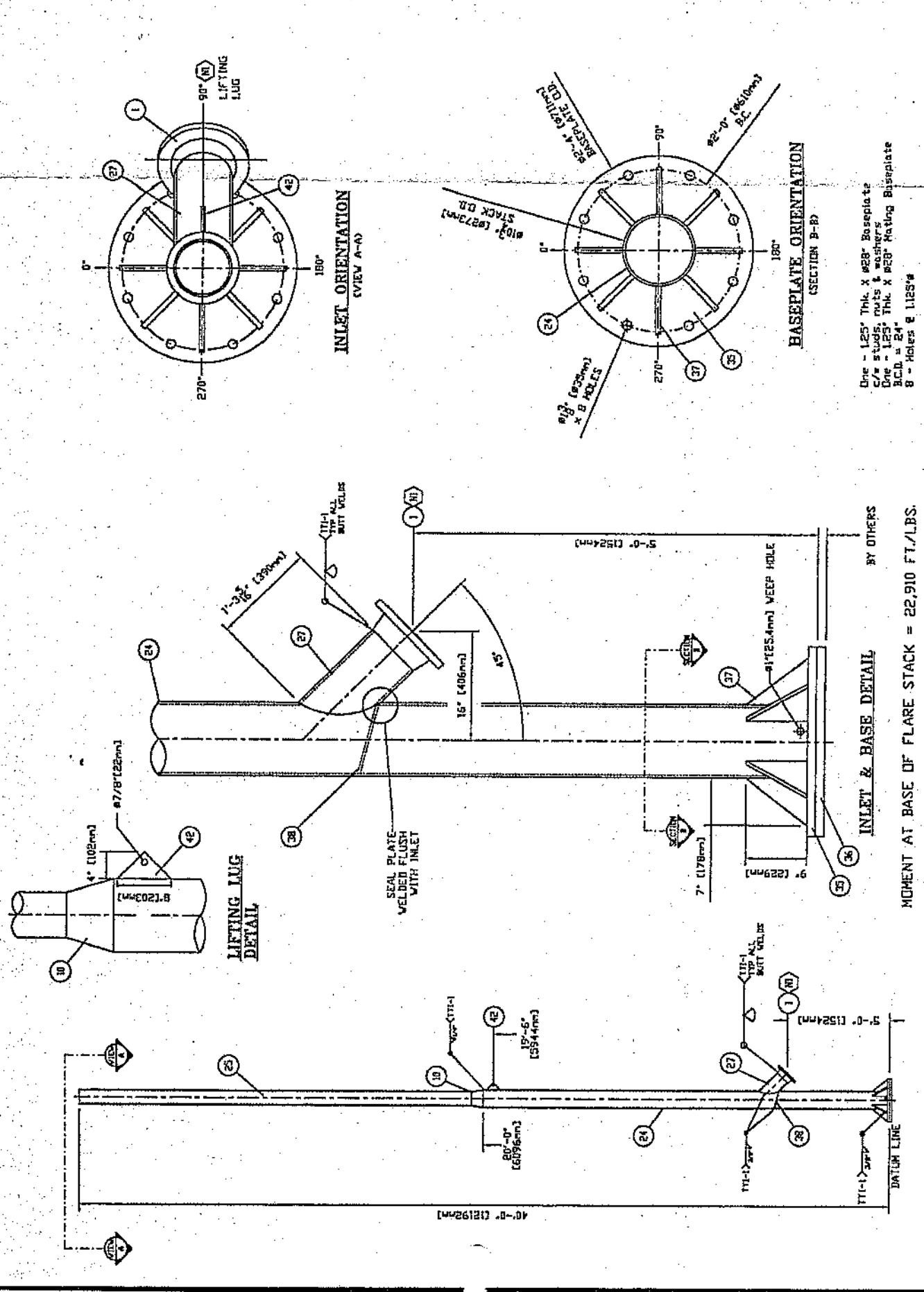


NOZZLE SCHEDULE AND WELD DETAILS

Weld Detail	Weld Procedure	Weld Detail	Weld Procedure	Weld Detail	Weld Procedure	Weld Detail	Weld Procedure	Weld Detail	Weld Procedure	Weld Detail	Weld Procedure
Weld Detail 1	TT-7	Weld Detail 2	TT-10	Weld Detail 3	TT-7	Weld Detail 4	TT-7	Weld Detail 5	TT-7	Weld Detail 6	TT-7
Mark No. NT	1	ANSI Rating Size SA105 150J RF	SA105 150J RF	O.D. of Nozzle Neck 8 5/8 (219)	16"	Welding Projection Inside Outside Detail Number A B C D	3.8	1/4"	1.27	Weld Neck	5'-0" (1524mm)
Flare Gas Inlet Conn.											



Bill of Materials

No.	Qty	Size	Desc	Spec	Mat	Remarks
1	1	1/2"	THK. SA 36 CS PLATE			BASEPLATE
2	1	1/2"	THK. SA 36 CS PLATE			MATING BASEPLATE
3	1	1/2"	THK. SA 36 CS PLATE			BASEPLATE GUSSET
4	1	1/2"	THK. SA 36 CS PLATE			SEAL PLATE
5	1	1/2"	THK. SA 36 CS PLATE			SEAL PLATE
6	1	1/2"	THK. SA 36 CS PLATE			SEAL PLATE
7	1	1/2"	THK. SA 36 CS PLATE			SEAL PLATE
8	1	1/2"	THK. SA 36 CS PLATE			SEAL PLATE
9	1	1/2"	THK. SA 36 CS PLATE			SEAL PLATE
10	1	1/2"	THK. SA 36 CS PLATE			SEAL PLATE
11	1	1/2"	THK. SA 36 CS PLATE			SEAL PLATE
12	1	1/2"	THK. SA 36 CS PLATE			SEAL PLATE
13	1	1/2"	THK. SA 36 CS PLATE			SEAL PLATE
14	1	1/2"	THK. SA 36 CS PLATE			SEAL PLATE
15	1	1/2"	THK. SA 36 CS PLATE			SEAL PLATE
16	1	1/2"	THK. SA 36 CS PLATE			SEAL PLATE
17	1	1/2"	THK. SA 36 CS PLATE			SEAL PLATE
18	1	1/2"	THK. SA 36 CS PLATE			SEAL PLATE
19	1	1/2"	THK. SA 36 CS PLATE			SEAL PLATE
20	1	1/2"	THK. SA 36 CS PLATE			SEAL PLATE
21	1	1/2"	THK. SA 36 CS PLATE			SEAL PLATE
22	1	1/2"	THK. SA 36 CS PLATE			SEAL PLATE
23	1	1/2"	THK. SA 36 CS PLATE			SEAL PLATE
24	1	1/2"	THK. SA 36 CS PLATE			SEAL PLATE
25	1	1/2"	THK. SA 36 CS PLATE			SEAL PLATE
26	1	1/2"	THK. SA 36 CS PLATE			SEAL PLATE
27	1	1/2"	THK. SA 36 CS PLATE			SEAL PLATE
28	1	1/2"	THK. SA 36 CS PLATE			SEAL PLATE
29	1	1/2"	THK. SA 36 CS PLATE			SEAL PLATE
30	1	1/2"	THK. SA 36 CS PLATE			SEAL PLATE
31	1	1/2"	THK. SA 36 CS PLATE			SEAL PLATE
32	1	1/2"	THK. SA 36 CS PLATE			SEAL PLATE
33	1	1/2"	THK. SA 36 CS PLATE			SEAL PLATE
34	1	1/2"	THK. SA 36 CS PLATE			SEAL PLATE
35	1	1/2"	THK. SA 36 CS PLATE			SEAL PLATE
36	1	1/2"	THK. SA 36 CS PLATE			SEAL PLATE
37	1	1/2"	THK. SA 36 CS PLATE			SEAL PLATE
38	1	1/2"	THK. SA 36 CS PLATE			SEAL PLATE
39	1	1/2"	THK. SA 36 CS PLATE			SEAL PLATE
40	1	1/2"	THK. SA 36 CS PLATE			SEAL PLATE
41	1	1/2"	THK. SA 36 CS PLATE			SEAL PLATE
42	1	1/2"	THK. SA 36 CS PLATE			SEAL PLATE
43	1	1/2"	THK. SA 36 CS PLATE			SEAL PLATE
44	1	1/2"	THK. SA 36 CS PLATE			SEAL PLATE
45	1	1/2"	THK. SA 36 CS PLATE			SEAL PLATE
46	1	1/2"	THK. SA 36 CS PLATE			SEAL PLATE
47	1	1/2"	THK. SA 36 CS PLATE			SEAL PLATE
48	1	1/2"	THK. SA 36 CS PLATE			SEAL PLATE
49	1	1/2"	THK. SA 36 CS PLATE			SEAL PLATE
50	1	1/2"	THK. SA 36 CS PLATE			SEAL PLATE
51	1	1/2"	THK. SA 36 CS PLATE			SEAL PLATE
52	1	1/2"	THK. SA 36 CS PLATE			SEAL PLATE
53	1	1/2"	THK. SA 36 CS PLATE			SEAL PLATE
54	1	1/2"	THK. SA 36 CS PLATE			SEAL PLATE
55	1	1/2"	THK. SA 36 CS PLATE			SEAL PLATE
56	1	1/2"	THK. SA 36 CS PLATE			SEAL PLATE
57	1	1/2"	THK. SA 36 CS PLATE			SEAL PLATE
58	1	1/2"	THK. SA 36 CS PLATE			SEAL PLATE
59	1	1/2"	THK. SA 36 CS PLATE			SEAL PLATE
60	1	1/2"	THK. SA 36 CS PLATE			SEAL PLATE

<p>ISSUED FOR APPROVAL PURPOSES</p> <p>Rev. Description</p> <p>EW 05 06 15</p> <p>By Y M D</p> <p>App Y M D</p>	<p>DESIGNER: TD</p> <p>MONITOR: N/A</p> <p>IMPACT TESTS: N/A</p> <p>DESIGN TEMP: N/A</p> <p>GENERAL NOTES: N/A</p>	<p>FABRICATION CONT</p> <p>TPS WPS: #1323.2</p> <p>DESIGN PRESS: N/A</p> <p>STRESS RELIEF: NO</p> <p>HYDRO TEST: NO</p> <p>INSULATION/TRACING: NO</p> <p>ALUM. CLADDING: NO</p> <p>MAG PARTICLE: NO</p> <p>RADIOGRAPHY: NO</p> <p>CORROSION ALLOWANCE: N/A</p> <p>CRS. No. N/A</p> <p>SFS No. N/A</p> <p>S.C. PROGRAM: AGP-1266</p> <p>P.M.H.Y. NO</p>	<p>FABRICATION</p> <p>DESIGNER: TD</p> <p>MONITOR: N/A</p> <p>IMPACT TESTS: NO</p> <p>DESIGN TEMP: NO</p> <p>GENERAL NOTES: NO</p>	<p>Ignition System</p> <p>Welding: 2,100 LBS.</p> <p>Paint: SANDBLAST SSPC-SP8 GLOSS BLACK FINISH</p> <p>Special Spec.:</p>	<p>DWG BY: DWG #:</p> <p>ENV: TRI-6784</p> <p>Date: 2005 06 15</p> <p>DESIGN BY: BR</p> <p>JOB # QUOTE #</p> <p>6784 680605A</p> <p>Scale: NTS</p>	<p>Customer: TRIDENT EXPLORATION CORP. c/o BDR Engineering Ltd.</p> <p>P.O. # 53956-9</p> <p>REV. MICHIGI, ALBERTA 16-08-31-19 W4M</p>	<p>Tornado Technologies Inc.</p> <p>PH (403)883-2400</p> <p>FAX (403)883-2550</p> <p>TOLL FREE 1-800-661-4128</p>
---	--	--	--	---	--	--	---

MILE COPY

POWER DAMBERGER ROLSETH ENGINEERING LTD.

JUN 29 2005

APPROVED WITH COMMENTS
 REVISION AND RESUBMIT