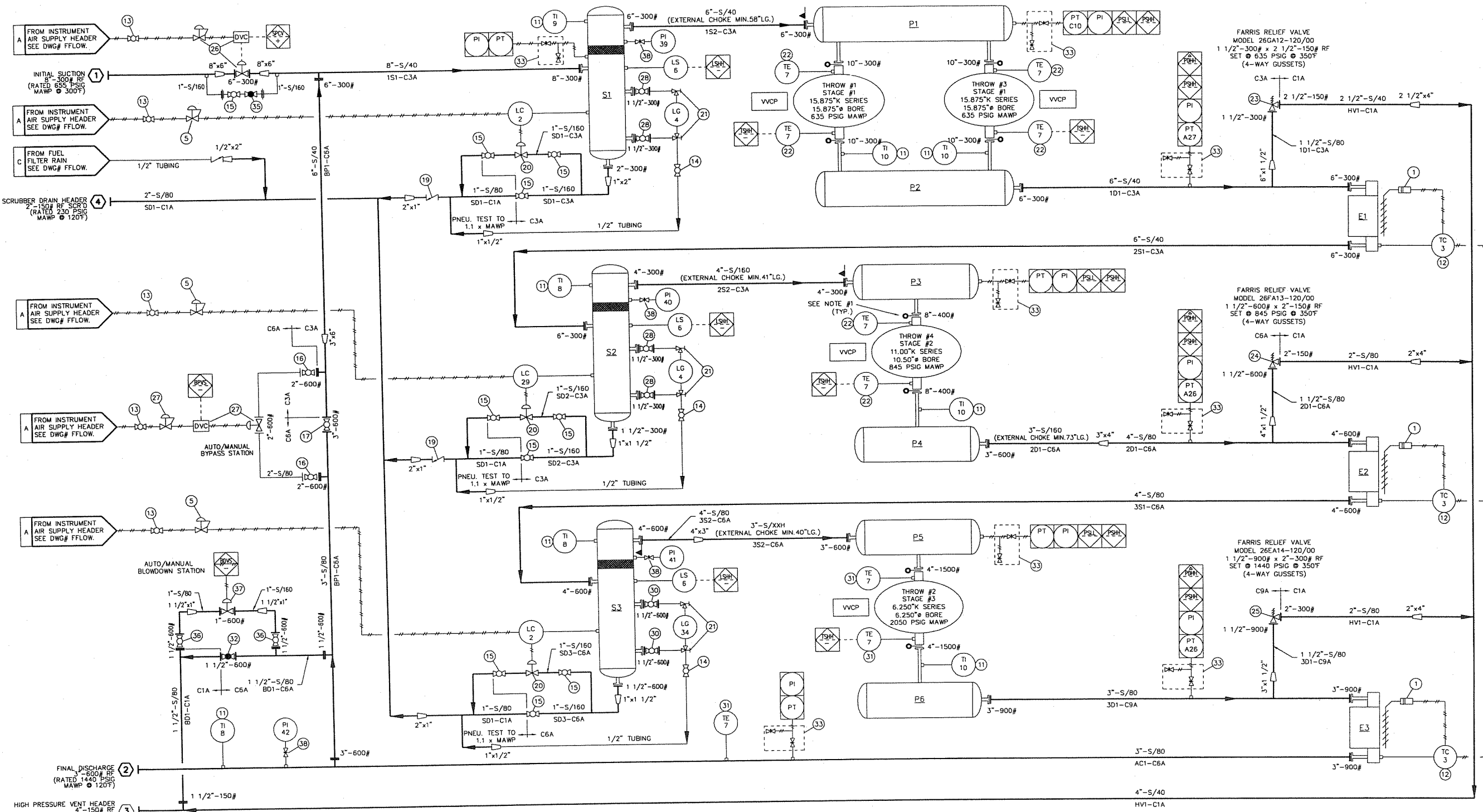


S1 SUCTION SCRUBBER 30" x 72" S/S 655 PSIG MAWP @ 300°F 1/16" CORROSION ALLOWANCE S/N: 3137351	S2 INTERSTAGE #1 SCRUBBER 24" x 66" S/S 655 PSIG MAWP @ 300°F 1/16" CORROSION ALLOWANCE S/N: 3137352	S3 INTERSTAGE #2 SCRUBBER 18" x 60" S/S 1315 PSIG MAWP @ 300°F 1/16" CORROSION ALLOWANCE S/N: 3137353	P1 STAGE #1 SUCTION BOTTLE 24" x 66" S/S 655 PSIG MAWP @ 300°F 1/16" CORROSION ALLOWANCE S/N: 31373P1	P2 STAGE #1 DISCHARGE BOTTLE 20" x 66" S/S 645 PSIG MAWP @ 350°F 1/16" CORROSION ALLOWANCE S/N: 31373P2	P3 STAGE #2 SUCTION BOTTLE 24" x 32" S/S 655 PSIG MAWP @ 300°F 1/16" CORROSION ALLOWANCE S/N: 31373P3	P4 STAGE #2 DISCHARGE BOTTLE 20" x 24" S/S 860 PSIG MAWP @ 350°F 1/16" CORROSION ALLOWANCE S/N: 31373P4	P5 STAGE #2 SUCTION BOTTLE 18" x 28" S/S 1315 PSIG MAWP @ 300°F 1/16" CORROSION ALLOWANCE S/N: 31373P5	P6 STAGE #3 DISCHARGE BOTTLE 18" x 30" S/S 1440 PSIG MAWP @ 350°F 1/16" CORROSION ALLOWANCE S/N: 31373P6	E1 I.C.1 COOLER SECTION 645 PSIG MAWP @ 350/-20°F 1/16" CORROSION ALLOWANCE	E2 I.C.2 COOLER SECTION 1292 PSIG MAWP @ 350/-20°F 1/16" CORROSION ALLOWANCE	E3 A.C. COOLER SECTION 1440 PSIG MAWP @ 350/-20°F 1/16" CORROSION ALLOWANCE
---	---	--	--	--	--	--	---	---	--	---	--



TOROMONT ENERGY SYSTEMS

DEC 07 2005
AS BUILT

PER _____

PROPRIETARY MATERIAL
 NOT TO BE REPRODUCED OR DISTRIBUTED
 WITHOUT THE PRIOR WRITTEN CONSENT OF
 TOROMONT ENERGY SYSTEMS INC.

MATERIAL SPECIFICATIONS:

PAINT: OVERALL UNIT: VALSPAR 20-F-34 "WARM GREY".

PRIMER: COMMERCIAL IRON OXIDE NON-LIFTING PRIMER.

PROCESS PIPING: 5% X-RAY, 1/16" CORROSION ALLOWANCE, SANDBLAST PIPING & VESSELS AFTER SUCTION SCREEN.

VESSELS: RT2, 1/16" CORROSION ALLOWANCE.

OIL: ESSOLUBE GMA-40 IN ENGINE & COMPRESSOR FRAME.

GLYCOL: 50% ETHYLENE INHIBITED GLYCOL/WATER SOLUTION IN ENGINE & AUXILIARY JACKET WATER SYSTEMS.

BILL OF MATERIALS: ON SEPARATE SHEET PROVIDED WITH DRAWING.

TUBING SERVICES

SWEET:	PROCESS	304 (SS)	ZINC PLATED (S)
	UTILITY - CONTACTING PROCESS	304 (SS)	ZINC PLATED (S)
	INSTRUMENT	304 (SS)	ZINC PLATED (S)
	FRAME INTERNALS	304 (SS)	ZINC PLATED (S)

NOTE #1: SPACER PLATES ARE PROVIDED FOR FUTURE INSTALLATION OF ORIFICE PLATES (IF REQUIRED).

NOTE #2: ALL THREADED PIPING ON SCRUBBERS IS SCH. 160.

NOTE #3: VESSELS REGISTERED IN AB, BC AND SK.

NOTE #4: BOLTING ON ALL PROCESS FLANGE CONNECTIONS IS: SA-193-B7 STUDS, SA-194-2H NUTS & 316ss GASKETS.

NOTE #5: INSTRUMENT AIR DEVICES TO BE VENTED LOCALLY TO ATMOSPHERE (NO HEADER).

NOTE #6: -

NOTE #7: -

GENERAL INFORMATION:

COMPR. FRAME: - ARIEL JGK/4-3
- RATED RPM = 1200
- SERIAL NUMBER = F-21081

ENGINE: - CAT 3516 TAW-LE
- RATED 1085 HP @ 1200 RPM
- SERIAL NUMBER = 4EK04311

PANEL: - SPARTAN CONTROLS - REMVUE 500S
- SERIAL NUMBER = RM-13265-AA

COOLER: - AIR-X-HEMPHILL - 1562F
- SERIAL NUMBER = 56088A

CYLINDERS: - THROW #1 - SERIAL NUMBER = C-67235
- THROW #2 - SERIAL NUMBER = C-67237
- THROW #3 - SERIAL NUMBER = C-67235
- THROW #4 - SERIAL NUMBER = C-67234

LEGEND:

- PROCESS
- UTILITY
- PNEUMATIC TUBING
- ELECTRIC WIRING
- SPACER
- SPECTACLE BLIND
- ▲ SCREEN (CONE STRAINER)

	PANEL CONNECTION - PNEUMATIC
	PANEL CONNECTION - ELECTRIC
	PANEL ALARM / SHUTDOWN
	LOCAL MOUNTED INSTRUMENT
	PANEL MOUNTED INSTRUMENT
	PNEUMATIC TO ELECTRIC
	ENGINE CONNECTION

NOTE: SWEET PROCESS GAS

4	-	-	-
3	-	-	-
2	AS BUILT	09/15/05	VS
1	ISSUED FOR CONSTRUCTION	06/20/05	VS
0	ISSUED FOR APPROVAL	05/25/05	VS

No. _____ REVISION _____ DATE _____ BY _____

PROPRIETARY MATERIAL: NOT TO BE REPRODUCED OR DISTRIBUTED WITHOUT THE PRIOR WRITTEN CONSENT OF TOROMONT ENERGY SYSTEMS.

TOROMONT ENERGY SYSTEMS	10121 - BARLOW TRAIL N.E. CALGARY ALBERTA CANADA
TITLE: PROCESS FLOW DIAGRAM	CUSTOMER: TRIDENT EXPLORATION CORP.
CATERPILLAR 3516 TAW-LE / ARIEL JGK/4-3 AIR-X-HEMPHILL 1562F	c/o BDR ENGINEERING LTD CBM COMPRESSOR STATION
SCALE: NONE	DATE: 05/25/05
STEP # 453	UNIT # 31373
DRAWING NO.: 31373-PFLOW	RELEASED BY: pmg
	REV. 2