

SKID GENERAL NOTES:

- LSD: 13-29-33-21 W4 M
- ELECTRICAL CLASSIFICATION: CLASS 1, DIV. II, GROUP D
- MINIMUM DESIGN INDOOR TEMPERATURE: 60 DEG.F
- MAXIMUM DESIGN AMBIENT TEMPERATURE: 97 DEG.F
- START GAS CONSUMPTION: 1391 SCFM @ 60 PSIG
- 2028 SCFM @ 90 PSIG
- INSTRUMENT GAS CONSUMPTION: 500 SCFH
- ATMOSPHERIC PRESSURE: 13.4 PSIA
- ELEVATION: 2500 FT. DESIGN
- EXHAUST STACK 1.2 TIMES PEAK HEIGHT

FLUID VOLUMES

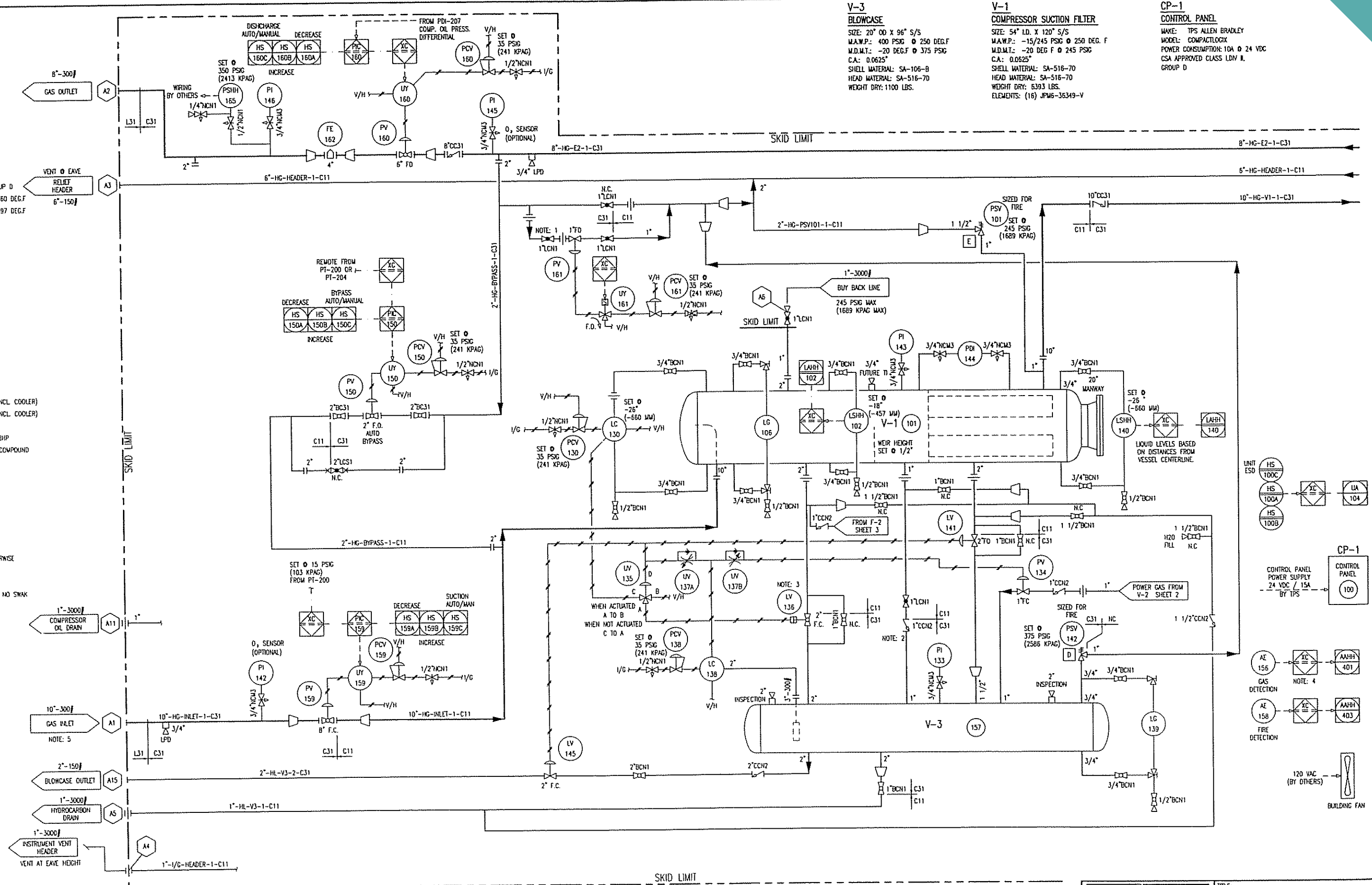
- FLUID VOLUMES BASED ON DAY TANKS 1/2 FULL
- COMPRESSOR SYSTEM OIL CHARGE: 225 USGAL
 - COMPRESSOR OIL TYPE: S5-100
 - ENGINE OIL CHARGE: 112 USGAL ENGINE ONLY
 - ENGINE OIL TYPE: SAE40
 - ENGINE JACKET COOLANT CAPACITY: 180 USGAL (INCL COOLER)
 - ENGINE TURBO COOLANT CAPACITY: 240 USGAL (INCL COOLER)
 - ENGINE COOLANT: 50/50 ETHYLENE GLYCOL
 - FUEL GAS CONSUMPTION: 19270 SCFH @ 1150 BHP
 - GEAR BOX OIL TYPE: CHEVRON E.P. 150 150 GEAR COMPOUND
 - GEAR BOX OIL CAPACITY: 15 USGAL

CUSTOMER INTERFACE

- INPUTS TO CUSTOMER: RUN STATUS CONTACTS

INSTRUMENTATION NOTE:

- ALL TUBING SIZE ON SIZE UNLESS INDICATED OTHERWISE
- MINIMUM 3/8"
- ALL TUBING TO BE 316SS SEAMLESS
- JET LUBE TFE-15 AND TEFLON TAPE TO BE USED, NO SWAG



V-3 BLOWCASE
 SIZE: 20" OD X 96" S/S
 M.A.W.P.: 400 PSIG @ 250 DEG.F
 M.D.M.T.: -20 DEG.F @ 375 PSIG
 C.A.: 0.0625"
 SHELL MATERIAL: SA-106-B
 HEAD MATERIAL: SA-516-70
 WEIGHT DRY: 1100 LBS.

V-1 COMPRESSOR SUCTION FILTER
 SIZE: 54" LD. X 120" S/S
 M.A.W.P.: -15/245 PSIG @ 250 DEG. F
 M.D.M.T.: -20 DEG F @ 245 PSIG
 C.A.: 0.0625"
 SHELL MATERIAL: SA-516-70
 HEAD MATERIAL: SA-516-70
 WEIGHT DRY: 6393 LBS.
 ELEMENTS: (16) JPM6-36349-V

CP-1 CONTROL PANEL
 MAKE: TPS ALLEN BRADLEY
 MODEL: COMPACTLOCK
 POWER CONSUMPTION: 10A @ 24 VDC
 CSA APPROVED CLASS I, DIV II, GROUP D

- NOTE: 1 ADJUST VALVE TO CONTROL BLOWDOWN RATE
- NOTE: 2 INSTALL CHECK AS LOW AS POSSIBLE
- NOTE: 3 LOCATE VALVE AS CLOSE TO BLOWCASE AS POSSIBLE
- NOTE: 4 TUBE CALIBRATION CONNECTION TO OUTSIDE OF BUILDING DISPLAY TO BE LOCATED INSIDE BUILDING
- NOTE: 5 INLET SPOOL UPSTREAM OF PV-159 DESIGNED TO 300# ANSI RATING (740 PSIG)

REV.	DESCRIPTION	DATE	BY	APPR.
2	AS BUILT	MAR 13/06	RH	DR
1	ISSUED FOR CONSTRUCTION	OCT.31/05	PN	GM

PERMIT TO PRACTICE STAMP

ENGINEER STAMP

DRAWN BY: P. NOBLE	DATE: OCT. 31, 2005
CHKD. BY: G. MORRIS	SCALE: NTS
APPR. BY: D. ROUSSEAU	W.D. No: 11920101
CUST. PO No:	

TITLE: P & I FLOW DIAGRAM

FOR: HUSKY ENERGY
1150 HP TDSH-355L
BOOSTER COMPRESSOR
K-700

DWG. No: 11920-101

SHEET No: 1 OF 4

REV: 2



C-1 GAS COMPRESSOR

FRICK: TDSH-355L
OPERATING SPEED: 3075 RPM
DESIGN SUCTION PRESSURE: SEE CURVES
DESIGN DISCHARGE PRESSURE: SEE CURVES
OIL TEMPERATURE: 160 DEG F
POWER DRAW: SEE CURVES
WEIGHT DRY: 8240 LBS

F-1 OIL FILTER

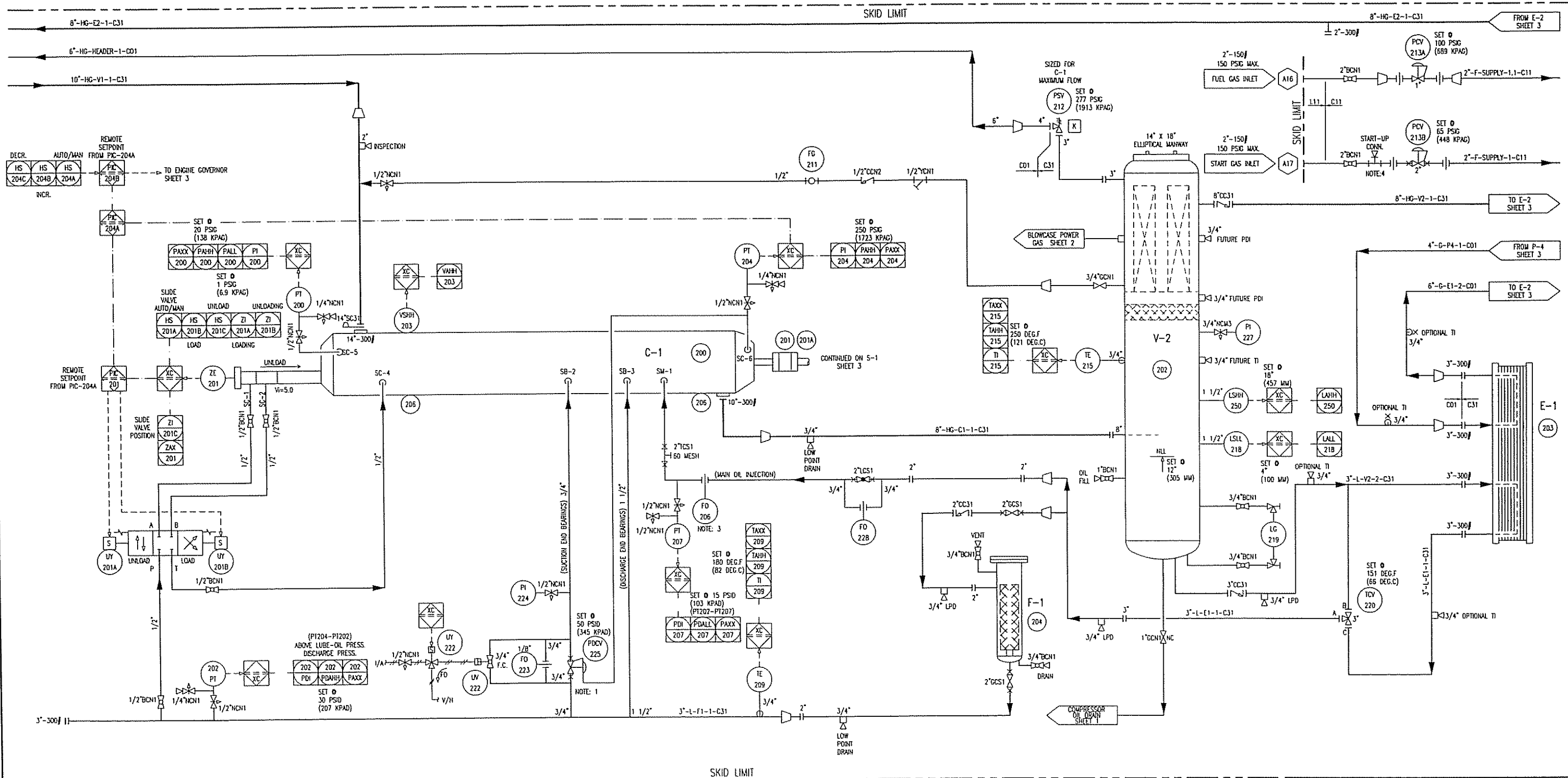
SIZE: 8 5/8" O.D. X 26" S/F
MANP: 400 PSIG @ 250 DEG.F
MDMT: -20 DEG.F @ 400 PSIG
CA: 0.0625"
SHELL MATERIAL: SA-106B
HEAD MATERIAL: SA-516-70
ELEMENT: MODEL 1833CDS 5 MICRON
WEIGHT DRY: 275 LBS.

V-2 OIL SEPARATOR

SIZE: 48" L.D. X 102" S/S
MANP: 400 PSIG @ 250 DEG.F
MDMT: -20 DEG.F @ 350 PSIG
CA: 0.0625"
SHELL MATERIAL: SA-516-70
HEAD MATERIAL: SA-516-70
ELEMENT: (7) RSC1175-3
WEIGHT: 6520 LBS.

E-1 OIL COOLER

MODEL: VXH-46-SS-FS-1-150
PLATES: 145
MANP OIL SIDE: 400 PSIG @ 250 DEG.F
MANP GLYCOL SIDE: 400 PSIG @ 250 DEG.F
DESIGN DUTY: 2566873 BTU/HR
SURFACE AREA: 708 SQ.FT.
WEIGHT: 3217 LBS.



NOTE:1 BLOCK INTERNAL PORT ON PCV-225
NOTE:3 ORIFICE SUPPLIED WITH COMPRESSOR
NOTE:4 START UP TO BE 1 1/2" CONNECTION

Table containing project information: TITLE (P & I FLOW DIAGRAM), DRAWN BY (P. NOBLE), DATE (OCT. 31, 2005), FOR (HUSKY ENERGY), and a revision table with columns for REV., DESCRIPTION, DATE, BY, and APPR.

H-1 BUILDING HEATER
 CATADYNE
 MODEL: MX 24 X 48
 120 VAC STARTER
 OUTPUT: 32000 BTU/HR C/W
 PRESSURE REGULATOR
 THERMOSTAT AND SAFETY SHUT OFF
 WEIGHT: 100 LBS

F-2 FUEL GAS FILTER
 TYPE: FINITE
 MODEL: FH4S-10CN
 WAMP: 500 PSIG @ 175 DEG.F
 SHELL MATERIAL: ALUMINUM
 HEAD MATERIAL: ALUMINUM
 ELEMENT: 10C15-060
 WEIGHT: 10 LBS.

P-5 GLYCOL TRANSFER PUMP
 MAKE: WARREN RUPP
 MODEL: GOSB1ABTXNSK00
 INLET GAS PRESS.: 100 PSIG MAX
 FLOW: 5 GPM @ 20 PSIG
 FLUID: 50/50 GLYCOL
 WEIGHT: 15 LBS

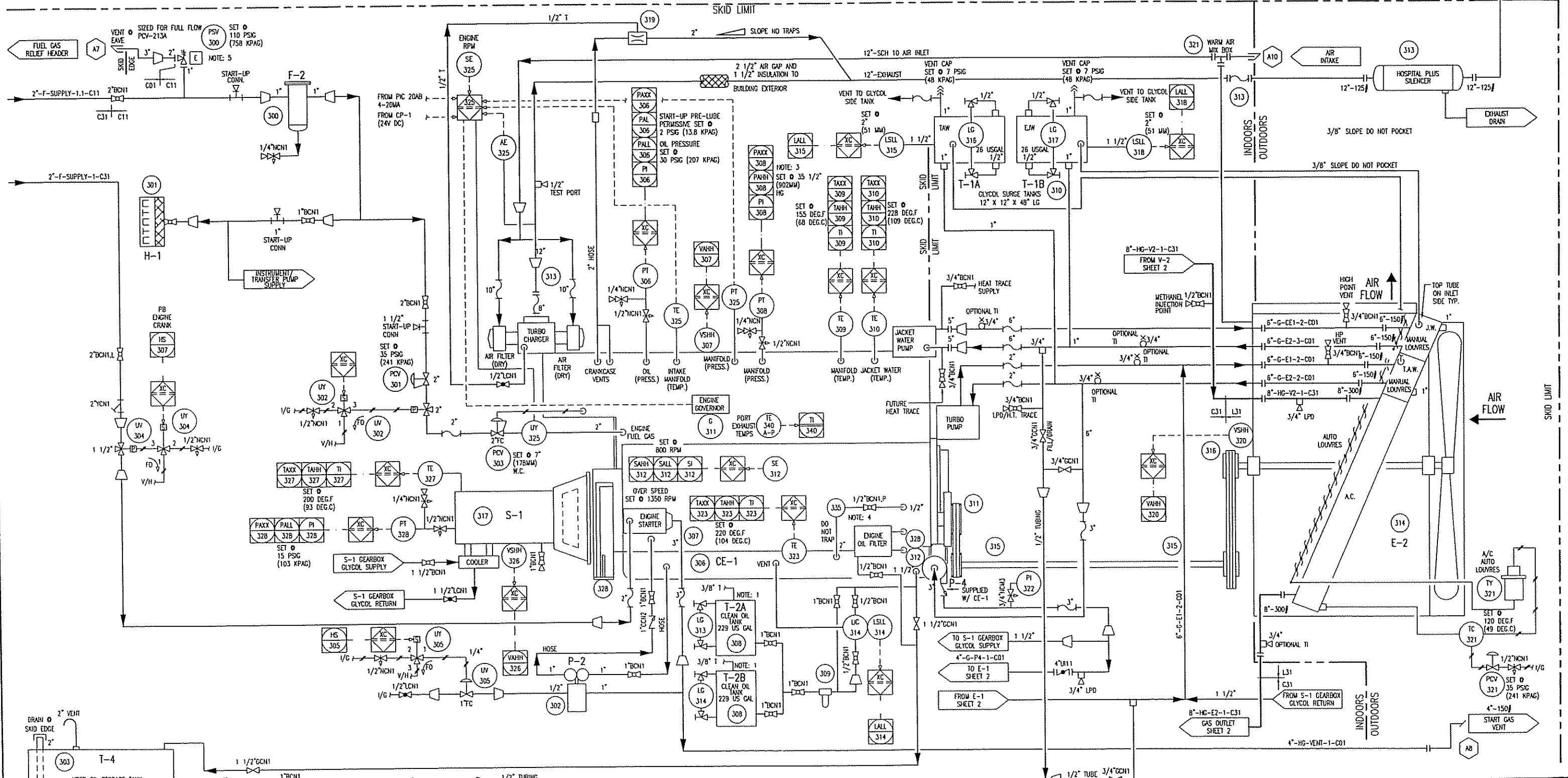
S-1 SPEED INCREASER
 MAKE: PACIFIC RM
 MODEL: EMP8 0800B-DB
 RATIO: 1: 2.787
 INPUT: 1200 RPM
 OUTPUT: 3344 RPM
 SAE "00" BELLHOUSING
 WEIGHT: 3000 LBS

P-2 ENGINE PRE-LUBE PUMP
 MAKE: WARREN RUPP
 MODEL: G1FB1ABTXNSK00
 INLET GAS PRESSURE: 100 PSIG MAX.
 FLOW: 25 GPM @ 20 PSIG
 FLUID: SAE-40 LUBE OIL
 WEIGHT: 28 LBS

CE-1 NATURAL GAS ENGINE
 TYPE: CATERPILLAR 3516 ATRC
 BORE: 5.7"
 STROKE: 7.5"
 DISPLACEMENT: 4211 CU. IN.
 COMPRESSION RATIO: 8 : 1
 BHP (RATED): 1150 HP @ 1200 RPM
 WEIGHT: 17670 LBS

P-4 GLYCOL CIRCULATION PUMP
 MAKE: CATERPILLAR
 MODEL: BNB465
 PRESSURE: 40 FT HEAD
 FLOW: 200 GPM
 FLUID: 50/50 GLYCOL
 OPERATING SPEED: 2254 RPM

E-2 COMPRESSOR AFTERCOOLER/OIL COOLER/GLYCOL COOLER
 TYPE: AIR-X CHANGER
 MODEL: 144H-110-22
 AFTERCOOLER COIL: 350 PSIG @ 350 DEG.F
 WDMT: -20 DEG.F @ 350 PSIG
 DUTY: 1122619 Btu/HR
 WAMP: 14 PSIG @ 300 DEG.F
 GLYCOL COIL: 300 PSIG @ 300 DEG.F
 (TURBO/OIL COOLER GLYCOL) DUTY: 3799088 Btu/HR
 FAN MOORE
 MODEL: CL10K
 FAN SPEED: 270 RPM
 TOTAL AIR FLOW: 200639 scfm
 POWER DRAW: 55 HP
 DESIGN AMBIENT: 97 DEG.F
 WEIGHT: 21050 LBS.



- NOTE 1: CLEAN OIL TANKS VENTED TO USED OIL TANK.
- NOTE 2: MOUNT ARRANGEMENT AS CLOSE AS POSSIBLE TO PUMP DISCHARGE.
- NOTE 3: SET POINT DEPENDS ON SITE CONDITIONS.
- NOTE 4: SUPPLY SHOULD BE AS CLOSE TO PUMP DISCHARGE AS POSSIBLE, UP STREAM OF OIL FILTERS.
- NOTE 5: OIL RETURN PORT MUST ENTER C.C. ABOVE OIL LEVEL.
- NOTE 6: SYSTEM WAMP IS 245 PSIG, PSV SET @ 110 PSIG.
- NOTE 7: RELIEF TO RETURN TO SUPPLY TANK OR INTO SUPPLY LINE UPSTREAM OF ANY ISOLATION VALVES.

REV.	DESCRIPTION	DATE	BY	APPR.
2	AS BUILT	MAR 13/06	RH	DR
1	ISSUED FOR CONSTRUCTION	OCT.31/05	PN	GM

PERMIT TO PRACTICE STAMP

ENGINEER STAMP

TOROMONT		TITLE: P & I FLOW DIAGRAM	
FOR: HUSKY ENERGY	1150 HP TDSh-355L	DWG. No: 11920-101	SHEET No: 3 OF 4
REV: 2			

DRAWN BY: P. NOBLE
 CHKD. BY: G. MORRIS
 APPR. BY: D. ROUSSEAU
 DATE: OCT.31, 2005
 SCALE: NTS
 W.D. No: 11920101
 CUST. PO No:

LINE IDENTIFICATION

Aⁿ-B-CD-E-FGH-IJ,K

- A :** NOMINAL LINE SIZE IN INCHES
- B :** FLUID
 FG FUEL GAS
 G GLYCOL
 HG HYDROCARBON GAS
 HL HYDROCARBON LIQUID
 I/A INSTRUMENT AIR
 I/G INSTRUMENT GAS
 L LUBE OIL (COMPRESSOR)
 W COOLING WATER
- C :** EQUIPMENT TYPE
 C COMPRESSOR
 E EXCHANGER
 F FILTER
 G GENERATOR
 H HEATER
 P PUMP
 S SPEED INCREASER
 T TANK
 V PRESSURE VESSEL
- MODIFIER**
 E ENGINE
 M MOTOR
- D :** EQUIPMENT NUMBER:
 1 TO 9 SEQUENTIAL NUMBERS
- E :** LINE NUMBER:
 1 TO 9 SEQUENTIAL NUMBERS FROM EQUIPMENT
- FGH :** PIPING SPECIFICATION
- F :** MATERIAL GROUP
 C CARBON STEEL
 L LOW TEMPERATURE CARBON STEEL
 S STAINLESS STEEL
- G :** ANSI 16.5 FLANGE CLASS
 0 NON CODE
 1 150#
 3 300#
 6 600#
 9 900#
 15 1500#
 25 2500#
- H :** LINE MATERIAL SPECIFICATION REFERENCE:
 1 TO 9 SEQUENTIAL NUMBERS
- I :** INSULATION TYPE (IF REQUIRED)
 C COLD
 H HOT
 HC HOT/COLD
 HT HEAT TRACING
 PP PERSONAL PROTECTION
- J :** INSULATION THICKNESS (IF REQUIRED)
 THICKNESS IN MILLIMETERS OR INCHES
- K :** TRACING (IF REQUIRED)
 ET ELECTRICAL TRACING
 GT GLYCOL TRACING
 ST STEAM TRACING

EXAMPLE: 3ⁿ-HG-V1-2-C11-HTXX,ET

3ⁿ - LINE SIZE
 HG - HYDROCARBON GAS
 V1 - PRESSURE VESSEL TAG NUMBER (V-1)
 2 - SECOND LINE FROM VESSEL
 C11 - C CARBON STEEL LINE
 1 150# ANSI FLANGE RATING
 1 LINE MATERIAL SPECIFICATION REFERENCE
 HT - HEAT TRACING INSULATION
 XX - THICKNESS IN MILLIMETERS OR INCHES (?)
 ET - ELECTRIC TRACING

VALVE IDENTIFICATION

AⁿBCDE,F

- A :** NOMINAL VALVE SIZE IN INCHES
- B :** TYPE
 A ANGLE GLOBE P NEEDLE
 B BALL P PLUG
 C CHECK S START-UP STRAINER
 G GATE T TEE STRAINER
 L GLOBE U BUTTERFLY
 M MANIFOLD Y Y PATTERN STRAINER
- C :** BODY MATERIAL
 B BRONZE L LOW TEMP. CARBON STEEL
 C CARBON STEEL S STAINLESS STEEL
 I CAST IRON
- D :** END CONNECTIONS
 1 FLANGED 150# B BUTT WELD
 3 FLANGED 300# C SW BY NPT
 6 FLANGED 600# F NPT BY FLANGE (MANIFOLD)
 9 FLANGED 900# M NPT MALL BY NPT FEMALE
 15 FLANGED 1500# N NPT (THREADED)
 25 FLANGED 2500# S SW (SOCKETWELD)
 T TUBE (SWAGELOCK)
- E :** UNIQUE DESCRIPTION
 REFER TO VALVE DATA SHEETS
- F :** MODIFIER
 C CHAIN OPERATOR O OXYGEN SERVICE/CLEANING
 E EXTENDED BONNET P FULL PORT DESIGN
 G GEAR OPERATOR R RTJ FLANGED
 L LOCKING DEVICE S SPRING HANDLE (CLOSE)
 N NACE TRIM X SPECIAL SPECIFICATIONS

EXAMPLE: 6ⁿCC11,C
 6ⁿ VALVE SIZE 1 150#
 C GATE 1 API-600
 C CARBON STEEL C CHAIN OPERATOR

VALVE TYPES

- ANGLE GLOBE VALVE
 BALL VALVE
 BUTTERFLY VALVE
 CHECK VALVE
 GATE VALVE
 GLOBE VALVE
 NEEDLE VALVE
 PLUG VALVE
 3-WAY VALVE
 4-WAY VALVE
 VALVE W/BLEED
 VALVE W/PLUG

VALVE CONNECTIONS

- THREADED
 WELDED (BUTT OR SOCKET)
 THREADED BY WELDED
 FLANGED

LINE CODE

- PRIMARY PROCESS LINE
 SECONDARY PROCESS LINE
 INSTRUMENT PROCESS LINE (TUBING)
 BY OTHERS
 SKID LIMIT
 PNEUMATIC SIGNAL
 ELECTRIC SIGNAL
 CAPILLARY TUBING
 INSTRUMENT SYSTEM LINK (ELECTRONIC MEMORY SHARING)

CONTROL VALVES

- POSITIONER DIAPHRAGM CONTROL VALVE
 OUTLET PRESSURE REGULATOR (SELF-CONTAINED)
 INLET PRESSURE REGULATOR (SELF-CONTAINED)
 PRESSURE DIFFERENTIAL CONTROL VALVE (SELF-CONTAINED)
 TWO-WAY SOLENOID VALVE
 THREE-WAY SOLENOID VALVE
 MOTOR ACTUATOR
 HYDRAULIC/PNEUMATIC PISTON OPERATED

MISCELLANEOUS

- PRESSURE SAFETY/RELIEF VALVE
 DESIGNATES API ORIFICE SIZE
 RUPTURE DISC FOR PRESSURE RELIEF
 RUPTURE DISC FOR VACUUM RELIEF
 SPECTACLE BLIND (LINE OPEN)
 SPECTACLE BLIND (LINE CLOSED)
 CONE START-UP STRAINER
 BASKET START-UP STRAINER
 Y-PATTERN STRAINER
 TEE STRAINER
 FLEXIBLE CONNECTION
 CONTINUOUS LIQUID DRAINER OR STEAM TRAP
 VORTEX BREAKER
 DIAPHRAM SEAL
 SKID TIE-POINTS
 OPEN DRAIN
 INSULATION TYPE
 ELECTRIC HEAT TRACE
 GLYCOL OR STEAM HEAT TRACE

FIRST LETTER	SUCCEEDING LETTERS	INSTRUMENT IDENTIFICATION GENERAL REFERENCE (ISA - S5.1)											
		PRIMARY ELEMENT	INDICATOR	RECORDER	CONTROLLER			TRANS-MITTER	CONTROL		CONTROL VALVE OR REGULATOR	SELF-ACTIVATED VALVE	RELAY OR CONVERTOR
					BLIND	INDICATING	RECORDING		SWITCH	ALARM			
A	ANALYSIS	AE	AI	AR	AC	AIC	ARC	AT	AS()	AA()	AV		AY
B	USER'S CHOICE												
C	CONDUCTIVITY	CE	CI	CR	CC	CIC	CRC	CT	CS()	CA()	CV		CY
D	DENSITY OR MASS (DIFFERENTIAL)	DE	DI	DR	DC	DIC	DRC	DT	DS()	DA()	DV		DY
E	VOLTAGE	EE	EI	ER	EC	EIC	ERC	ET	ES()	EA()	EV		EY
F	FLOW (RATIO OR FRACTION)	FE	FI	FR	FC	FIC	FRC	FT	FS()	FA()	FV	FCV	FY
G	GAUGING	GE	GI	GR	GC	GIC	GRC	GT	GS()	GA()	GV		
H	HAND				HC	HIC	HRC	HT	HS()		HV	HCV	HY
I	CURRENT	IE	II	IR	IC	IIC	IRC	IT	IS()	IA()			IY
J	POWER (SCAN)	JE	JI	JR	JC	JIC	JRC	JT	JS()	JA()			JY
K	TIME				KC	KIC	KRC	KT	KS()	KA()	KV		KY
L	LEVEL	LE	LI	LR	LC	LIC	LRC	LT	LS()	LA()	LV	LCV	LY
M	MOISTURE, HUMIDITY	ME	MI	MR	MC	MIC	MRC	MT	MS()	MA()	MV		MY
N	USER'S CHOICE												
O	USER'S CHOICE												
P	PRESSURE OR VACUUM	PE	PI	PR	PC	PIC	PRC	PT	PS()	PA()	PV	PCV	PY
Q	QUANTITY OR EVENT (INTEGRATE/TOTALIZE)		QI	QR	QC	QIC	QRC	QT	QS()	QA()	QV		QY
R	RELIEF OR RESTRICTION	RE	RI	RR	RC	RIC	RRC	RT	RS()	RA()			RY
S	SPEED OR FREQUENCY		SI	SR	SC	SIC	SRC	ST	SS()	SA()			SY
T	TEMPERATURE	TE	TI	TR	TC	TIC	TRC	TT	TS()	TA()	TV	TCV	TY
U	MULTI-VARIABLE		UI	UR	UC	UIC	URC				UV		
V	VIBRATION	VE	VI	VR	VC	VIC	VRC	VT	VS()	VA()	VV		VY
W	WEIGHT OR FORCE	WE	WI	WR	WC	WIC	WRC	WT	WS()	WA()	WV		WY
X	LIGHT	XE	XI	XR	XC	XIC	XRC	XT	XS()	XA()	XV		XY
Y	USER'S CHOICE												YY
Z	POSITION	ZE	ZI	ZR	ZC	ZIC	ZRC	ZT	ZS()	ZA()			ZY

INSTRUMENTS

- LOCAL MOUNTED
 LOCAL PANEL MOUNTED
 MOUNTED BEHIND OR IN LOCAL PANEL
 MAIN PANEL MOUNTED
 MOUNTED BEHIND OR IN MAIN PANEL
 MAIN MACHINE INTERFACE IN MAIN PANEL
 BY OTHERS
 PILOT LIGHT
 * COLOUR
 (A) AMBER (B) BLUE
 (C) GREEN (D) ORANGE
 (R) RED (W) WHITE
- RELAY OR CONVERTER
 * FOR INPUT/OUTPUT SEQUENCES
 DESIGNATION: SIGNAL:
 I CURRENT (ELECTRICAL)
 P PNEUMATIC
- PROGRAMMABLE LOGIC CONTROLLER (PLC)
 XC REPRESENTS GENERAL LOGIC
- INTERLOCK
 ELECTRICAL (HARD WIRE) INTERLOCK
- THERMOWELL (THREADED)
 THERMOWELL (WELDED)

(C) -CLOSE (O) -OPEN
 (H) -HIGH ALARM (L) -LOW ALARM
 (HH) -HIGH SHUTDOWN (LL) -LOW SHUTDOWN
 (XX) -DIAGNOSTIC SHUTDOWN (USED TO INDICATE THE DIAGNOSTIC CHECK REQ'D ON THE ANALOG INPUT)

ABBREVIATIONS

- AOUT AUTOMATIC OUTPUT
 CA CORROSION ALLOWANCE
 CSO CAR SEAL OPEN
 CUST CUSTOMER
 DEG.C DEGREES CELSIUS
 DEG.F DEGREES FARENHEIT
 DIR DIRECT ACTING
 DB DEADBAND
 Δ DELTA (DIFFERENTIAL)
 ESD EMERGENCY SHUTDOWN
 FC FAIL CLOSED
 FO FAIL OPEN
 FOT FLAT ON TOP
 FLP FAIL LAST POSITION
 FT2 SQUARE FEET
 FT3 CUBIC FEET
 HI HIGH
 HLL HIGH LIQUID LEVEL
 HR HOUR
 HTR HEATER
 I/A INSTRUMENT AIR
 I/G INSTRUMENT GAS
 I/O INPUT / OUTPUT
 I.D. INSIDE DIAMETER
 KGS KILOGRAMS
 KPAA KILOPASCAL ABSOLUTE
 KPAD KILOPASCAL DIFFERENTIAL
 KPAG KILOPASCAL GAUGE
 KW KILOWATTS
 LBS POUNDS
 LC LOCKED CLOSED
 LO LOCKED OPEN
 LP LOCKED IN POSITION
- M2 SQUARE METERS
 M3 CUBIC METERS
 MAX MAXIMUM
 MAWP MAXIMUM ALLOWABLE WORKING PRESSURE
 MCC MOTOR CONTROL CENTER
 MDMT MINIMUM DESIGN METAL TEMPERATURE
 MIN MINIMUM
 MM MILLIMETER
 MOUT MANUAL OUTPUT
 MS MOTOR STARTER
 NC NORMALLY CLOSED
 NLL NORMAL LIQUID LEVEL
 NO NORMALLY OPEN
 NPT NATIONAL PIPE THREAD
 OIC OPERATOR INTERFACE COMPUTER
 O.D. OUTSIDE DIAMETER
 PB PUSH BUTTON
 PSIA POUNDS / SQUARE INCH ABSOLUTE
 PSID POUNDS / SQUARE INCH DIFFERENTIAL
 PSIG POUNDS / SQUARE INCH GAUGE
 PLC PROGRAMMABLE LOGIC CONTROLLER
 REV REVERSE ACTING
 RST RESET (INTEGRAL)
 SCR SILICON CONTROLLED RECTIFIER
 S/F SEAM TO FACE OF FLANGE
 SP SETPOINT
 SPC CALCULATED SETPOINT
 SS SELECTOR SWITCH
 S/S SEAM TO SEAM
 T/T TANGENT TO TANGENT
 TS/TS TUBESHEET TO TUBESHEET
 T/L TUBE LENGTH
 V/H VENT HEADER

REV.	DESCRIPTION	DATE	BY	APPR.
2	AS BUILT	MAR 13/06	RH	DR
1	ISSUED FOR CONSTRUCTION	OCT.31/05	PH	GM

PERMIT TO PRACTICE STAMP

ENGINEER STAMP

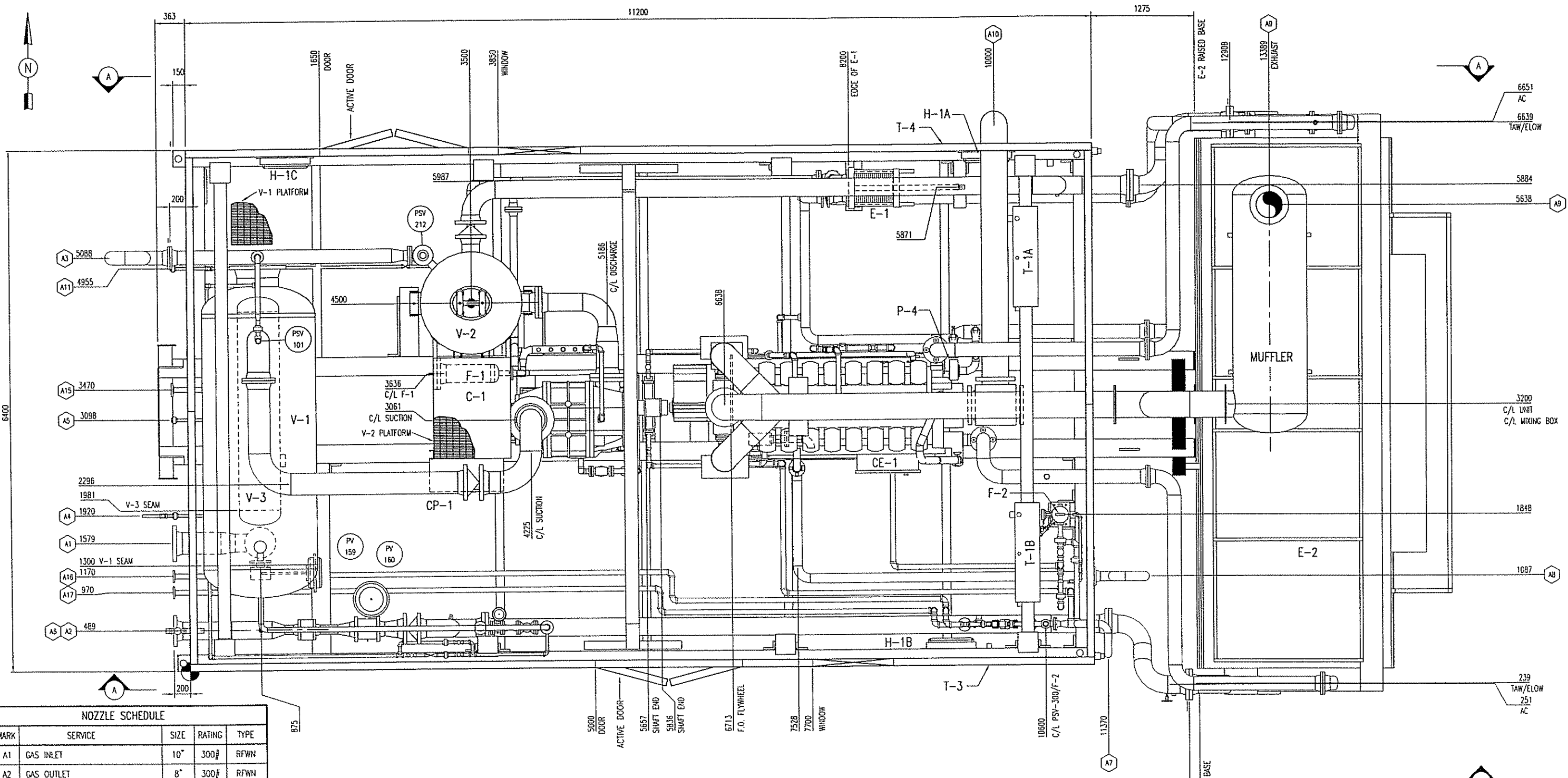
TOROMONT TOROMONT PROCESS SYSTEMS

DATE: OCT. 31, 2005
 SCALE: NTS
 W.D. No: 11920101

TITLE: P & I FLOW DIAGRAM
 FOR: HUSKY ENERGY
 1150 HP TD5H-355L
 BOOSTER COMPRESSOR
 K-600

DWG. No: 11920-101
 SHEET No: 4 OF 4
 REV: 2

THE INFORMATION CONTAINED HEREIN IS THE CONFIDENTIAL PROPERTY OF TOROMONT PROCESS SYSTEMS AND IS NOT TO BE REPRODUCED, COPIED, OR TRANSMITTED IN ANY FORM OR BY ANY MEANS, ELECTRONIC OR MECHANICAL, WITHOUT PERMISSION IN WRITING FROM TOROMONT PROCESS SYSTEMS.



PLAN VIEW
1:25

NOZZLE SCHEDULE

MARK	SERVICE	SIZE	RATING	TYPE
A1	GAS INLET	10"	300#	RFWN
A2	GAS OUTLET	8"	300#	RFWN
A3	RELIEF HEADER	6"	150#	PIPE
A4	INSTRUMENT GAS VENT	1"	3000#	PIPE
A5	HYDROCARBON DRAIN	1"	3000#	UNION
A6	BUY BACK LINE	1"	3000#	NPT
A7	FUEL GAS RELIEF HEADER	3"	-	PIPE
A8	START GAS VENT	4"	-	PIPE
A9	EXHAUST	12"	-	PIPE
A10	AIR INTAKE	12"	-	PIPE
A11	COMPRESSOR OIL DRAIN	1"	3000#	UNION
A12	GLYCOL FILL FROM BARREL (NOTE 7)	3/4"	3000#	NPT
A13	GLYCOL DRAIN TO BARREL (NOTE 7)	3/4"	3000#	NPT
A14	ENGINE FILL FROM BARREL (NOTE 7)	1"	3000#	NPT
A15	BLOWCASE OUTLET	2"	300#	RFTHD
A16	FUEL GAS SUPPLY	2"	150#	RFTHD
A17	START GAS SUPPLY	2"	150#	RFTHD

GENERAL NOTES:

- ALL TAIL DIMENSIONS FROM REFERENCE POINT.
- SKID SHIPPING LENGTH: 12860 MM
SKID SHIPPING WIDTH: 6960 MM
SKID SHIPPING HEIGHT: 6500 MM
E-2 SHIPPING LENGTH: 7895 MM
E-2 SHIPPING WIDTH: 3505 MM
E-2 SHIPPING HEIGHT: 4706 MM
- WEIGHTS:
MAIN SKID (DRY) 60,000 KGS
MAIN SKID (SHIPPING) 61,435 KGS
SHIPPED LOOSE 11,365 KGS
TOTAL WEIGHT (OPERATING) 72,800 KGS
- OVERALL SKID DEPTH: 610 MM
- NOZZLE ELEVATIONS ARE FROM CENTERLINE OF PIPE TO TOP OF BASE (REFERENCE POINT).
- (*) DENOTES ELEVATION FROM FACE OF FLANGE TO TOP OF BASE (REFERENCE POINT).
- GLYCOL AND ENGINE OIL FILL/DRAINS LOCATED BY SHOP INSIDE OF BUILDING.

REV.	DESCRIPTION	DATE	BY	APPR.
2	AS BUILT	MAR 13/06	RH	DR
1	ISSUED FOR CONSTRUCTION	NOV.21/05	PH	PN

PERMIT TO PRACTICE STAMP

ENGINEER STAMP

TOROMONT
TOROMONT PROCESS SYSTEMS

DRAWN BY: P. NOBLE
CHKD. BY: G. MORRIS
APPR. BY: D. ROUSSEAU

DATE: NOV. 20, 2005
SCALE: 1:25
W.O. No: 11920201

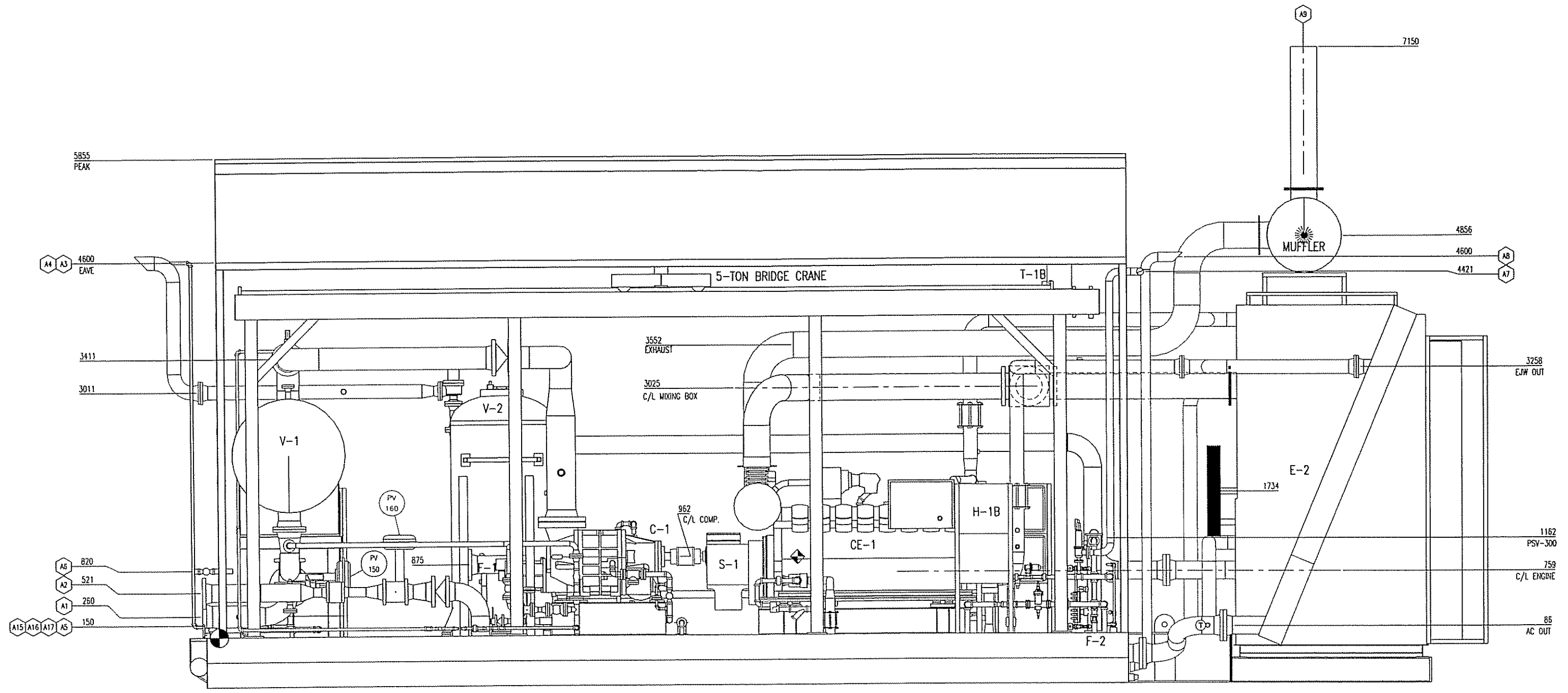
TITLE: GENERAL ARRANGEMENT

FOR: HUSKY ENERGY
1150 HP TDSH-355L
BOOSTER COMPRESSOR

CUST. PO No: -
DWC No: 11920-201

SHEET No: 1 OF 4
REV: 2

THE INFORMATION CONTAINED HEREIN IS THE CONFIDENTIAL PROPERTY OF TOROMONT PROCESS SYSTEMS AND IS NOT TO BE REPRODUCED, COPIED, OR TRANSMITTED IN ANY FORM OR BY ANY MEANS, ELECTRONIC OR MECHANICAL, INCLUDING PHOTOCOPYING, RECORDING, OR BY ANY INFORMATION STORAGE AND RETRIEVAL SYSTEM, WITHOUT THE WRITTEN PERMISSION OF TOROMONT PROCESS SYSTEMS.



ELEVATION 'A-A'
1:25

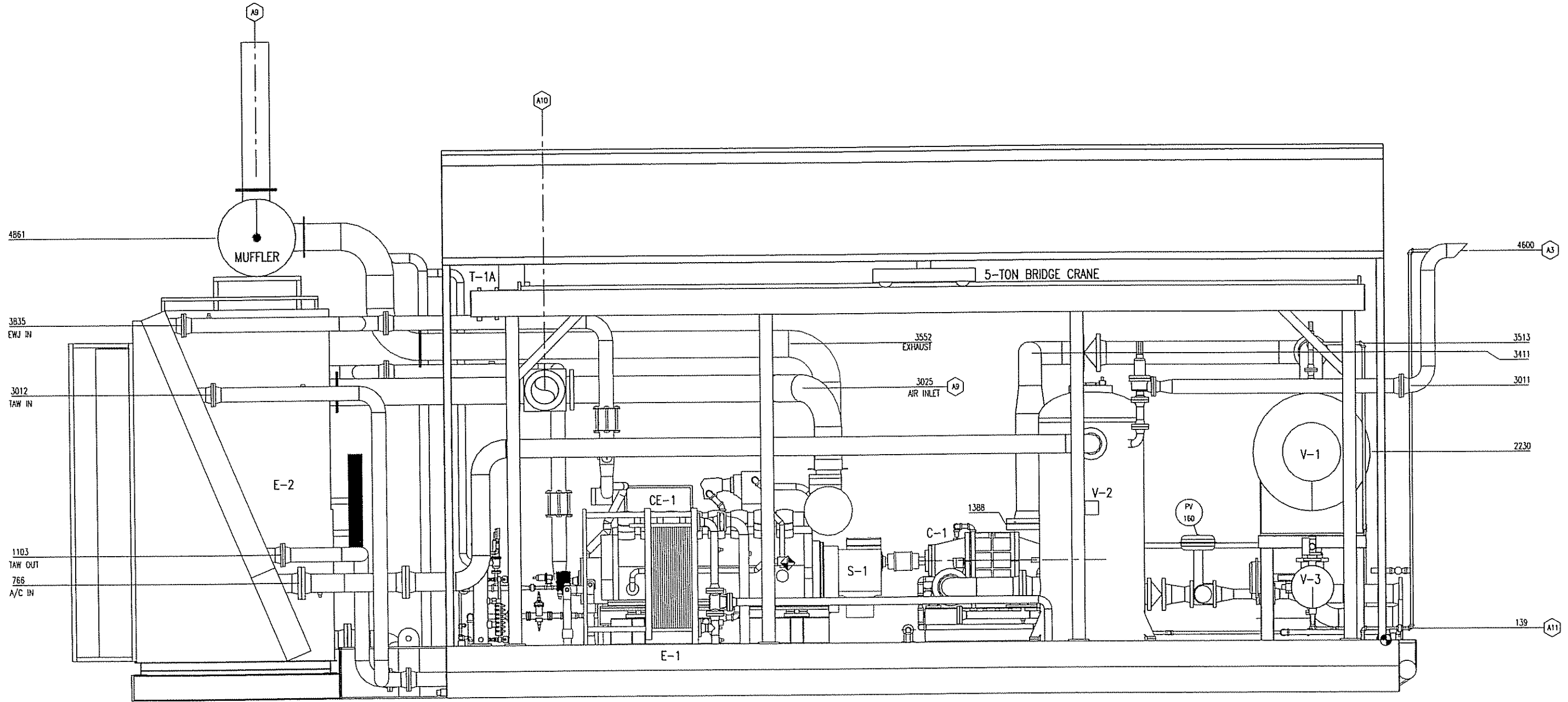
REV.	DESCRIPTION	DATE	BY	APPR.
2	AS BUILT	MAR 13/06	RH	DR
1	ISSUED FOR CONSTRUCTION	NOV.21/05	PN	PN

PERMIT TO PRACTICE STAMP

ENGINEER STAMP

TOROMONT		TOROMONT PROCESS SYSTEMS	
DRAWN BY: P. NOBLE	DATE: NOV. 21, 2005		
CHKD BY: G. MORRIS	SCALE: 1:25		
APPR. BY: D. ROUSSEAU	W.D. No: 11920201		
CUST. PO No:			

TITLE: ELEVATION 'A-A'
FOR: HUSKY ENERGY 1150 HP TD5H-355L BOOSTER COMPRESSOR
DWG. No: 11920-201
SHEET No: 2 OF 4
REV: 2



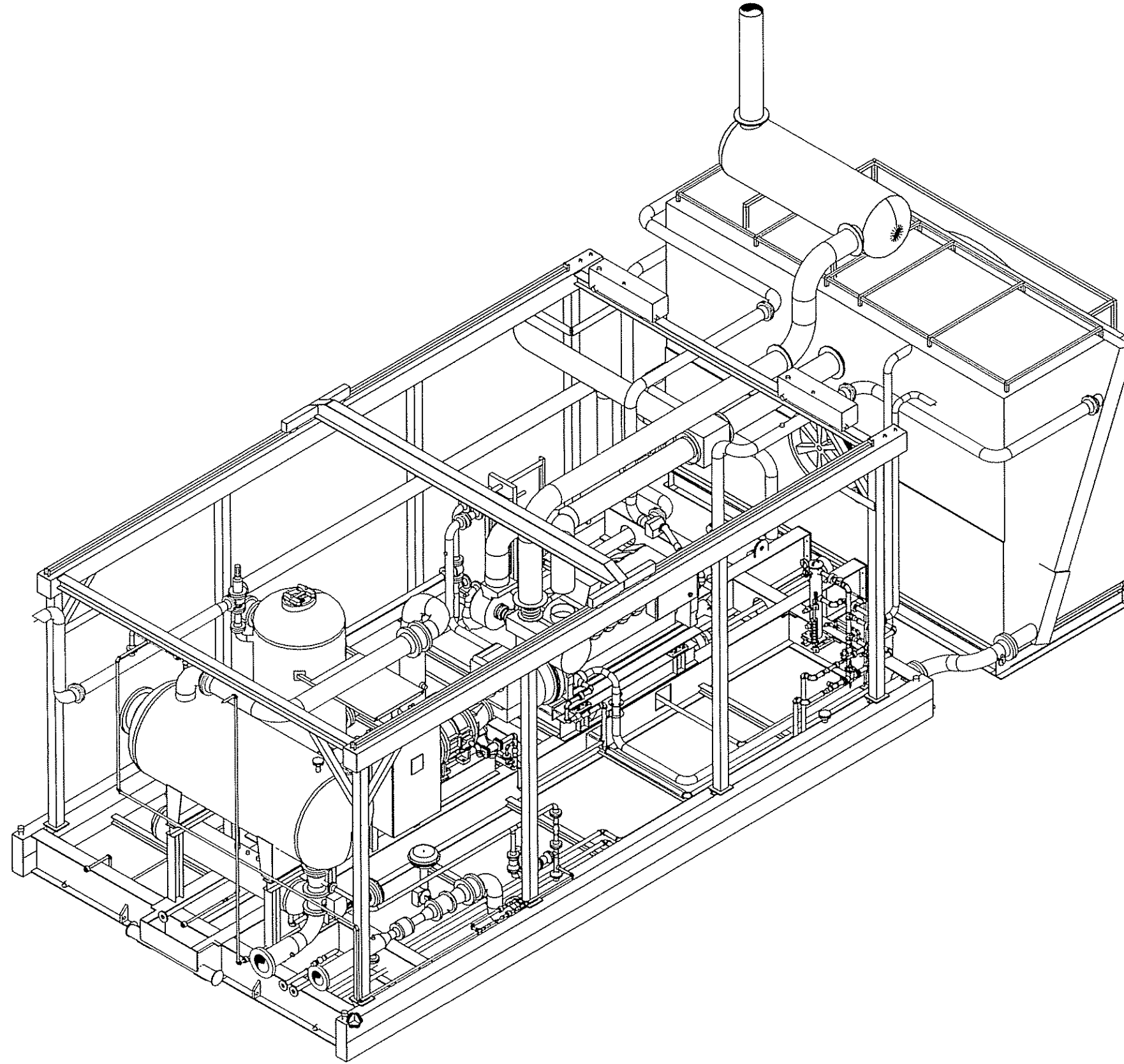
ELEVATION 'B-B'
1:25

REV.	DESCRIPTION	DATE	BY	APPR.
2	AS BUILT	MAR 13/06	RH	DR
1	ISSUED FOR CONSTRUCTION	NOV.21/05	PN	PN

PERMIT TO PRACTICE STAMP

ENGINEER STAMP

TOROMONT		TOROMONT PROCESS SYSTEMS	
DRAWN BY: P. NOBLE	DATE: NOV. 21, 2005	TITLE: ELEVATION 'B-B'	
CHKD. BY: G. MORRIS	SCALE: 1:25	FOR: HUSKY ENERGY 1150 HP TDSh-355L BOOSTER COMPRESSOR	
APPR. BY: D. ROUSSEAU	W.D. No: 11920201	DWG. No: 11920-201	
CUST. PO No:		SHEET No: 3 OF 4	
		REV: 2	



REV.	DESCRIPTION	DATE	BY	APPR.
2	AS BUILT	MAR 13/06	RH	DR
1	ISSUED FOR CONSTRUCTION	NOV.21/05	PN	PN

PERMIT TO PRACTICE STAMP

ENGINEER STAMP

TOROMONT PROCESS SYSTEMS	
DRAWN BY: P. NOBLE	DATE: NOV. 21 2005
CHECKED BY: G. MORRIS	SCALE: 1:25
APPROVED BY: D. ROUSSEAU	W.O. No: 11920201
CUST. PO No:	-

TITLE: ISOMETRIC VIEW
FOR: HUSKY ENERGY 1150 HP TD5H-355L BOOSTER COMPRESSOR
DWG. No: 11920-201
SHEET No: 4 OF 4
REV: 2

