

PennWest

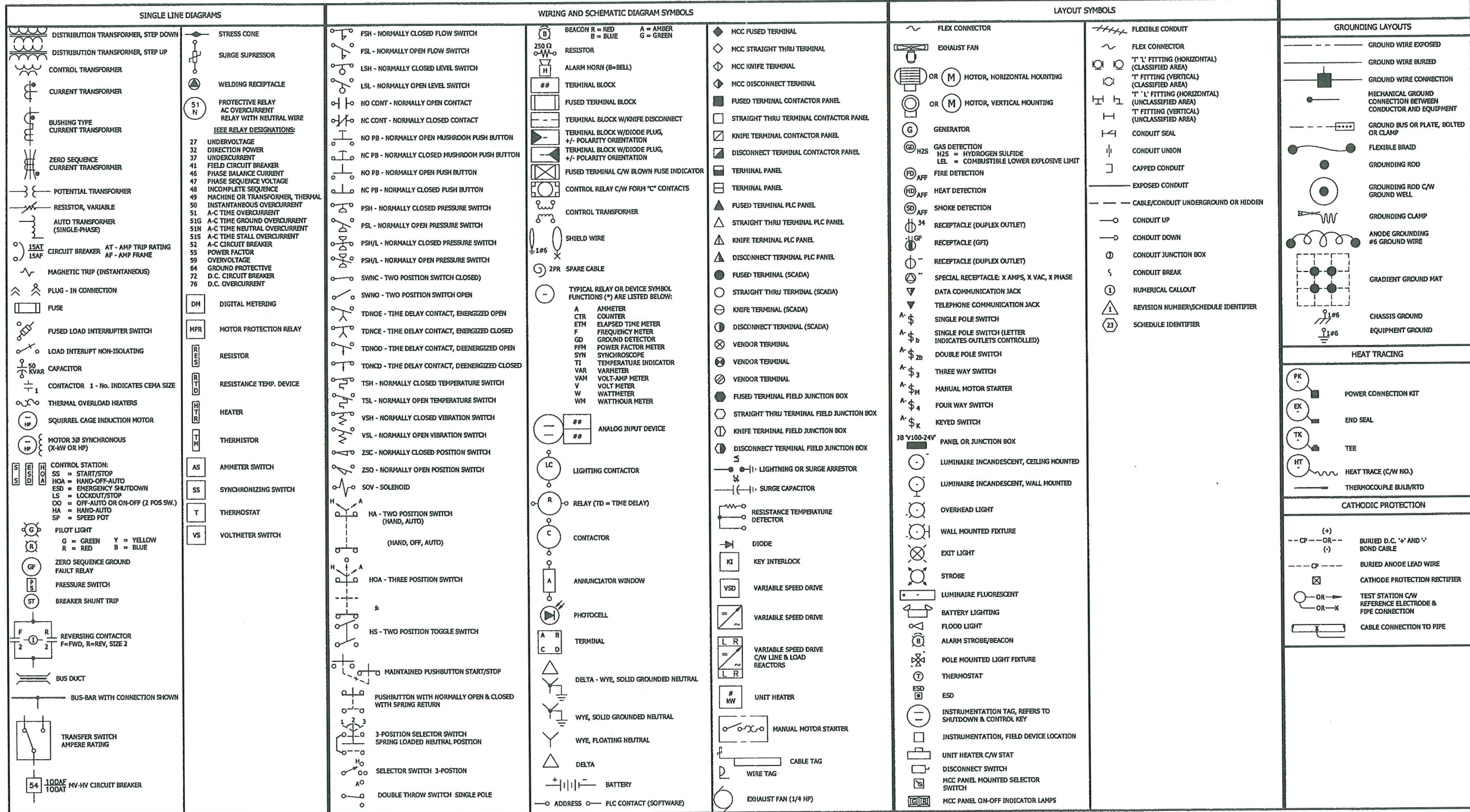
Exploration

**FB107- WASKADA TEST SATELLITE
 MANUAL TEST SATELLITE RTU PANEL
 FLOBOSS 107 - 120 VAC 24VDC, 6.5A
 ELECTRICAL**

DRAWING INDEX

DRAWING NUMBER	DRAWING TITLE	REV.
xxxxxxxxW1-ELC-COVER	COVER PAGE/DRAWING INDEX	
STD-9000-SYM-0002	ELECTRICAL SYMBOLS	A
xxxxxxxxW1-ELC-2506	FB-107 WASKADA DESIGN RTU CONTROL PANEL - POWER DISTRIBUTION	6
xxxxxxxxW1-ELC-3025	FB-107 WASKADA DESIGN RTU CONTROL PANEL - I/O SCHEMATICS	6
xxxxxxxxW1-ELC-3026	FB-107 WASKADA DESIGN RTU CONTROL PANEL - I/O SCHEMATICS	6
xxxxxxxxW1-ELC-3027	FB-107 WASKADA DESIGN RTU CONTROL PANEL - EXHAUST FAN DIAGRAM	2
xxxxxxxxW1-ELC-3028	FB-107 WASKADA DESIGN RTU CONTROL PANEL - JUNCTION BOX WIRING DIAGRAM	4
xxxxxxxxW1-ELC-5008	FB-107 WASKADA DESIGN RTU CONTROL PANEL - PANEL LAYOUT	6
xxxxxxxxW1-ELC-5009	FB-107 WASKADA DESIGN RTU CONTROL PANEL - SEPARATOR SKID LAYOUT	4

**ISSUED FOR INFORMATION
 13/01/07**



DRAWING#	REFERENCE DRAWING TITLE

REV	DATE	DESCRIPTION	DWN	CHKD	APPR
A	13/01/07	ISSUED FOR INFORMATION	AMA		

ENGINEER STAMP

THIS DRAWING IS THE PROPERTY OF PENNWEST EXPLORATION AND ANY REPRODUCTION IN WHOLE OR PART WITHOUT EXPRESS WRITTEN PERMISSION IS PROHIBITED.

THIRD PARTY LOGO

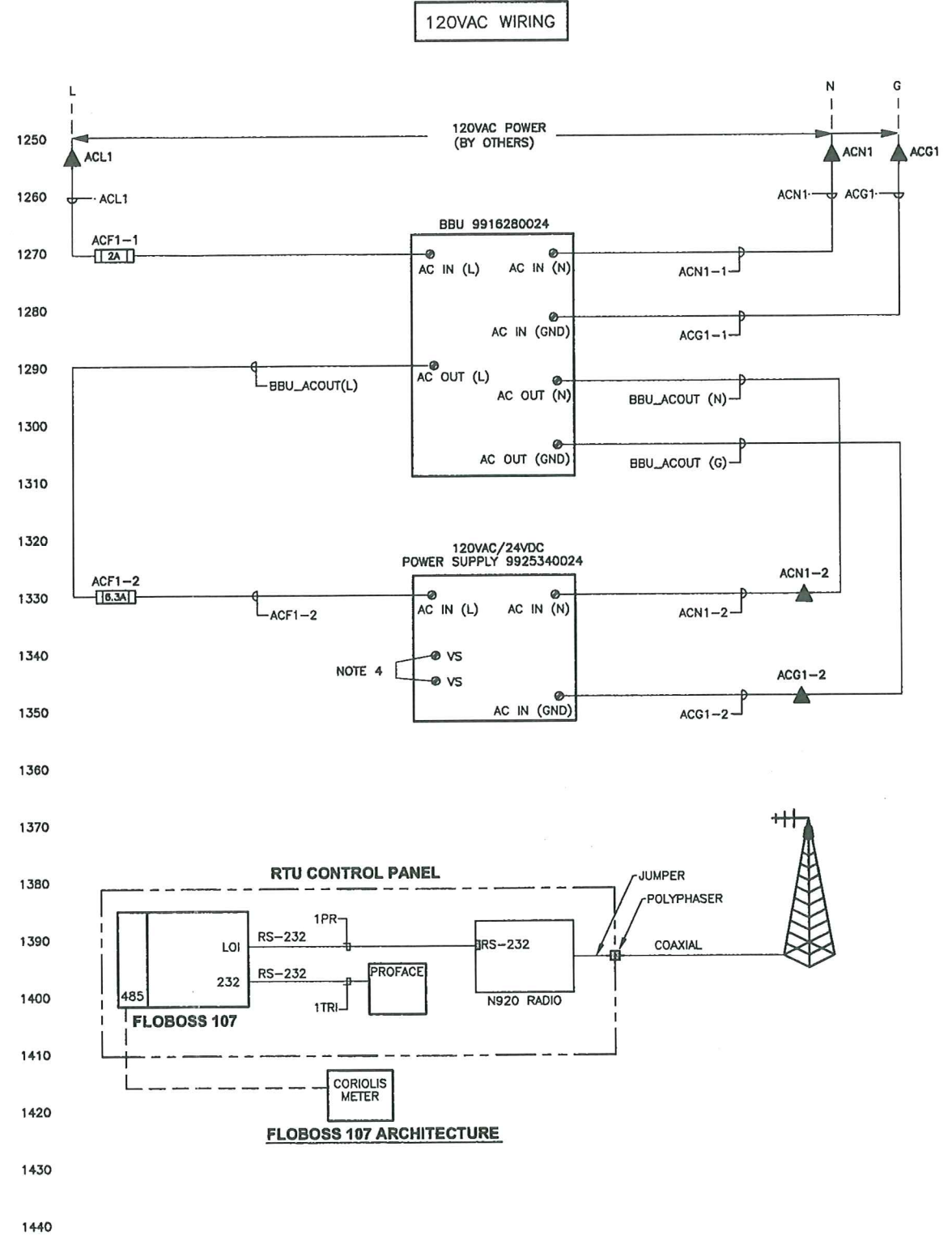
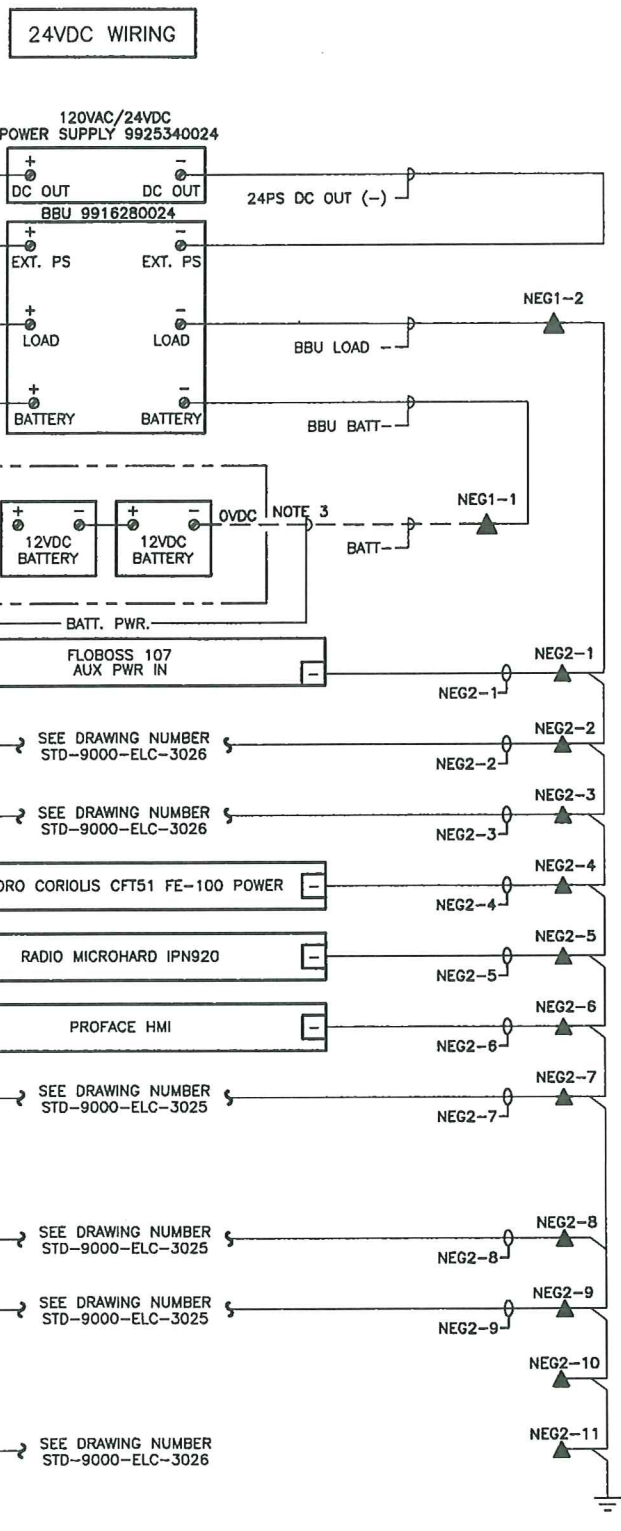
SCALE: NTS SIZE: D

EPCM PROJECT#:

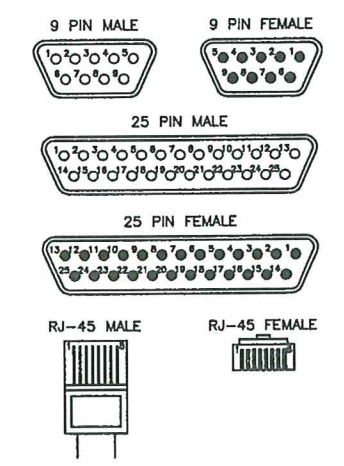
PennWest
Exploration

TVS
ELECTRICAL SYMBOLS

DWG# STD-9000-SYM-0002 SHT 1 OF 1 REV A



- LEGEND**
- PLC CARD TERMINAL
 - CONTROL PANEL FUSED TERMINAL
 - ◻ CONTROL PANEL FUSED TERMINAL (WS16/2)
 - △ CONTROL PANEL DISCONNECT TERMINAL
 - ▲ CONTROL PANEL FEEDTHROUGH TERMINAL
 - ◼ WEIDMULLER SAK 10 EN TERMINAL
 - FIELD JUNCTION BOX TERMINAL
 - ◇ VENDOR PANEL OR EQUIPMENT TERMINAL
 - ◇ MCC TERMINAL
 - ◇ CONTACTOR PANEL TERMINAL
 - ◇ MARSHALLING TERMINAL
 - LIGHTING PANEL NEUTRAL BUS
 - - - FIELD WIRING
 - SKID WIRING
 - PANEL WIRING



- NOTES:**
- GROUND BAR PROVIDED FOR FUTURE FIELD DEVICE SHIELDS.
 - POWER WIRING TO BE #16AWG OR GREATER.
 - ALL BATTERY WIRES TO BE MINIMUM #10 AWG STRANDED LOW TEMP. CABLE, TEW PVC INSULATION, MAXIMUM 10A WIRE RATED.
 - SHORT VS FOR 115VAC SUPPLY. OPEN VS FOR 230VAC SUPPLY.

COLOR CODE:

DC		AC	
+VDC	- RED	HOT	- BLACK (BLK)
OVDC	- BLUE (BLU)	NEUTRAL	- WHITE (WHT)
SWITCHED	- ORANGE (ORG)	SWITCHED	- BROWN (BRN)
GROUND	- GREEN (GRN)	GROUND	- GREEN (GRN)

DRAWING#	REFERENCE DRAWING TITLE
1759GF-ELC-9005	GLOBALFLOW PANEL LAYOUT

REV	DATE	DESCRIPTION	DWN	CHKD	APPR
0	11/08/23	ISSUED FOR CONSTRUCTION	GMB		
1	11/08/31	ISSUED FOR CONSTRUCTION (HMI UPGRADE)	GMB		
2	12/01/19	RE-ISSUED FOR CONSTRUCTION	GMB		
3	12/05/01	ISSUED FOR QUOTE	GMB		
4	12/07/16	ISSUED FOR CONSTRUCTION	GMB		
5	12/09/20	AS-BUILT	GMB		
6	13/01/07	RE-ISSUED FOR CONSTRUCTION (BASED ON OPERATIONAL REVIEW)	TVS	SMK	

ENGINEER STAMP

THIS DRAWING IS THE PROPERTY OF PENNWEST EXPLORATION AND ANY REPRODUCTION IN WHOLE OR PART WITHOUT EXPRESS WRITTEN PERMISSION IS PROHIBITED.

THIRD PARTY LOGO

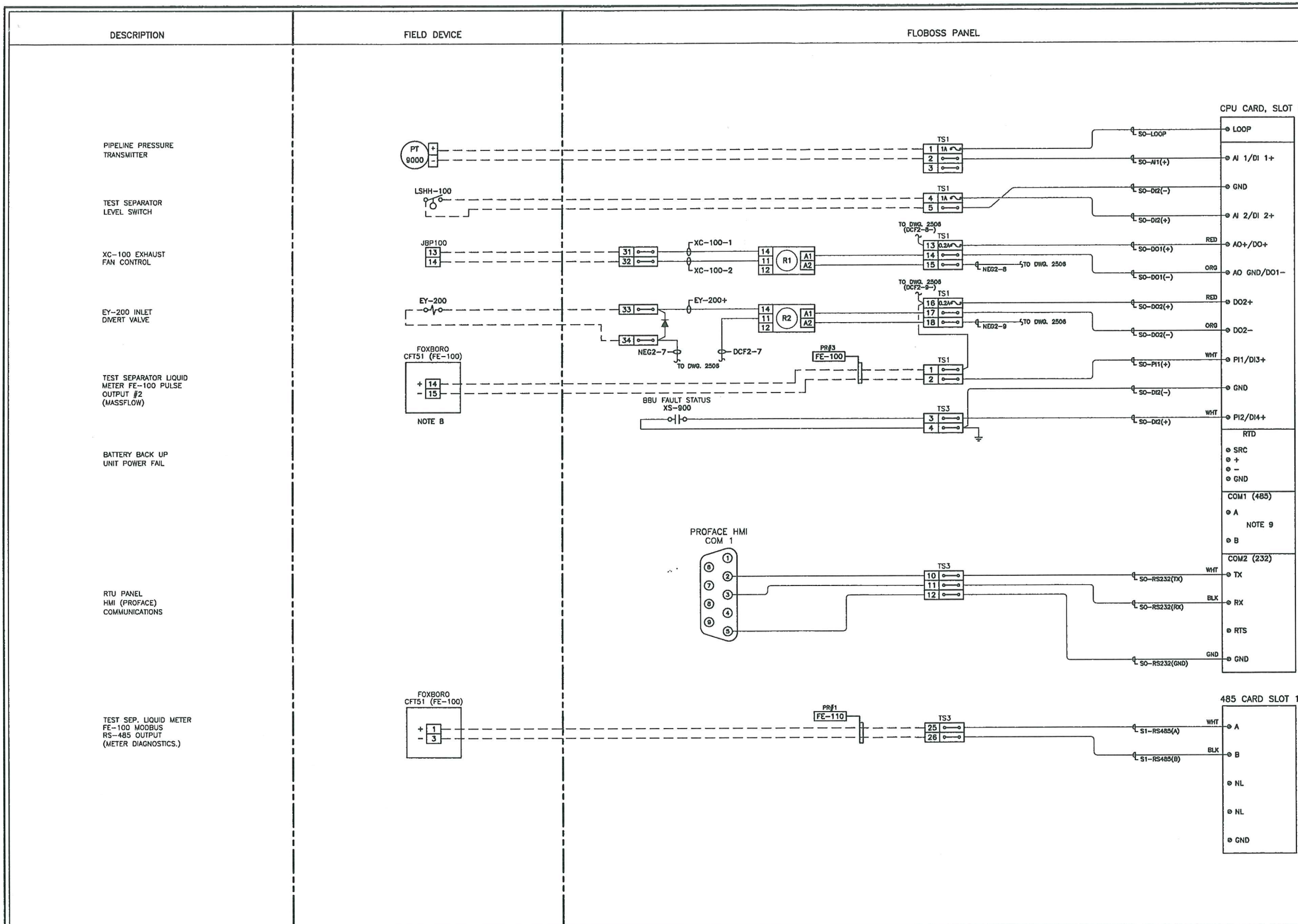
SCALE: NTS SIZE: D

EPCM PROJECT#:

PennWest Exploration

FB107-120VAC-24VDC, 6.5A
ELECTRICAL
LSD: VARIOUS
WASKADA MANUAL TEST SEP. RTU AC & DC - POWER DISTRIBUTION

DWG# xxxxxxxxW1-ELC-2506 SHT 1 OF 1 REV 6



WIRING NOMENCLATURE:
 - - - - - INDICATES FIELD WIRING (FOR INFORMATION ONLY)
 ——— INDICATES SHOP WIRING

COLOR CODE:
 DC: +VDC - RED AC: HOT - BLACK (BLK)
 0 VDC - BLUE (BLU) NEUTRAL - WHITE (WHT)
 SWITCHED - ORANGE (ORG) SWITCHED - BROWN (BRN)
 GROUND - GREEN (GRN) GROUND - GREEN (GRN)

LEGEND:

 WEIDMULLER ASK1 FUSED TERMINAL BLOCK
 WEIDMULLER SAK4 TERMINAL BLOCK

- NOTES:**
1. ALL SIGNAL WIRING IS RECOMMENDED TO BE #18 AWG EXCEPT FOR COM WIRING WHICH IS #22 AWG.
 2. SNUBBER DIODES TO BE USED FOR INDUCTIVE LOADS.
 3. ALL TRANSMITTERS INSTALLED AND CALIBRATED BY OTHERS.
 4. ALL FIELD I/O WIRING SUPPLIED, INSTALLED AND TESTED BY OTHERS.
 5. ALL ANALOG CABLES TO BE #18 AWG SHIELDED CABLE. SHIELDS TO BE TERMINATED TO CABINET GROUND BAR.
 6. WHEN CONNECTING THE ANALOG INPUT CHANNEL TO A VOLTAGE DEVICE, BE SURE TO SET THE 250-OHM RESISTOR SWITCH TO THE 250 OHM RESISTOR ACTIVE POSITION ON THE TERMINATION BOARD.
 7. WHEN SET AS DISCRETE THE SWITCH MUST BE IN OPEN MODE.
 8. WIRING ONLY REQUIRED WHEN CONNECTING TO FOXBORO CORIOLIS METER.
 9. COM PORT RESERVED BY NOC PROGRAM. UNAVAILABLE

DRAWING#	REFERENCE DRAWING TITLE
1759GF-ELC-9007	GLOBALFLOW - FB107 WIRING DIAGRAM

REV	DATE	DESCRIPTION	DWN	CHKD	APPR
0	11-08-23	ISSUED FOR CONSTRUCTION		GMB	
1	11-08-31	ISSUED FOR CONSTRUCTION (HMI UPGRADE)		GMB	
2	12-01-19	RE-ISSUED FOR CONSTRUCTION		GMB	
3	12-05-01	ISSUED FOR QUOTE		GMB	
4	12-07-18	ISSUED FOR CONSTRUCTION		GMB	
5	12-09-20	AS BUILT		GMB	
6	13-01-06	ISSUED FOR CONSTRUCTION - BASED ON OPERATIONAL REVIEW		TVS	SMK

ENGINEER STAMP

THIS DRAWING IS THE PROPERTY OF PENNWEST EXPLORATION AND ANY REPRODUCTION IN WHOLE OR PART WITHOUT EXPRESS WRITTEN PERMISSION IS PROHIBITED.

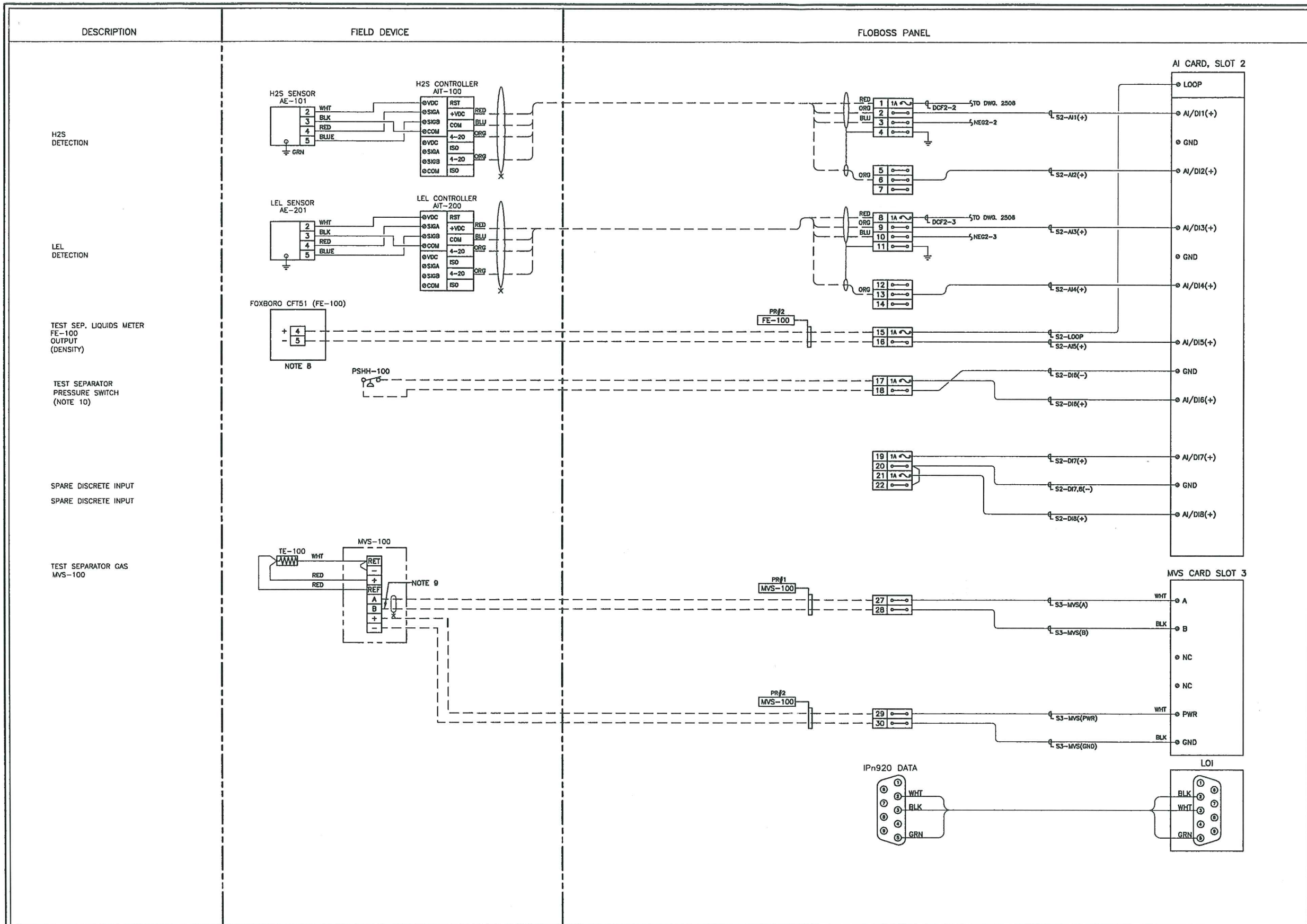
THIRD PARTY LOGO

SCALE: NTS SIZE: D
 EPCM PROJECT#:

PennWest Exploration

FB107 WIRING DIAGRAM SLOT 0 AND SLOT 1
 ELECTRICAL
 LSD: VARIOUS
 WASKADA MANUAL TEST SEP. - I/O SCHEMATIC

DWG# 1000000001W1-ELC-3025 SHT 1 OF 1 REV 6



WIRING NOMENCLATURE:
 - - - - - INDICATES FIELD WIRING (FOR INFORMATION ONLY)
 ——— INDICATES SHOP WIRING

COLOR CODE:
 DC: +VDC - RED, 0 VDC - BLUE (BLU), SWITCHED - ORANGE (ORG), GROUND - GREEN (GRN)
 AC: HOT - BLACK (BLK), NEUTRAL - WHITE (WHT), GROUND - BROWN (BRN)

LEGEND:
 [Symbol] WEIDMULLER ASK1 FUSED TERMINAL BLOCK
 [Symbol] WEIDMULLER SAK4 TERMINAL BLOCK

- NOTES:**
1. ALL SIGNAL WIRING IS RECOMMENDED TO BE #18 AWG EXCEPT FOR COM WIRING WHICH IS #22 AWG.
 2. SNUBBER DIODES TO BE USED FOR INDUCTIVE LOADS.
 3. ALL TRANSMITTERS INSTALLED AND CALIBRATED BY OTHERS.
 4. ALL FIELD I/O WIRING SUPPLIED, INSTALLED AND TESTED BY OTHERS.
 5. ALL ANALOG CABLES TO BE #18 AWG SHIELDED CABLE. SHIELDS TO BE TERMINATED TO CABINET GROUND BAR.
 6. WHEN CONNECTING THE ANALOG INPUT CHANNEL TO A VOLTAGE DEVICE, BE SURE TO SET THE 250-OHM RESISTOR SWITCH TO THE 250 OHM RESISTOR ACTIVE POSITION ON THE TERMINATION BOARD.
 7. WHEN SET AS DISCRETE THE SWITCH MUST BE IN OPEN MODE.
 8. WIRING ONLY REQUIRED WHEN CONNECTING TO FOXBORO CORIOLIS METER.
 9. 120Ω RESISTOR INSTALLED AT EACH FARTHEST END OF MVS COMMUNICATIONS PATH.
 10. PRESSURE SWITCH MAY BE PNEUMATIC OR ELECTRIC. IF PNEUMATIC SWITCH IS INSTALLED, DO NOT REPLACE.

DRAWING#	REFERENCE DRAWING TITLE
1759GF-ELC-9008	GLOBALFLOW - FB107 WIRING DIAGRAM

REV	DATE	DESCRIPTION	DWN	CHKD	APPR
0	11-08-23	ISSUED FOR CONSTRUCTION	GMB		
1	11-08-31	ISSUED FOR CONSTRUCTION (HMI UPGRADE)	GMB		
2	12-01-19	RE-ISSUED FOR CONSTRUCTION	GMB		
3	12-05-01	ISSUED FOR QUOTE	GMB		
4	12-07-16	ISSUED FOR CONSTRUCTION	GMB		
5	12-09-20	AS BUILT	GMB		
6	13-01-07	ISSUED FOR CONSTRUCTION - BASED ON OPERATIONAL REVIEW	TVS	SMK	

ENGINEER STAMP

THIS DRAWING IS THE PROPERTY OF PENNWEST EXPLORATION AND ANY REPRODUCTION IN WHOLE OR PART WITHOUT EXPRESS WRITTEN PERMISSION IS PROHIBITED.

THIRD PARTY LOGO

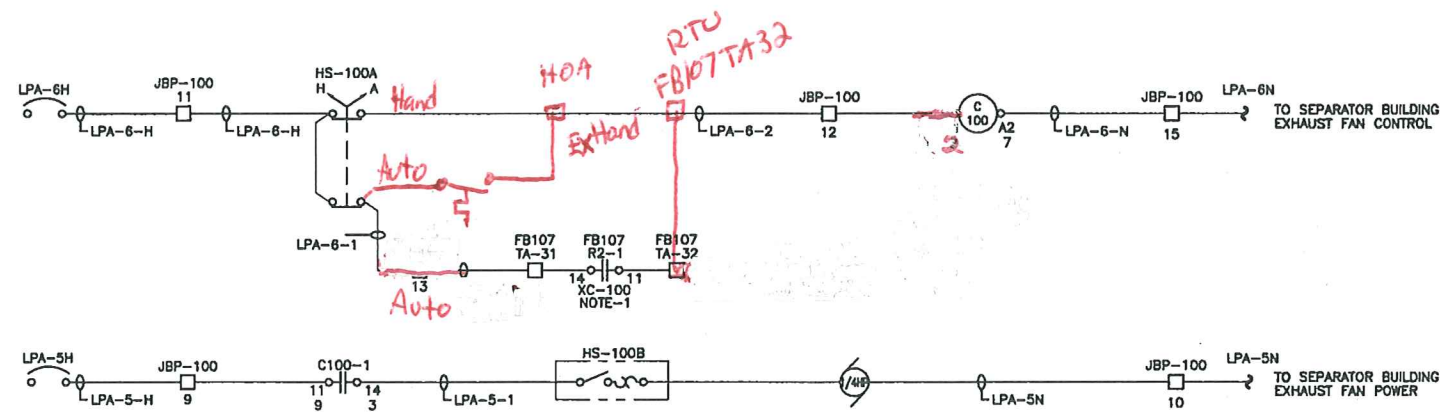
SCALE: NTS SIZE: D

EPCM PROJECT#:

PennWest Exploration

FB107 WIRING DIAGRAM SLOT 2 AND SLOT 3
 ELECTRICAL
 LSD: VARIOUS
 WASKADA MANUAL TEST SEP. - I/O SCHEMATIC

DWG# xxxxxxxxW1-ELC-3028 SHT 1 OF 1 REV 6



NOTES:

- XC-100 IS RTU CONTROL OF FAN. TO BE TURNED ON AT 20% LEL OR 10PPPM H2S DETECTION.

DRAWING#	REFERENCE DRAWING TITLE
1759GF-ELC-9D10	GLOBALFLOW - FB107 WIRING DIAGRAM

REV	DATE	DESCRIPTION	DWN	CHKD	APPR
0	12/07/16	ISSUED FOR CONSTRUCTION	GMB		
1	12/09/20	AS-BUILT	GMB		
2	13/01/07	ISSUED FOR CONSTRUCTION -- BASED ON OPERATIONAL REVIEW	TVS	SK	

ENGINEER STAMP

THIS DRAWING IS THE PROPERTY OF PENNWEST EXPLORATION AND ANY REPRODUCTION IN WHOLE OR PART WITHOUT EXPRESS WRITTEN PERMISSION IS PROHIBITED.

THIRD PARTY LOGO

SCALE: NTS SIZE: D

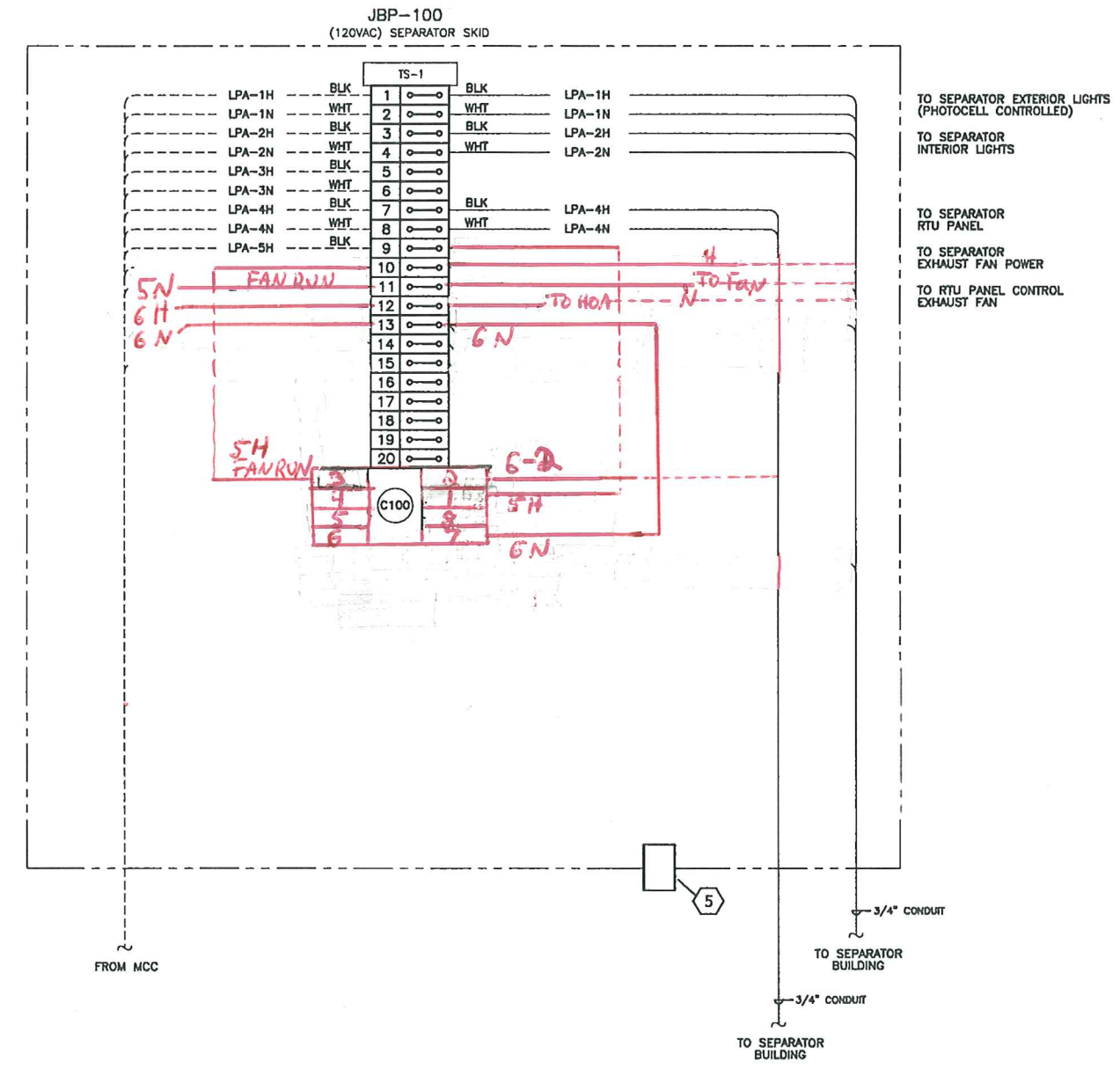
EPCM PROJECT#: -

PennWest
Exploration

FB107 WIRING DIAGRAM
ELECTRICAL
LSD: VARIOUS
WASKADA - EXHAUST FAN DIAGRAM

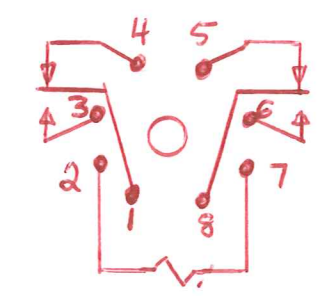
DWG# xxxxxxxxW1-ELC-3027 SHT 1 OF 1 REV 2

NO	QTY	MFR.	DESCRIPTION	SUPPLIED BY
1	1	OPEN	NEMA4 ENCLOSURE (18" x 12")	SHOP
2	1	OPEN	ENCLOSURE BACK PLATE	SHOP
3	20	WEIDMULLER		SHOP
4	1	MAGNECRAFT	750XBXH-120A	SHOP
5	1	HAMMOND	BDN4XN1	-



LEGEND:
 TERMINAL FEED THROUGH
 PANEL WIRING
 FIELD WIRING

NOTES:
 =



DRAWING#	REFERENCE DRAWING TITLE
1759GF-ELC-9015	GLOBALFLOW - FB107 WIRING DIAGRAM

REV	DATE	DESCRIPTION	DWN	CHKD	APPR
0	12/07/18	ISSUED FOR CONSTRUCTION	GMB		
1	12/09/20	AS-BUILT	GMB		
2	13/01/07	ISSUED FOR CONSTRUCTION - BASED ON OPERATIONAL REVIEW	TVS	SMK	

ENGINEER STAMP

THIS DRAWING IS THE PROPERTY OF PENNWEST EXPLORATION AND ANY REPRODUCTION IN WHOLE OR PART WITHOUT EXPRESS WRITTEN PERMISSION IS PROHIBITED.

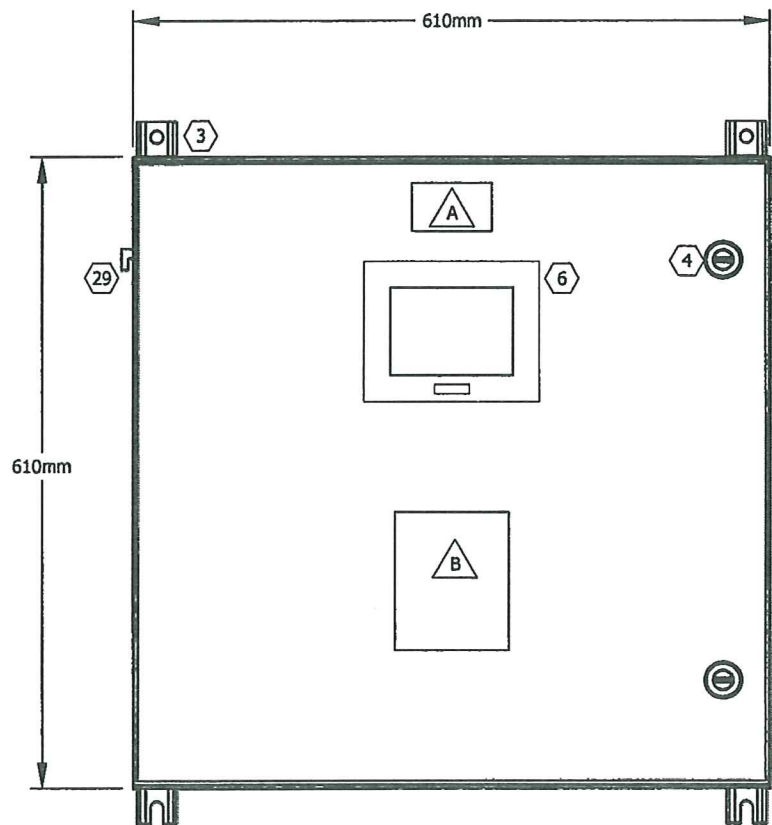
PennWest

Exploration

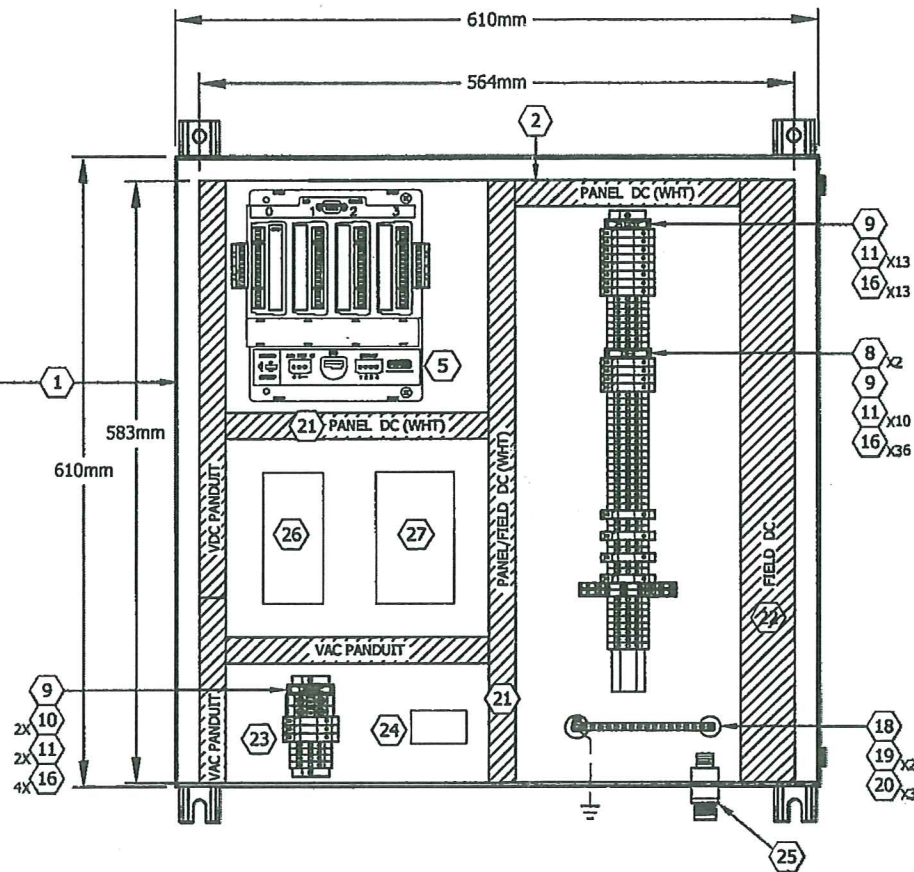
FB107 JBP-100 (120VAC)
ELECTRICAL
LSD: VARIOUS
WASKADA - JUNCTION BOX WIRING DIAGRAM

SCALE	NTS	SIZE: D
EPCM PROJECT#		
DWG# xxxxxxxxW1-ELC-3028		
SHT 1 OF 1		REV 4

B FLOBOSS 107 PANEL EXTERIOR LAYOUT
SCALE: N.T.S.



A FLOBOSS 107 PANEL INTERIOR LAYOUT
SCALE: N.T.S.



NO	QTY	PART NO.	DESCRIPTION	SUPPLIED BY
1	1	C-SD242412	HOFFMAN 24"H x 24"W x 12"D NEMA 4 ENCLOSURE	FIXOVERLAPS
2	1	C-P2424	HOFFMAN 22.2"H x 18.2"W SUBPLATE	--
3	1	C-MFK	HOFFMAN MOUNTING FEET (PACKAGE OF 4)	--
4	1	C-WHNL	HOFFMAN HANDLE, NON LOCKING	--
5	1	107A1C2	FLOWBOSS 107 BASE CHASSIS WITH CPU MODULE AND 6 POINT I/O BOARD (2AI/DIPL, 1 AO/DO, 1DO) 1 LOCAL INTERFACE PORT, SLOT 1, RS485 COMMUNICATION CARD	--
1	1		107-2036-9082	
1	1		107-2036-9083	
1	1		107-2036-9086	
1	1		107-2036-9102	
			SLOT 2, AI CARD 8 CHANNEL	
			SLOT 3, MVS CARD	
6	1	AGP3300-T1	PROFACE HMI TOUCHPAD	--
7	--	--	--	--
8	2	7940004781	WEIDMULLER MICROSERIES C1D2 RELAY MODULE	--
9	3	2924.6	WEIDMULLER SCHTS TAG CARRIER	--
10	2	4437.6	WEIDMULLER SAK10 EN TERMINAL BLOCK	--
11	25	4745.6	WEIDMULLER ASK1 EN FUSED TERMINAL BLOCK	--
12	7	GDA 200MA	BUSSMAN GDA 200m AMP CERAMIC FUSE (QTY. 5 SPARES INCL.)	--
13	18	GDA 1A	BUSSMAN GDA 1 AMP CERAMIC FUSE (QTY. 5 SPARES INCL.)	--
14	8	GDA 2A	BUSSMAN GDA 2 AMP (QTY. 5 SPARES INCL.)	--
15	7	GDA 6.3A	BUSSMAN GDA 6.3 AMP (QTY. 5 SPARES INCL.)	--
16	40	4674.6	WEIDMULLER SAK4 EN TERMINAL BLOCK	--
17	A/R	3834.0	WEIDMULLER TS35 TERMINAL BLOCK RAIL	--
18	1	0000083	6" LONG ILSCO BAR	--
19	2	GROUND LUG SMALL	GROUND LUG 2-14 GA.	--
20	3	GL 2165-1A	GLASTIC 1" INSULATOR	--
21	A/R	----	1" x 4" WIRE WAY, c/w SMALL FINGER AND LID (WHITE)	--
22	A/R	----	2" x 4" WIRE WAY, c/w SMALL FINGER AND LID (WHITE)	--
23	A/R	----	2" x 4" WIRE WAY, c/w SMALL FINGER AND LID (WHITE)	--
24	1	IPN920F	MICROHARD SYSTEMS (Nano IP Series IPn920 Iril)	--
25	1	900001	POLYPHASOR	--
26	1	9925340024	WEIDMULLER POWER SUPPLY 120VAC/24VDC, 6.5A	--
27	1	9916280024	WEIDMULLER, BBU BATTERY BACKUP UNIT, 24VDC	--
28	2	8A27	100AH BATTERY (SHIP LOOSE)	--
29	1	ANMV6	HOFFMAN PANEL VENT	--
30	1	B2I	G SOLAR 2 BATTERY BOX W/INSULATION 18x17.5x16"-NEMA 4 (SHIP LOOSE)	--

NO	SIZE	COLOUR	LAMACOID DESCRIPTION
A	-	BLACK ON WHITE	PENNWEST XX-XX-XXX-XX WXX FLOBOSS 107 CONTROL PANEL
B	-	WHITE ON RED	WARNING: ALL EQUIPMENT INSTALLED IN THIS PANEL MUST BE SUITABLE FOR USE IN CLASS 1 ZONE 2 LOCATION. ALL FUSES MUST BE CERAMIC OR SAND FILLED. ENSURE THERE IS NO GAS PRESENT AND POWER HAS BEEN REMOVED BEFORE OPERATING DISCONNECT TERMINALS OR SERVICING.

NOTES:

1. PAINT COLOR: ASA-61 GRAY.
2. ENCLOSURE RATING: NEMA 4
3. ELECTRICAL CLASSIFICATION CLASS 1, DIVISION 2, GROUPS C, D, T3.

CLASS 1, DIVISION 2 ENCLOSURE

DRAWING#	REFERENCE DRAWING TITLE	REV	DATE	DESCRIPTION	DWN	CHKD	APPR
1759GF-ELC-9005	GLOBALFLOW PANEL LAYOUT	0	11/08/23	ISSUED FOR CONSTRUCTION	GMB		
		1	11/08/31	ISSUED FOR CONSTRUCTION (HMI UPGRADE)	GMB		
		2	12/01/19	RE-ISSUED FOR CONSTRUCTION	GMB		
		3	12/05/01	ISSUED FOR QUOTE	GMB		
		4	12/07/16	ISSUED FOR CONSTRUCTION	GMB		
		5	12/09/20	AS-BUILT	GMB		
		6	13/01/07	RE-ISSUED FOR CONSTRUCTION (BASED ON OPERATIONAL REVIEW)	TVS	SMK	

ENGINEER STAMP

THIS DRAWING IS THE PROPERTY OF PENNWEST EXPLORATION AND ANY REPRODUCTION IN WHOLE OR PART WITHOUT EXPRESS WRITTEN PERMISSION IS PROHIBITED.

THIRD PARTY LOGO

SCALE: NTS SIZE: D

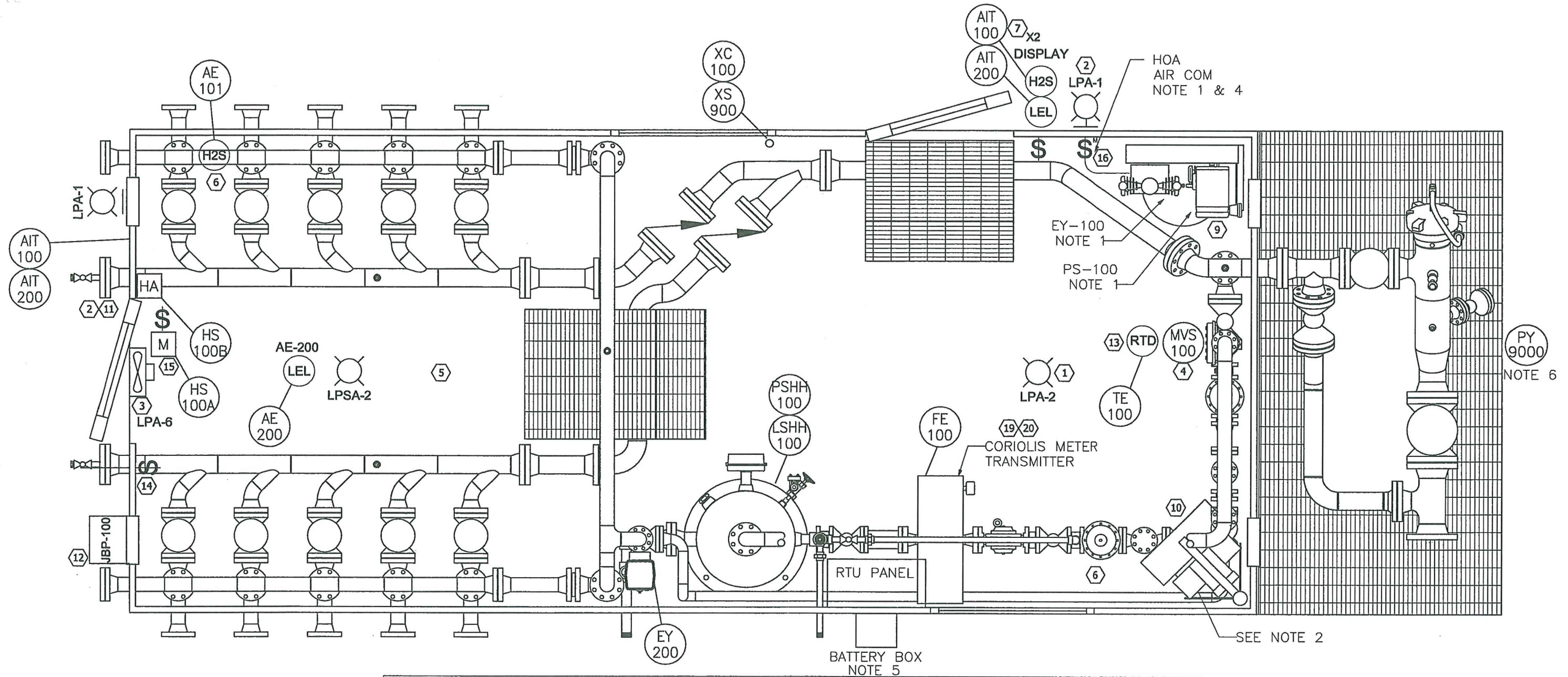
EPCM PROJECT#:

PennWest
Exploration

FB107-120VAC-24VDC, 6.5A
ELECTRICAL
LSD: VARIOUS

WASKADA MANUAL TEST SEP. RTU CONTROL PANEL -- LAYOUT

DWG# xxxxxxxxW1-ELC-5008 SHT 1 OF 1 REV 6



○ MATERIAL LIST

ITEM NO.	QTY	DESCRIPTION	ITEM NO.	QTY	DESCRIPTION
1	2	BALLAST ASSEMBLY, CROUSE HINDS (CRHVM175TT)	11	1	PHOTOCELL CROUSE HINDS (CRHVP20)
2	2	BALLAST ASSEMBLY, CROUSE HINDS (CRHVM570TLX)	12	1	ENCLOSURE, HOPA 16x14x8, NEMA 4X
3	1	SOAPERS SUPPLY (KL12XP1PH) EXHAUST FAN 1/4HP 115V/230V	13	1	RTD 100 OHM, 1.5 INSERTION
4	1	FISHER (MVS205) 250IN H2O, 3600 PSIG	14	1	ONE WAY HAND SWITCH CROUSE HINDS
5	1	NET SAFETY LEL SENSOR (SC310A-100-ASSY)	15	1	MANUAL MOTOR STARTER CROUSE HINDS (CRHDSF39105A)
6	1	NET SAFETY H2S SENSOR (ST320A-100-ASSY)	16	1	COMPRESSOR ON-OFF SWITCH CROUSE HINDS (CRHDS9235A)
7	2	NET SAFETY MILLENUM II CONTROLLER (M2Z-AR)	17	1	EXHAUST FAN H-A SWITCH CROUSE HINDS (CRHDS9235A)
8	1	ASCO LOW POWR SOLENOID	18	1	THERMOSTAT (RUFXT312)
9	1	EAGLE COMPRESSOR (PV02A) 600V	19	1	FOXBORO CORIOLIS TRANSMITTER (CFT51-MB1EBBANNCA)
10	1	GCI THERMAL RUFFNECK HEATER 15kW, 600V (FX5)	20	1	FOXBORO CORIOLIS TUBE (CFS10-20SECAA-E)

NOTES:

- AIR COMPRESSOR, SOV, HOA AND PRESSURE SWITCH PIPED IN AND LINES LEFT FOR CONNECTION IN FIELD.
- HEATER SUPPLIED AND SHIPPED LOOSE.
- GAS DETECTION CALIBRATION TUBES TO BUILDING ENTRANCE.
- AIR COMPRESSOR INTAKE TO BE 3m FROM PIG LAUNCHER.
- BATTERIES AND BATTERY BOX TO BE SHIPPED LOOSE AND INSTALLED OUTSIDE OF BUILDING.
- PIPELINE PRESSURE TRANSMITTER TO BE FIELD LOCATED.

DRAWING#	REFERENCE DRAWING TITLE
1759GF-ELC-9015	GLOBALFLOW - FB107 WIRING DIAGRAM

REV	DATE	DESCRIPTION	DWN	CHKD	APPR
1	12/05/01	ISSUED FOR QUOTE	GMB		
2	12/07/16	ISSUED FOR CONSTRUCTION	GMB		
3	12/09/20	AS-BUILT	GMB		
4	13/01/02	ISSUED FOR CONSTRUCTION - BASED ON OPERATIONAL REVIEW	AMA	SK	

ENGINEER STAMP

THIS DRAWING IS THE PROPERTY OF PENNWEST EXPLORATION AND ANY REPRODUCTION IN WHOLE OR PART WITHOUT EXPRESS WRITTEN PERMISSION IS PROHIBITED.

THIRD PARTY LOGO

SCALE: NTS SIZE: D

EPCM PROJECT#:

PennWest Exploration

FB107 JBP-100 (120VAC) ELECTRICAL
LSD: VARIOUS
WASKADA SEPARATOR SKID LAYOUT

DWG# xxxxxxxxw1-ELC-5009 SHT 1 OF 1 REV 4