

**SYMBOL LEGEND**

- \$ LIGHT SWITCH - SINGLE POLE
- ⊕ DUPLEX RECEPTACLE, 20A, 120V
- △ THERMOSTAT
- ☼ EMERGENCY LIGHT, DC
- ⊞ MOTOR DISCONNECT SWITCH
- ☐ BATTERY CHARGER  
TTI BCM 1220 (12V 20A) TYP-2
- ⊞ EXHAUST FAN 18" 120V, 1ϕ, 1/2 HP  
C/W STORM HOODS
- ⊞ FLUORESCENT LIGHT, 2 TUBE, 32W EACH
- ⊞ ACTUATOR MOTOR
- ☼ 1. 18"X24" CATA-DYNE EXP HEATER NATURAL GAS  
2. 18"X24" CATA-DYNE EXP HEATER PROPANE

APPROXIMATE SHIPPING WEIGHT		
S.NO	ITEM	WEIGHT KGS
1	ENGINE ,ALTERNATOR AND SKID X2	2660
2	SWITCH GEAR (EST)	500
3	MISC EQUIPMENT	1000
4	BUILDING	TBD
	TOTAL	4160

**NOTE:-**

- BUILDING DESIGN CODE NBC 2010
- FOR DOOR DIMENSION, EVE HEIGHT, WALL FRAMING, LIFTING LUGS LOCATION OF BUILDING SKID, SEE WARWICK DRAWING
- SIMMAX IS NOT RESPONSIBLE FOR SITE PLACEMENT OF GENERATOR BUILDING.
- ALL FRAMED OPENING ELECTRICAL OUTGOING POWER AND CONTROL SHALL BE DONE ONSITE.
- EXHAUST SYSTEM TBD. SHOWN JUST FOR REFERENCE

**LEGEND**  
CCT= CIRCUIT CB= CIRCUIT BREAKER DWG= DRAWING TBD= TO BE DECIDED/ TO BE DECLARE COLOR  
WALL & ROOF- TAN/TRIM & DOOR- METRO BROWN/SKID - GREY

**LOAD BANK- 50 kW AT 480 Vac, 3ϕ, 60 Hz**

- SHIPPED LOOSE. TO BE INSTALLED WITH PROPER VENTILATION
- LOAD BANK SKID GRATED BOLT ON- 8' X 3'

THIS DRAWING CONTAINS CONFIDENTIAL INFORMATION OF A PROPRIETARY NATURE TO SIMMAX INC. REPRODUCTION, TRANSMISSION OR USE FOR ANY PURPOSE WITHOUT THE EXPRESS WRITTEN CONSENT OF SIMMAX INC. IS STRICTLY PROHIBITED.

TOLERANCE UNLESS NOTED			
DIMENSIONS	X.X	X.XX	X.XXX
INCH	±1/16"	±1/64"	±1/128"
mm	±1.0	±0.375	±0.125
ANGLE	±0.5		

THIRD ANGLE PROJECTION

FOR APPROVAL (CHECK ONE ONLY)

APPROVED

APPROVED, SEE CHANGES

RE-SUBMIT, SEE CHANGES

NOT APPROVED

SIGNED: \_\_\_\_\_ DATED: \_\_\_\_\_

CUSTOMER:

**PENNWEST EXPLORATION**

CALGARY

13C206

NOTES:

NO.	DESCRIPTION

DRAWN BY: H.HUNJAN

DATE: 09/26/13

CHECKED BY:

REVISIONS			
NO.	DATE	BY	DESCRIPTION

**SIMSON MAXWELL**

TITLE: BUILDING LAYOUT

PROJECT NAME-CORDOVA d-55-A/94-P-10 FACILITY

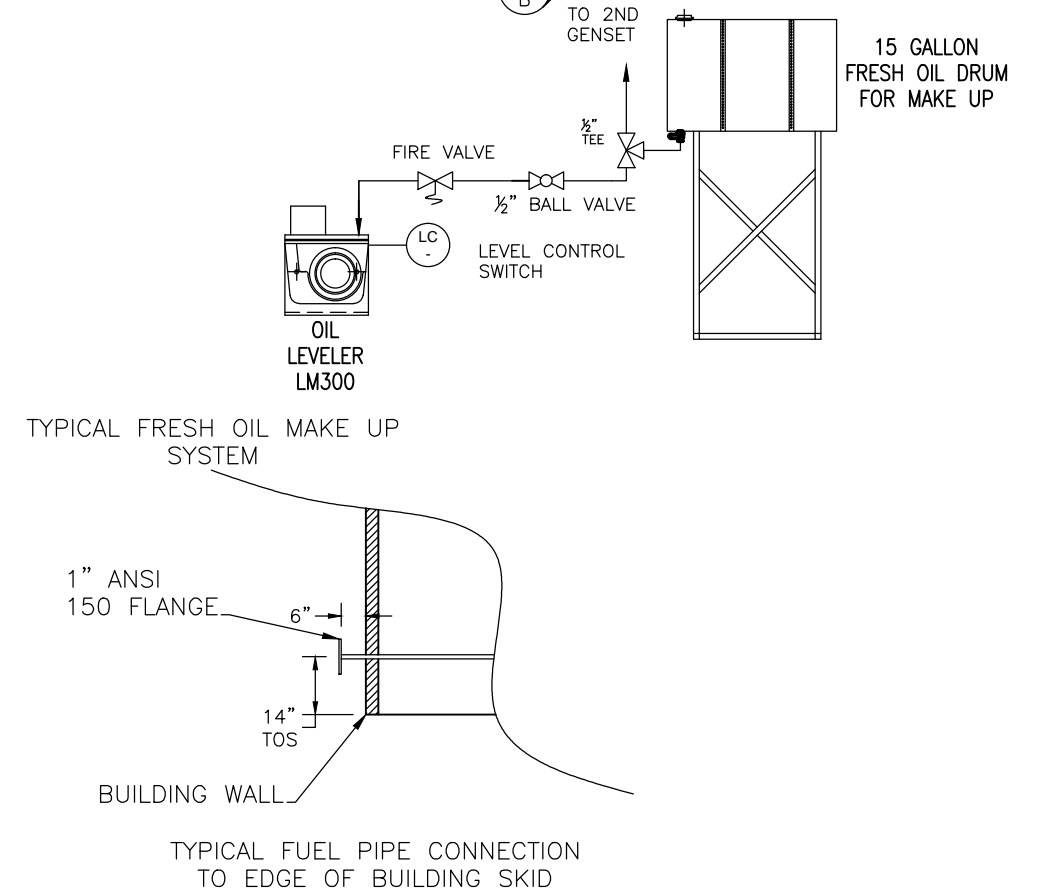
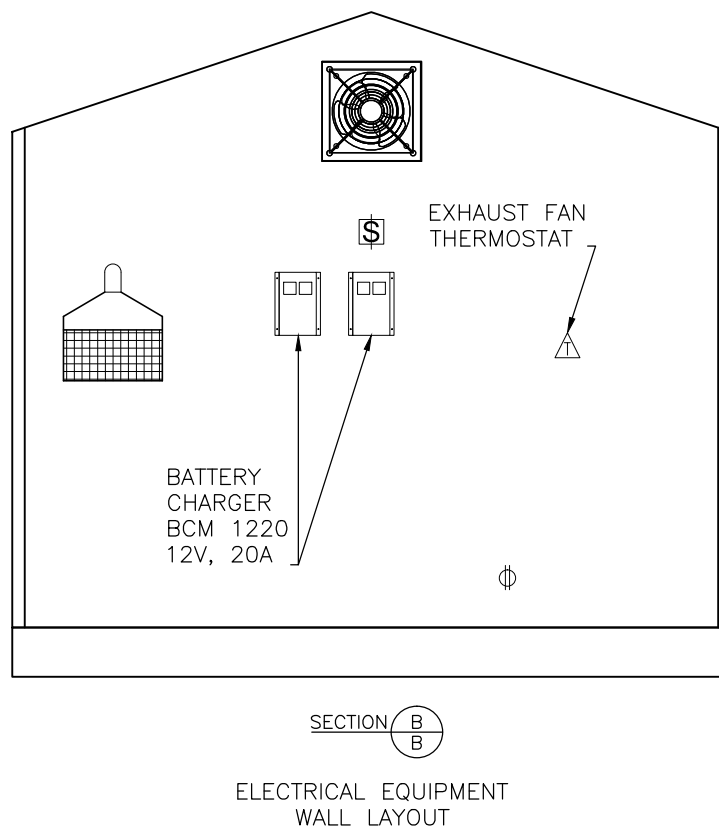
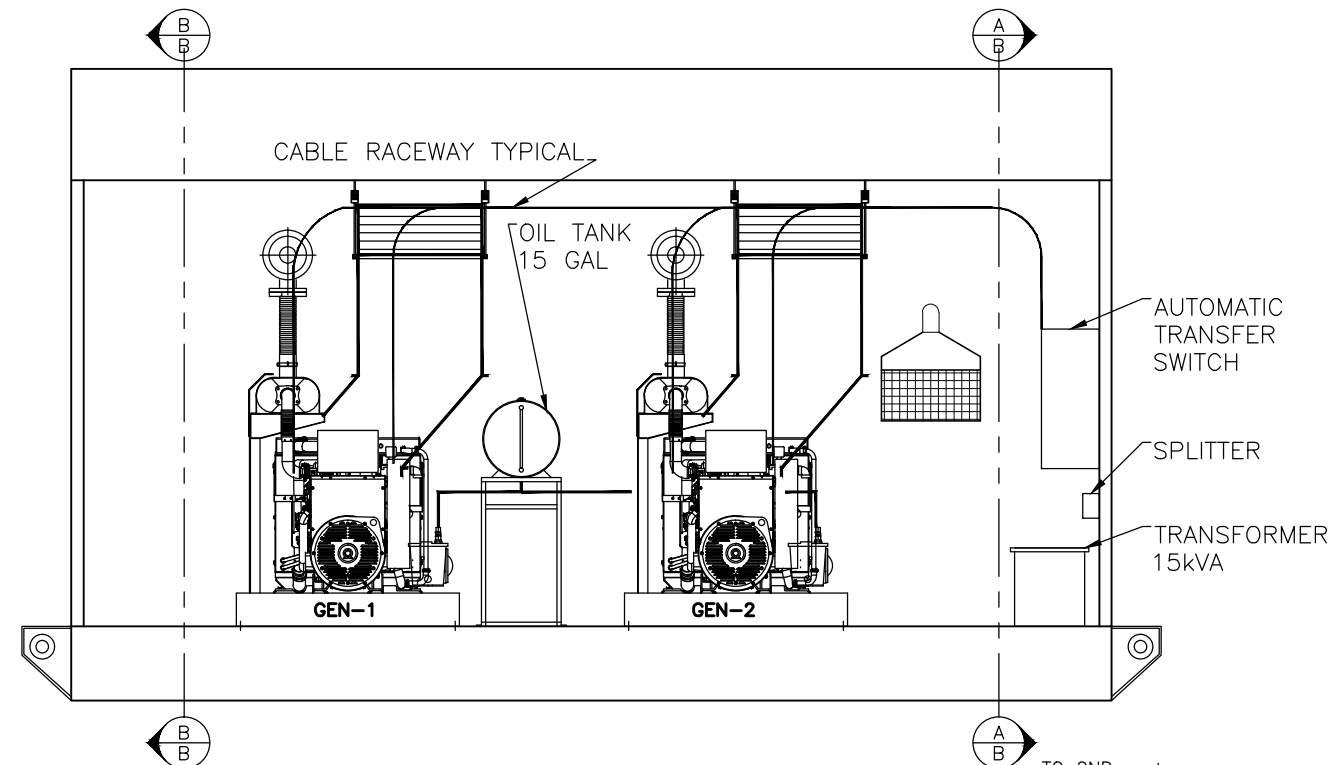
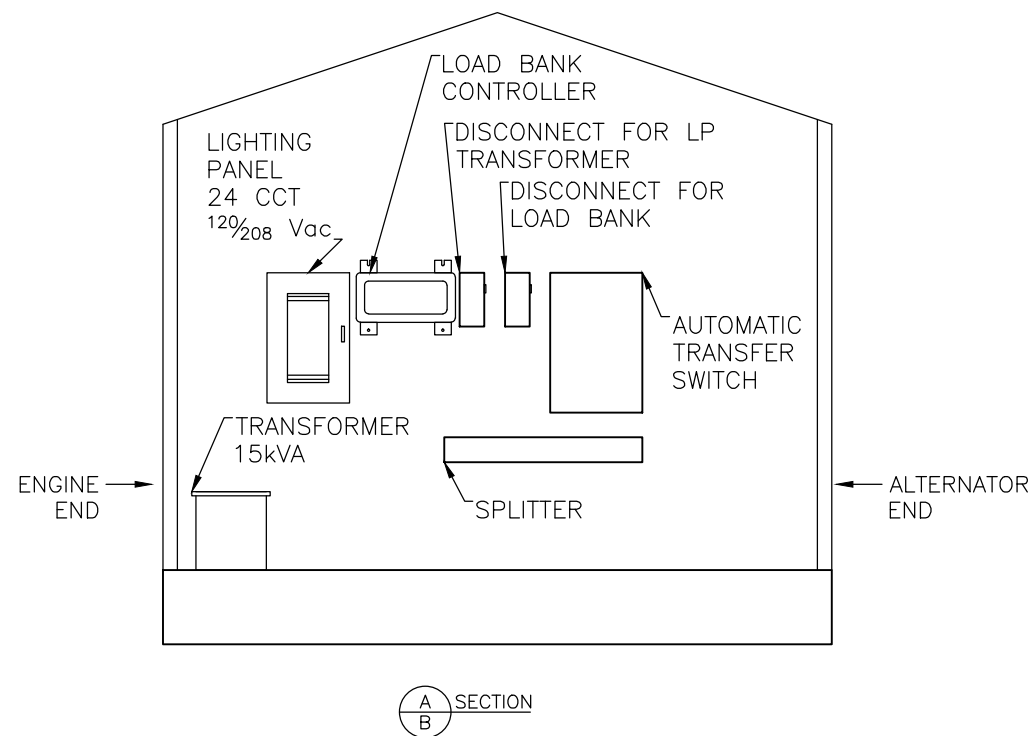
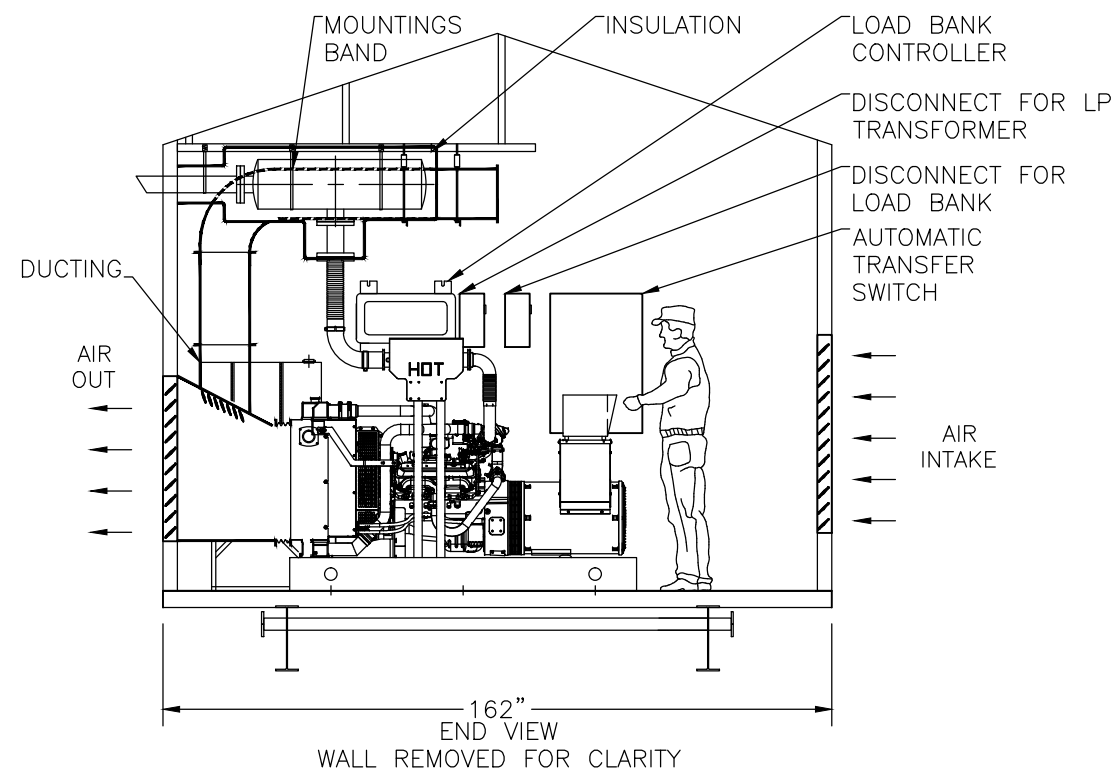
PROJECT NUMBER- PEI-12040

SCALE: NTS

DRAWING NO: 13C206-A

REV: 0

SIZE: B



THIS DRAWING CONTAINS CONFIDENTIAL INFORMATION OF A PROPRIETARY NATURE TO SIMMAX INC. REPRODUCTION, TRANSMISSION OR USE FOR ANY PURPOSE WITHOUT THE EXPRESS WRITTEN CONSENT OF SIMMAX INC. IS STRICTLY PROHIBITED.

TOLERANCE UNLESS NOTED			
DIMENSIONS	X.X	X.XX	X.XXX
INCH	±1/16"	±1/64"	±1/128"
mm	±1.0	±0.375	±0.125
ANGLE	±0.5		

FOR APPROVAL (CHECK ONE ONLY)

APPROVED

APPROVED, SEE CHANGES

RE-SUBMIT, SEE CHANGES

NOT APPROVED

SIGNED: \_\_\_\_\_ DATED: \_\_\_\_\_

CUSTOMER:  
**PENNWEST EXPLORATION**  
  
CALGARY  
13C206

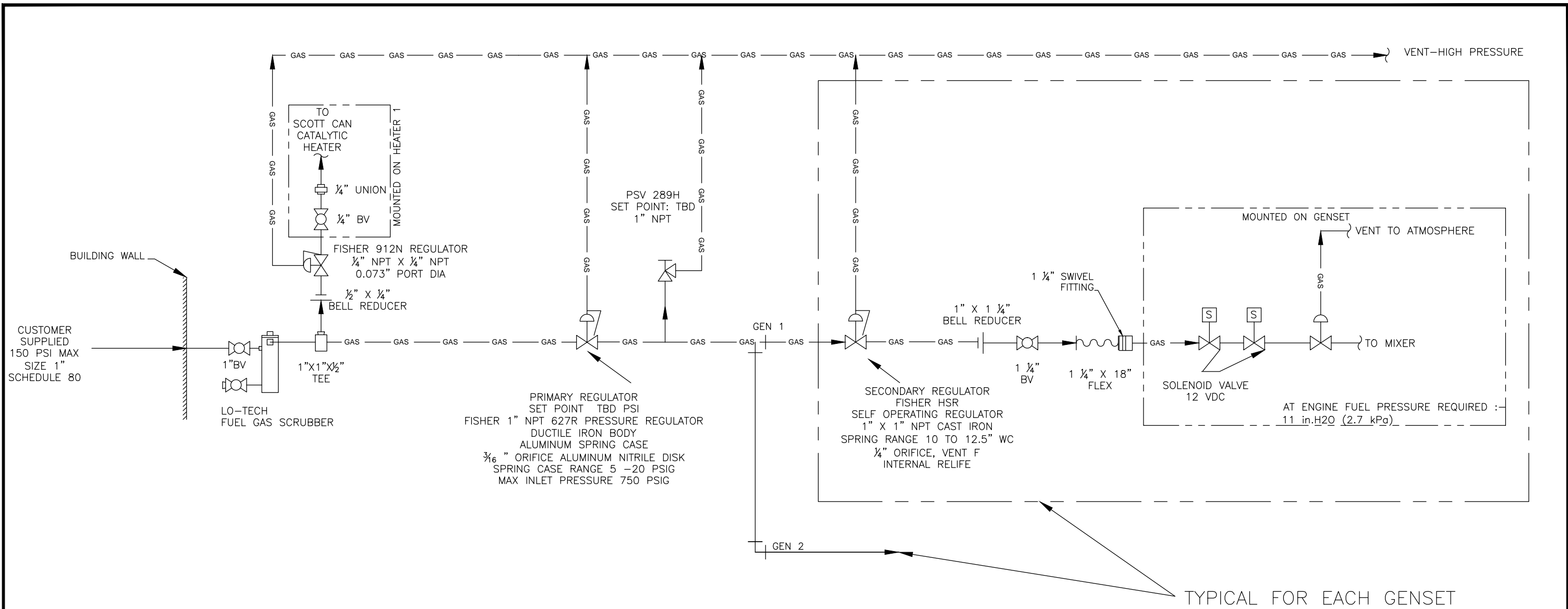
NOTES:	
NO.	DESCRIPTION

DRAWN BY:	H.HUNJAN	DATE:	09/26/13
CHECKED BY:			
REVISIONS			
NO.	DATE	BY	DESCRIPTION

**SIMSON MAXWELL**

TITLE: BUILDING ELEVATION  
PROJECT NAME-CORDOVA d-55-A/94-P-10 FACILITY  
PROJECT NUMBER- PEI-12040

SCALE: NTS    DRAWING NO: 13C206-B    REV: 0    SIZE: B



NOTE-

- ALL LOCAL CODE & FIRE REGULATION ON THIS SUBJECT MUST BE FOLLOWED EXPLICITLY.
- ALL GAS VENTED AND/OR DISCHARGED FROM ENGINE EQUIPMENT SHOULD BE PIPED TO SAFE AREA TO MEET APPLICABLE CODE.
- ALL GAS PIPE SCHEDULE 80 ,PAINTED YELLOW

THIS DRAWING CONTAINS CONFIDENTIAL INFORMATION OF A PROPRIETARY NATURE TO SIMMAX INC. REPRODUCTION, TRANSMISSION OR USE FOR ANY PURPOSE WITHOUT THE EXPRESS WRITTEN CONSENT OF SIMMAX INC. IS STRICTLY PROHIBITED.	FOR APPROVAL (CHECK ONE ONLY)	CUSTOMER:  <b>PENNWEST EXPLORATION</b>  CALGARY 13C206	NOTES: NO. DESCRIPTION	DRAWN BY: H.HUNJAN CHECKED BY:	DATE: 09/26/13	
	<input type="checkbox"/> APPROVED <input type="checkbox"/> APPROVED, SEE CHANGES <input type="checkbox"/> RE-SUBMIT, SEE CHANGES <input type="checkbox"/> NOT APPROVED		REVISIONS NO. DATE BY DESCRIPTION	TITLE: P&ID PROJECT NAME-CORDOVA d-55-A/94-P-10 FACILITY PROJECT NUMBER- PEI-12040		
TOLERANCE UNLESS NOTED DIMENSIONS X.X X.XX X.XXX INCH ±1/16" ±1/64" ±1/128" mm ±1.0 ±0.375 ±0.125 ANGLE ±0.5	THIRD ANGLE PROJECTION	SIGNED: _____ DATED: _____	SCALE: NTS	DRAWING NO: 13C206-C	REV: 0	SIZE: B