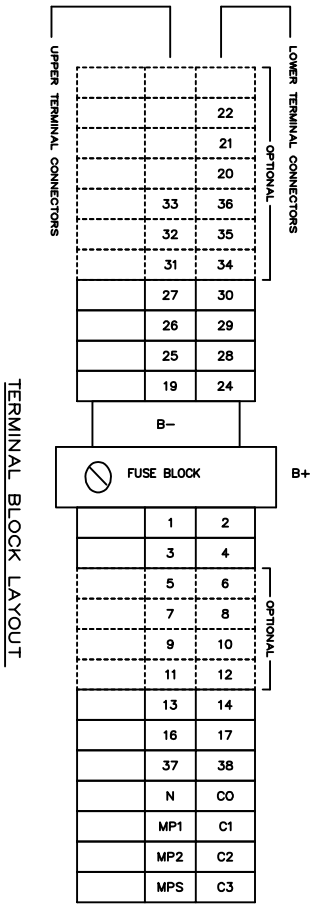
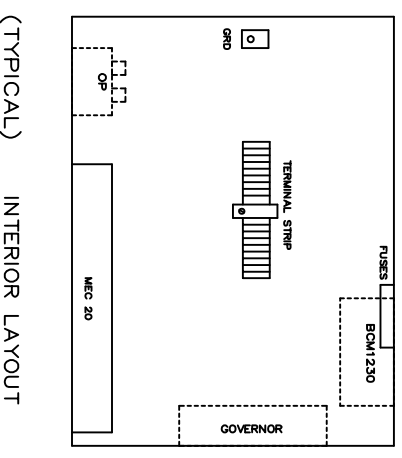
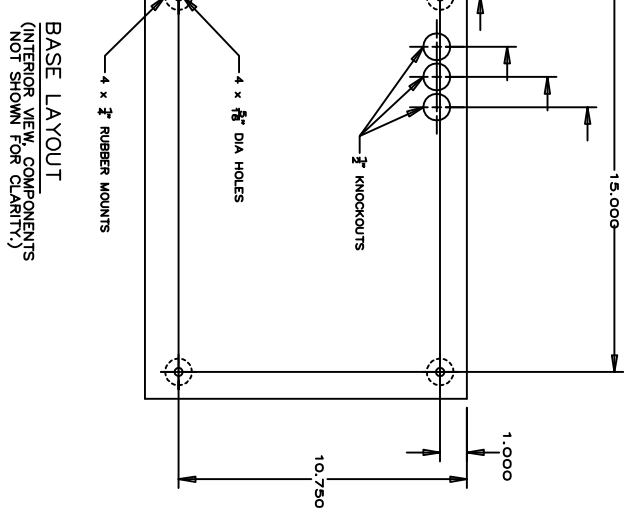
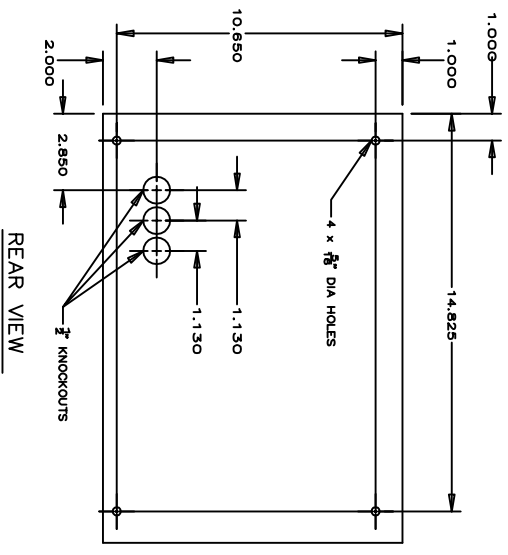
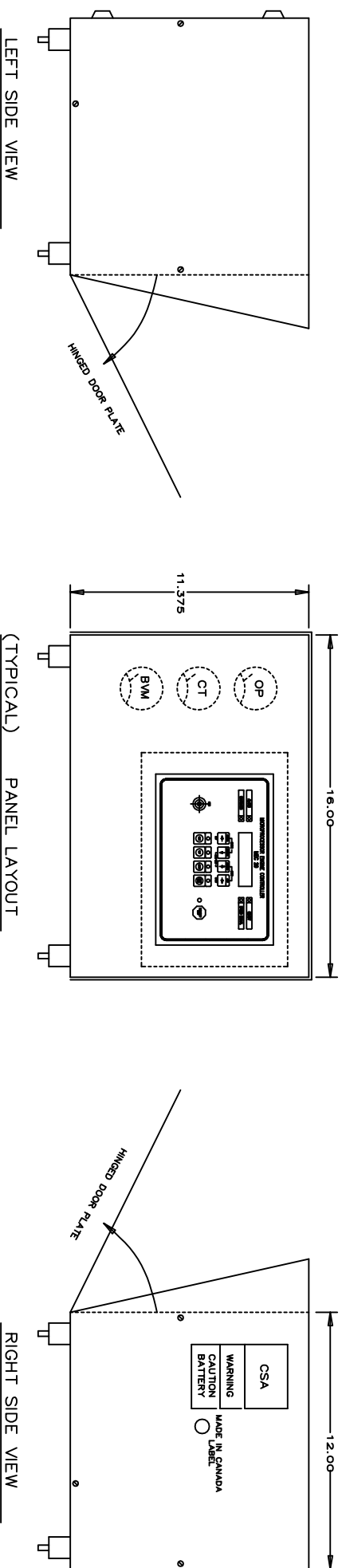


UCS 200C [E1 ENCLOSURE]



SYMBOL LEGEND	
	COMMON POSITIVE CONDUCTOR ["+]
	COMMON NEGATIVE CONDUCTOR ["-]
	COMMON CHASSIS GROUND
	COMMON NEUTRAL CONDUCTOR
	EQUIPMENT SAFETY GROUNDING CONDUCTOR
	DASHED CONNECTIONS BY INSTALLER
	CONTROL WIRE - TEW

SYSTEM CHARACTERISTICS	
GENERATOR OUTPUT	_____ KW
AC VOLTAGE	_____ VAC
FREQUENCY	_____ HZ
DC VOLTAGE	_____ VDC
SYSTEM	_____ PHASE

UCS 200C WIRING OPTIONS	
NOTE: REFER TO MEC 20 PROGRAMMING SHEETS FOR SOFTWARE OPTIONS.	
EXTRA DIGITAL FAULTS	QTY [] MAX=8
EXTRA PROGRAMMABLE OUTPUTS	QTY [] MAX=3
IDLE CONTROL	<input type="checkbox"/>
ANALOG ENGINE GAUGES	
TTI ELECTRIC OP/CT	<input type="checkbox"/>
MURPHY SWITCHGAUGE OP/CT	<input type="checkbox"/>
DC VOLTMETER	<input type="checkbox"/>
PANEL ILLUMINATION LIGHT	<input type="checkbox"/>
BATTERY TRICKLE CHARGER [2A]	<input type="checkbox"/>
WIRE FOR GOVERNOR	<input type="checkbox"/>
BARBER COLEMAN DYNA 8000	<input type="checkbox"/>
BARBER COLEMAN DYNA 2500	<input type="checkbox"/>
WOODWARD 1712/1724	<input type="checkbox"/>
GAC 5500	<input type="checkbox"/>
3Ø, 3W VOLTAGE SENSING PTS	<input type="checkbox"/>
BLOCK HEATER DISCONNECT RELAY	<input type="checkbox"/>
AIRFLAP OUTPUT	<input type="checkbox"/>
ENERGIZE TO STOP OUTPUT	<input type="checkbox"/>
PREHEAT OUTPUT	<input type="checkbox"/>

TTI STANDARD CONSTRUCTION	
1	TERMINAL DATA: DC POSITIVE & NEGATIVE TERMINALS ALL TERMINALS VLET4-4 DOUBLE TERM S. 1C - #20-#8, 2C - #14AWG MAX.
2	10X SPARE TERMINALS PROVIDED.
3	WIRING DATA: COLOUR CODE - PER DWG. WIRE MARKERS - NONE CRIMP CONNECTORS - NONE WIRE TYPE #18-#14AWG TEW 105°C. COPPER CONTROL WIRE.
4	EXTERNAL LABELING: WHITE LETTERS ON BLACK BACKGROUND LAMICONS, AFFIXED BY MEANS OF SELF-ADHESIVE BACKING.
5	INTERNAL LABELING: VINYL LABELS WITH INDELEBILE INK PRINTING, MATCHING DEVICE DESIGNATIONS ON DRAWINGS.

APPROVED FOR CONSTRUCTION
 MASTER COPY REFERENCE COPY OF _____
 MULTIPLE UNIT WORK ORDER
 RELEASED FOR INFORMATION
 AUTH. BY: _____ DATE: _____

DRAWING No.		REFERENCE DRAWINGS	
No.	REV	No.	REV
13	SH BD 00-08-17	13	SH NS 00-06-21
12	SH NS 00-06-21	11	SH BD 99-12-08
11	SH BD 99-12-08	10	SH BD 98-08-31
10	SH BD 98-08-31		

SERIAL NO. _____
 REF. _____



GENERATOR CONTROL PANEL
 MODEL UCS200C(E1 ENCLOSURE)
 PHYSICAL LAYOUT

DRAWINGS AND/OR OTHER TECHNICAL INFORMATION	
DRAWN BY	JCH BY
DATE	97-05-07
REV	13
DRAWING No.	7B000902
SHEET	1/2