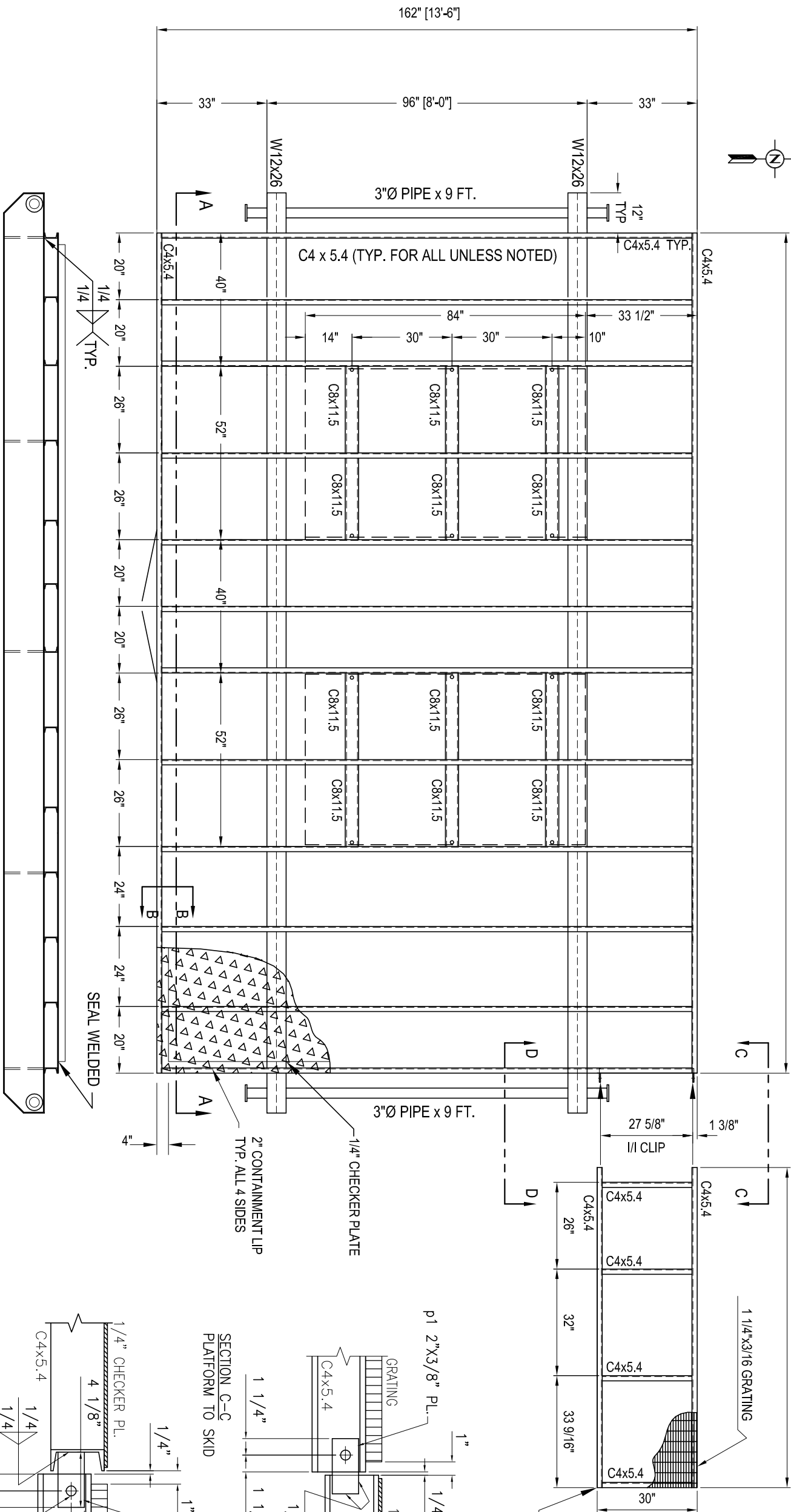
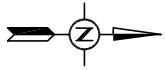


252" [21'-0"]

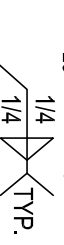


END SUPPORTED ON PILE
(BY OTHERS)

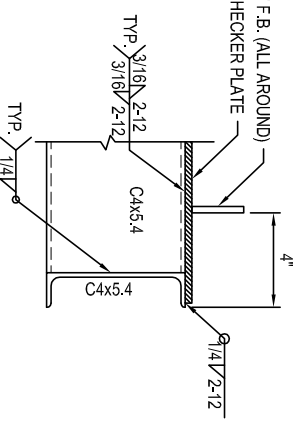
SKID / STEEL NOTES:

- WELDING SHALL BE IN GENERAL CONFORMANCE WITH CSA W59-2003.
- WELDS TO BE 1/4" CONTINUOUS FILLET WELD UNLESS NOTED.
- CHECKER PLATE TO BE STITCH WELDED TO SKID USING 3/16" FILLETS 2" AT 12" INTERVALS.
- CHECKER PLATE SEAMS TO BE WELDED CONTINUOUSLY ON ONE SIDE.
- ALL WORK SHALL GENERALLY CONFORM TO THE LATEST EDITIONS OF THE FOLLOWING CODES AND STANDARDS:
 - * CSA W47.1-92
 - * CISC HANDBOOK OF STEEL CONSTRUCTION
- ALL STEEL SHALL BE OF NEW STOCK AND SHALL BE IN ACCORDANCE WITH CSA G40.21-M.
 - * STRUCTURAL STEEL = GRADE 350W
 - * CHANNELS & ANGLES = GRADE 300W
 - * CHECKER & FLAT PLATE = GRADE 300W
- FILLER METAL SHALL CONFORM TO CSA STD. W48.5-M-E4802C-6-CH.
- 2" SPRAY FOAM INSULATION w/ TOWERTHON II FIRE RETARDANT COATING ON THE UNDERSIDE
- SP-3 SURFACE PREPARATION (TOP AND SIDES)
- ONE COAT OF RUSTEX PRIMER
- ONE COAT OF INDUSTRIAL ENAMEL FINISH
- FINISH COLOR IS TO BE **WARM GREY**

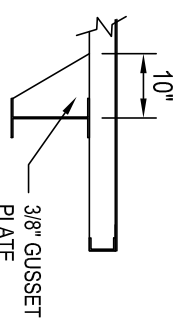
SECTION A-A



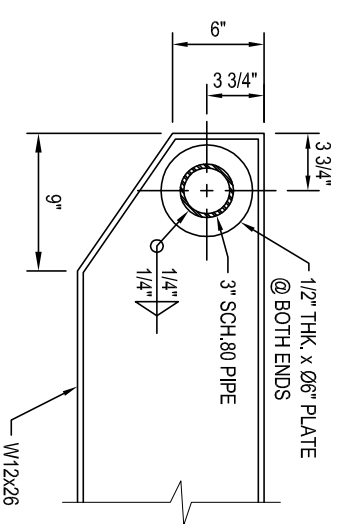
SECTION B-B



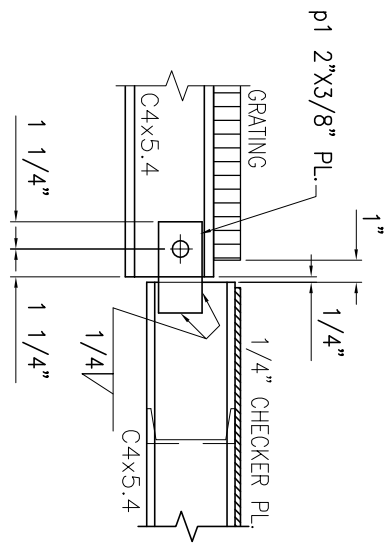
GUSSET DETAIL @ 10 LOCATIONS



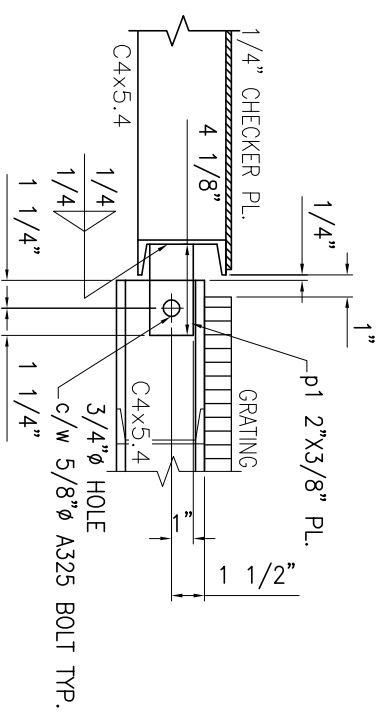
TOW BAR DETAIL



SECTION C-C PLATFORM TO SKID



SECTION D-D PLATFORM TO SKID



6999 84 ST SE,
Calgary, Alberta, T2C 4T6
Telephone (403) 720-9425
Fax (403) 720-9426

Rev. No.	Description	Date	Drawn By	Checked By
A	FOR INFORMATION ONLY	20/09/2013	SB	
B				
0				
CUSTOMER P.O.#				
PENN WEST				
REFERENCE				
SIMSON MAXWELL				
CUSTOMER P.O.#				
SIMSON MAXWELL'S YARD IN CALGARY				
LOCATION				
2013				
DATE REQUIRED				
JOB NUMBER				
DRAWING #				
Dwg Name				
SKID DRAWING - SHOP & FIELD PRINT				