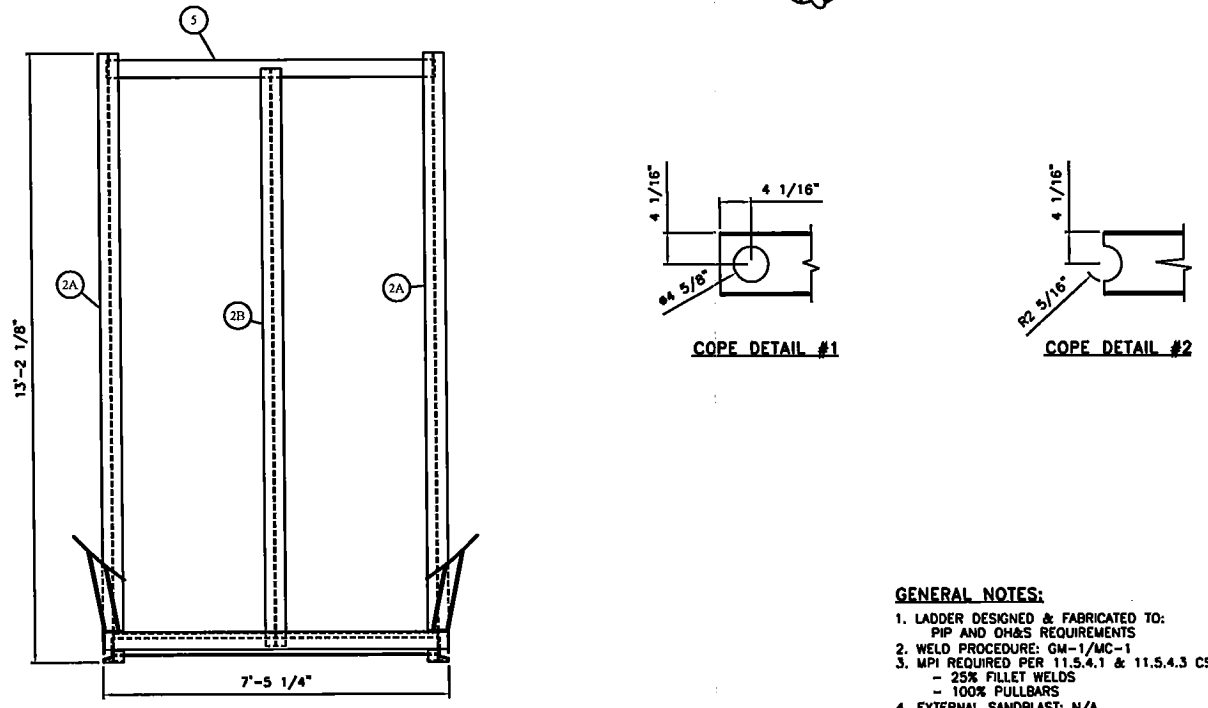
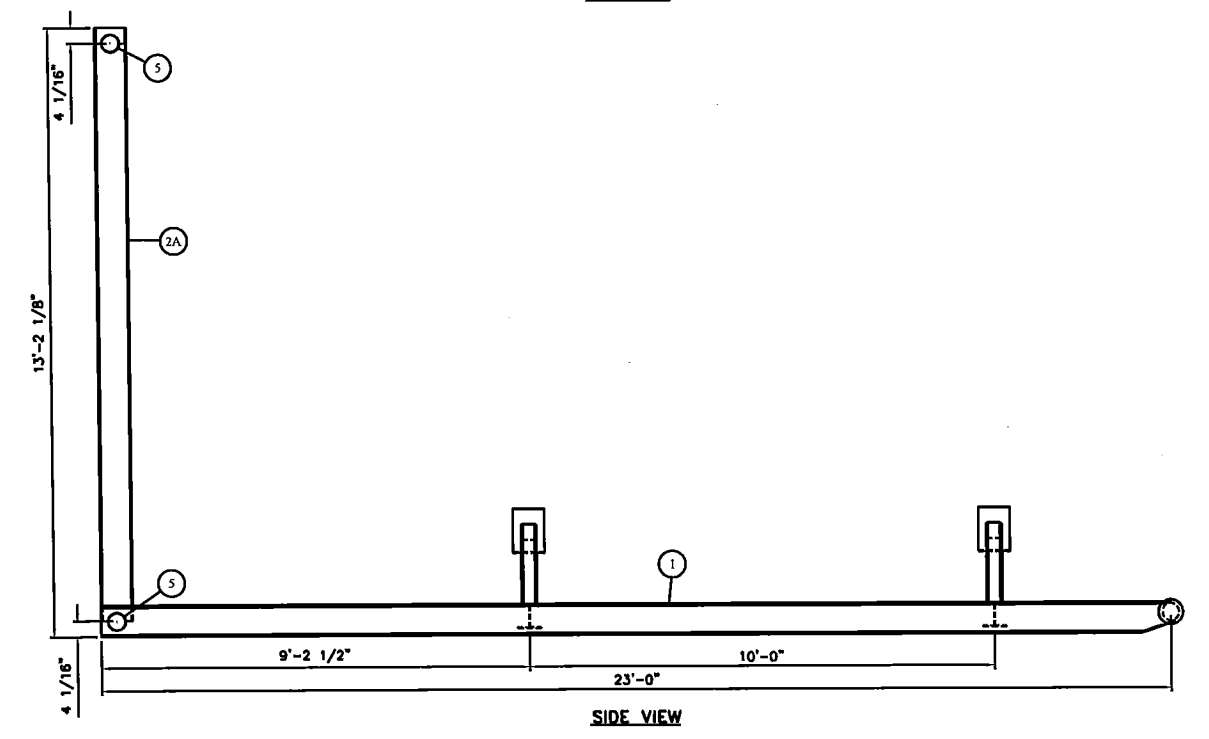
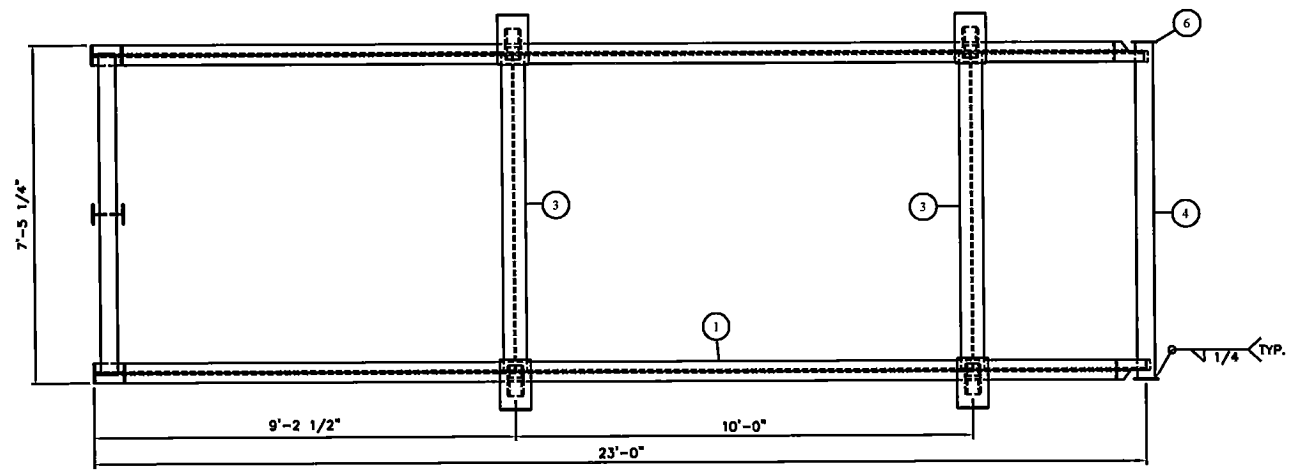
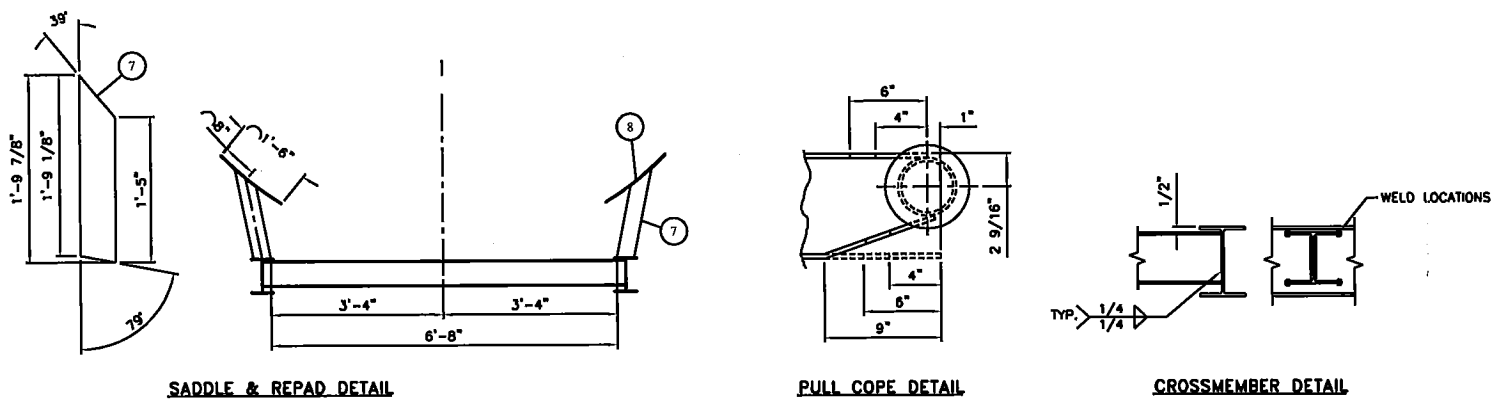


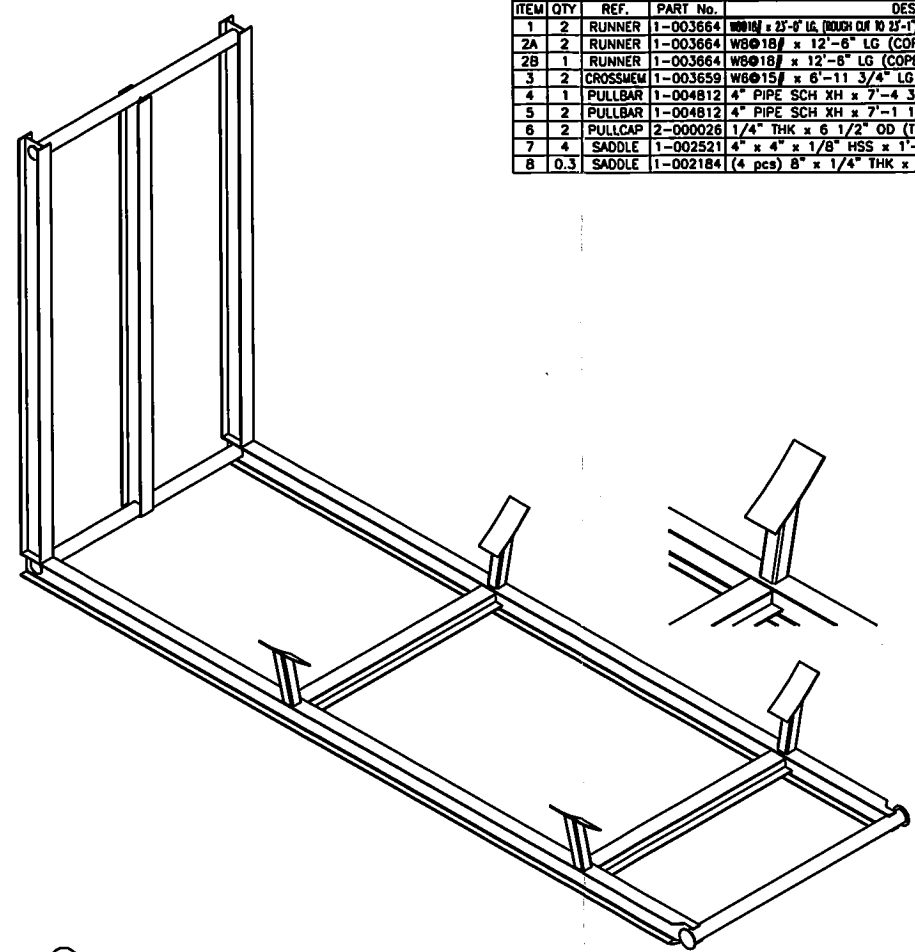


FILE PATH: M:\Meindone\CAD\Tanks\11100-11199\11160-1



REV. NO.	DATE	REVISION	BY	APP'D
0	01/03/11	ISSUED FOR FABRICATION	DDD	

BILL OF MATERIALS						
ITEM	QTY	REF.	PART No.	DESCRIPTION	MATERIAL	WEIGHT
1	2	RUNNER	1-003664	WB@18 x 25'-0" LG (ROUGH CUT TO 23'-0" COPE ONE END - PULL COPE DETAIL ONE COPE #1)	SA-36	830
2A	2	RUNNER	1-003664	WB@18 x 12'-6" LG (COPE ONE END AS PER DETAIL #1)	SA-36	450
2B	1	RUNNER	1-003664	WB@18 x 12'-6" LG (COPE BOTH ENDS AS PER DETAIL #2)	SA-36	225
3	2	CROSSMEM	1-003659	WB@15 x 6'-11 3/4" LG	SA-36	333
4	1	PULLBAR	1-004812	4" PIPE SCH XH x 7'-4 3/4" LG	SA-53B	65
5	2	PULLBAR	1-004812	4" PIPE SCH XH x 7'-1 1/4" LG	SA-53B	120
6	2	PULLCAP	2-000026	1/4" THK x 6 1/2" OD (TEMPLATE #12)	SA-36	5
7	4	SADDLE	1-002521	4" x 4" x 1/8" HSS x 1'-9 7/8" LG (SEE DETAIL)	SA-36	32
8	0.3	SADDLE	1-002184	(4 pcs) 8" x 1/4" THK x 1'-6" LG, ROLL TO 11'-10" ID	SA-36	40



CERTIFIED AS BUILT

- GENERAL NOTES:**
- LADDER DESIGNED & FABRICATED TO: PIP AND OH&S REQUIREMENTS
  - WELD PROCEDURE: GM-1/MC-1
  - MPI REQUIRED PER 11.5.4.1 & 11.5.4.3 CSA W59 LATEST EDITION
    - 25% FILLET WELDS
    - 100% PULLBARS
  - EXTERNAL SANDBLAST: N/A
  - EXTERNAL FINISH: N/A
  - APPROXIMATE WEIGHT: 2,200 LBS

**BILTON**  
Welding & Manufacturing Ltd.

BOX 6106  
5815 37 Street  
INNISFAIR, AB  
CANADA  
403-227-7799  
1-888-227-4923  
FAX 227-7796

**BILTON WELDING & MANUFACTURING LIMITED**  
400 BBL STORAGE TANK  
L SKID DETAIL

DATE: 01/03/11  
SHEETS: 1 OF 1  
DRAWN BY: DDD  
PURCHASE ORDER: -  
LOCATION: -  
APP'D BY: -

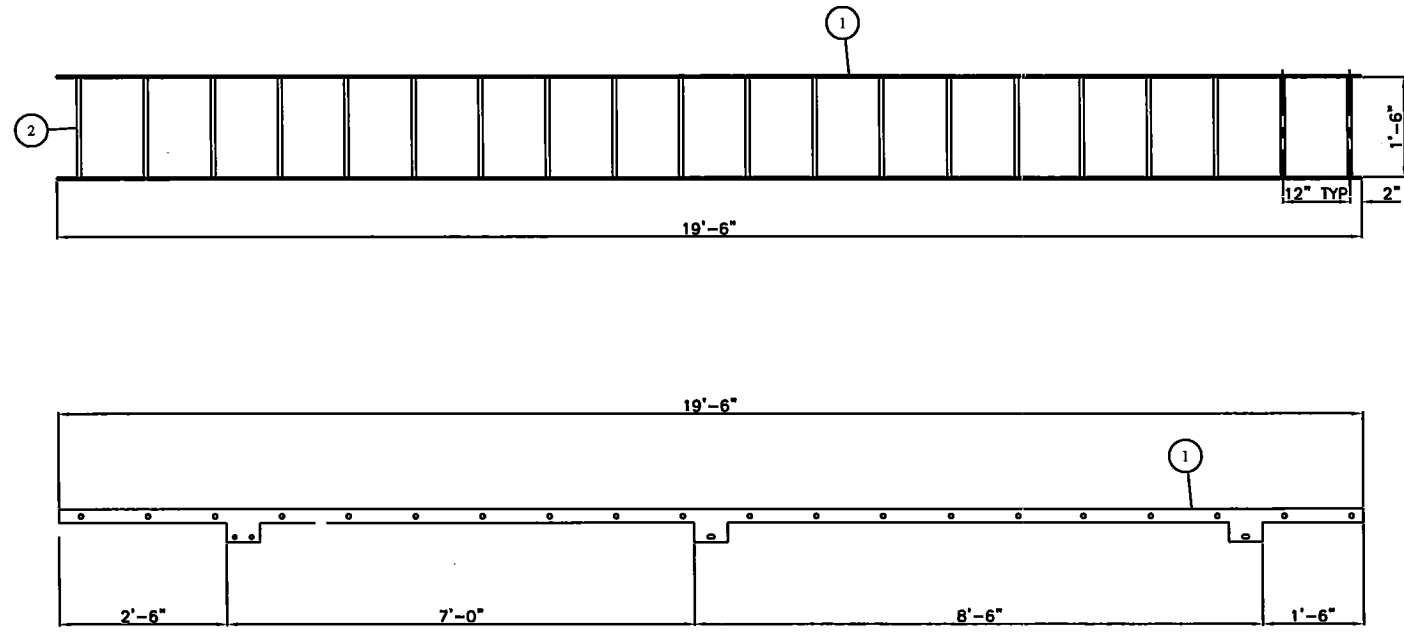
SALE ORDER: -  
JOB ORDER: -  
DRAWING NO.: 11160  
REV.: D

**GENERAL NOTES:**

1. LADDER DESIGNED & FABRICATED TO:  
PIP AND OH&S REQUIREMENTS
2. WELD PROCEDURE: GM-1/MC-1
3. EXTERNAL SANDBLAST: N/A
4. EXTERNAL FINISH: N/A
5. APPROXIMATE WEIGHT: 190 LBS

**BILL OF MATERIALS**

ITEM	QTY	REF.	PART No.	DESCRIPTION	MATERIAL	WEIGHT
1	2	LADDER	2-000044	RAIL: 3/8" THK x 234" LG	SA-36	140#
2	20	LADDER	1-006299	RUNGS: 3/4" HRR x 1'-6 3/4" LG	SA-36	48#



LADDER DETAILS

CERTIFIED  
AS BUILT

REV. NO.	DATE	REVISION	BY	APP'D
0	01/28/11	ISSUED FOR FABRICATION	DDD	

**BILTON**  
Welding & Manufacturing Ltd.

BOX 6106  
5815 37 Street  
INNISFAIL, AB  
CANADA  
403-227-7799  
1-888-227-4923  
FAX 227-7796

This drawing is property of BILTON WELDING & MANUFACTURING LTD and is loaned to the recipient for their confidential use only. In consideration of the loan of this drawing, the recipient promises and agrees that it shall not be used in any way detrimental to the interests of BILTON WELDING & MANUFACTURING LTD. That it shall be returned upon request, and shall not be reproduced, copied, lent, or otherwise disposed of, directly or indirectly, without the written consent of BILTON WELDING & MANUFACTURING LTD.

<b>BILTON WELDING &amp; MANUFACTURING LTD.</b>			
400 BBL TANK LADDER DETAILS			
DATE: 01/17/11	SALE ORDER: -		SIZE
SHEET: 1 OF 1	JOB ORDER: 11238	D	
DRAWN BY: DDD	DRAWING NO.: 11238-1		
PURCHASE ORDER: -	REV. 0		
LOCATION: -	APP'D BY:		

FILE PATH: