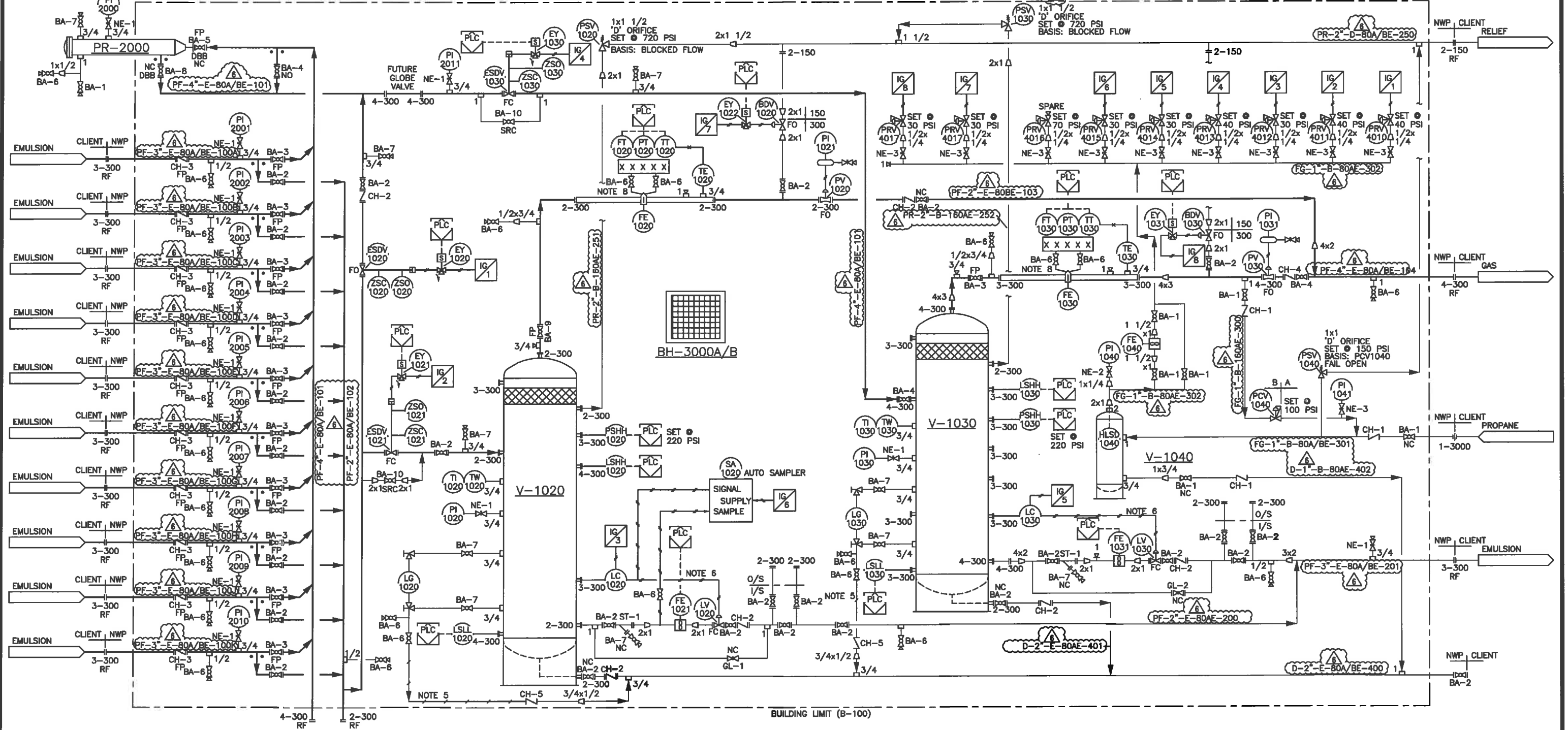


ORIGINAL

<p><b>BH-3000A/B</b> BUILDING HEATER MFR: RUFFNECK MODEL NO.: FX5-480360-15-WT ELECTRIC, 480 VAC</p>	<p><b>PR-2000</b> PIG RECEIVER MFR: NWP INDUSTRIES INC SIZE: 6" x 4" MAWP: 740 PSI @ 100°F MDMT: -20°F @ 740 PSI CRN NO.: OH11884.213</p>	<p><b>V-1020</b> TEST SEPARATOR MFR: NWP INDUSTRIES INC SIZE: 24" OD x 7'-6" S/S MAWP: 740 PSI @ 100°F MDMT: -20°F @ 740 PSI CRN NO.: M1505.213</p>	<p><b>V-1030</b> GROUP SEPARATOR MFR: NWP INDUSTRIES INC SIZE: 36" OD x 10' S/S MAWP: 720 PSI @ 100°F MDMT: -20°F @ 720 PSI CRN NO.: P-5375.213</p>	<p><b>V-1040</b> FUEL GAS SCRUBBER MFR: NWP INDUSTRIES INC SIZE: 8 5/8" OD x 23" S/S MAWP: 285 PSI @ 100°F MDMT: -50°F @ 285 PSI CRN NO.: OH09319.213</p>
--	---	---	---	---



DOCUMENT NO	DESCRIPTION	REV	DATE	BY	CHK	APP
08260-8A	6" PIG RECEIVER	4	2012.05.29	JHK	GH	DF
08260-5B	36" OD VESSEL ASSEMBLY	3	2012.05.09	JHK	GH	DF
08260-5A	24" OD VESSEL ASSEMBLY	2	2012.04.04	JHK	GH	DF
08260-3	SKID ASSEMBLY	1	2012.03.30	JHK	-	-
08260-2	PIPING ASSEMBLY	0	2012.03.01	JHK	-	-
08260	GENERAL ARRANGEMENT	6	2012.06.15	JHK	GH	DF
08260	GENERAL ARRANGEMENT	5	2012.06.04	JHK	GH	DF

REV	DATE	BY	CHK	APP	DESCRIPTION
4	2012.05.29	JHK	GH	DF	RFDC #00989 GENERAL REVISIONS
3	2012.05.09	JHK	GH	DF	RFDC #00917,00918, 00939, 00958 GENERAL REVISIONS
2	2012.04.04	JHK	GH	DF	ISSUED FOR CONSTRUCTION
1	2012.03.30	JHK	-	-	ISSUED FOR APPROVAL
0	2012.03.01	JHK	-	-	ISSUED FOR APPROVAL
6	2012.06.15	JHK	GH	DF	RFDC #01038 REVISE LINE TAGS, ADD CRN
5	2012.06.04	JHK	GH	DF	RFDC #01009 ADD BLOWDOWN VALVES

**ISSUED FOR CONSTRUCTION**

SIGNED: \_\_\_\_\_

DATE: \_\_\_\_\_

W.O.: \_\_\_\_\_

S.O.: \_\_\_\_\_

ALL DIMENSIONS IN INCHES

**NWP INDUSTRIES INC.**  
Total oilfield supply.

P.O. BOX 6280, INNISFAIL, AB T4G 1S9  
PH: (403) 227-4100 FAX: (403) 227-4102

THIS DRAWING IS PROPERTY OF NWP INDUSTRIES INC. AND MAY NOT BE REPRODUCED WITHOUT PERMISSION. THIS DRAWING MUST BE RETURNED UPON REQUEST.

**PENNWEST EXPLORATION DUAL SEPARATOR PACKAGE**  
24" OD x 7'-6" S/S 740 PSI VESSEL  
36" OD x 10' S/S 720 PSI VESSEL  
PIPING AND INSTRUMENTATION DIAGRAM

DWN: JHK	CHK: GH	APP: DF
DATE: 12.02.01	DATE: 12.04.27	DATE: 12.04.27
SCALE: NTS	DWG: 08260-004-1	REV: 6
SHEET: 1 OF 2		

