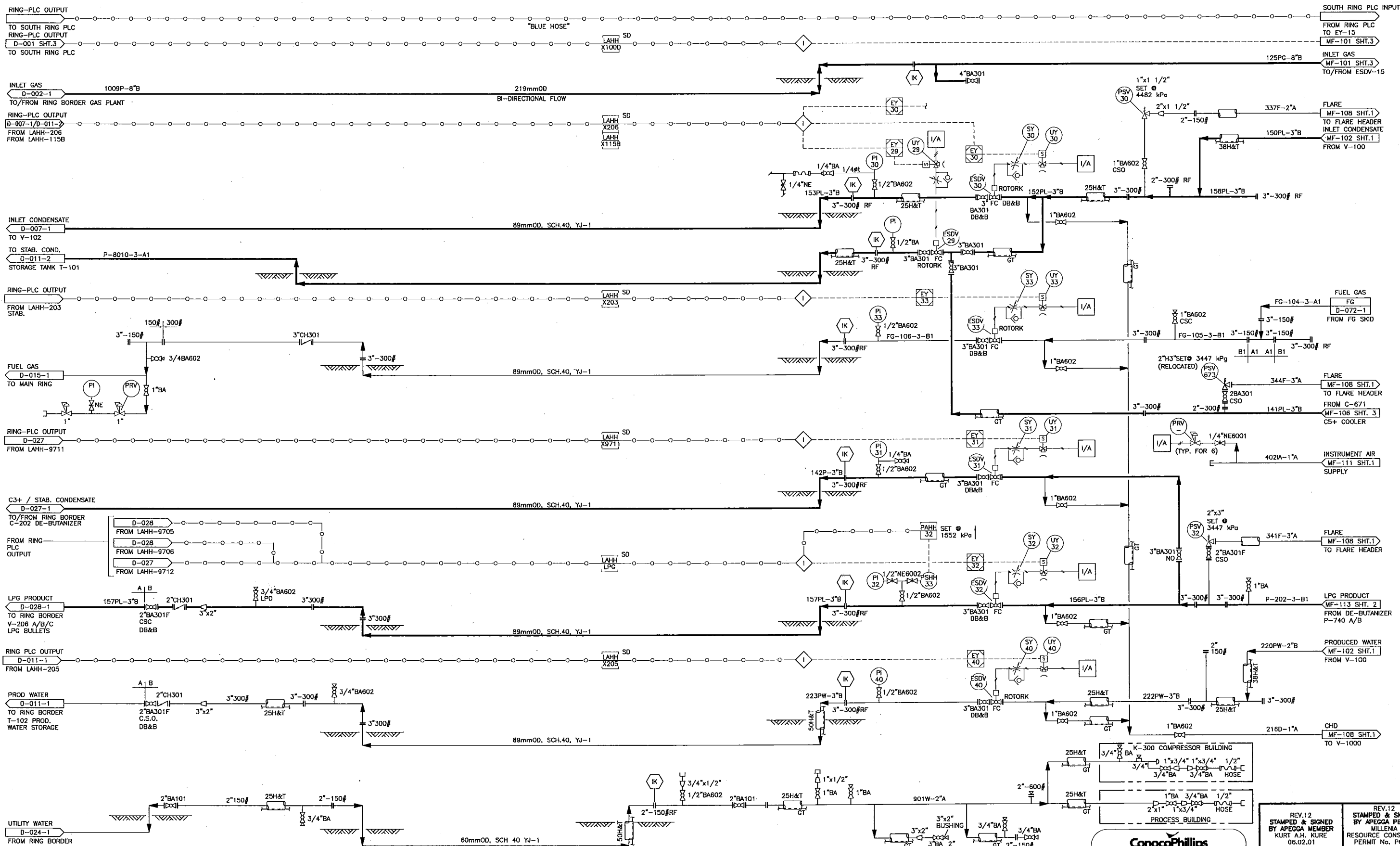


**ConocoPhillips**  
CPC DWG No: SRB-001-PID-011-0001

REFERENCE DRAWINGS	DRAWING No.	REV.	DESCRIPTION	CHK'D.	DATE	BY	DATE	SCALE	AFE NOS.
		6	AS-BUILT FG SKID & SPIKE PLANT	PUL	03.07.25	REV. NO.			600401
		5	REVISED INLET GAS	PUL	03.06.16	ISSUED FOR CONSTRUCTION	KML	01.03.30	NTS
		4	REVISED INLET GAS	MYT	02.07.08	PRE-CONSTR. ISSUE (NOT IFC)	HE	01.02.06	MF-101
		3	AS BUILT	KML	01.05.15	PRELIMINARY ISSUE	HE	01.01.14	1

**ConocoPhillips**  
 SOUTH RING GAS PLANT  
 P. & I.D. - MANIFOLD AREA  
 © c-81-1/94-H-9



**ConocoPhillips**  
CPC DWG No: SRB-001-PID-011-0002

REV.12  
STAMPED & SIGNED  
BY APEGA MEMBER  
KURT A.H. KURE  
06.02.01

REV.12  
STAMPED & SIGNED  
BY APEGA PERMIT  
MILLENA  
RESOURCE CONSULTING  
PERMIT No. P6109  
06.02.01

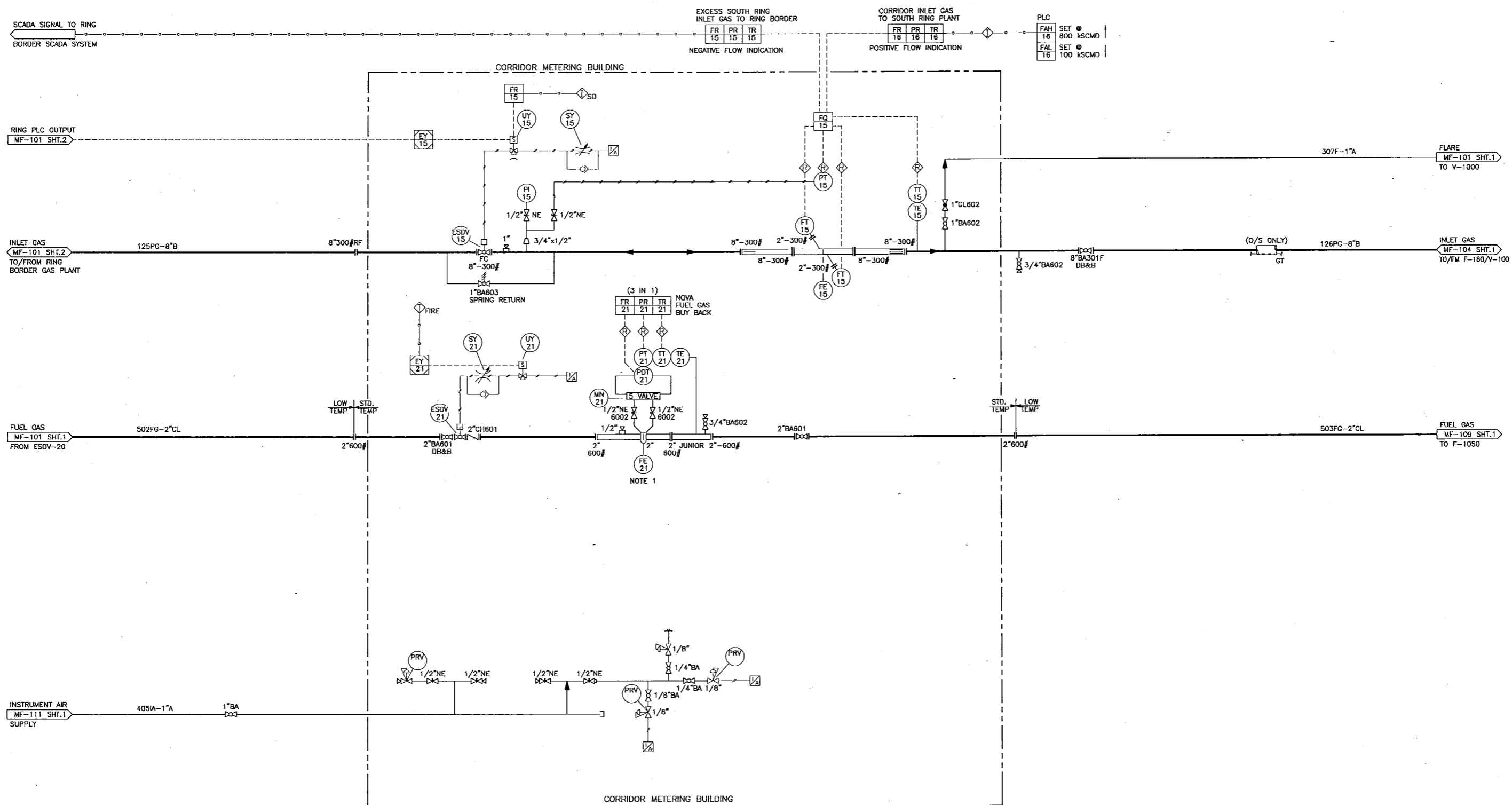
LICENCE AND PERMIT

REFERENCE DRAWINGS	DRAWING No.	DESCRIPTION	DATE	REV. NO.	REVISION	BY	DATE	DATE	DATE
	10	ADDED PSV-673 (MRC# 05553)	05.09.15	6	FG SKID ADDITION - FIELD COMMENTS	PUL	03.06.09	06.10.31	01.01.13
	9	IFC FOR TIE-IN'S (MRC# 05553)	05.08.10	5	2003 FUEL GAS SKID ADDITION	PUL	03.06.04	06.02.01	
	8	AS-BUILT FG SKID & SPIKE PLANT	03.07.25	4	2003 ADDITION	JL	03.03.07		
	7	FG SKID ADDITION - LINE NUMBERS REV.	03.06.10	14	MECHANICAL AS-BUILT - CALTECH PROJ# CS11770	LAM KD	07.07.20 07.07.20		

**ConocoPhillips**  
Canada

**SOUTH RING GAS PLANT**  
P. & I.D. - MANIFOLD AREA  
© c-81-1/94-H-9

AFE NOS. 600401  
SCALE NTS  
DWG NO. MF-101  
SH NO. 2



NOTE:  
 1. ANY MODIFICATION, ADDITION OR DELETION TO THE MEASUREMENT SYSTEMS IN PLACE REQUIRES THE APPROVAL OF THE OGC.



REFERENCE DRAWINGS	DRAWING No.	REV. No.	REVISION	BY	DATE	BY	DATE
		5	MECHANICAL AS-BUILT-CALTECH PROJ# CS11770	LAM	07.07.20	HE	01.02.07
		4	GENERAL REVISION	WT	02.01.24	JJ	01.02.12
		3	AS BUILT	KWL	01.05.15	HE	01.02.07

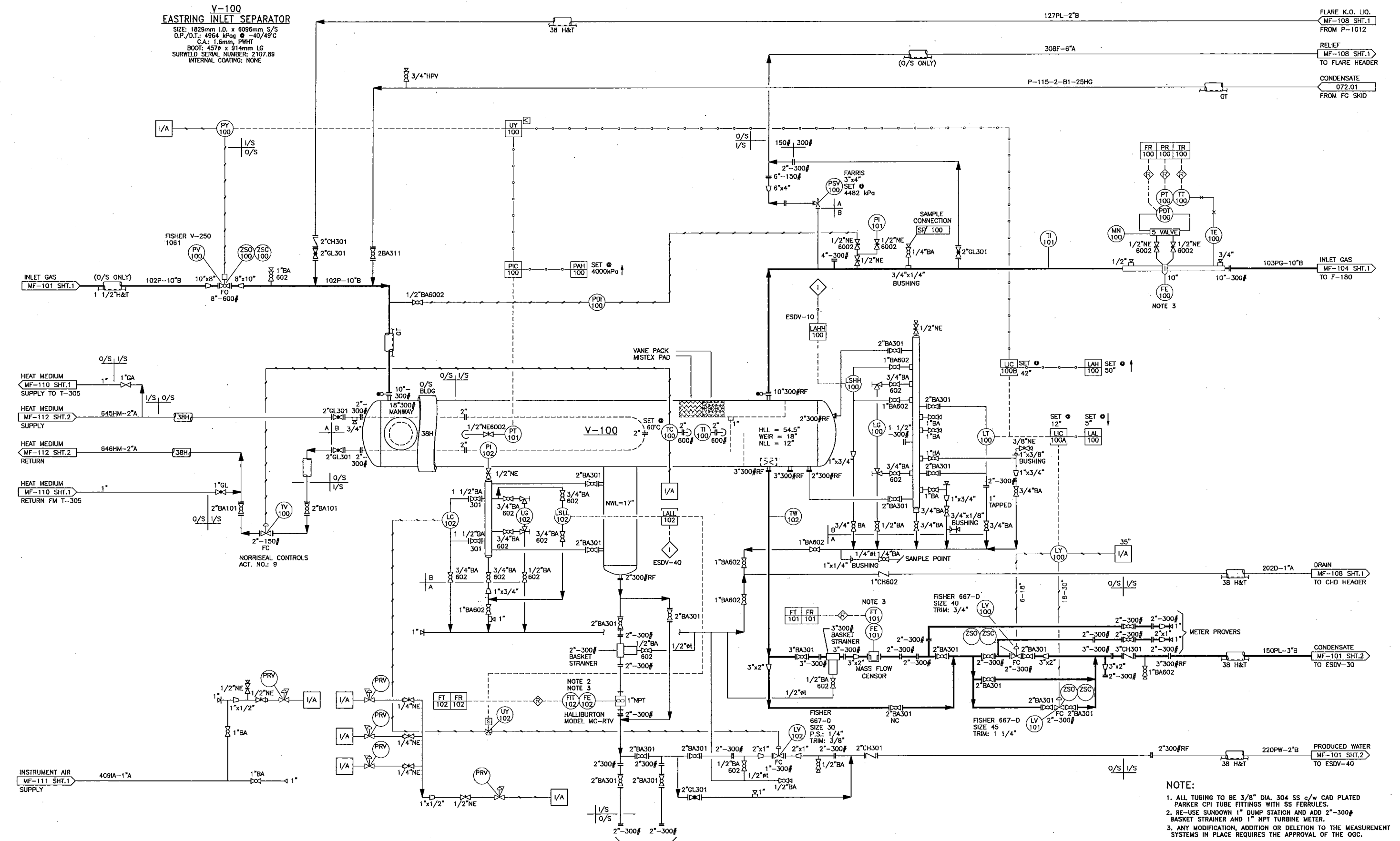
  

BY	DATE	BY	DATE
CHK'D.	APP'D.		
KWL	01.03.30	DRAWN	HE
		CHECKED	
		APPROVED	

<b>ConocoPhillips</b> Canada		AFE NOS.	600401
SOUTH RING GAS PLANT P. & I.D. - CORRIDOR METERING AREA © c-81-1/94-H-9		SCALE	NTS
		DWG NO.	MF-101
		SH. NO.	3

**V-100  
EASTRING INLET SEPARATOR**  
 SIZE: 1829mm I.D. x 6096mm S/S  
 D.P./D.T.: 4964 kPa @ -40/49°C  
 C.A.: 1.5mm, PWHT  
 BOOT: 457# x 914mm LG  
 SURWELD SERIAL NUMBER: 2107.89  
 INTERNAL COATING: NONE



**NOTE:**  
 1. ALL TUBING TO BE 3/8" DIA. 304 SS C/W CAD PLATED PARKER CPI TUBE FITTINGS WITH SS FERRULES.  
 2. RE-USE SUNDOWN 1" DUMP STATION AND ADD 2"-300# BASKET STRAINER AND 1" NPT TURBINE METER.  
 3. ANY MODIFICATION, ADDITION OR DELETION TO THE MEASUREMENT SYSTEMS IN PLACE REQUIRES THE APPROVAL OF THE OGC.

**ConocoPhillips**  
 CPC DWG No: SRB-001-PID-012-0001

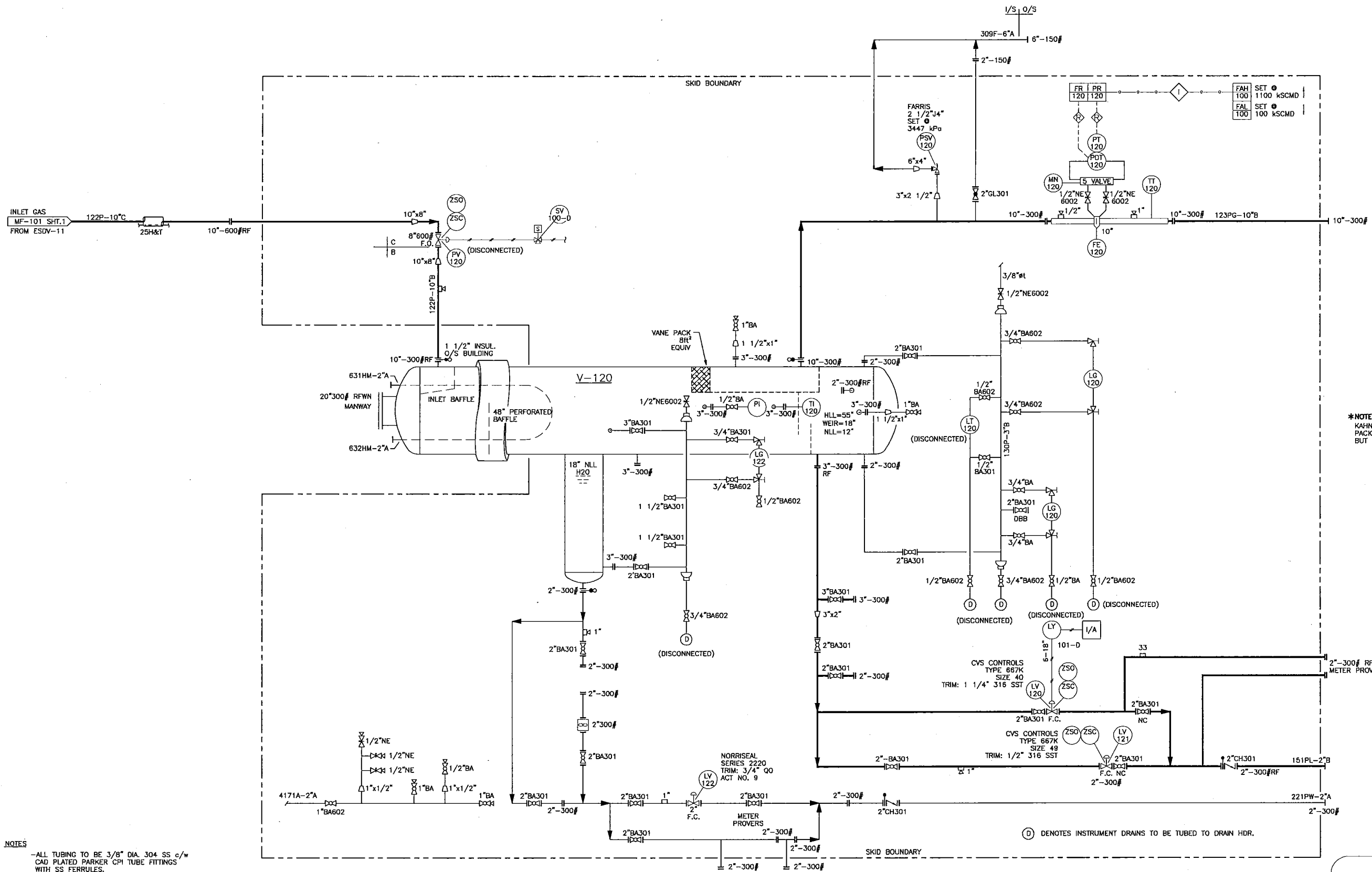
REFERENCE DRAWINGS	DRAWING No.	DESCRIPTION	DATE	REV. NO.	REVISION	BY	DATE	BY	DATE
		AS-BUILT FG SKID & SPIKE PLANT	03.07.25	1	AS-BUILT	KML	01.01.10	HE	01.01.10
		FG SKID ADDITION-LINE NUMBERS REV.	03.06.10	2	ISSUED FOR CONSTRUCTION	KML	01.03.30	HE	00.10.25
		2003 FUEL GAS SKID ADDITION	03.06.04	3	PRE-CONSTR ISSUE (NOT IFC)	HE	01.02.07	CHECKED	
		MECHANICAL AS-BUILT-CALTECH PROJ# CS11770	07.07.20	4	PRELIMINARY ISSUE	KML	01.05.15	APPROVED	

**ConocoPhillips**  
 SOUTH RING GAS PLANT  
 P. & I.D. - EASTRING INLET SEPARATOR  
 © c-81-1/94-H-9

AFE NOS. 600401  
 SCALE NTS  
 DWG NO. MF-102  
 SH NO. 1

V-120  
KAHNTAH INLET SEPARATOR (NOT IN SERVICE)

SIZE: 1981mm O.D. x 7315mm S/S  
 BOOT: 406mm O.D. x 610mm LG  
 MAWP (SHELL SIDE): 3448 kPa @ -29/38°C  
 C.A.: 1.6mm  
 MFR.: ALCO  
 SERIAL NUMBER: 2000-6475-01B  
 CRW: P-3478.21  
 'A' NUMBER: 463489



\*NOTE:  
KAHNTAH INLET SEPARATOR  
PACKAGE IS INSTALLED  
BUT IS NOT IN SERVICE.

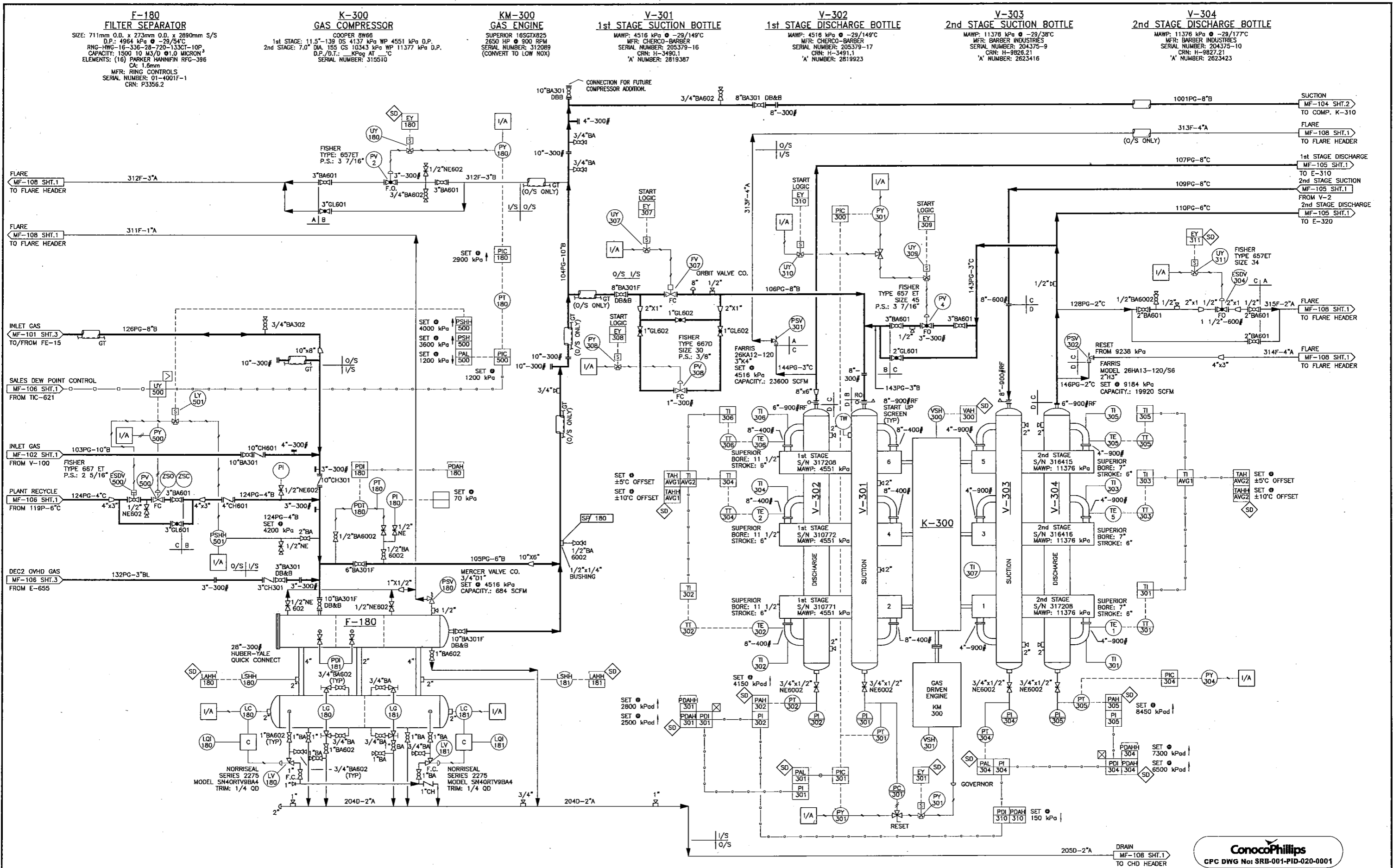
NOTES  
 -ALL TUBING TO BE 3/8" DIA. 304 SS c/w  
 CAD PLATED PARKER CPI TUBE FITTINGS  
 WITH SS FERRULES.  
 -SAND BLAST & INTERNALLY COAT V-1000  
 WITH 30 MILS DEVMAT 115 OR EQUAL.

⊙ DENOTES INSTRUMENT DRAINS TO BE TUBED TO DRAIN HDR.

ConocoPhillips  
 CPC DWG No: SRB-001-PID-012-0002

REFERENCE DRAWINGS	DRAWING No.	REV. NO.	REVISION	BY	DATE	BY	DATE	ConocoPhillips	AFE NOS.
		5	MECHANICAL AS-BUILT-CALTECH PROJ# CS11770	LAN	07.07.20	HE	01.01.13	Canada	600401
		4	GENERAL REVISION	MYT	02.01.24	HE	01.02.07		SCALE NTS
		3	AS BUILT	KWL	01.05.15	HE	01.01.13		DWG NO. MF-103
									SH NO. 1

SOUTH RING GAS PLANT  
 P & I.D. - KAHNTAH INLET SEPARATOR  
 © c-81-1/94-H-9



ConocoPhillips  
 CPC DWG No: SRB-001-PID-020-0001

REFERENCE DRAWINGS	DRAWING No.	REVISION	BY	DATE	DATE	DATE	DATE
		6 SPIKE PLANT ADDITION FIELD COMMENTS	RL	03.08.09	REV. NO.		
	9	MECHANICAL AS-BUILT-CALTECH PROJ# CS11770	LZWHG	07.07.20	5	REFRIG. TRAIN #2 & K-320 CANCELLED	07.07.20
	8	AS-BUILT FG SKID & SPIKE PLANT	STOY	03.07.25	4	K-320 ADDITION (REFRIG. EXP.)	02.01.11
	7	FG SKID ADDITION-LINE NUMBERS REV.	RL	03.06.10	3	ISSUED FOR 2001 ADDITION	01.05.11
					2	ISSUED FOR CONSTRUCTION	01.03.30
					1	PRE-CONSTR ISSUE (NOT IFC)	01.02.06
					0	PRELIMINARY ISSUE	01.01.10

ConocoPhillips  
 Canada  
 SOUTH RING GAS PLANT  
 P. & I.D. - COMPRESSOR K-300 AREA  
 © c-81-1/94-H-9

607601  
 NTS  
 MF-104  
 1

**K-310**  
**GAS COMPRESSOR**  
 MFR: WEATHERFORD  
 ENGINE: CAT, G3516LE-AFRC  
 1150 HP @ 1200 RPM  
 SUPERIOR RAM-54  
 SERIAL NUMBER: OOR1057

**V-1701**  
**1st STAGE SUCTION SCRUBBER**  
 SIZE: 406mm O.D. x 1524mm S/S  
 MAWP: 9067 kPa @ -29/149°C  
 MFR: WEATHERFORD/GLOBAL  
 SERIAL NUMBER: 007118-5  
 P/N: 813-4126  
 CRN: N8558.2134  
 'A' NUMBER: 457299

**V-1702**  
**2nd STAGE SUCTION SCRUBBER**  
 SIZE: 406mm O.D. x 1524mm S/S  
 MAWP: 9067 kPa @ -29/149°C  
 MFR: WEATHERFORD/GLOBAL  
 SERIAL NUMBER: 007119-5  
 P/N: 813-4132  
 CRN: N8558.2134  
 'A' NUMBER: 457297

**E-1701 & 1702**  
**COMPRESSOR COOLERS**  
 MAWP: 10343 kPa @ 177°C  
 MODEL: AMERCOOL 126VC18  
 SERIAL NUMBER: OOC145  
 E-1701 CRN: L7802.2  
 E-1702 CRN: L8023.2

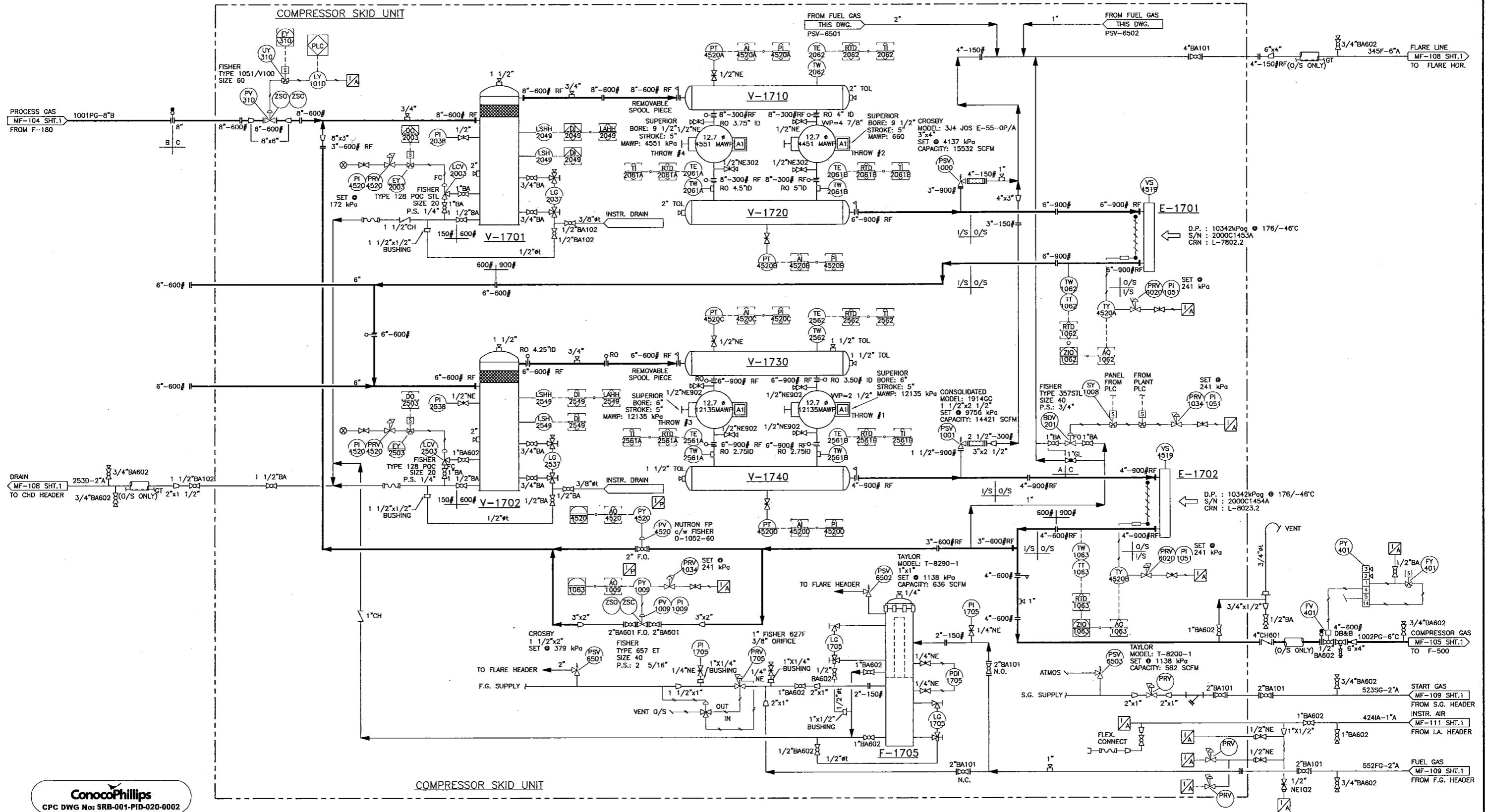
**F-1705**  
**FUEL GAS FILTER**  
 SIZE: 168mm O.D. x 2000mm F/F  
 MAWP: 1896 kPa @ 38/-29°C  
 MODEL: 85-1-FG-36-6-275-2F  
 S/N: 99-3799F-5  
 CRN: H4558.2134/0821.5  
 ELEMENT: PCH0336

**V-1710**  
**1st STAGE SUCTION BOTTLE**  
 SIZE: 610mm O.D. x 1549mm S/S  
 MAWP: 4516 kPa @ -29/149°C  
 MFR: WEATHERFORD/GLOBAL  
 SERIAL NUMBER: 007120-5  
 P/N: 813-4130  
 CRN: L8982.213  
 'A' NUMBER: 457315

**V-1720**  
**1st STAGE DISCHARGE BOTTLE**  
 SIZE: 506mm O.D. x 1579mm S/S  
 MAWP: 4447 kPa @ -29/177°C  
 MFR: WEATHERFORD/GLOBAL  
 SERIAL NUMBER: 007149-5  
 P/N: 813-4136  
 CRN: L8983.213  
 'A' NUMBER: 457347

**V-1730**  
**2nd STAGE SUCTION BOTTLE**  
 SIZE: 406mm O.D. x 1800mm S/S  
 MAWP: 9067 kPa @ -29/177°C  
 MFR: WEATHERFORD/GLOBAL  
 SERIAL NUMBER: 007148-5  
 P/N: 813-4138  
 CRN: L9120.213  
 'A' NUMBER: 457341

**V-1740**  
**2nd STAGE DISCHARGE BOTTLE**  
 SIZE: 356mm O.D. x 2235mm S/S  
 MAWP: 9067 kPa @ -29/177°C  
 MFR: WEATHERFORD/GLOBAL  
 SERIAL NUMBER: 007147-5  
 P/N: 813-4142  
 CRN: L8984.213  
 'A' NUMBER: 457336



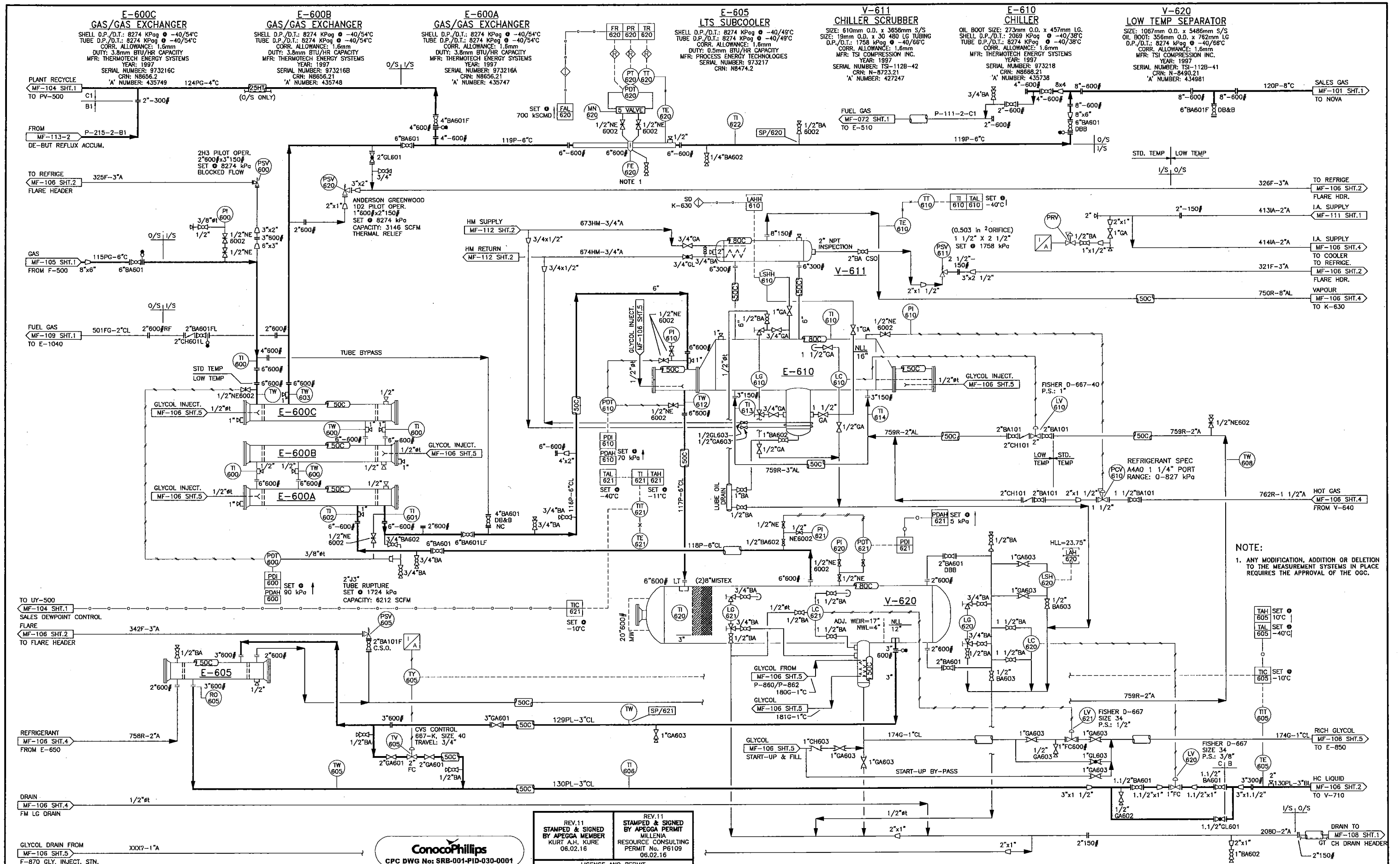
**ConocoPhillips**  
 CPC DWG No: SRB-001-PID-020-0002

REFERENCE DRAWINGS	DRAWING No.	REV. NO.	REVISION	BY	DATE	CHK'D.	DATE	BY	DATE	AFE NOS.	SCALE	DWG NO.	SH. NO.
			GENERAL REVISION	MT	02.01.24			KL	01.06.15	607601	NTS	MF-104	2
			ISSUED FOR CONSTRUCTION	KL	01.07.06								
			ISSUED FOR BID	KL	01.06.15								
			MECHANICAL AS-BUILT-CALTECH PROJ# CS11770	LZHWG	07.07.20								

**ConocoPhillips**  
 Canada  
 SOUTH RING GAS PLANT  
 P & ID - COMPRESSOR K-310  
 © c-81-1/94-H-9







REV.11 STAMPED & SIGNED BY APEGGA MEMBER KURT A.H. KURE 06.02.16  
 REV.11 STAMPED & SIGNED BY APEGGA PERMIT MILLENNIA RESOURCE CONSULTING PERMIT No. P6109 06.02.16

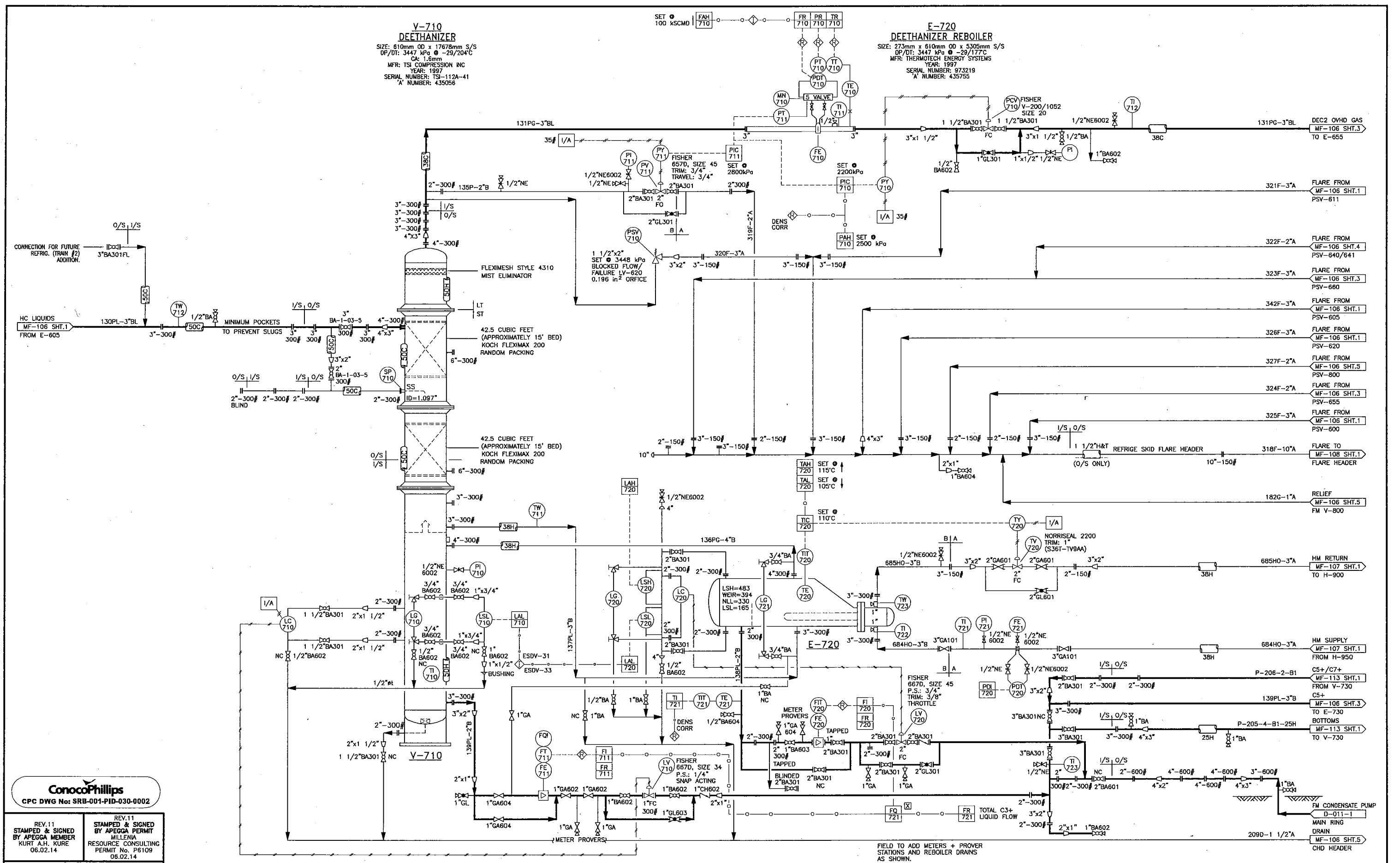
**ConocoPhillips**  
 CPC DWG No: SRB-001-PID-030-0001

REFERENCE DRAWINGS	DRAWING No.	DATE	DESCRIPTION	REV.	DATE	REVISION	BY	DATE	BY	DATE	SCALE	CONTRACT NO.
	10	03.07.23	AS BUILT FG SKID & SPIKE PLANT	6	03.03.04	2003 ADDITION	JL	03.03.04	REV.			607601
	9	03.06.10	FG SKID ADDITION - LINE NUMBERS REV.	5	02.06.27	REFRIG. TRAIN #2 & K-320 CANCELLED	WT	02.06.27	13	07.07.20	MECHANICAL AS-BUILT-CALTECH PROJ# CS11770	NTS
	8	03.06.09	FG SKID ADDITION - FIELD COMMENTS	4	02.01.24	REFRIG. EXPANSION TRAIN #2	WT	02.01.24	12	06.10.31	AS-BUILT	DWG NO. MF-106
	7	03.06.04	2003 FUEL GAS SKID ADDITION	3	01.05.11	ISSUED FOR 2001 ADDITION	XL	01.05.11	11	06.02.16	IFC (MRC JOB# 05553)	SH NO. 1

**ConocoPhillips**  
 SOUTH RING GAS PLANT  
 P. & I.D. - REFRIGERATION SKID  
 © c-81-1/94-H-9

**V-710 DEETHANIZER**  
 SIZE: 610mm OD x 17678mm S/S  
 DP/DT: 3447 kPa @ -29/204°C  
 CA: 1.6mm  
 MFR: TSI COMPRESSION INC  
 YEAR: 1997  
 SERIAL NUMBER: TS3-112A-41  
 'A' NUMBER: 435056

**E-720 DEETHANIZER REBOILER**  
 SIZE: 273mm x 610mm OD x 5305mm S/S  
 DP/DT: 3447 kPa @ -29/177°C  
 MFR: THERMOTEC ENERGY SYSTEMS  
 YEAR: 1997  
 SERIAL NUMBER: 973219  
 'A' NUMBER: 435755



**ConocoPhillips**  
 CPC DWG No: SRB-001-PID-030-0002

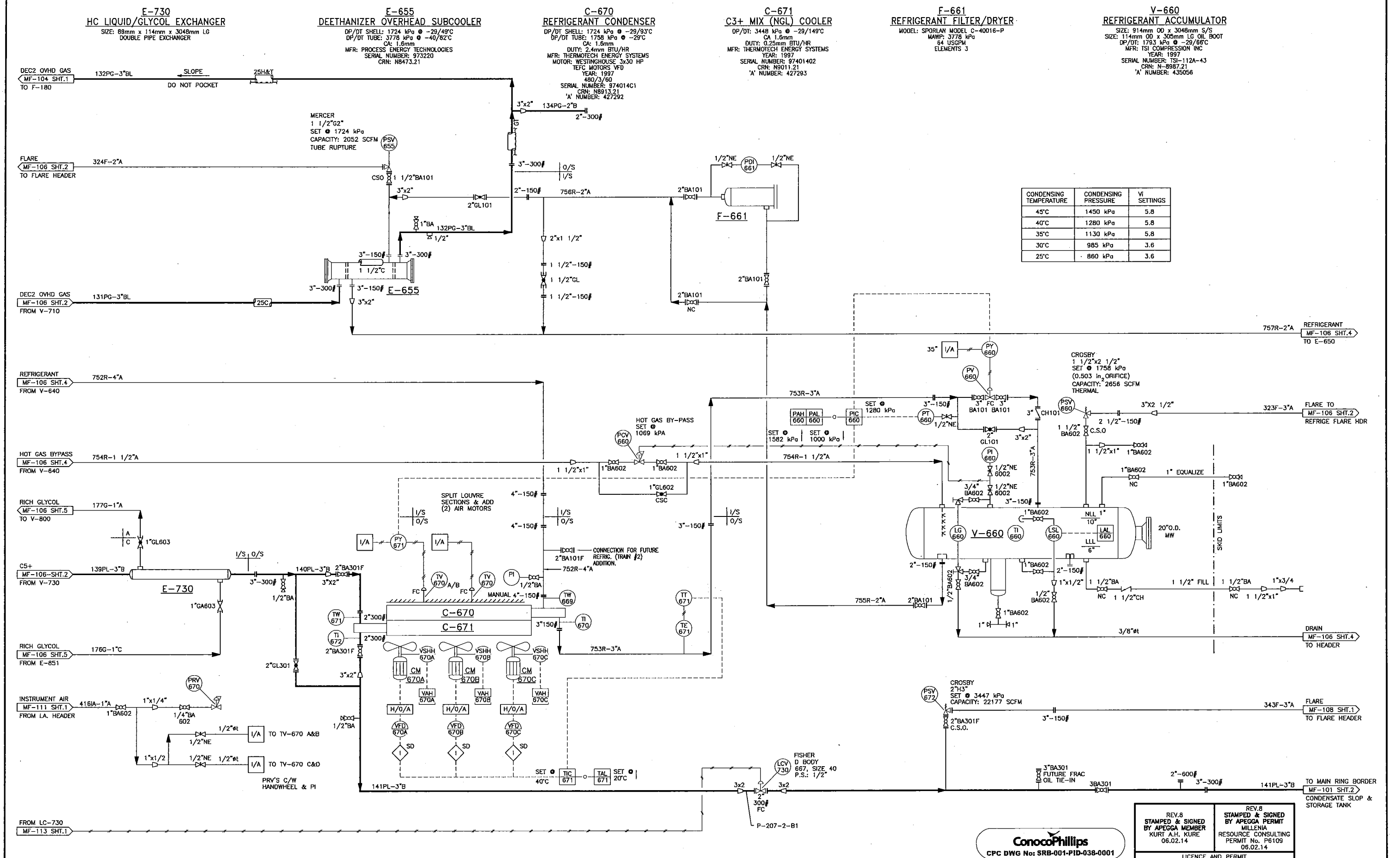
REV.11 STAMPED & SIGNED BY APEGGA MEMBER KURT A.H. KURE 06.02.14  
 REV.11 STAMPED & SIGNED BY APEGGA PERMIT MILLENNIA RESOURCE CONSULTING PERMIT No. P6109 06.02.14

FIELD TO ADD METERS + PROVER STATIONS AND REBOILER DRAINS AS SHOWN.

REFERENCE DRAWINGS	DRAWING No.	NO	DATE	REVISION	BY	DATE	SCALE	NO.
		1	07.07.20	MECHANICAL AS-BUILT-CALTECH PROJ# CS11770	TR	05.09.19	NTS	607601
		2	07.07.20	MOVED TIE IN 1060215 (MRC# 05553)	TR	05.08.30		
		3	06.10.31	AS-BUILT	MY	02.06.27		
		4	06.02.14	IFC FOR TIE-IN'S (MRC# 05553)	MY	02.01.24		
		5	06.02.14	REFRIG. TRAIN #2 & K-320 CANCELLED	MY	02.01.24		
		6	05.10.19	ISSUED FOR HAZOP (MRC# 05553)	MY	02.01.24		
				ISSUED FOR 2001 ADDITION	KL	01.05.11		
				ISSUED FOR CONSTRUCTION	KWL	01.03.30		
				REVISED PER MOC #13673	MR	07.07.31		

**ConocoPhillips**  
 Canada  
 SOUTH RING GAS PLANT  
 P. & I.D. - REFRIGERATION DE-ETHANIZER  
 © c-81-1/94-H-9

SCALE: NTS  
 DWG NO.: MF-106  
 SH NO.: 2



REV.8  
 STAMPED & SIGNED  
 BY APEGGA MEMBER  
 KURT A.H. KURE  
 06.02.14

REV.8  
 STAMPED & SIGNED  
 BY APEGGA PERMIT  
 MILLENIA  
 RESOURCE CONSULTING  
 PERMIT No. P6109  
 06.02.14

LICENCE AND PERMIT

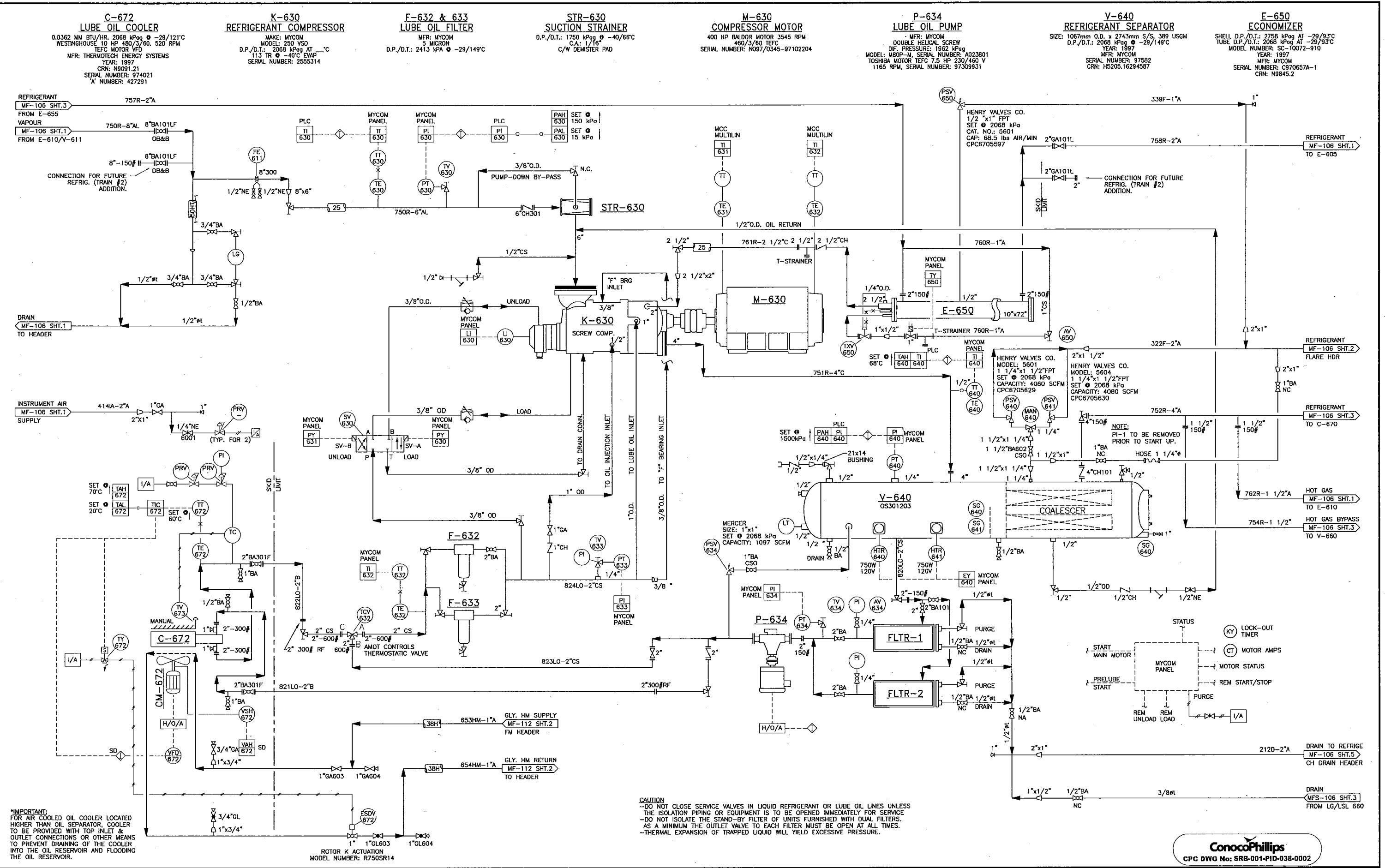
**ConocoPhillips**  
 CPC DWG No: SRB-001-PID-038-0001

REFERENCE DRAWINGS	DRAWING No.	NO	DATE	REV. NO.	REVISION	BY	DATE	DATE	DATE	DATE	DATE	DATE
		10	07.07.20	6	IFC FOR TIE-IN'S (MRC# 05553)	TR	05.08.10	REV. NO.				
		9	07.07.20	5	REFRIG. TRAIN #2 & K-320 CANCELLED	MYT	02.06.27	APP'D.	KML	01.03.30	DRAWN	HE
		8	06.10.31	4	REFRIG. EXPANSION TRAIN #2	MYT	02.01.24	APP'D.	JL	01.02.13	CHECKED	
		7	06.02.14	3	AS BUILT	KL	01.05.15	APP'D.	HE	01.01.17	APPROVED	
		6	05.10.17	2								
		5	05.10.17	1								

**ConocoPhillips**  
 Canada

SOUTH RING GAS PLANT  
 P. & I.D. - REFRIGERATION SKID  
 © c-81-1/94-H-9

AFE NOS. 600401  
 SCALE NTS  
 DWG NO. MF-106  
 SH NO. 3



**IMPORTANT:**  
FOR AIR COOLED OIL COOLER LOCATED HIGHER THAN OIL SEPARATOR, COOLER TO BE PROVIDED WITH TOP INLET & OUTLET CONNECTIONS OR OTHER MEANS TO PREVENT DRAINING OF THE COOLER INTO THE OIL RESERVOIR AND FLOODING THE OIL RESERVOIR.

**CAUTION**  
-DO NOT CLOSE SERVICE VALVES IN LIQUID REFRIGERANT OR LUBE OIL LINES UNLESS THE ISOLATION PIPING OR EQUIPMENT IS TO BE OPENED IMMEDIATELY FOR SERVICE  
-DO NOT ISOLATE THE STAND-BY FILTER OF UNITS FURNISHED WITH DUAL FILTERS. AS A MINIMUM THE OUTLET VALVE TO EACH FILTER MUST BE OPEN AT ALL TIMES.  
-THERMAL EXPANSION OF TRAPPED LIQUID WILL YIELD EXCESSIVE PRESSURE.

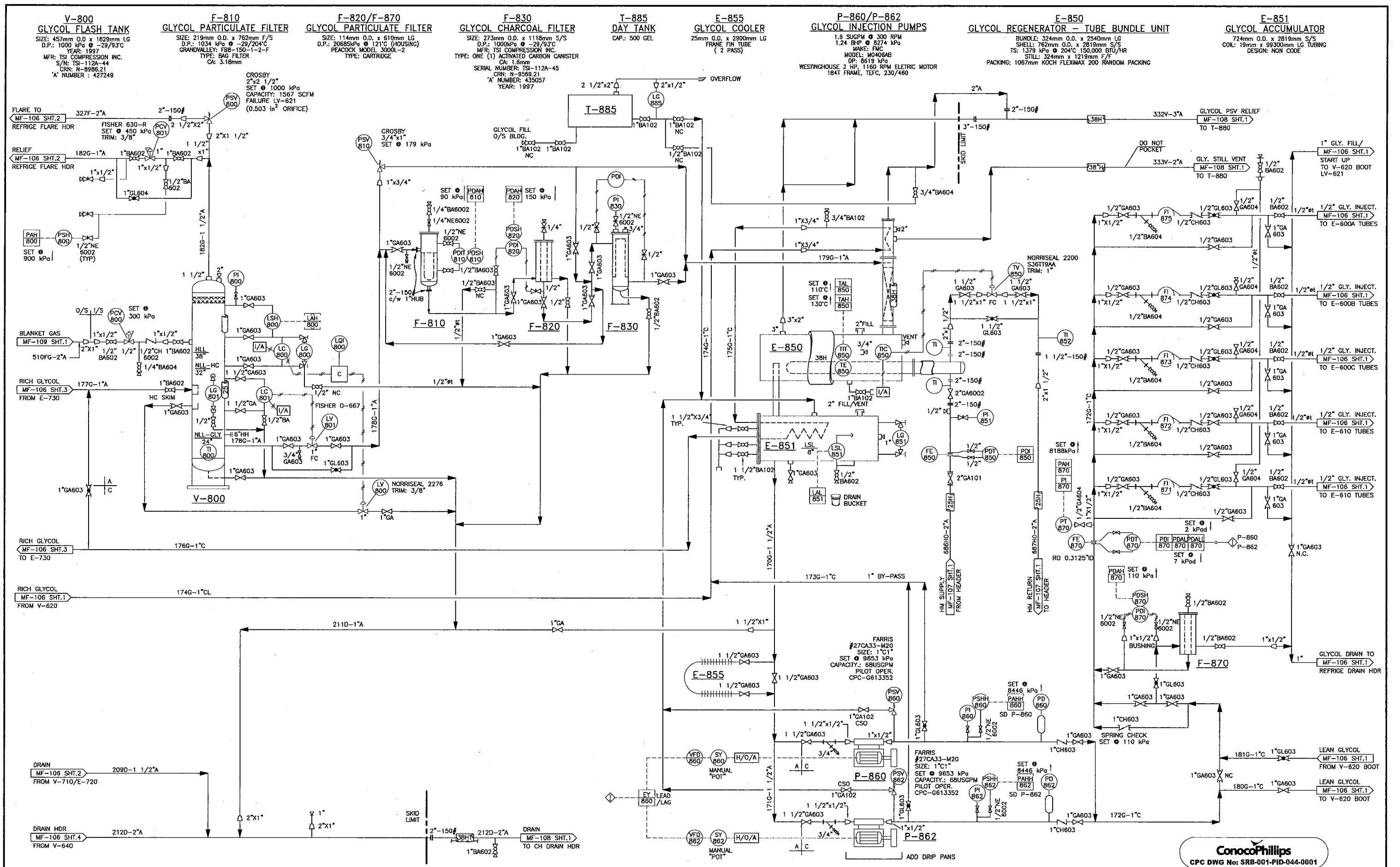


REFERENCE DRAWINGS	DRAWING No.	REV. NO.	REVISION	BY	DATE	DATE	DATE	DATE	DATE
		6	MECHANICAL AS-BUILT-CALTECH PROJ# CS11770	LAM	07.07.20	07.07.20	01.05.14	00.10.24	
		5	REFRIG. TRAIN #2 & K-320 CANCELLED	MYT	02.06.28	01.03.30			
		4	REFRIG. EXPANSION TRAIN #2	MYT	02.01.24	01.02.13			

**ConocoPhillips**  
Canada

**SOUTH RING GAS PLANT**  
P.& I.D.- REFRIGERATION SKID - COMPRESSOR UNIT  
© c-81-1/94-H-9

AFE NOS. 607601  
SCALE NTS  
DWG NO. MF-106  
SH NO. 4



**ConocoPhillips**  
CPC DWG No: SRB-001-PID-044-0001

REFERENCE DRAWINGS	DRAWING No.	REV. NO.	REVISION	BY	DATE	APP'D.	DATE	BY	DATE
		1	ISSUED FOR CONSTRUCTION	KML	01.03.20	DRAWN	HE	00.10.23	
		2	MECHANICAL AS-BUILT-CALTECH PROJ# CS11770	LZHWG	07.07.20	PRE-CONSTR. ISSUE (NOT IFC)	JL	01.02.09	CHECKED
		3	AS BUILT	KML	01.05.15	AS-BUILT	JL	00.10.23	APPROVED

**ConocoPhillips**  
Canada

SOUTH RING GAS PLANT  
P. & I.D. - REFRIGERATION SKID - GLYCOL  
REGENERATOR UNIT - © c-81-1/94-H-9

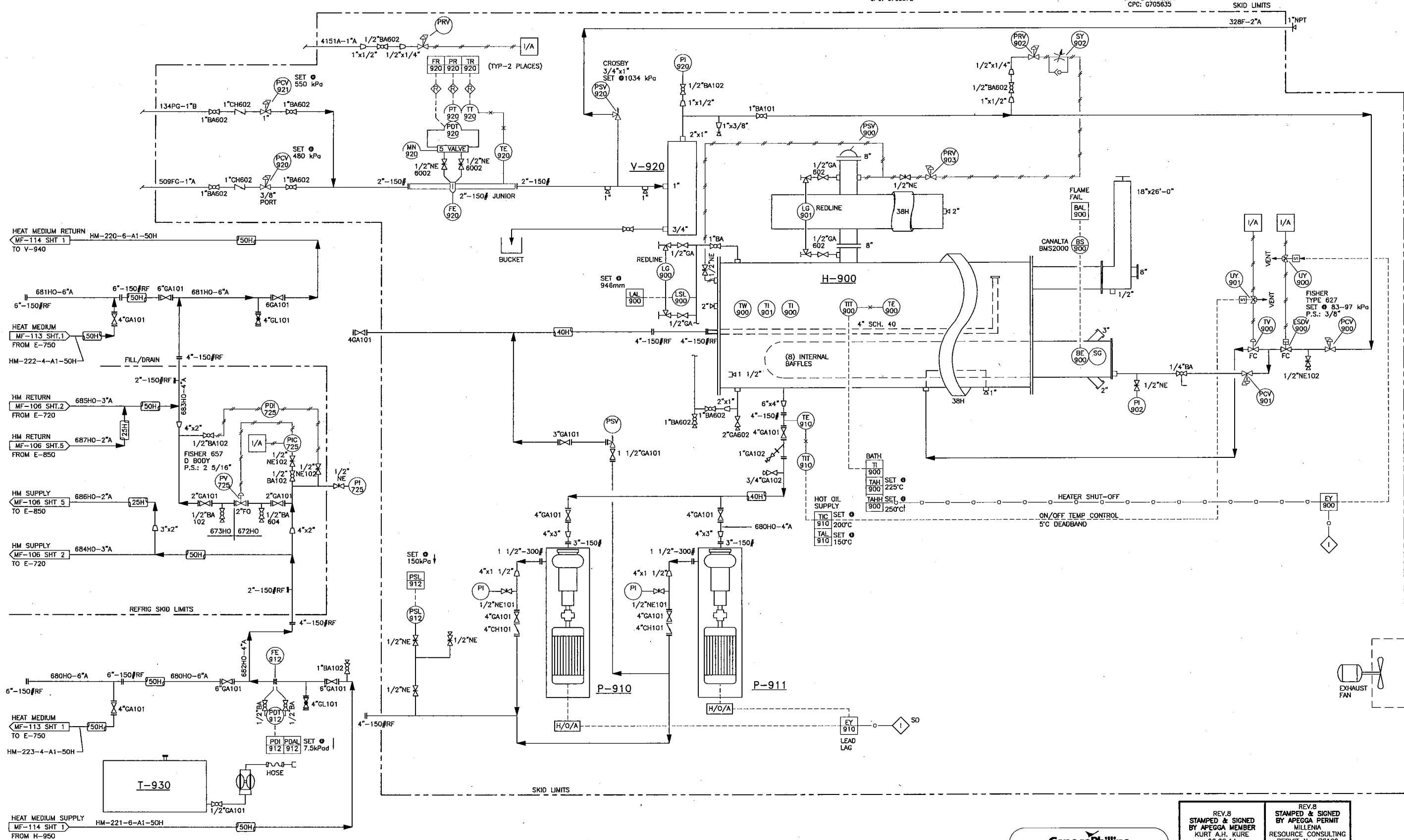
AFE NOS. 6004401  
SCALE NTS  
DWG NO. MF-106  
SR NO. 5

**T-930**  
HOT OIL DRAIN TANK  
STEEL  
CAP.: 2000L (500 GAL)

**P-910 & P-911**  
HOT OIL HEAT MEDIUM CIRCULATION PUMP  
CAP.: 175GPM @ 2413kPa  
DRIVE: WESTINGHOUSE 10 HP TEFC  
DEAN MODEL RA-3146 IMPELLER

**H-900**  
HOT OIL HEAT MEDIUM HEATER  
SIZE: 1372mm x 8230mm F/F  
NONCODE 1/4" SHELL x 5/8" SA36 HEADS  
878 KW (3.0 MMBTU/HR)  
FIRETUBE: 457mm O.D. x 7772mm U-TUBE  
EXPANSION TANK: 610mm O.D. x 5488mm F/F  
CPC: G705372

**V-920**  
BS&B FUEL GAS SCRUBBER  
SIZE: 219mm O.D. x 914mm LG  
DP.: 1034kPa @ -29/38°C  
YEAR: 1997  
MFR: BLACK, SWALLS & BRYSON LTD.  
S/N: 97323-001V3  
CRN: E-9402.213  
GPC: G705635



**ConocoPhillips**  
CPC DWG No: SRB-001-PID-075-0001

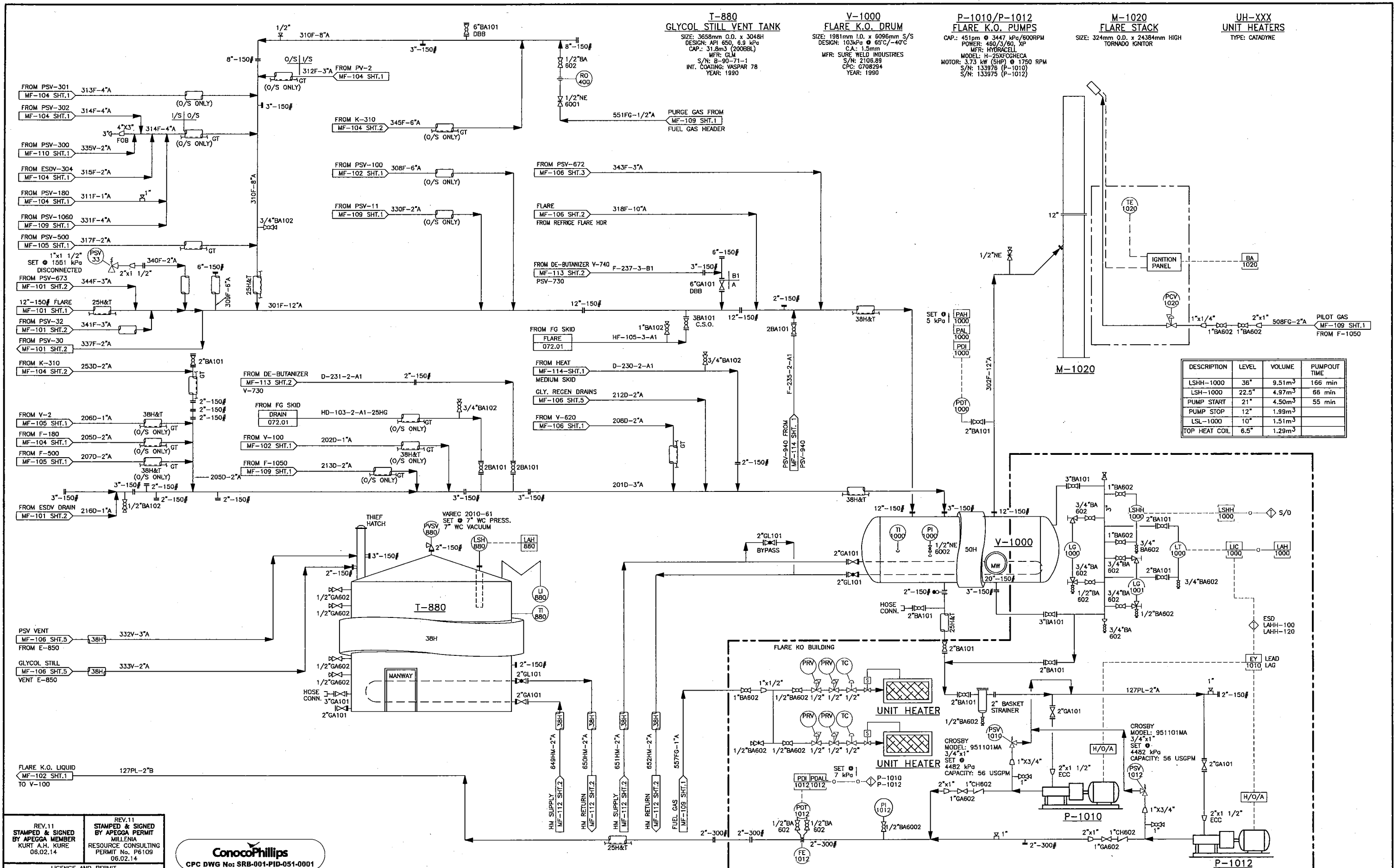
REV. 8 STAMPED & SIGNED BY APEGGA MEMBER KURT A.H. KURE 06.02.14	REV. 8 STAMPED & SIGNED BY APEGGA PERMIT MILLENA RESOURCE CONSULTING PERMIT No. PB109 06.02.14
LICENCE AND PERMIT	

REFERENCE DRAWINGS	DRAWING No.	DATE	DESCRIPTION	BY	DATE	REVISION	CHK'D.	DATE	BY	DATE
	10	07.07.20	MECHANICAL AS-BUILT-CALTECH PROJ# CS11770	LZHANG	07.07.20	TR	05.08.10	REV. NO.		
	9	06.10.31	AS-BUILT	DJ	06.10.31	TR	02.06.28	ISSUED FOR CONSTRUCTION	MYT	02.06.28
	8	06.02.14	IFC (MRC JOB# 05553)	KM	06.02.14	TR	02.01.24	PRE-CONSTR. ISSUE (NOT IFC)	JL	01.02.13
	7	05.10.19	ISSUED FOR HAZOP (MRC# 05553)	TR	05.10.19	TR	01.06.19	AS BUILT	JL	01.06.19

**ConocoPhillips**  
Canada

**SOUTH RING GAS PLANT**  
P. & I.D. - HOT OIL HEAT MEDIUM SKID  
© c-81-1/94-H-9

AFE NOS.	607601
SCALE	NIS
DWG NO.	MF-107
SH NO.	1



REV.11  
 STAMPED & SIGNED  
 BY APEGGA MEMBER  
 KURT A.H. KURE  
 06.02.14

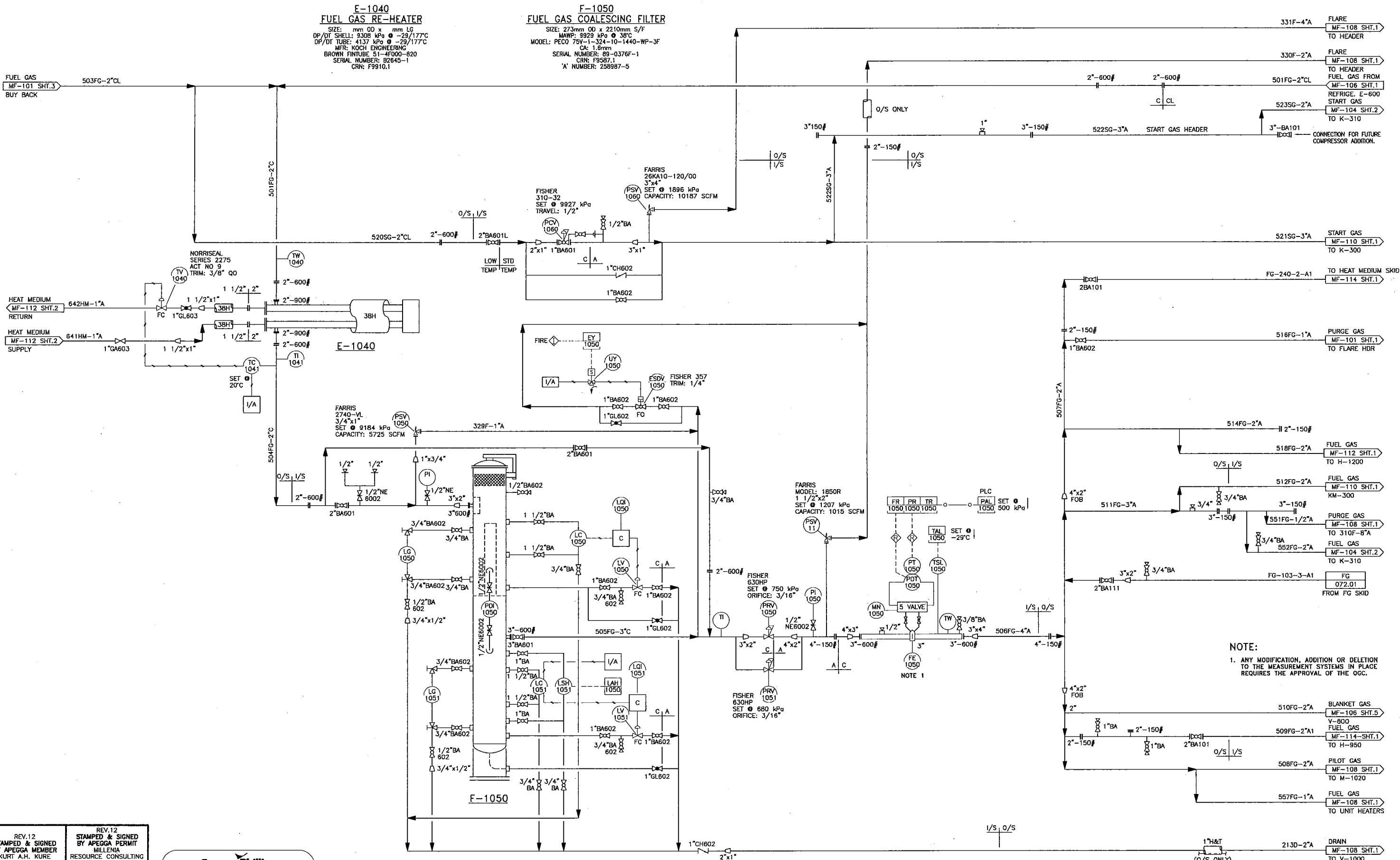
REV.11  
 STAMPED & SIGNED  
 BY APEGGA PERMIT  
 MILLERIA  
 RESOURCE CONSULTING  
 PERMIT No. P6109  
 06.02.14

**ConocoPhillips**  
 CPC DWG No: SRB-001-PID-051-0001

REFERENCE DRAWINGS	DRAWING No.	DATE	DESCRIPTION	APP'D.	DATE	BY	DATE	BY	DATE
	10	05.08.10	IFC FOR TIE-IN'S (MRC# 05553)	PJL	03.06.04				
	9B		ISSUED FOR APPR.(MRC# 05553)	JL	03.02.27				
	9	03.07.25	AS-BUILT FG SKID & SPIKE PLANT	SJOY	02.06.28				
	8	03.06.10	FG SKID ADDITION-LINE NUMBERS REV.	PL	02.01.24				
			2003 FUEL GAS SKID ADDITION						
			2003 ADDITION						
			REFRIG. TRAIN #2 & K-320 CANCELLED						
			REFRIG. TRAIN #2 & K-320 EXP.						
			MECHANICAL AS-BUILT-CALTECH PROJ# CS11770						
			AS-BUILT						
			IFC (MRC JOB# 05553)						

**ConocoPhillips**  
 SOUTH RING GAS PLANT  
 P. & I.D. - FLARE & DRAIN SYSTEM  
 © c-81-1/94-H-9

607601  
 NTS  
 MF-108  
 1



REV.12 STAMPED & SIGNED BY APEGGA MEMBER KURT A.H. KURE 06.02.14

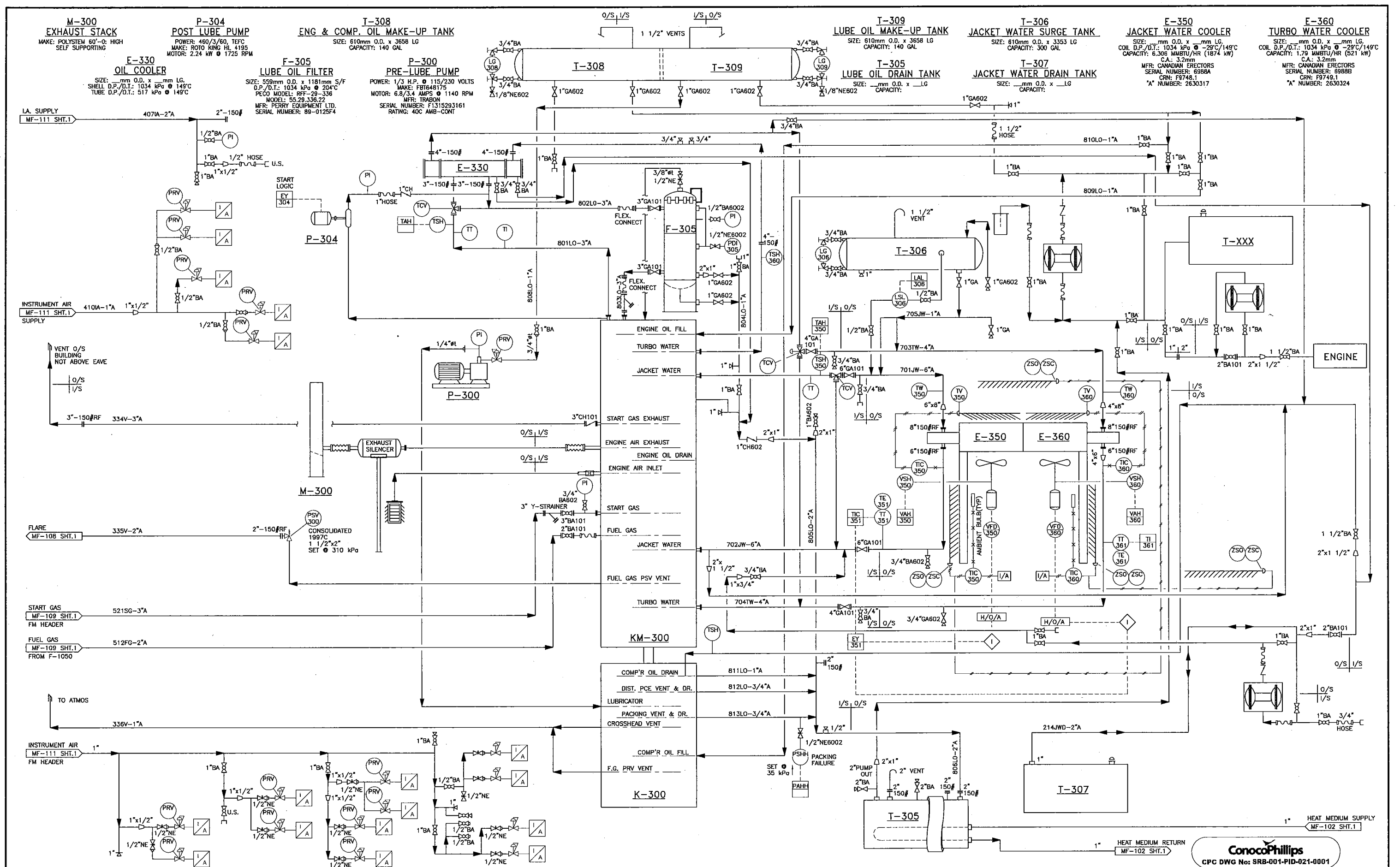
REV.12 STAMPED & SIGNED BY APEGGA PERMIT MILLERIA RESOURCE CONSULTING PERMIT No. P6109 06.02.14



REFERENCE DRAWINGS	DRAWING No.	DESCRIPTION	REV.	DATE	BY	DATE	APP'D.	DATE	BY	DATE	SCALE	AFE NOS.
	10	AS BUILT FG SKID & SPIKE PLANT	10	03.07.25	JL	03.02.27	REV. NO.				607601	
	9	FG SKID ADDITION-LINE NUMBERS REV.	9	03.06.10	MY	02.06.28	13	AS-BUILT	DJ	05.10.31	NTS	
	8	FG SKID ADDITION - FIELD COMMENTS	8	03.06.09	MY	02.01.24	12	IFC (MRC JOB# 05553)	KM	06.02.14	DWG NO. MF-109	
	7	2003 FUEL GAS SKID ADDITION	7	03.06.04	KD	07.07.20	11	IFC FOR TIE-IN'S (MRC#05553)	T.R.	05.08.10	SH NO. 1	

**ConocoPhillips**  
 SOUTH RING GAS PLANT  
 P. & I.D. - FUEL GAS SYSTEM  
 © c-81-1/94-H-9





**ConocoPhillips**  
CPC DWG No: SRB-001-PID-021-0001

REFERENCE DRAWINGS	DRAWING No.	REV. NO.	REVISION	BY	DATE	BY	DATE	ConocoPhillips	AFE NOS.
		3	AS BUILT	KML	01.05.15	HE	00.10.25	Canada	600401
		2	ISSUED FOR CONSTRUCTION	KML	01.03.30				NTS
		1	PRE-CONSTR. ISSUE (NOT IFC)	JL	01.02.10				DWG NO. MF-110
				ZH	07.07.20				SH NO. 1
				XD	07.07.20				REV. NO. 4

MECHANICAL AS-BUILT-CALTECH PROJ# CS11770

**ConocoPhillips**  
SOUTH RING GAS PLANT  
P. & I.D. - COMP. K-300 UTILITIES  
© c-81-1/94-H-9

**K-1100A/K-1110B**  
**INSTRUMENT AIR COMPRESSORS**  
 CAP: 170m<sup>3</sup>/h @ 758 kPa  
 TYPE ROTARY VANE  
 MFR K-1100A: ING ENEA MATTEI SPA  
 MFR K-1110B: ING ENEA MATTEI SPA

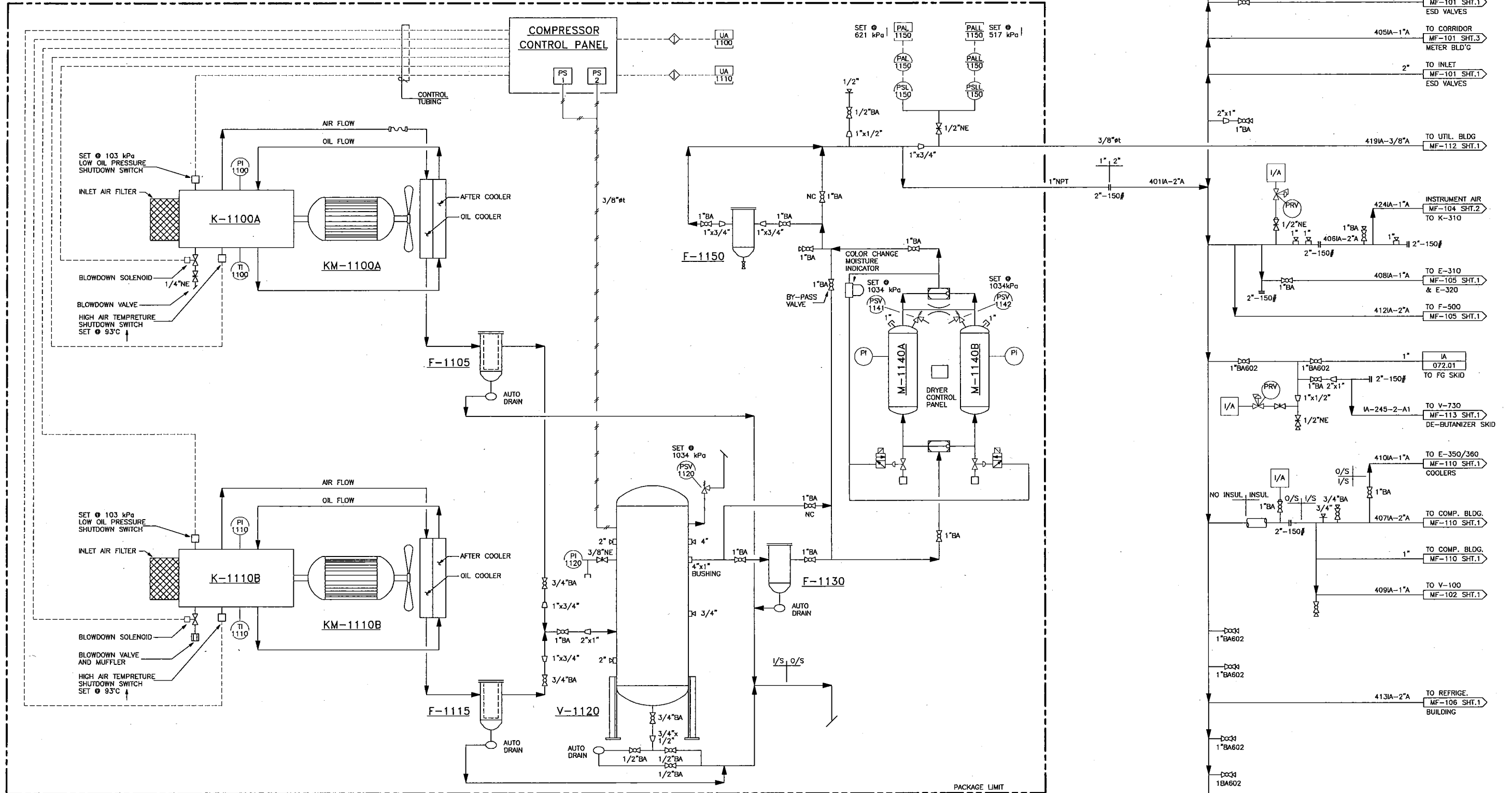
**KM-1100A/KM-1110B**  
**INSTRUMENT AIR COMPRESSOR MOTORS**  
 MAKE: WEG 284T-1189 SF 1.15  
 MOTOR: 18.6 kW (25HP) @ 1760 RPM  
 POWER: 480/3/60 1FC

**F-1105/F-1115**  
**WET AIR FILTER**  
 MONNIER  
 100 MICRON

**V-1120**  
**WET AIR RECEIVER**  
 SIZE: 762mm OD x 2134mm S/S  
 DP/DI: 1379 kPa @ -29/343°C  
 MFR: STEEL FABRICATING & WELDING CO  
 SERIAL NUMBER: 5828882  
 CRN: C6061234567890TY

**F-1130/F-1150**  
**PRE-AFTER FILTER**  
 DP/DI: 5171 kPa @ 121°C  
 MODEL: T910072-000  
 TYPE: LMD10S-3/4HP  
 MFR: USF

**M-1140A/B**  
**AIR DRYER**  
 DP/DI: 1034 kPa @ -29/260°C  
 CAP: 183m<sup>3</sup>/h @ 758 kPa @ -40°C DEWPOINT  
 TYPE: HEATLESS  
 XEBEC 12HDS08



REV.8  
 STAMPED & SIGNED  
 BY APEGGA MEMBER  
 KURT A.H. KURE  
 06.02.14

REV.8  
 STAMPED & SIGNED  
 BY APEGGA PERMIT  
 MILLENA  
 RESOURCE CONSULTING  
 PERMIT No. P6109  
 06.02.14

REFERENCE DRAWINGS	DRAWING No.	NO	DATE	REV. NO.	REVISION	BY	DATE	DATE	DATE	DATE	DATE
	10	MECHANICAL AS-BUILT-CALTECH PROJ# CS11770	07.07.20	6	AS-BUILT FC-SKID & SPIKE PLANT	P.L.	03.07.25				
	9	AS-BUILT	07.07.20	5	REFRIG. TRAIN #2 & K-320 CANCELLED	MYT	02.06.28				
	8	IFC (MRC JOB# 05553)	06.10.31	4	REFRIG. EXPANSION TRAIN #2	MYT	02.01.24				
	7	IFC FOR TIE-IN'S (MRC#05553)	05.08.10	3	ISSUED FOR 2001 ADDITION	J.L.	01.06.14				

BY	DATE	DATE	DATE	DATE	DATE
CHK'D.	APP'D.				
J.L.	J.L.				
J.L.	J.L.				
J.L.	J.L.				
J.L.	J.L.				

<b>ConocoPhillips</b> Canada CPC DWG No: SRB-001-PID-071-0001		AFE NOS. 607601 SCALE NTS DWG NO. MF-111 SH NO. 1
SOUTH RING GAS PLANT P. & I.D. - INSTRUMENT AIR SYSTEM © c-81-1/94-H-9		

**BM-1200**  
AIR BLOWER GLYCOL HM HEATER  
MOTOR: 2.24 kW (3 HP) @ 3450 RPM  
POWER: 480/3/60, 0DP

**H-1200**  
GLYCOL HEAT MEDIUM HEATER  
DP/DT: 689 kPa @ 1210  
DUTY: 3 770 000 BTU/HR  
MIN FLOW: 424 ipm  
SASKATOON BOILER MOD OTS-G90W

**P-1210/1212**  
GLYCOL HEAT MEDIUM PUMPS  
DP/DT: 1896 kPa 110°  
CAP: 454 ipm (120 GPM) @ 388 kPa  
MOTOR: 7.46 kW (10 HP) @ 3500 RPM  
POWER: 480/3/60 TEFC  
UNION: 2x3x7 VCM  
P-1210 SERIAL NUMBER: CA4741A101  
P-1212 SERIAL NUMBER: CA4741A102

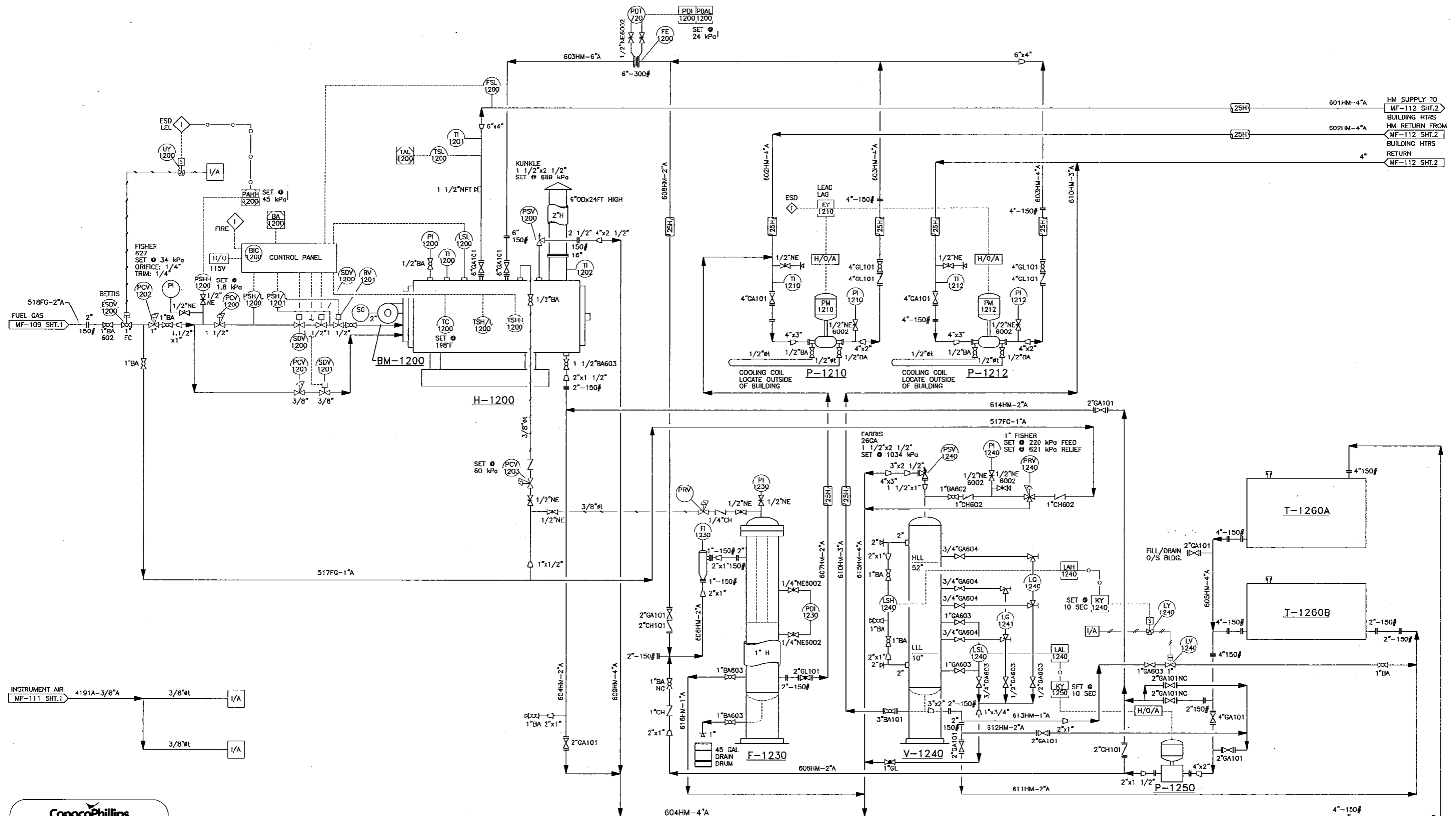
**F-1230**  
GLYCOL HEAT MEDIUM FILTER  
SIZE: 219mm OD x 1073mm E/F  
DP/DT: 1586 kPa @ -29/148°C  
MODEL: PECO 55-4-336-8-230-2F  
MFR: PERRY EQUIPMENT  
ELEMENT  
SERIAL NUMBER: 89-0377F1  
CRN: F7109.21

**V-1240**  
GLYCOL HEAT MEDIUM SURGE TANK  
SIZE: 508mm OD x 1829mm S/S  
DP/DT: 1034 kPa @ -29/148°C  
CA: 1.5mm  
MFR: SUREWELD INDUSTRIES  
YEAR: 1990  
SERIAL NUMBER: 2105.89  
CRN: F989  
'A' NUMBER: 2588692

**P-1250**  
GLYCOL HM TRANSFER PUMP  
CAP: 76 ipm @ 527 kPa  
MOTOR: 3.73 kW (5 HP) @ 3480 RPM  
POWER: 480/3/60 TEFC  
UNION: 1 1/2 x 2 x 7 VCM  
IMPELLER: 7"

**T-1260A**  
GLYCOL HM STORAGE TANK  
NOM CAP: 500 GAL  
STEEL

**T-1260B**  
GLYCOL HM STORAGE TANK  
NOM CAP: 1000 GAL  
STEEL

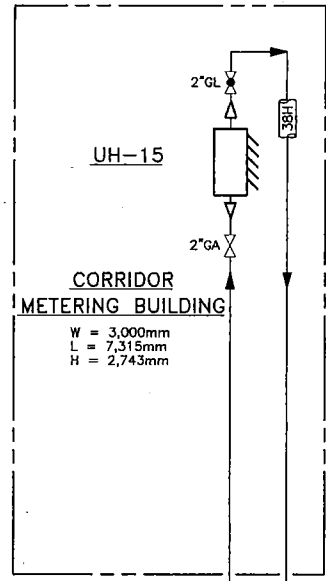


**ConocoPhillips**  
CPC DWG No: SRB-001-PID-075-0002

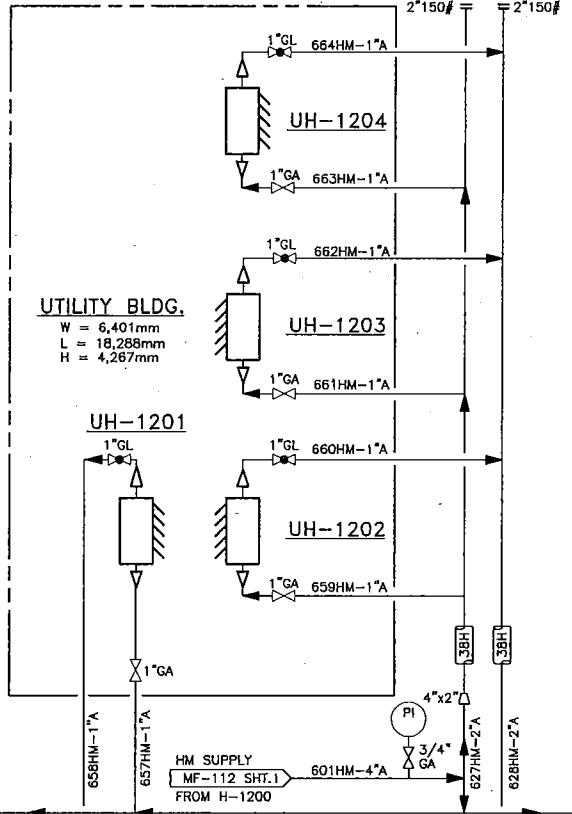
REFERENCE DRAWINGS	DRAWING No.	REV. NO.	REVISION	BY	DATE	APP'D.	DATE	BY	DATE	AFE NOS.	SCALE	DWG NO.	SH NO.
			ISSUED FOR CONSTRUCTION	KML	01.03.30			J.L.	01.01.18	600401	NTS	MF-112	1
			MECHANICAL AS-BUILT-CALTECH PROJ# CS11770	KO	07.07.20			J.L.	01.02.07				
			AS BUILT	KML	01.05.15			J.L.	01.01.18				

**ConocoPhillips**  
Canada  
SOUTH RING GAS PLANT  
GLYCOL HEAT MEDIUM SYSTEM  
© c-81-1/94-H-9

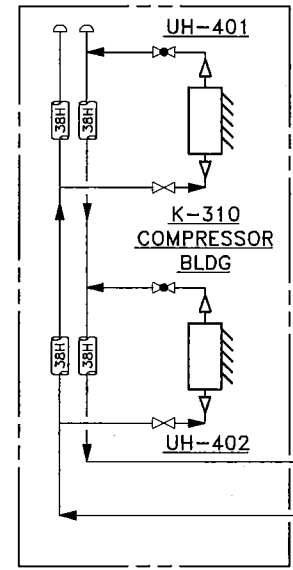
**UH-15  
UNIT HEATERS**  
MODEL: RUFFNECK HP3-16  
CAP.: 10.0 kW (34,000 BTU/H)  
MOTOR: 0.37kW @ 1725 RPM



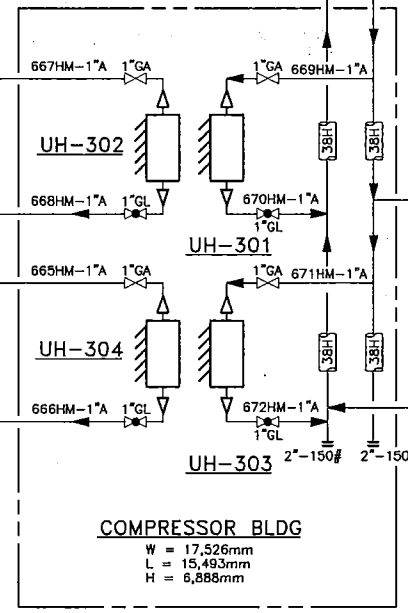
**UH-1201 THRU 1204  
UNIT HEATERS**  
MODEL: RUFFNECK HP5-16  
CAP.: 14.9 kW (50,400 BTU/H)  
MOTOR: 0.37 kW @ 1725 RPM



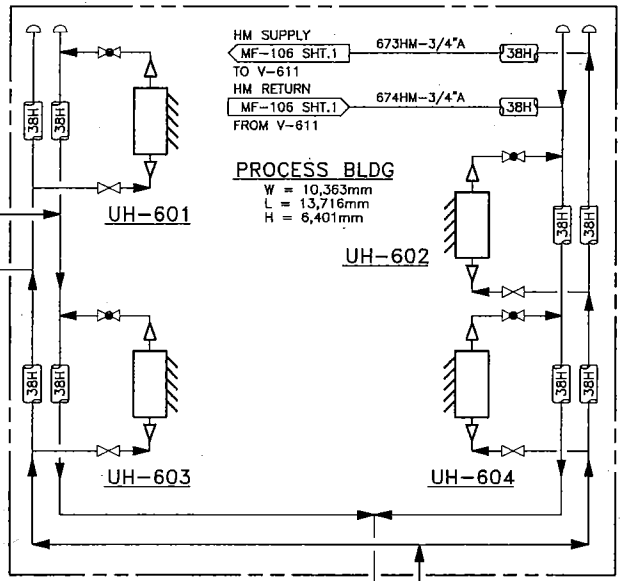
**UH-401 & 402  
UNIT HEATERS**  
MODEL: RUFFNECK HP3-20  
CAP.: 23.1 kW (78,900 BTU/H)  
MOTOR: 0.37 kW @ 1725 RPM



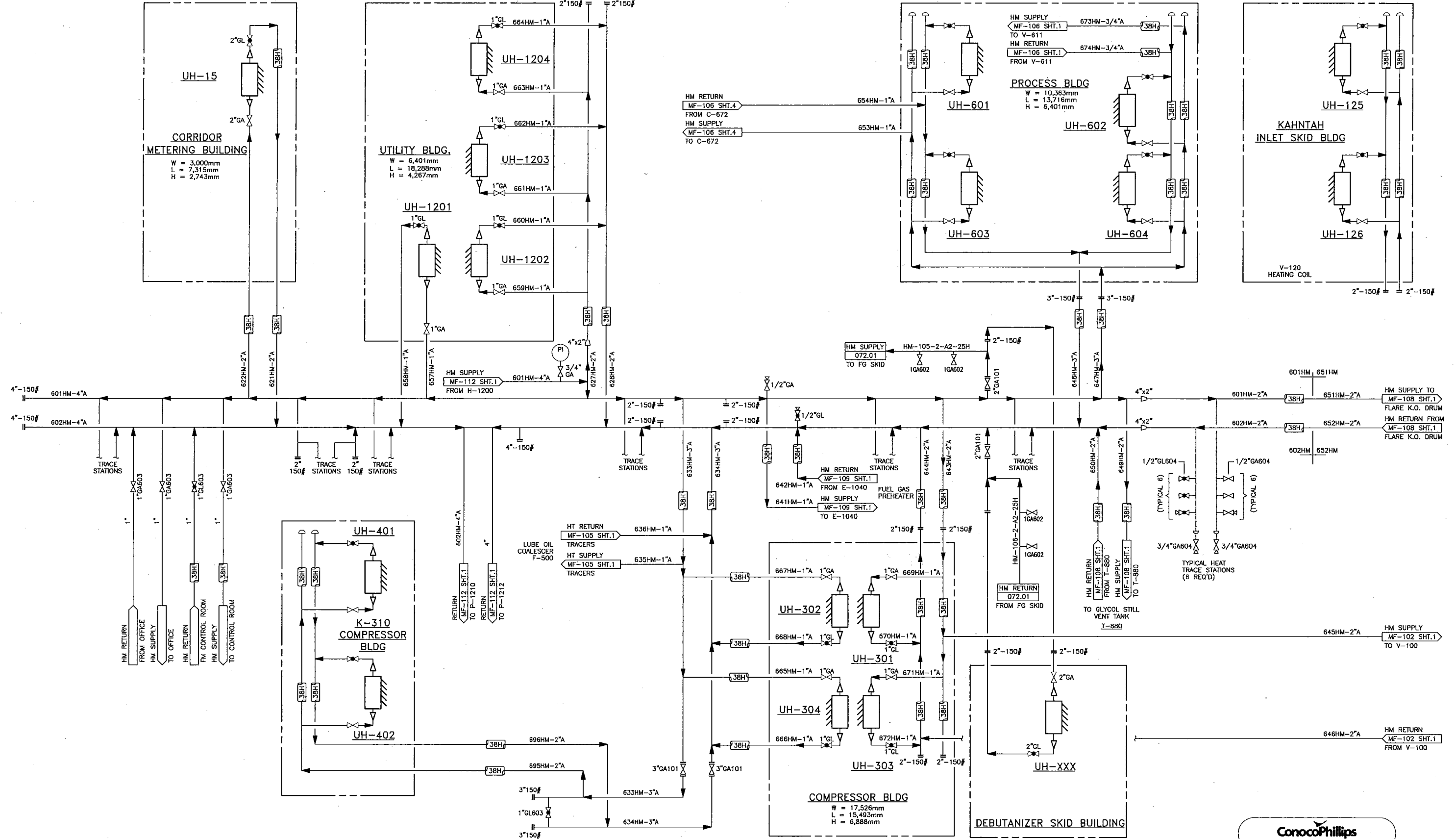
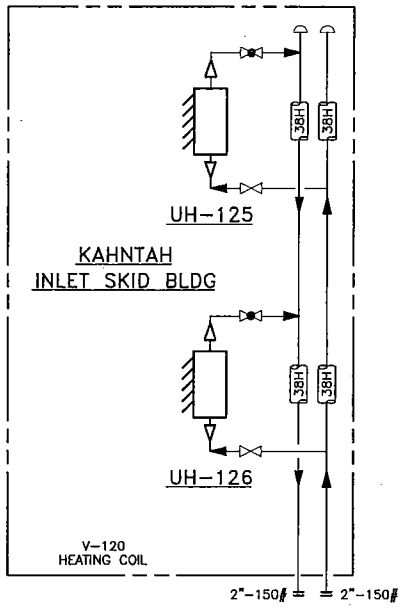
**UH-301 THRU 304  
UNIT HEATERS**  
MODEL: RUFFNECK HP3-20  
CAP.: 23.1 kW (78,900 BTU/H)  
MOTOR: 0.37 kW @ 1725 RPM



**UH-601 THRU 604  
UNIT HEATERS**  
MODEL: RUFFNECK HP3-20  
CAP.: 23.1 kW (78,900 BTU/H)  
MOTOR: 0.37 kW @ 1725 RPM



**UH-125 & 126  
UNIT HEATERS**  
MODEL: RUFFNECK HP3-20  
CAP.: 23.1 kW (78,900 BTU/H)  
MOTOR: 0.37 kW @ 1725 RPM



**ConocoPhillips**  
CPC DWG No: SRB-001-PID-075-0003

REFERENCE DRAWINGS	DRAWING No.	REV.	DATE	REV. NO.	REVISION	BY	DATE	DATE	DATE	DATE
		6	03.06.04	01	2003 FUEL GAS SKID ADDITION	JL	01.01.18			
		5	02.06.28	02	REFRIG. TRAIN #2 & K-320 CANCELLED	MY	01.03.30			
		4	02.01.24	03	ISSUED FOR CONSTRUCTION	JL	01.02.07			
		3	01.06.14	04	PRE-CONSTR. ISSUE (NOT IFC)	JL	01.01.18			
		2	03.07.26	05	ISSUED FOR INFORMATION	JL	01.01.18			
		1	03.06.10	06		JL	01.01.18			

MECHANICAL AS-BUILT-CALTECH PROJ# CS11770	LAM	07.07.20	07.07.20	07.07.20	07.07.20	07.07.20	07.07.20	07.07.20	07.07.20	07.07.20
AS-BUILT FG SKID & SPIKE PLANT	SLOV	03.07.26	03.07.26	03.07.26	03.07.26	03.07.26	03.07.26	03.07.26	03.07.26	03.07.26
FG SKID ADDITION-LINE NUMBERS REV.	RL	03.06.10	03.06.10	03.06.10	03.06.10	03.06.10	03.06.10	03.06.10	03.06.10	03.06.10

REFERENCE DRAWINGS	DRAWING No.	REV.	DATE	REV. NO.	REVISION	BY	DATE	DATE	DATE	DATE
		6	03.06.04	01	2003 FUEL GAS SKID ADDITION	JL	01.01.18			
		5	02.06.28	02	REFRIG. TRAIN #2 & K-320 CANCELLED	MY	01.03.30			
		4	02.01.24	03	ISSUED FOR CONSTRUCTION	JL	01.02.07			
		3	01.06.14	04	PRE-CONSTR. ISSUE (NOT IFC)	JL	01.01.18			
		2	03.07.26	05	ISSUED FOR INFORMATION	JL	01.01.18			
		1	03.06.10	06		JL	01.01.18			

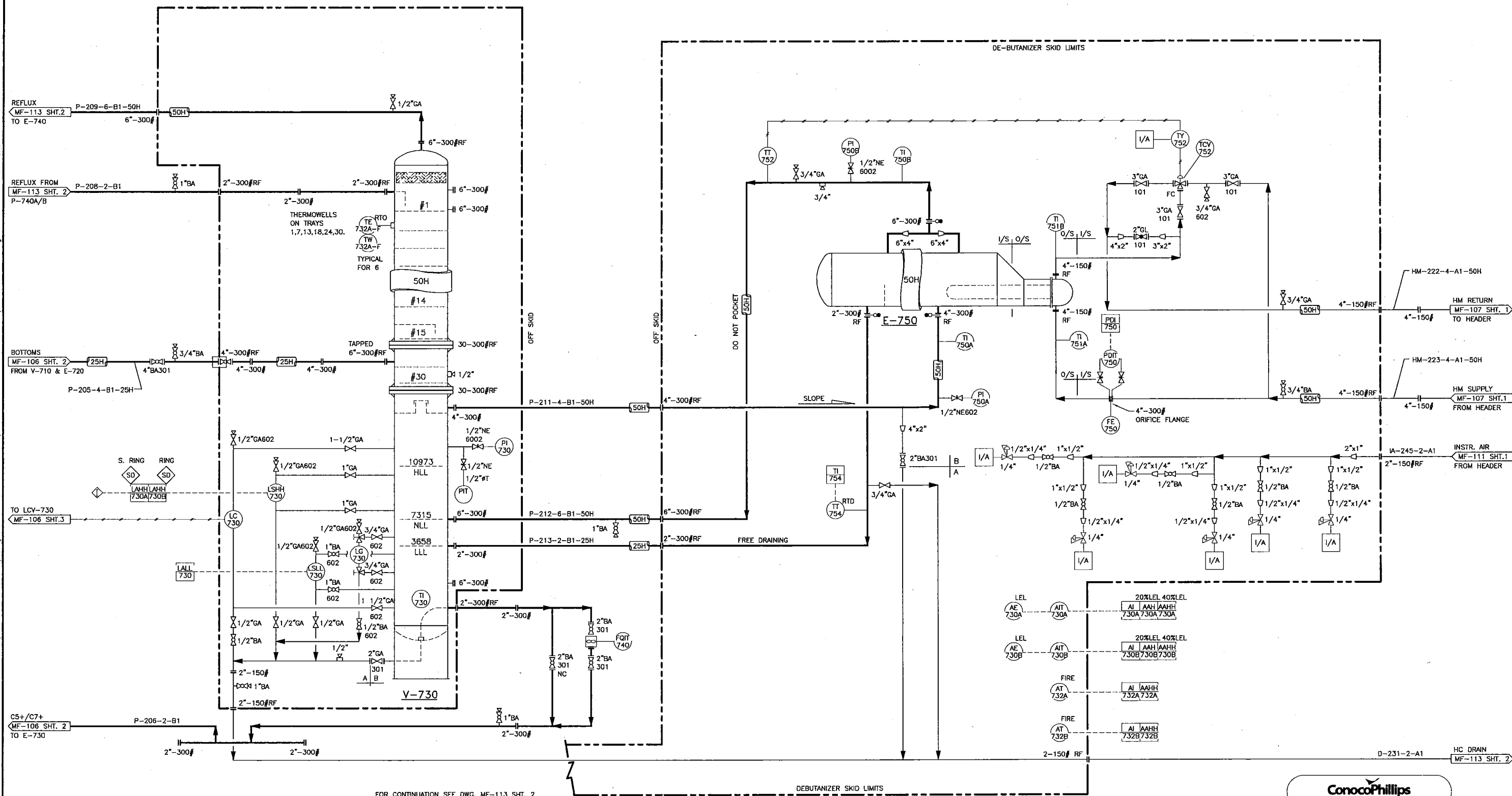
REFERENCE DRAWINGS	DRAWING No.	REV.	DATE	REV. NO.	REVISION	BY	DATE	DATE	DATE	DATE
		6	03.06.04	01	2003 FUEL GAS SKID ADDITION	JL	01.01.18			
		5	02.06.28	02	REFRIG. TRAIN #2 & K-320 CANCELLED	MY	01.03.30			
		4	02.01.24	03	ISSUED FOR CONSTRUCTION	JL	01.02.07			
		3	01.06.14	04	PRE-CONSTR. ISSUE (NOT IFC)	JL	01.01.18			
		2	03.07.26	05	ISSUED FOR INFORMATION	JL	01.01.18			
		1	03.06.10	06		JL	01.01.18			

**ConocoPhillips**  
SOUTH RING GAS PLANT  
P. & I.D. - HEATING MEDIUM SYSTEM  
© c-81-1/94-H-9

AFE NOS. 607601  
SCALE NTS  
DWG NO. MF-112  
SH NO. 2

**V-730**  
**DE-BUTANIZER**  
 SIZE: 762mm OD x 21946mm S/S  
 DP/DT: 3484 kPa @ 316°C  
 CA: 1.6mm  
 MFR: ALCO  
 YEAR: 2006  
 30 BALLAST VALVE TRAYS  
 SERIAL NUMBER: 2005-7495-01  
 CRN: T-5428.21  
 'A' NUMBER: 548760

**E-750**  
**DE-BUTANIZER REBOILER**  
 DP/DT SHELL: 3484 kPa @ 316°C  
 DP/DT TUBE: 965 kPa @ 316°C  
 CA: 1.6mm  
 MFR: ALCO  
 YEAR: 2006  
 SERIAL NUMBER: 2005-7495-02  
 CRN: T-4860.21  
 'A' NUMBER: 341763



FOR CONTINUATION SEE DWG. MF-113 SHT. 2

**ConocoPhillips**  
 CPC DWG No: SRB-001-PID-030-0003

REV	DATE	REVISION DESCRIPTION	BY	CHK.
4	06.04.24	REVISED AS NOTED (MRC JOB# 05553)	KM	
3	06.02.14	IFC (MRC JOB# 05553)	KM	
2	05.10.17	ISSUED FOR HAZOP (MRC JOB# 05553)	TR	
6	07.07.20	MECHANICAL AS-BUILT-CALTECH PROJ# CS11770	KO	KD
5	06.10.31	AS-BUILT	DJ	

REV	DATE	REVISION DESCRIPTION	BY	CHK.
4	06.04.24	REVISED AS NOTED (MRC JOB# 05553)	KM	
3	06.02.14	IFC (MRC JOB# 05553)	KM	
2	05.10.17	ISSUED FOR HAZOP (MRC JOB# 05553)	TR	
6	07.07.20	MECHANICAL AS-BUILT-CALTECH PROJ# CS11770	KO	KD
5	06.10.31	AS-BUILT	DJ	

ENGINEER	-
APPROVAL	-
CHECKER	-
DRAWN	TR
DATE	05.07.13
SCALE:	NTS

REV.3  
 STAMPED & SIGNED  
 BY APEGGA MEMBER  
 KURT A.H. KURE  
 2006.04.21

REV.3  
 STAMPED & SIGNED  
 BY APEGGA PERMIT  
 RESOURCE CONSULTING  
 PERMIT No. P6109  
 2006.04.21

LICENCE AND PERMIT

RING BORDER  
 SOUTH RING BORDER GAS PLANT  
 DE-BUTANIZER SKID  
 MECHANICAL FLOW DIAGRAM  
 c-81-1/94-H-9

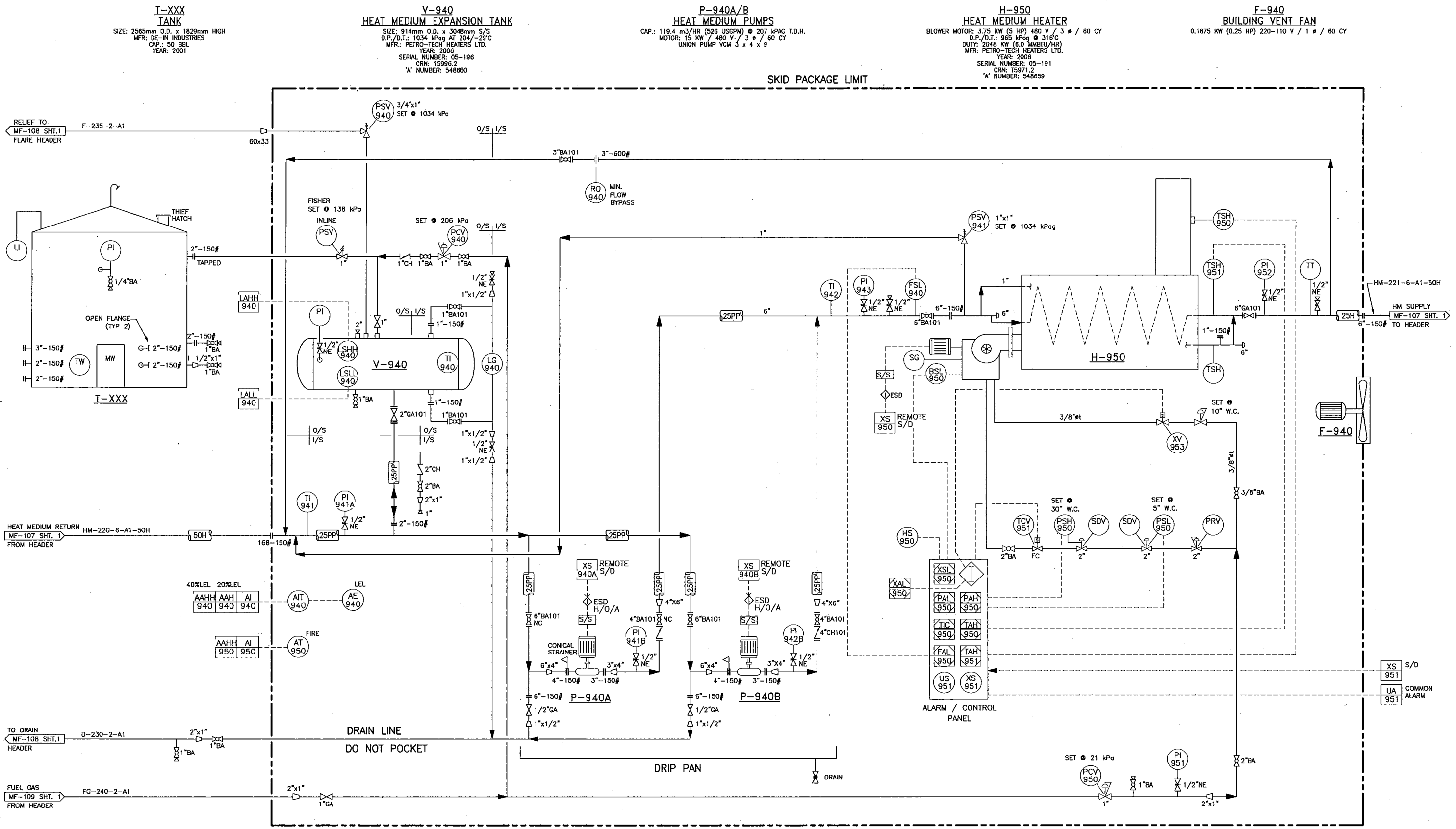
<b>ConocoPhillips</b> Canada		
IDENTIFIER	DRAWING No.	REV.
	MF-113-1	6

This print and information portrayed there-on must not be reproduced or extracted without the permission of Burlington Resources Canada Ltd.

C:\Documents and Settings\jasic\Desktop\C-081-1 094-H-09\SRB-001-PID-030-0003.DWG August 17, 2011 - 10:39am (jasic)



This print and information portrayed there-on must not be reproduced or extracted without the permission of Burlington Resources Canada Ltd.



**I-XXX TANK**  
 SIZE: 2565mm O.D. x 1829mm HIGH  
 MFR: DE-IN INDUSTRIES  
 CAP.: 50 BBL  
 YEAR: 2001

**V-940 HEAT MEDIUM EXPANSION TANK**  
 SIZE: 914mm O.D. x 3048mm S/S  
 D.P./O.T.: 1034 kPag AT 204/-29°C  
 MFR: PETRO-TECH HEATERS LTD.  
 YEAR: 2006  
 SERIAL NUMBER: 05-196  
 CRN: 15996.2  
 'A' NUMBER: 548660

**P-940A/B HEAT MEDIUM PUMPS**  
 CAP.: 119.4 m<sup>3</sup>/HR (526 USGPM) @ 207 kPag T.D.H.  
 MOTOR: 15 KW / 480 V / 3 # / 60 CY  
 UNION PUMP VCM 3 x 4 x 9

**H-950 HEAT MEDIUM HEATER**  
 BLOWER MOTOR: 3.75 KW (5 HP) 480 V / 3 # / 60 CY  
 D.P./O.T.: 965 kPag @ 316°C  
 DUTY: 2048 KW (6.0 MMBTU/HR)  
 MFR: PETRO-TECH HEATERS LTD.  
 YEAR: 2006  
 SERIAL NUMBER: 05-191  
 CRN: 15971.2  
 'A' NUMBER: 548659

**F-940 BUILDING VENT FAN**  
 0.1875 KW (0.25 HP) 220-110 V / 1 # / 60 CY

SKID PACKAGE LIMIT

**ConocoPhillips**  
 CPC DWG No: SRB-001-PID-075-0004

REV	DATE	REVISION DESCRIPTION	BY	CHK.
4	06.04.24	REVISED AS NOTED (MRC JOB# 05553)	TR	
3	06.02.14	IFC (MRC JOB# 05553)	KM	
2	05.10.19	ISSUED FOR HAZOP (MRC JOB# 05553)	TR	
6	07.07.20	MECHANICAL AS-BUILT-CALTECH PROJ# CS11770	LAM	KD
5	06.10.31	AS-BUILT	DJ	

REV	DATE	REVISION DESCRIPTION	BY	CHK.
4	06.04.24	REVISED AS NOTED (MRC JOB# 05553)	TR	
3	06.02.14	IFC (MRC JOB# 05553)	KM	
2	05.10.19	ISSUED FOR HAZOP (MRC JOB# 05553)	TR	
6	07.07.20	MECHANICAL AS-BUILT-CALTECH PROJ# CS11770	LAM	KD
5	06.10.31	AS-BUILT	DJ	

ENGINEER	-
APPROVAL	-
CHECKER	-
DRAWN	SE
DATE	05.07.13
SCALE:	NTS

REV.3 STAMPED & SIGNED BY APEGGA MEMBER KURT A.H. KURE 2006.04.21  
 REV.3 STAMPED & SIGNED BY APEGGA PERMIT RESOURCE CONSULTING PERMIT No. P6109 2006.04.21  
 LICENCE AND PERMIT

RING BORDER SOUTH RING BORDER GAS PLANT HEAT MEDIUM SKID MECHANICAL FLOW DIAGRAM c-81-1/94-H-9

<b>ConocoPhillips</b> Canada		
IDENTIFIER	DRAWING No.	REV.
	MF-114-1	6

This print and information portrayed there-on must not be reproduced or extracted without the permission of Burlington Resources Canada Ltd.

**V-321**  
INLET SEPARATOR  
SIZE: 914mm O.D. x 3048mm S/S  
MAWP: 4137 kPa @ 149°C  
C.A.: 1.5mm  
MFR: BEARSPAW  
SERIAL NUMBER: 1252A  
CRN: N-3440-21  
'A' NUMBER: 413054

**V-322**  
BLOWCASE - 3 PHASE  
SIZE: 406mm x 2432mm S/S  
MAWP: 8893 kPa @ 149°C  
C.A.: 1.5mm  
BOOT: 219mm O.D. x 483mm LONG  
MFR: BEARSPAW  
SERIAL NUMBER: 1252B  
CRN: N-3441.21

**K-320**  
COMPRESSOR PACKAGE  
ENGINE: CATERPILLAR 3512TA-130  
PMR RATING: 810 HP @ 1200 RPM  
COMPRESSOR: KNOX WESTERN EAGLE #4445  
(NO NAME PLATE)

**V-323**  
STG 1 SUCTION SCRUBBER  
SIZE: 610mm O.D. x 1829mm S/S  
D.P./D.T.: 4137 kPa @ 149°C  
MFR: BEARSPAW  
SERIAL NUMBER: 1252C  
CRN: N-3445.21  
'A' NUMBER: 413056

**V-328**  
STG 1 SUCTION BOTTLE  
SIZE: 356mm O.D. x 1626mm S/S  
D.P./D.T.: 4137 kPa @ 149°C  
MFR: BEARSPAW  
SERIAL NUMBER: 1252E  
CRN: N-3442.21  
'A' NUMBER: 413058

**V-329**  
STG 1 DISCHARGE BOTTLE  
SIZE: 356mm O.D. x 1575mm S/S  
D.P./D.T.: 4137 kPa @ 149°C  
(NO NAME PLATE)

**E-326**  
1ST STG DISCHARGE COOLER  
MAWP: 4437 kPa @ 149°C  
MFR: THERMOTECH  
SERIAL NUMBER: 96291313  
CRN: N-3395.21  
'A' NUMBER: 421299

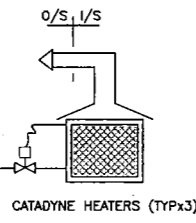
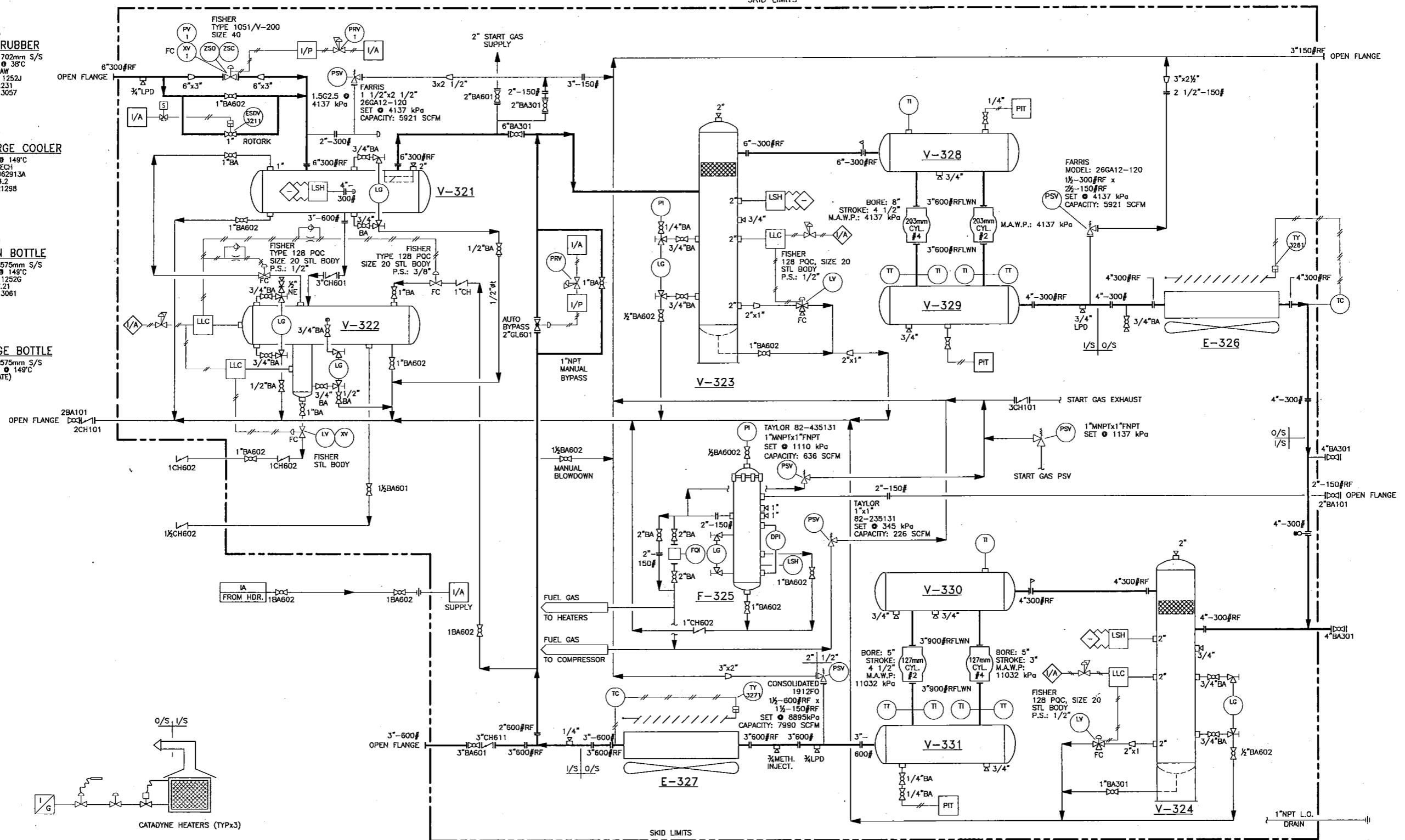
**V-324**  
STG 2 SUCTION SCRUBBER  
SIZE: 508mm O.D. x 4137mm S/S  
MAWP: 4137 kPa @ 149°C  
MFR: BEARSPAW  
SERIAL NUMBER: 1252D  
CRN: N-3443.21  
'A' NUMBER: 413060

**F-325**  
FUEL GAS SCRUBBER  
SIZE: 168mm O.D. x 1702mm S/S  
MAWP: 1965 kPa @ 38°C  
MFR: BEARSPAW  
SERIAL NUMBER: 1252J  
CRN: K-8953.231  
'A' NUMBER: 413057

**E-327**  
2ND STG DISCHARGE COOLER  
MAWP: 9067 kPa @ 149°C  
MFR: THERMOTECH  
SERIAL NUMBER: 962913A  
CRN: N-3394.2  
'A' NUMBER: 421298

**V-330**  
STG 2 SUCTION BOTTLE  
SIZE: 324mm O.D. x 1575mm S/S  
MAWP: 4137 kPa @ 149°C  
SERIAL NUMBER: 1252G  
CRN: N-3447.21  
'A' NUMBER: 413061

**V-331**  
STG 2 DISCHARGE BOTTLE  
SIZE: 324mm O.D. x 1575mm S/S  
D.P./D.T.: 8895 kPa @ 149°C  
(NO NAME PLATE)



INFORMATION ON THIS  
DRAWING TRANSCRIBED FROM  
CANADIAN HUNTER  
DWG. NO. 634596 D-001 SHT.1 REV.3

REFERENCE DRAWINGS	DWG No

REV	DATE	REVISION DESCRIPTION	BY
3	07.07.20	MECHANICAL AS-BUILT-CALTECH PROJ# GS11770	ZAH
2	03.07.25	AS-BUILT FG SKID & SPIKE PLANT	S.TOY
1	03.06.10	FG SKID ADDITION-LINE NUMBERS REVISED	PJL
0	03.06.04	2003 FUEL GAS SKID ADDITION	PJL
A	03.02.25	ISSUED FOR REVIEW	J.J.

ENGINEER	APPROVAL	CHECKER	DRAWN	DATE	SCALE	APPROVED	DATE
			J.I.	03.02.25	NTS		

LICENCE AND PERMIT

RING BORDER  
SOUTH RING GAS PLANT  
MECHANICAL FLOW DIAGRAM  
COMPRESSOR K-320(BEARSPAW)  
c-81-1/94-H-9

PLANT No	DRAWING No.	REV
03.012	020.01	3

ConocoPhillips  
CPC DWG No: SRB-001-PID-020-0003

ConocoPhillips  
Canada





This print and information portrayed here-on must not be reproduced or extracted without the permission of Burlington Resources Canada Ltd.

**T-710**  
**GLYCOL CONTACTOR**  
 610mm O.D. x 8077mm S/S  
 9653 kPa @ 66°C  
 C.A. : 1.6mm  
 8 TRAYS @ 610mm SPACING

**E-310**  
**GAS/GLYCOL EXCHANGER**  
 89mm O.D. x 114mm x 3048mm E/E  
 TS: 9653 kPa @ 66°C  
 C.A. : 0mm  
 SS : 9653 kPa @ 66°C  
 C.A. : 0mm

**P-510 A/B**  
**GLYCOL PUMPS**  
 KIMRAY MODEL 9015 PV  
 PUMP RATE :  
 MIN: 103 L/HR MAX: 341 L/HR

**F-610**  
**GLYCOL FILTER**  
 CUNO MODEL 1B1  
 ONE (1) 25 MICRON ELEMENT

**F-620**  
**CARBON FILTER**  
 CUNO MODEL 1B2

**V-200**  
**FUEL GAS SCRUBBER**  
 273mm O.D. x 460mm LG  
 1000 kPa @ 66°C  
 C.A. : 1.6mm

**H-410-75**  
**GLYCOL REGENERATOR**  
 75 kW  
 610mm O.D. x 2100mm LG REBOILER  
 610mm O.D. x 1500mm LG SURGE

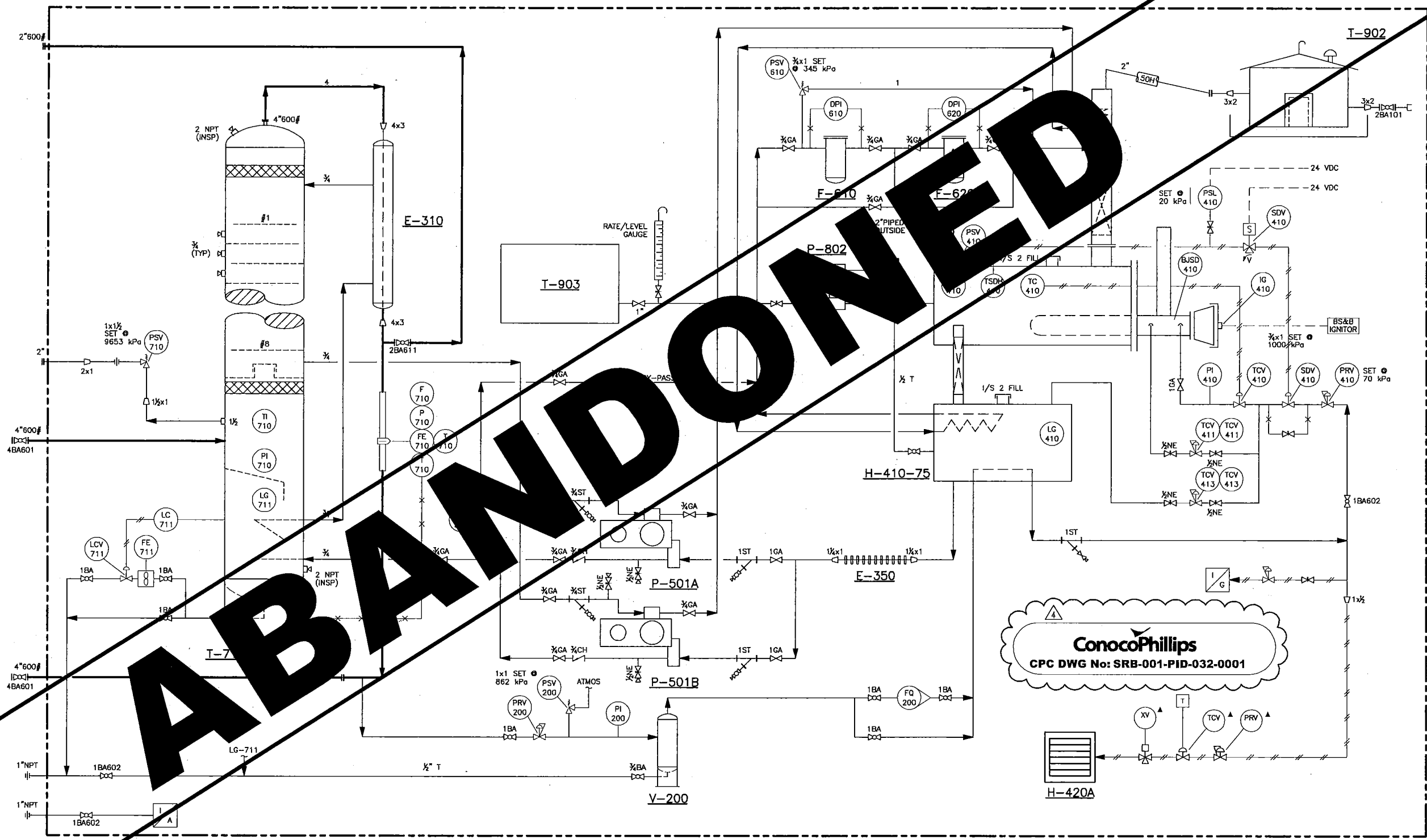
**H-420A**  
**CATALYTIC HEATER**  
 16,000 BTU/HR  
 Wx24x24  
 120 VOLTS

**E-350**  
**AIR/GLYCOL EXCHANGER**  
 42mm O.D. x 3000mm  
 TRANE FIN TUBE

**P-802**  
**GLYCOL PUMP**  
 E-SERIES  
 VM PUMPS

**T-902**  
**STILL RUN-DOWN TANK**  
 CAP: 50 BBL  
 SIZE: 2438 O.D. x 1829 HIGH

**T-903**  
**GLYCOL TANK**



**ConocoPhillips**  
 CPC DWG No: SRB-001-PID-032-0001

REFERENCE DRAWINGS	DWG No

REV	DATE	REVISION DESCRIPTION	BY
3	03.07.25	AS-BUILT FG SKID & SPIKE PLANT	S.TOY
2	03.06.10	FG SKID ADDITION-LINE NUMBERS REVISED	P.J.L
1	03.06.09	FG SKID ADD.-REVISED PER FIELD COMMENTS	P.J.L
0	03.06.04	2003 FUEL GAS SKID ADDITION	P.J.L
4	08.11.19	ADDED CPC DRAWING NUMBER	CDL

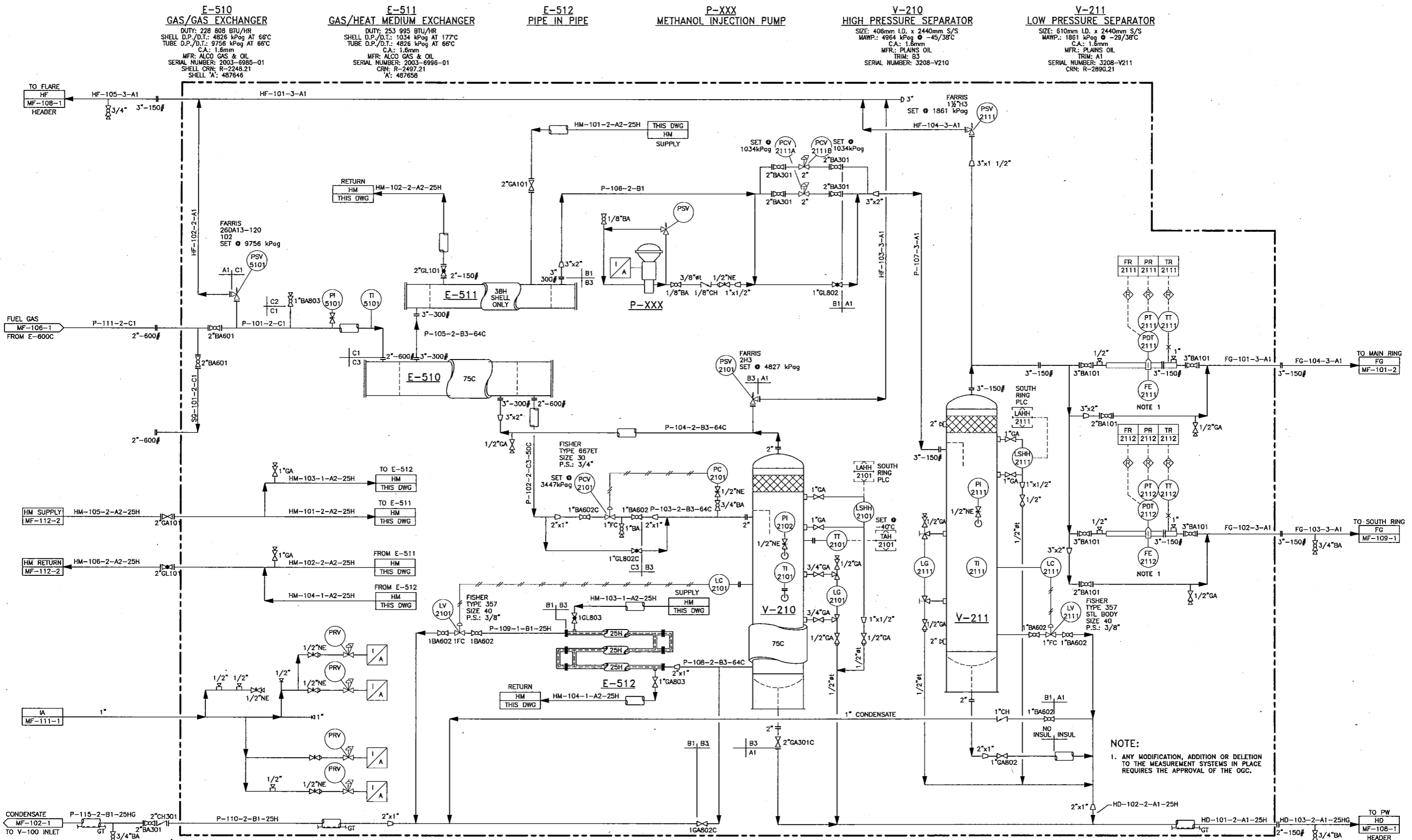
ENGINEER	APPROVAL	CHECKER	DRAWN	DATE	SCALE:	APPROVED	DATE
			J.I.	03.02.27	NTS		

LICENCE AND PERMIT

RING BORDER  
 SOUTH RING GAS PLANT  
 MECHANICAL FLOW DIAGRAM  
 24" SWEET DEHYDRATION UNIT  
 c-81-1/94-H-9

<b>ConocoPhillips</b> Canada		
PLANT No	DRAWING No.	REV
03.012	032.01	4

This print and information portrayed here-on must not be reproduced or extracted without the permission of Burlington Resources Canada Ltd.



**ConocoPhillips**  
 CPC DWG No: SRB-001-PID-072-0002

REFERENCE DRAWINGS	DWG No

REV	DATE	REVISION DESCRIPTION	BY
3	03.07.25	AS-BUILT FG SKID & SPIKE PLANT	S.T.OY
2	03.06.10	FG SKID ADDITION-LINE NUMBERS REVISED	P.J.L
1	03.06.09	FG SKID ADD.-REVISED PER FIELD COMMENTS	P.J.L
0	03.06.04	2003 FUEL GAS SKID ADDITION	P.J.L
4	07.07.20	MECHANICAL AS-BUILT-CALTECH PROJ# CS11770	LAM

ENGINEER	APPROVAL	CHECKER	DRAWN	DATE	SCALE:	APPROVED	DATE
			RJ	03.02.04	NTS		

LICENCE AND PERMIT

**SOUTH RING GAS PLANT FUEL GAS SEPARATOR MECHANICAL FLOW DIAGRAM**  
 c-81-1/94-H-9

**ConocoPhillips**  
 Canada

PLANT No	DRAWING No.	REV
03.012	072.01	4