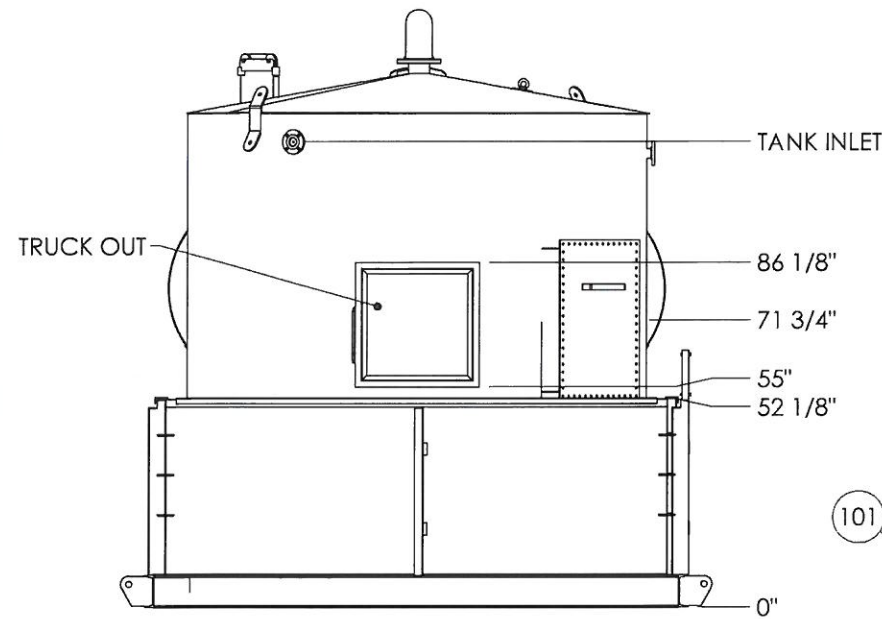
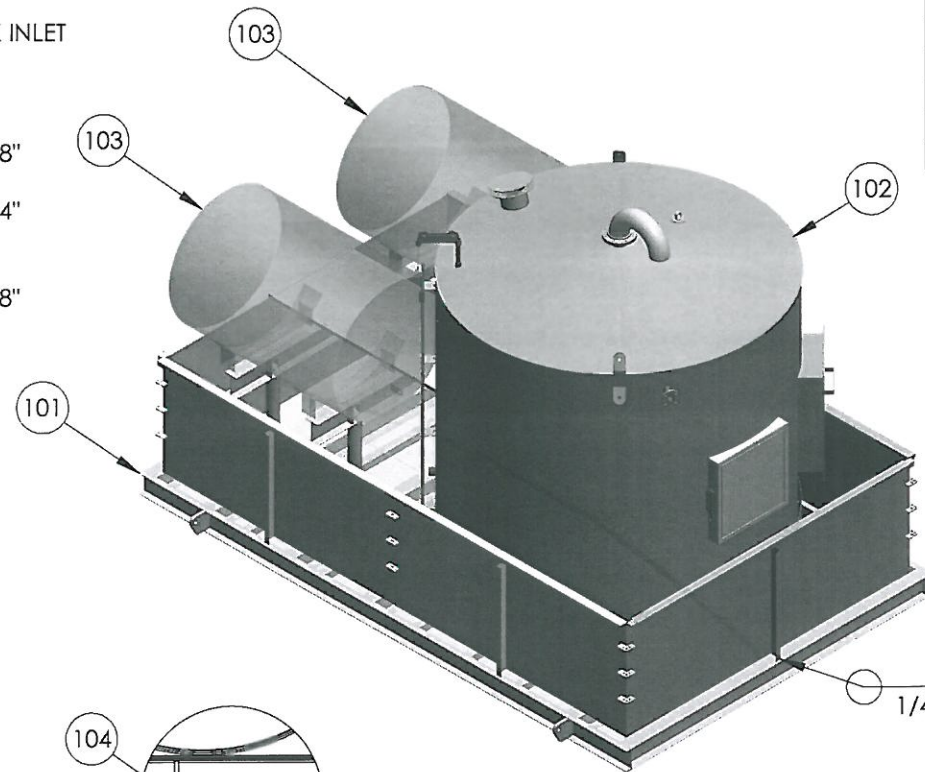


BILL OF MATERIAL

ITEM	PART #	DRAWING #	DESCRIPTION	MATERIAL	SIZE	QTY	MTR #
101		09067-001-S-001	SKID ASSEMBLY			1	
102	783547		STANDARD 100 BBL SINGLE WALL TANK	-		1	
103			500 GALLON TANK			2	
104	BOL.752.5AAA		BOLT 3/4" x 3" LG HEX HEAD PLATED	GRADE 8		10	
105	WAS.75YAYA		FLAT WASHER 3/4" PLATED	GRADE 8		10	
106			SIGN - SHIP LOOSE	-		1	
107	BOL.52BAA		BOLT 1/2" x 2" LG HEX HEAD PLATED	GRADE 2		2	
108			NUT (HEX): 1/2" DIA.	GR 2 PLATED		2	

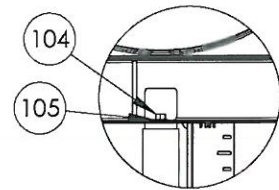


RIGHT VIEW
SCALE: 1:48

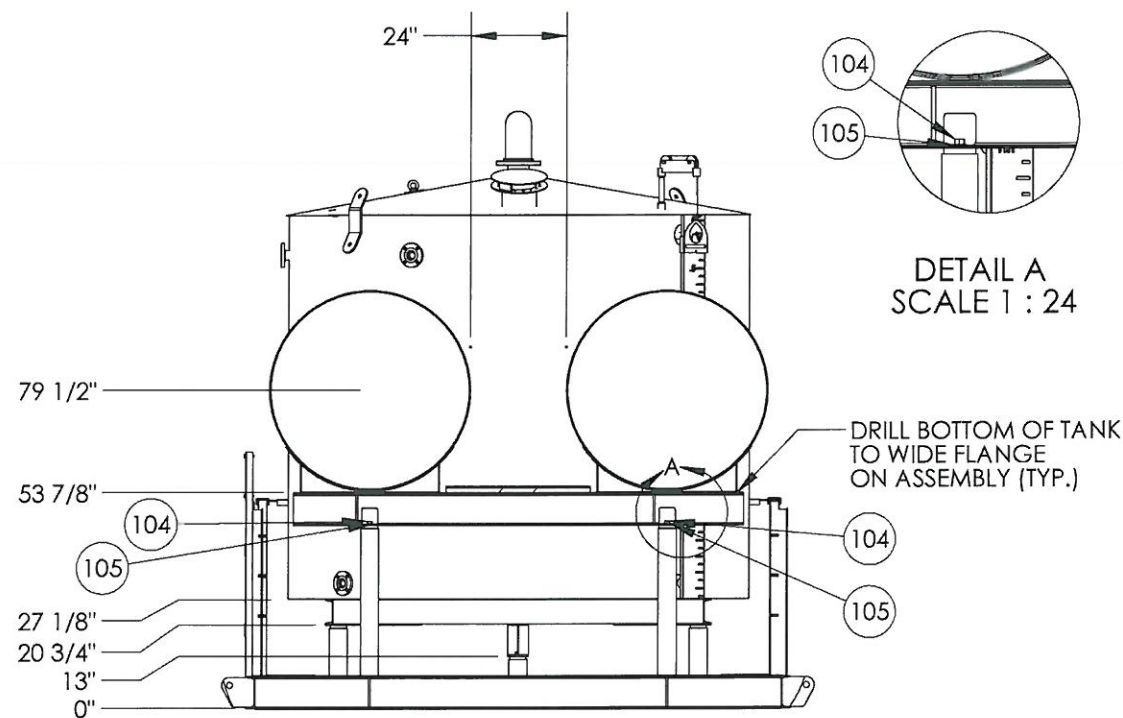


WELD CONTAINMENT LEGS ON ASSEMBLY TO ENSURE PROPER FIT (TYP.)

1/4"

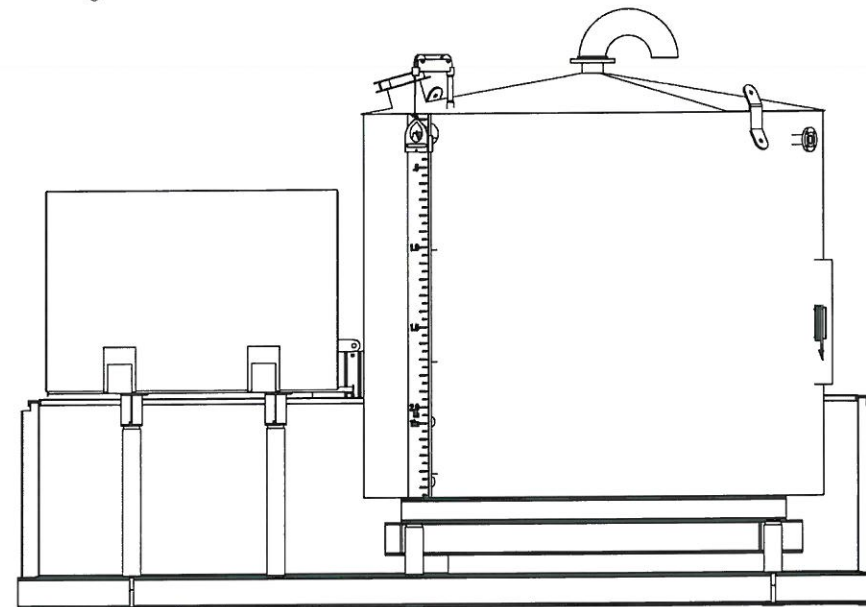


DETAIL A
SCALE 1 : 24



LEFT VIEW
SCALE: 1:48

DRILL BOTTOM OF TANK TO WIDE FLANGE ON ASSEMBLY (TYP.)

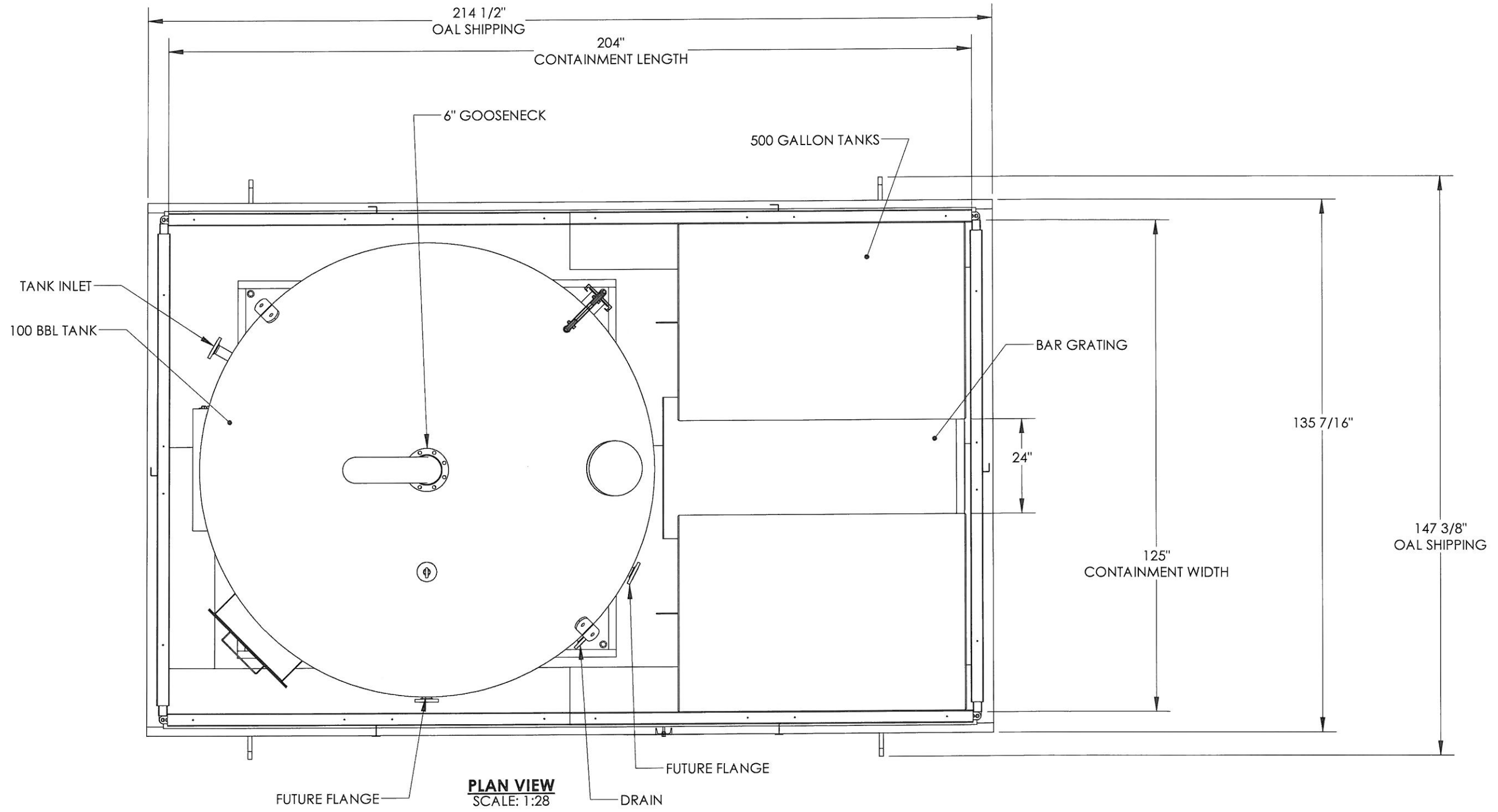


GENERAL ASSEMBLY SEQUENCE



1. CONTAINMENT WALLS/LEGS.
2. GEOTEXTILE BLADDER WITH PILE BOOTS.

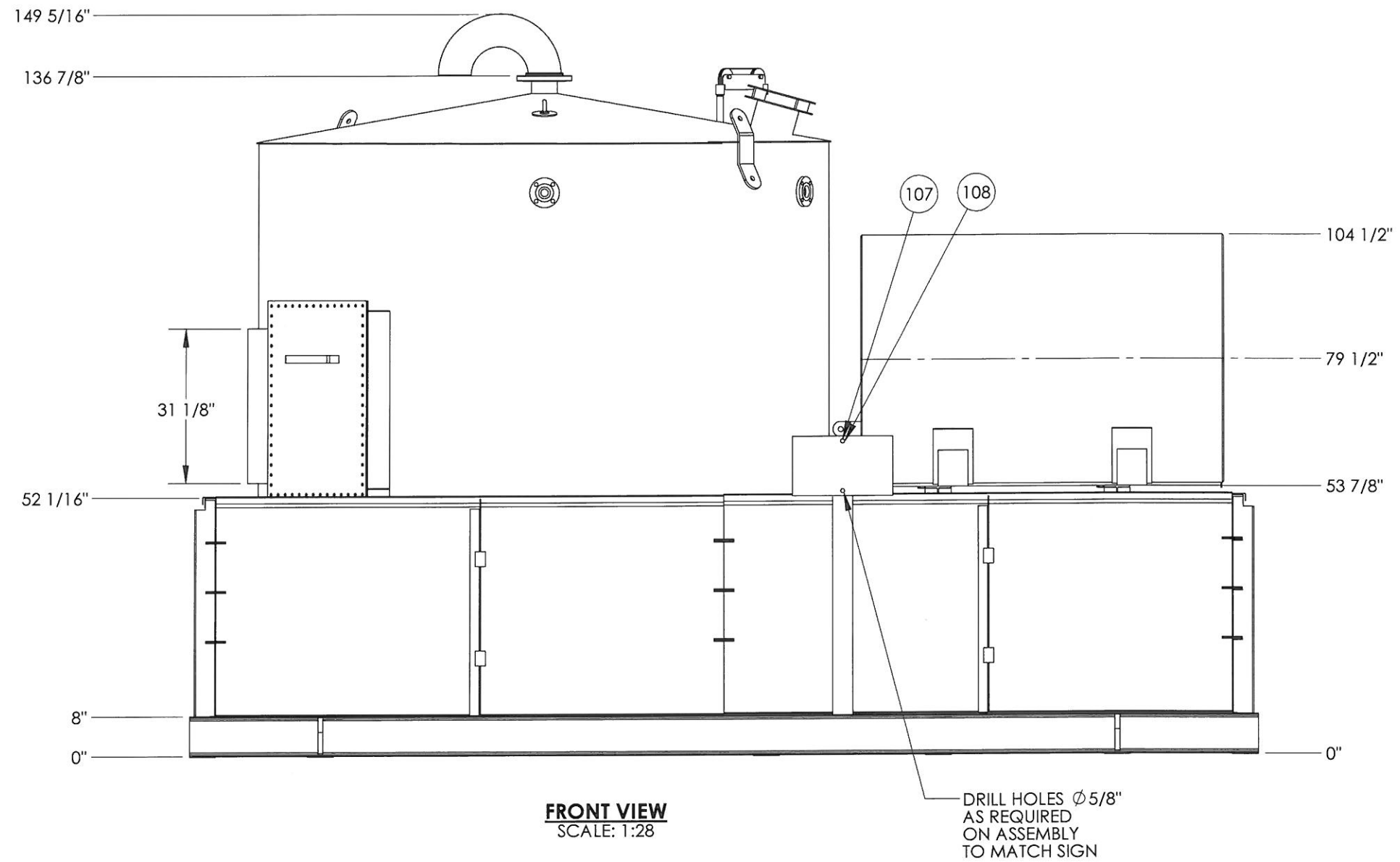
SEE SUPPLIED INSTRUCTIONS FOR MORE DETAILS ON CONTAINMENT INSTALLATION.



<p>ISSUED FOR APPROVAL</p> <p><input type="checkbox"/> 1. APPROVED PROCEED WITH CONSTRUCTION</p> <p><input type="checkbox"/> 2. APPROVED, REVISE AS NOTED, PROCEED WITH CONSTRUCTION</p> <p><input type="checkbox"/> 3. NOT APPROVED REVISE AND RESUBMIT</p>				<p>NWP</p> <p>INDUSTRIES INC.</p> <p>Total oilfield supply.</p> <p>P.O. BOX 6280, INNISFAIL, AB T4G 1S9 PH: (403) 227-4100 FAX: (403) 227-4102</p>		<p>CONOCO PHILLIPS CANADA SWEET VERTICAL SEPERATOR PACKAGE 100 BBL TANK W/SKID CONTAINMENT</p> <p>GENERAL ARRANGEMENT</p>					
						DWN: EB	CHK:	APP:			
REV. A	DATE 28/07/2014	BY: EB	APP:	DESCRIPTION	SIGNATURE	DATE	PROJECTION:	SCALE: AS NOTED	SHEET: 1 OF 3	DWG: 09139-001-G-001	REV: A
DRAWING REVISIONS				ALL DIMENSIONS IN INCHES		WEIGHT: 19292 (APPROX LBS)					



SHIPPING WEIGHT = 10,000 LBS

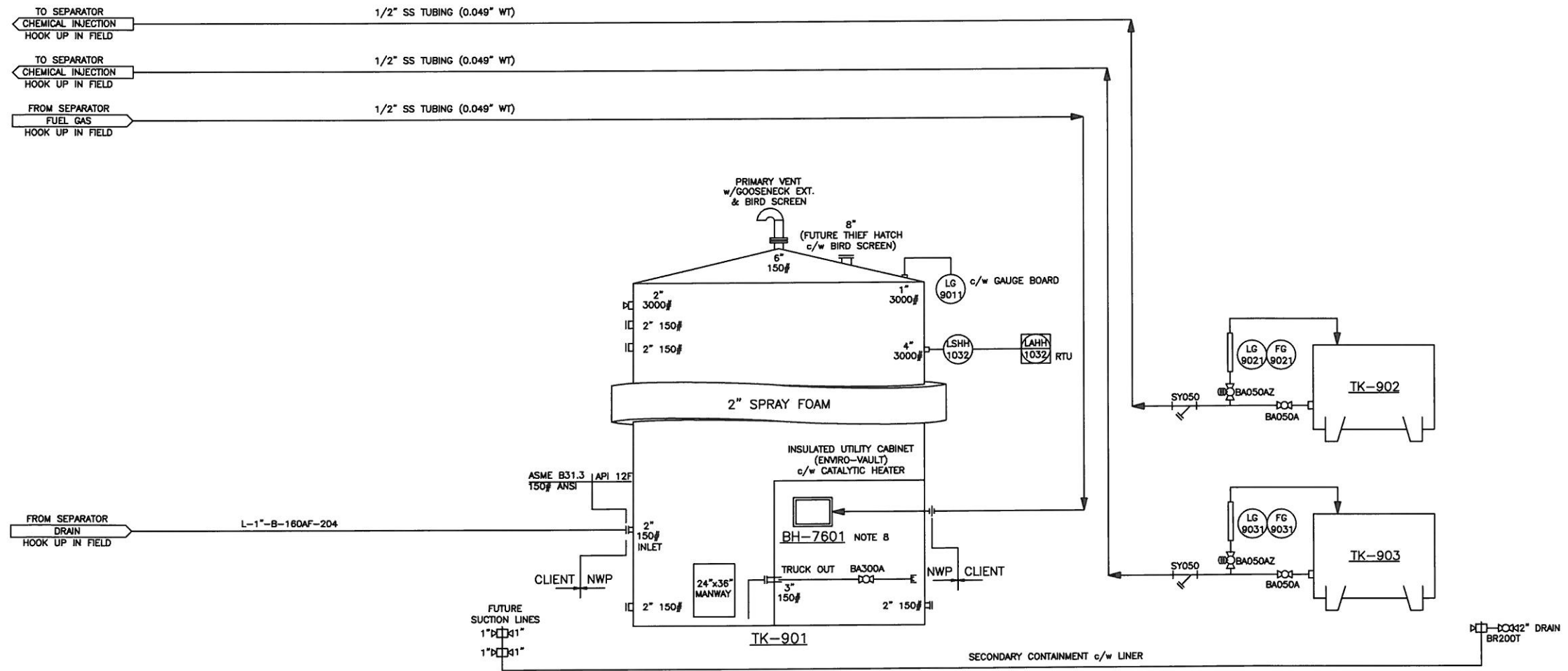
<table border="1"> <tr> <td>REV.</td> <td>DATE</td> <td>BY:</td> <td>CHK:</td> <td>APP:</td> <td>DESCRIPTION</td> </tr> <tr> <td>A</td> <td>28/07/2014</td> <td>EB</td> <td></td> <td></td> <td>ISSUED FOR APPROVAL</td> </tr> </table>					REV.	DATE	BY:	CHK:	APP:	DESCRIPTION	A	28/07/2014	EB			ISSUED FOR APPROVAL	<p>ISSUED FOR APPROVAL</p> <p><input type="checkbox"/> 1. APPROVED PROCEED WITH CONSTRUCTION</p> <p><input type="checkbox"/> 2. APPROVED, REVISE AS NOTED, PROCEED WITH CONSTRUCTION</p> <p><input type="checkbox"/> 3. NOT APPROVED REVISE AND RESUBMIT</p>		 <p>NWP INDUSTRIES INC. Total oilfield supply.</p> <p>P.O. BOX 6280, INNISFAIL, AB T4G 1S9 PH: (403) 227-4100 FAX: (403) 227-4102</p>		<p>CONOCO PHILLIPS CANADA SWEET VERTICAL SEPERATOR PACKAGE 100 BBL TANK W/SKID CONTAINMENT - GENERAL ARRANGEMENT</p>		
					REV.	DATE	BY:	CHK:	APP:	DESCRIPTION													
A	28/07/2014	EB			ISSUED FOR APPROVAL																		
<p>SIGNATURE _____ DATE _____</p> <p>ALL DIMENSIONS IN INCHES</p>		<p>PROJECTION: </p> <p>SCALE: AS NOTED</p> <p>WEIGHT: 19292 (APPROX. LBS)</p>	<p>DWN: EB</p> <p>DATE: 18/03/2014</p> <p>SHEET: 2 OF 3</p>	<p>CHK: _____</p> <p>DATE: _____</p> <p>DWG: 09139-001-G-001</p>	<p>APP: _____</p> <p>DATE: _____</p> <p>REV: A</p>																		



					ISSUED FOR APPROVAL <input type="checkbox"/> 1. APPROVED PROCEED WITH CONSTRUCTION <input type="checkbox"/> 2. APPROVED, REVISE AS NOTED, PROCEED WITH CONSTRUCTION <input type="checkbox"/> 3. NOT APPROVED REVISE AND RESUBMIT		 NWP INDUSTRIES INC. Total oilfield supply.		CONOCO PHILLIPS CANADA SWEET VERTICAL SEPERATOR PACKAGE 100 BBL TANK W/SKID CONTAINMENT - GENERAL ARRANGEMENT													
												P.O. BOX 6280, INNISFAIL, AB T4G 1S9 PH: (403) 227-4100 FAX: (403) 227-4102		DWN: EB DATE: 18/03/2014	CHK: DATE:	APP: DATE:						
<table border="1"> <tr> <td>A</td> <td>28/07/2014</td> <td>EB</td> <td></td> <td></td> <td>ISSUED FOR APPROVAL</td> </tr> <tr> <th>REV.</th> <th>DATE</th> <th>BY:</th> <th>CHK:</th> <th>APP:</th> <th>DESCRIPTION</th> </tr> </table>					A	28/07/2014	EB			ISSUED FOR APPROVAL	REV.	DATE	BY:	CHK:	APP:	DESCRIPTION	SIGNATURE _____ DATE _____		PROJECTION: 	SCALE: AS NOTED WEIGHT: 19292 (APPROX. LBS)	SHEET: 3 OF 3 DWG: 09139-001-G-001	REV: A
A	28/07/2014	EB			ISSUED FOR APPROVAL																	
REV.	DATE	BY:	CHK:	APP:	DESCRIPTION																	

TK-901
DRAIN TANK
MFR: NWP
SIZE: 100 SW BBL

TK-902/903
METHANOL/CHEMICAL TANK
MFR: CLEMMER STEELCRAFT
CAPACITY: 500 GAL
SINGLE WALL STEEL TANK c/w VENT CAP



REV	DATE	BY	CHK	APP	DESCRIPTION
A	JULY 28/14	SF	.	.	ISSUED FOR APPROVAL
DRAWING REVISIONS					

ISSUED FOR APPROVAL

1. APPROVED PROCEED WITH CONSTRUCTION.
 2. APPROVED AS NOTED PROCEED WITH CONSTRUCTION.
 3. NOT APPROVED REVISE AND RESUBMIT.

SIGNATURE

DATE

ALL DIMENSIONS IN INCHES

NWP
INDUSTRIES INC.
Total oilfield supply.

P.O. BOX 6280, INNISFAIL, AB T4G 1S9
PH: (403) 227-4100 FAX: (403) 227-4102

SCALE: _____
WEIGHT: (A7/PROX. LBS) N.T.S.

RARE
Oilfield Services Corp.

CONOCO PHILLIPS CANADA
100 SW BBL TANK SKID
W/ SECONDARY CONTAINMENT
PIPING AND INSTRUMENTATION DIAGRAM

DWN: SF	CHK:	APP:
DATE: JULY 28/14	DATE:	DATE:
SHEET: 1 OF 2	DWG: 09139-001-P-001	REV: A

NOTES

1. PIPE SUPPORTS WHERE REQUIRED.
2. INSTRUMENT SUPPLY LINES TO BE TESTED AS PER AB-522
3. ALL PROCESS TUBING LINES TO BE TESTED AS PER B31.3.
4. SHIP LOOSE ITEMS TO BE BOXED AND SEALED PRIOR TO SHIPMENT.
5. PLUG ALL OUTLETS PRIOR TO SHIPMENT.
6. 316SS TUBE FITTINGS AND FERRELS.
7. 1/2", 3/4" NIPPLES SCH 160.
8. INSTALLATION OF HEATER BH-7601 AS PER CLIENT SUPPLIED DRAWING TYP-GEN-PID-0007 REV FYI

LEGEND

	MAJOR PROCESS LINE		BALL VALVE
	UTILITY LINE		SPRING RETURN BALL VALVE
	BUILDING LIMITS		GLOBE VALVE
	PROCESS/UTILITY TUBING LINE		GATE VALVE
	INSTRUMENT PNEUMATIC LINE		CHECK VALVE
	INSTRUMENT CAPILLARY LINE		PLUG VALVE
	ELECTRICAL DATALINK LINE		NEEDLE VALVE
	ELECTRICAL CONNECTION LINE		STRAIGHT CHOKE VALVE
	BALL VALVE		SOCKET WELD VALVE
	SPRING RETURN BALL VALVE		SOLENOID VALVE
	GLOBE VALVE		RUPTURE VALVE
	GATE VALVE		BUTTERFLY VALVE
	CHECK VALVE		3-WAY VALVE
	PLUG VALVE		4-WAY VALVE
	NEEDLE VALVE		DIAPHRAGM ACTUATED CONTROL VALVE
	STRAIGHT CHOKE VALVE		PRESSURE REGULATOR
	SOCKET WELD VALVE		3-WAY DIAPHRAGM CONTROL VALVE
	SOLENOID VALVE		
	RUPTURE VALVE		
	BUTTERFLY VALVE		
	3-WAY VALVE		
	4-WAY VALVE		
	DIAPHRAGM ACTUATED CONTROL VALVE		
	PRESSURE REGULATOR		
	3-WAY DIAPHRAGM CONTROL VALVE		

LINE TAGGING

XX-X"-X-XXXX-XXX

CONDENSATE - C	100-199 MAJOR PROCESS FLUIDS
DRAIN - D	200-249 MINOR PROCESS FLUIDS
FUEL GAS - FG	250-299 RELIEF, DRAINS
INSTRUMENT SUPPLY - IS	300-399 UTILITY VAPOURS
LIQUID - L	400-499 UTILITY LIQUIDS
LEAN GLYCOL - LG	
METHANOL - M	
OIL - O	
PROCESS FLUID - PF	
PROCESS GAS - PG	
PRESSURE RELIEF - PR	
RICH GLYCOL - RG	
VENT (ATMOS) - V	
WATER - W	

INSTRUMENT TUBING

A - GALVANIZED TUBING w/ CS FITTINGS
 B - 304W SS TUBING w/ CS FITTINGS
 C - 304W SS TUBING w/ 316 SS FITTINGS
 D - 316 SS TUBING w/ 316 SS FITTINGS
 E - 316 SS TUBING w/ CS FITTINGS
 F - NOT APPLICABLE

PIPE GRADE

A - SA-106B
 B - SA-333 GR.6

PIPE SCHEDULE

CLASS 2000 THREADED - A
 CLASS 3000 THREADED - B
 CLASS 6000 THREADED - C
 150 ANSI FLANGED - D
 300 ANSI FLANGED - E
 600 ANSI FLANGED - F
 900 ANSI FLANGED - G
 1500 ANSI FLANGED - H
 2500 ANSI FLANGED - I

VALVE TAGGING

XX XX XXX XX

BALL VALVE - BA	025 - 1/4" THRD	A - 2000#
NEEDLE VALVE - NE	038 - 3/8" THRD	B - 3000#
GLOBE VALVE - GL	050 - 1/2" THRD	C - 6000#
CHECK VALVE - CH	075 - 3/4" THRD	F - FULL PORT
GATE VALVE - GA	100 - 1" THRD	G - GAS SERVICE
BUTTERFLY VALVE - BU	201 - 2" 150 ANSI	H - HIGH PRESSURE
Y-STRAINER - YS	303 - 3" 300 ANSI	L - LOW TEMP
FLANGED - F	406 - 4" 600 ANSI	N - NACE
SOCKET WELD - S	609 - 6" 900 ANSI	V - 800#
SOCKET x THRD - ST	815 - 8" 1500 ANSI	W - 900#
	1025 - 10" 2500 ANSI	X - 1500#
		Y - 2500#
		Z - SPECIAL

	ANGLE VALVE		THREADOLET c/w PLUG
	RELIEF VALVE		FLANGE SET
	ANGLE CHOKE VALVE		UNION
	PRESSURE ACTUATED CONTROL VALVE/AMOT		CAP
	ORIFICE METER		PIPE BREAK
	METER RUN		SOCKET WELD CONNECTIN
	TURBINE METER		VENT
	VENTURI		REDUCER/SWAGE
	5-VALVE MANIFOLD		STRAINER
			FLEXIBLE HOSE
			SPECTACLE BLIND OPEN
			SPECTACLE BLIND CLOSED
			THREADOLET/COUPLING
			FLANGED NOZZLE
			MANWAY

	PAGE CONNECTOR		LOCALLY MOUNTED INSTRUMENT
	SPEC/RESPONSIBLTY BREAK		SHARED DISPLAY SHARED CONTROL
	SPEC/RESPONSIBLTY BREAK		FIELD MOUNTED
			RTU PANEL
			I/G TO AND FROM

<p>ISSUED FOR APPROVAL</p> <p><input type="checkbox"/> 1. APPROVED PROCEED WITH CONSTRUCTION.</p> <p><input type="checkbox"/> 2. APPROVED AS NOTED PROCEED WITH CONSTRUCTION.</p> <p><input type="checkbox"/> 3. NOT APPROVED REVISE AND RESUBMIT.</p>					<p>NWP INDUSTRIES INC. Total oilfield supply.</p> <p>P.O. BOX 6280, INNSFAL, AB T4G 1S9 PH: (403) 227-4100 FAX: (403) 227-4102</p>		<p>RARE Oilfield Services Corp.</p> <p>CONOCO PHILLIPS CANADA 100 SW BBL TANK SKID W/ SECONDARY CONTAINMENT PIPING AND INSTRUMENTATION DIAGRAM</p>		
A	JULY 28/14	SF	.	.	ISSUED FOR APPROVAL	DATE: JULY 28/14	DATE:	DATE:	
REV	DATE	BY	CHK	APP	DESCRIPTION	SHEET: 2 OF 2	DWG: 09139-001-P-001	REV: A	
DRAWING REVISIONS						SCALE:	WEIGHT: (APPROX. LBS)	N.T.S.	
ALL DIMENSIONS IN INCHES									