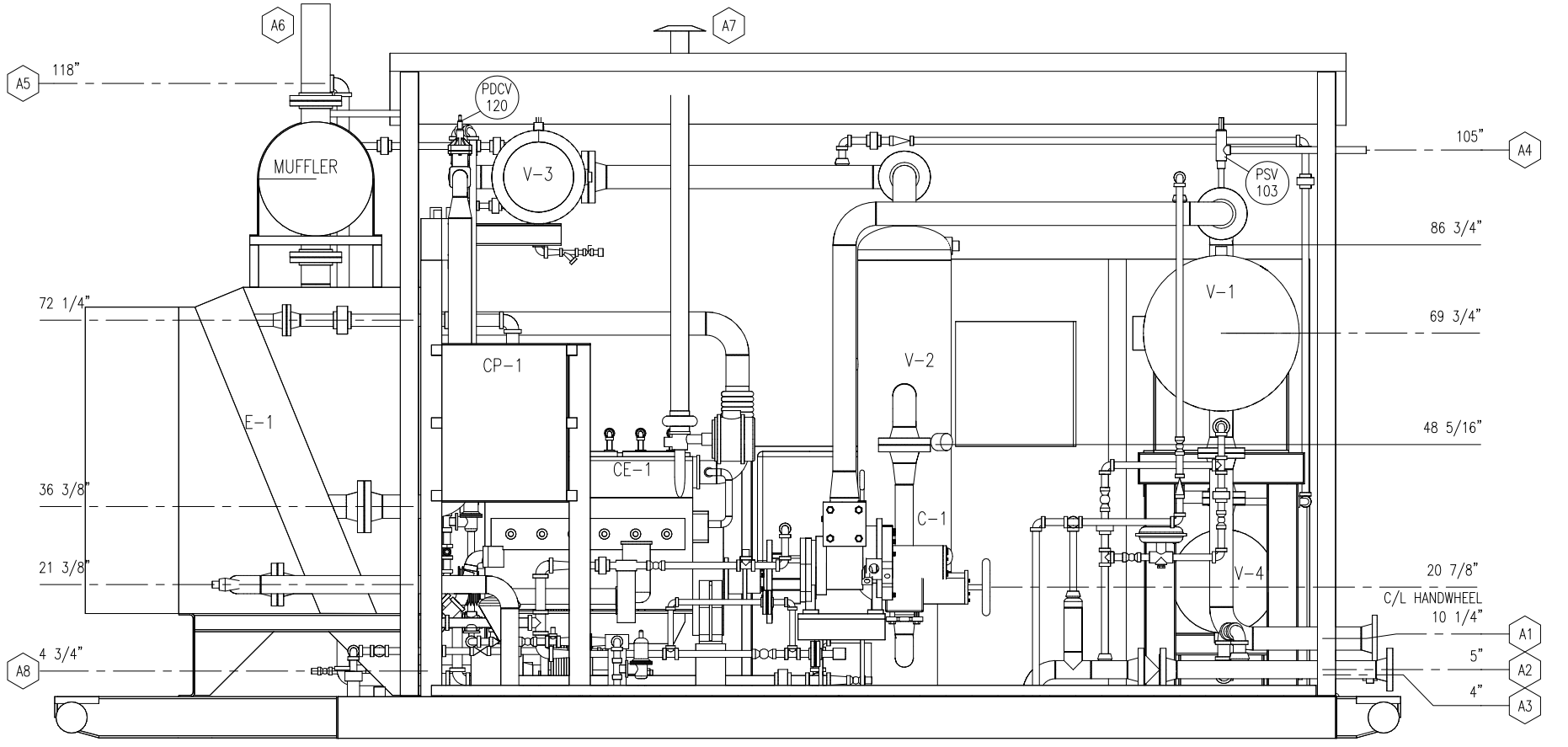
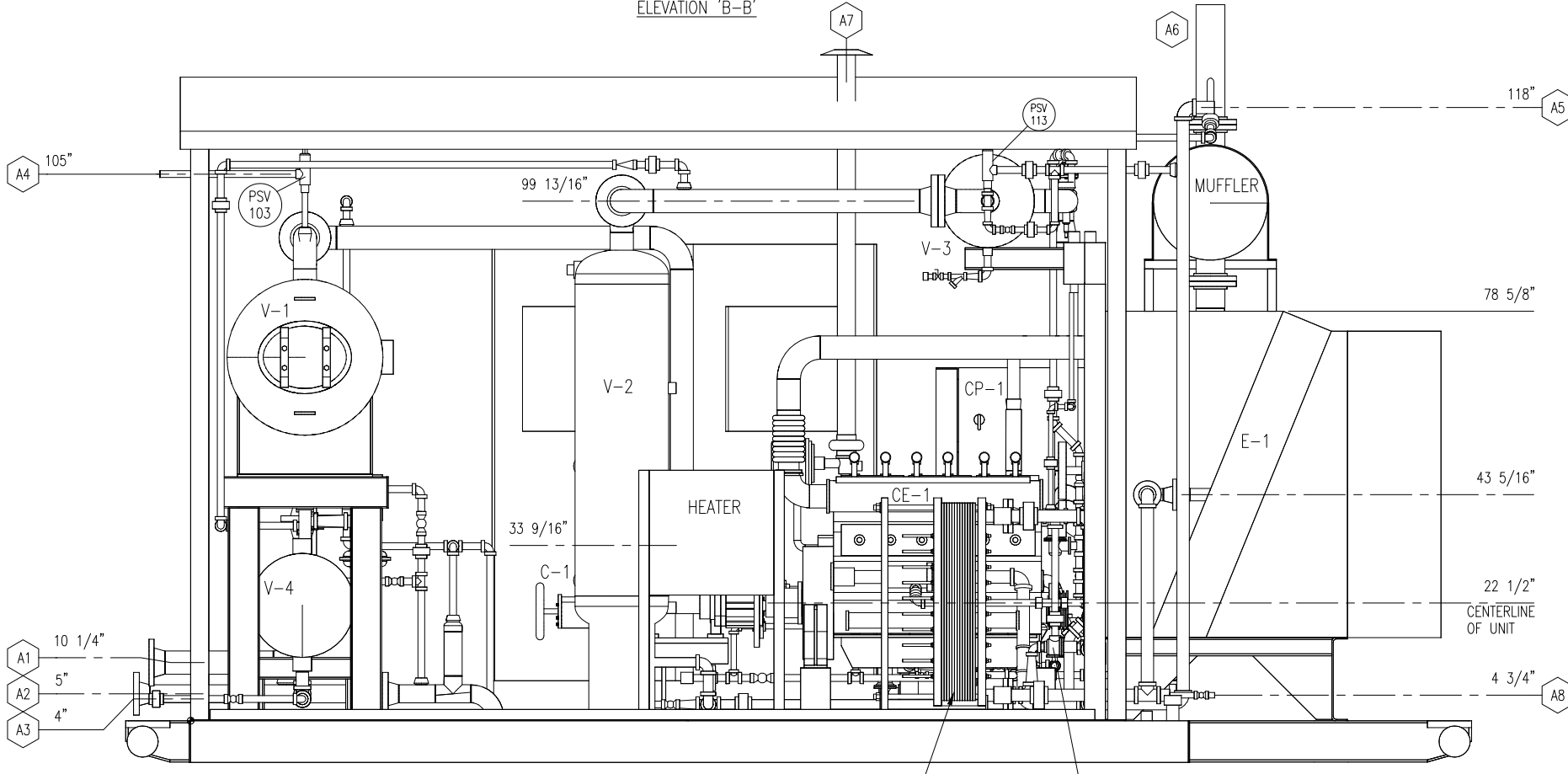


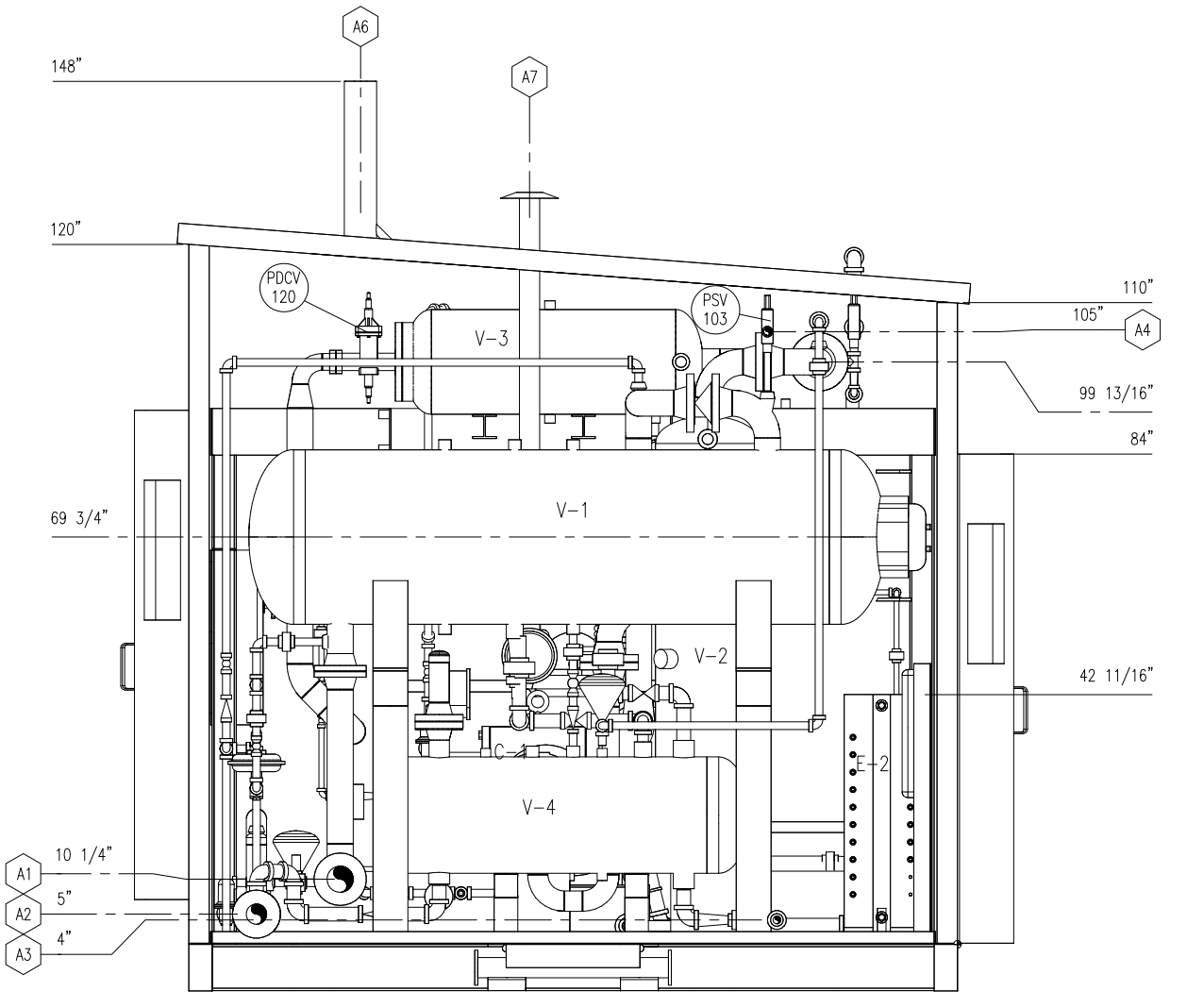
THE INFORMATION CONTAINED HEREIN IS THE CONFIDENTIAL PROPERTY OF TOROMONT PROCESS SYSTEMS AND IS NOT FOR PUBLICATION, AND NO PART THEREOF SHALL BE COPIED OR COMMUNICATED TO A THIRD PARTY WITHOUT AUTHORIZATION FROM TOROMONT PROCESS SYSTEMS



ELEVATION 'B-B'



ELEVATION 'A-A'



ELEVATION 'C-C'

REV.	DESCRIPTION	DATE	BY	APPR.
2	AS BUILT	JAN 20/05	SB	
1	ISSUED FOR CONSTRUCTION	SEP 10/04	KW	DR

PERMIT TO PRACTICE STAMP

ENGINEER STAMP

TOROMONT
TOROMONT PROCESS SYSTEMS

DRAWN BY: GORD HOWE
 CHKD. BY: D. ROUSSEAU
 APPR. BY: D. ROUSSEAU

DATE: SEP 10, 2004
 SCALE: 3/4"=1'-0"
 W.O. No: 11603201

TITLE: ELEVATIONS

FOR: BURLINGTON RESOURCES
 135 HP SE BOOSTER UNIT
 FRICK 151N COMPRESSOR

DWG. No: 11603-201
 SHEET No: 2 OF 3
 REV: 2