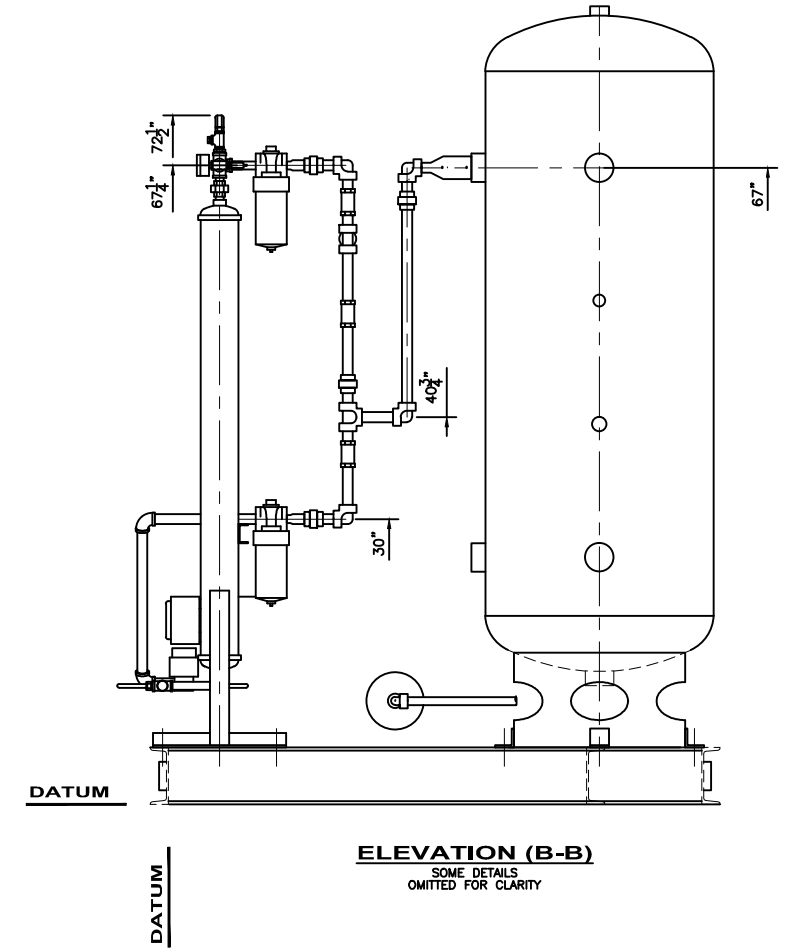
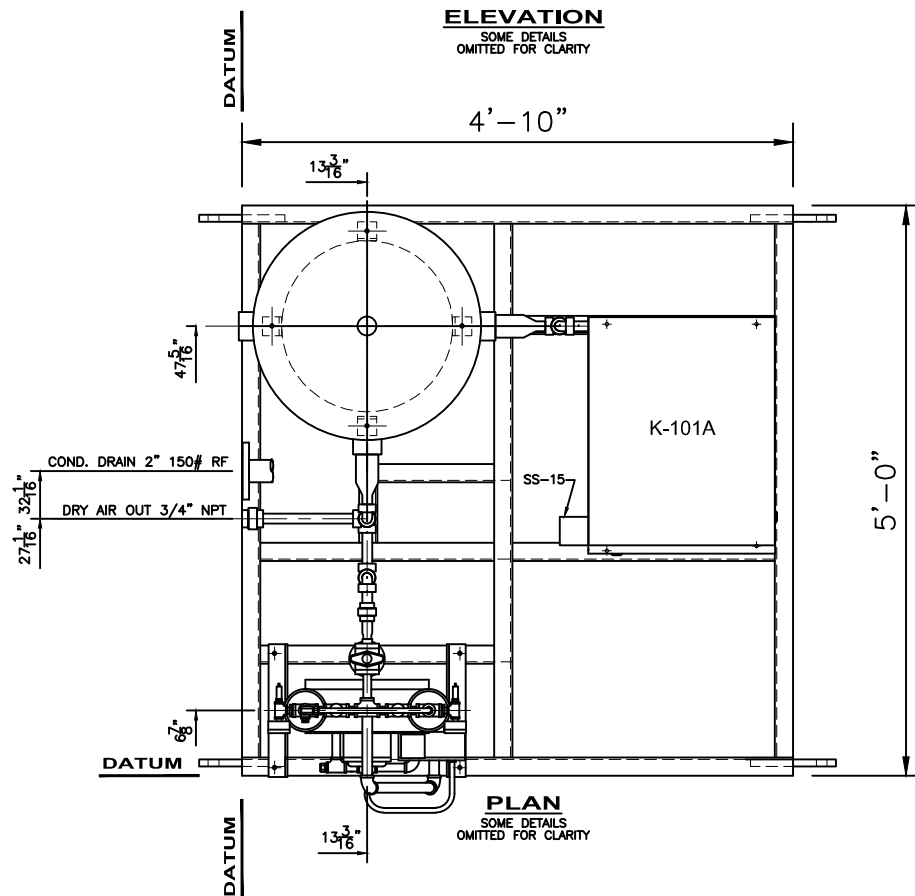
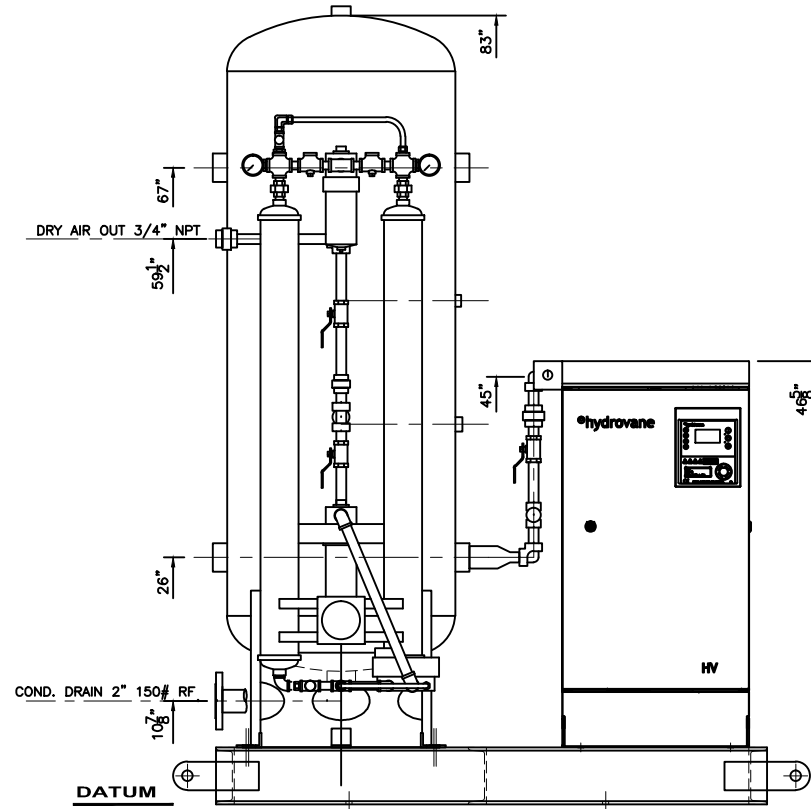
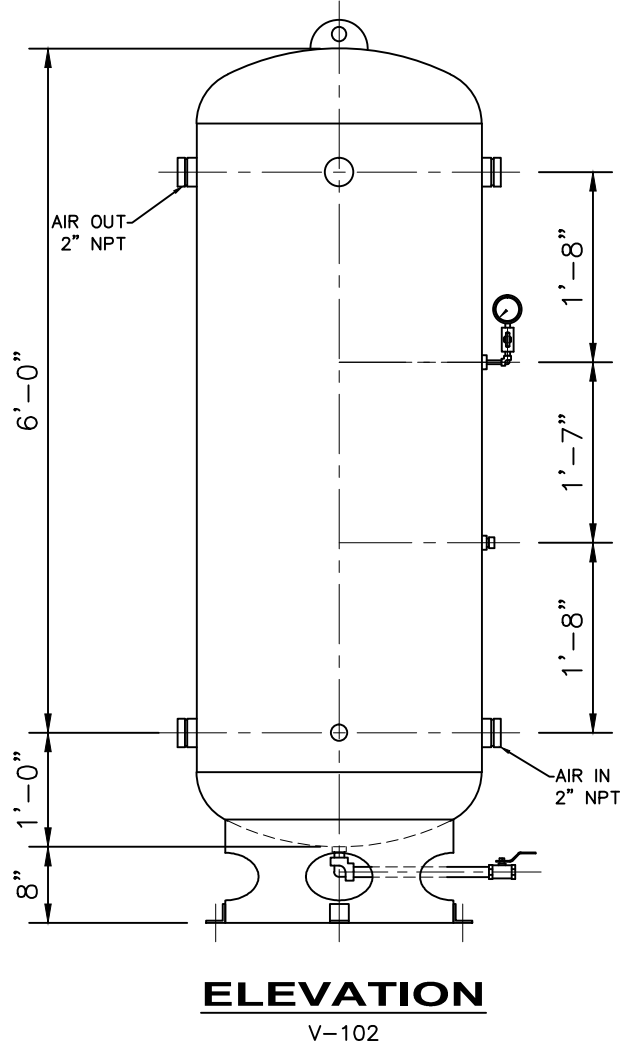
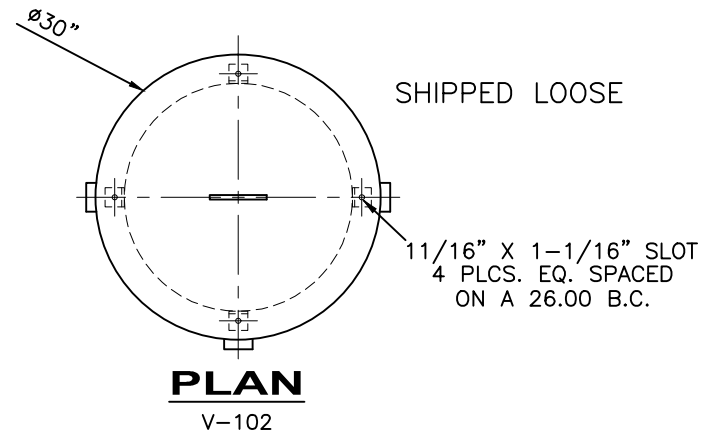


MAJOR EQUIPMENT LIST			
TAG NO.	QTY.	DESCRIPTION	LBS.
V-102	1	DRY AIR RECEIVER, 240 GAL, STEELFAB A10053 (SHIPPED LOOSE)	302



MAJOR EQUIPMENT LIST			
TAG NO.	QTY.	DESCRIPTION	LBS.
K-101	1	COMPRESSOR, COMPAIR HV05 c/w 7.5 HP MOTOR	410
		27SCFM @130 PSIG, 1800RPM, 460V/3PH/60Hz	-
D-101	1	HEATLESS AIR DRYER, AIRTEK OFC36E	140
		27 SCFM @ 100 PSIG, 115V/1PH/60 Hz	-
V-101	1	AIR RECEIVER, 120 GAL, STEELFAB A10049	275
F-101	1	PRE-FILTER, COALESCING, AIRTEK JC0050-C	5
F-102	1	AFTER FILTER, PARTICULATE, AIRTEK JC0050-F	5
NW895SK	1	STRUCTURAL SKID, C6 x 8.2 CHANNEL	324
-		PIPING & MISC.	50
(APPROX.) TOTAL WEIGHT			1208

- NOTES**
- THIS DRAWING IS NOT TO BE USED FOR CONSTRUCTION UNLESS STAMPED 'ISSUED FOR CONSTRUCTION'.
 - ALL DIMENSIONS ARE IN INCHES UNLESS OTHERWISE NOTED.
 - ALL WELDS TO BE 1/4" FILLET UNAD.
 - V-101 TO BE PAINTED AS PER NINE SPEC: (1) COAT PRIMER, (2) COATS ENAMEL WARM GREY
 - ALL PIPE SUPPORTS TO BE PAINTED AS PER NINE SPEC: (1) COAT PRIMER (2) COATS ENAMEL BLACK
 - REFER TO MISCELL FOR GENERAL PIPING NOTES.

REV	DESCRIPTION	DATE	DWN	CHK
3	AS-BUILT	11-11-22	LJ	SK
2	ISSUED FOR CONSTRUCTION	11-10-21	LJ	SK
1	REVISED AS PER CUSTOMER MARK-UPS	11-10-06	LJ	SK
0	ISSUED FOR APPROVAL	11-09-18	LJ	SK

Northwest Equipment Ltd.

GENERAL ARRANGEMENT
SIMPLEX COMPAIR HV05 INSTRUMENT AIR PACKAGE

CLIENT: HUSKY OIL OPERATIONS LTD. c/o TRIUMPH EPCM LTD. SCALE: 1:1
LOCATION: TBA TBA DWN BY: L.JOHNSTON
LSD: TBA PO# 8400362907 DATE: 11-09-15

JOB: NW895 DWG: NW895GA REV: 3