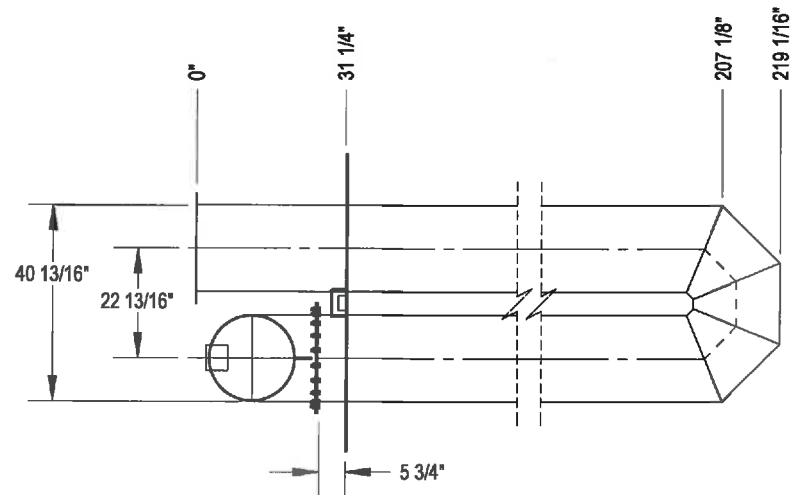
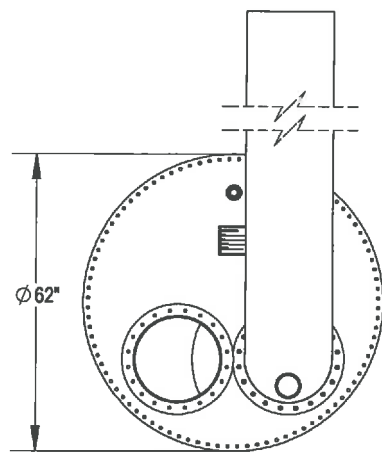


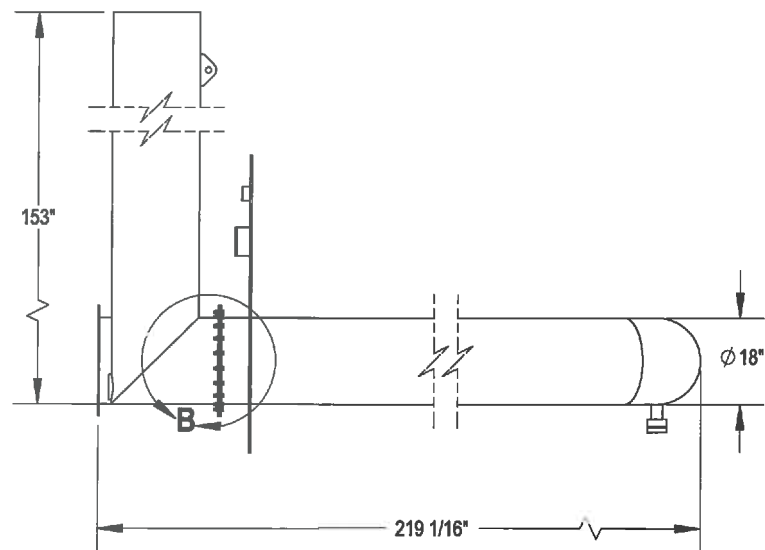
ITEM	PART #	DESCRIPTION	MTR #	Length	QTY.
1	-	18" FIRETUBE TO FIT 54" OD x 16' LINEHEATER SHELL			1
2	-	STACK - 1.5 MM BTU LINEHEATER 54" X 16' - HUSKY			1
3	BOL.51.5KY	BOLT 1/2" x 1 1/2" LG GR. 5 HEX HEAD			20
4	NUT.5YKAA	NUT 1/2" GR. 5 HEX PLATED			20



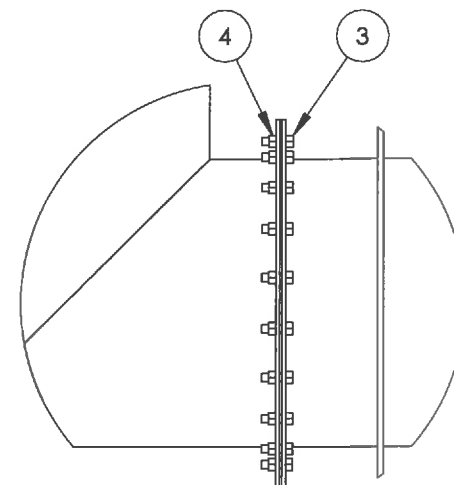
PLAN VIEW
SCALE: 1:40



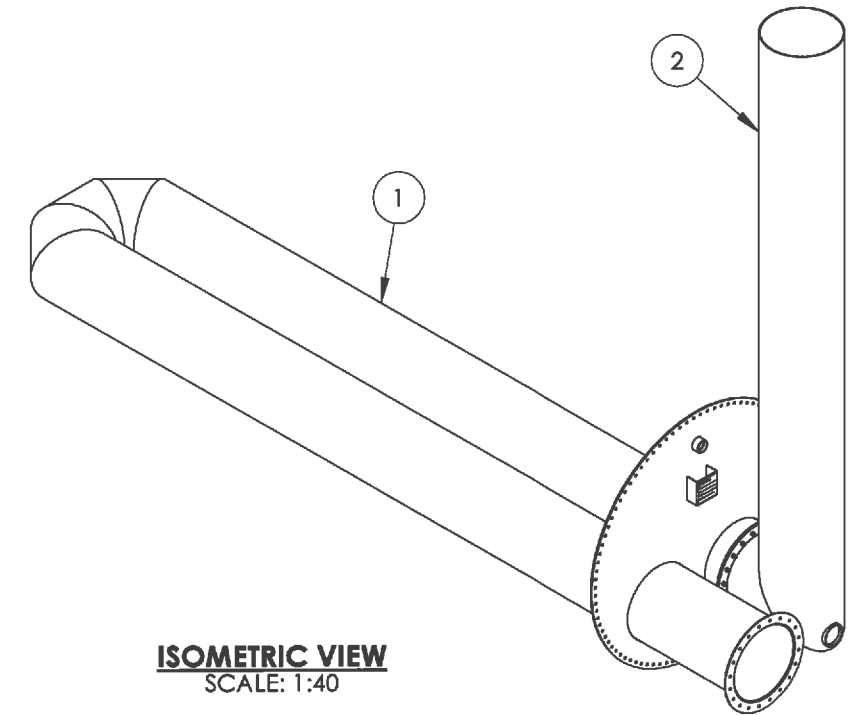
FRONT VIEW
SCALE: 1:40



RIGHT VIEW
SCALE: 1:40



DETAIL B
SCALE: 1:12



ISOMETRIC VIEW
SCALE: 1:40

ORIGINAL

NOTES

- FABRICATE TO CSA W47.1 AND W59.
- ALL DIMENSIONS TO HAVE A TOLERANCE OF $\pm 1/8$ " UNLESS OTHERWISE SPECIFIED.
- DEBURR AND RADIUS ALL SHARP EDGES.
- WELD PROCESS TO BE MCAW UNLESS OTHERWISE NOTED. WPDS-FC1-15, FC1-10.
- ALL WELDS TO BE 1/4" CONTINUOUS FILLET WELDS UNLESS OTHERWISE NOTED.
- 24 oz PNEUMATIC TEST REQUIRED.
- ITEM # 10 PIPE LENGTH TO BE VERIFIED PRIOR TO PLACEMENT OF FIRETUBE IN BATH.
- ALL BOLT HOLES STRADDLE COMMON CENTERLINE.

AS BUILT

ISSUED FOR CONSTRUCTION



P.O. BOX 6280, INNISFAIL, AB T4G 1S9
PH: (403) 227-4100 FAX: (403) 227-4102

HUSKY ENERGY
1.5 MMBTU LINE HEATER PACKAGE
54" OD X 16' LONG @LINE HEATER LH100
c/w 10"-900# HEADER AND 4" PIPE COIL
FIRETUBE AND STACK ASSEMBLY

08582-001-S-001	SKID ASSEMBLY
08582-001-B-001	BATH ASSEMBLY
08582-001-C-001	COIL ASSEMBLY
08582-1	P&ID
08582-001-G-001	GENERAL ARRANGEMENT
DOCUMENT NO.	DESCRIPTION

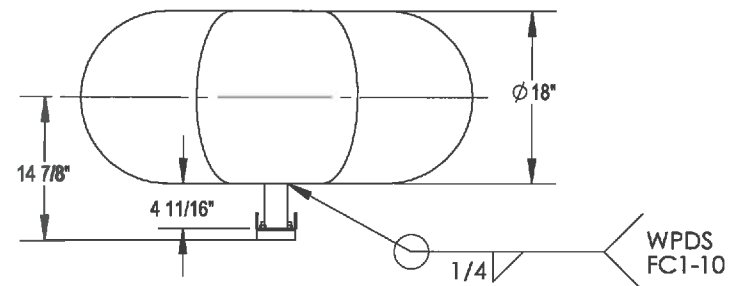
REV.	DATE	BY:	CHK:	APP:	DESCRIPTION
0	DEC 28/12	MJH	[Signature]	[Signature]	ISSUED FOR CONSTRUCTION

SIGNED: _____
DATE: _____
W.O.: _____
S/N: _____

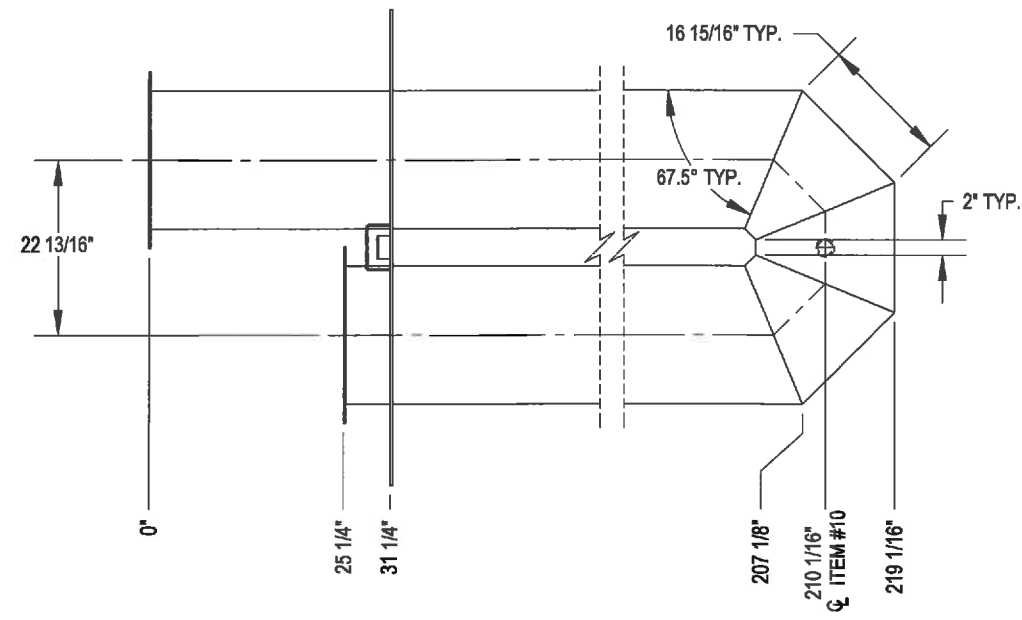
SCALE: AS NOTED
SHEET: 1 OF 4
DWG: 08582-001-F-101

DWN: MJH	CHK: [Signature]	APP: [Signature]
DATE: DEC 28/12	DATE: JAN 08 2013	DATE: JAN 08 2013
REV: 0		

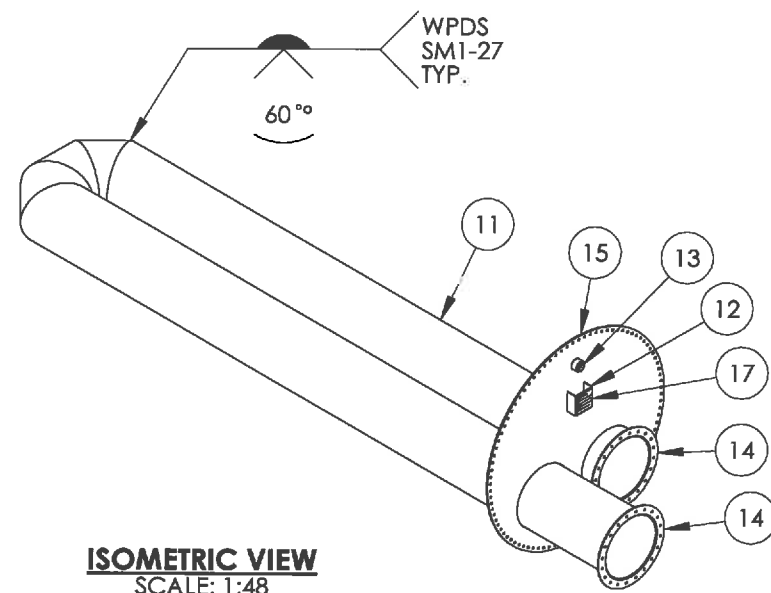
ITEM	PART #	DESCRIPTION	MTR #	LENGTH	QTY.
10	PIP280A	PIPE 2" SCH. XH/80 SA 106B		4 11/16"	1
11	PIP1810E	PIPE 18" SCH.10 SA53 ERW		439.235	1
12	BRACKET-NAME-1A	TANK/VESSEL NAME PLATE BRACKET SA36/44W			1
13	COH2GYEE	Coupling Half 2" 3M THRD SA 105N			1
14	LH-FLA-18.25	LH FIRETUBE/STACK FLANGE 18" OD 1/4" THK			2
15	LH-PLATE-FIR6220	LH END PLATE FOR 54" OD SHELL /w ø18" FIRE TUBE 3/8" THK			1
16	SLIDER-2	TANK SLIDER BLOCK ASSEMBLY			1
17	TK-NAMEPLATE-1	TANK NAMEPLATE BLACK/SILVER SW TANK			1



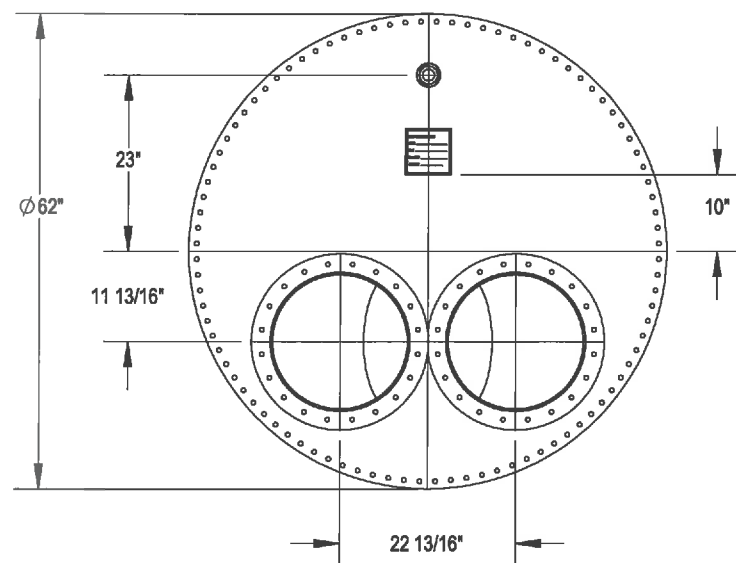
SECTION A-A
SCALE: 1:20



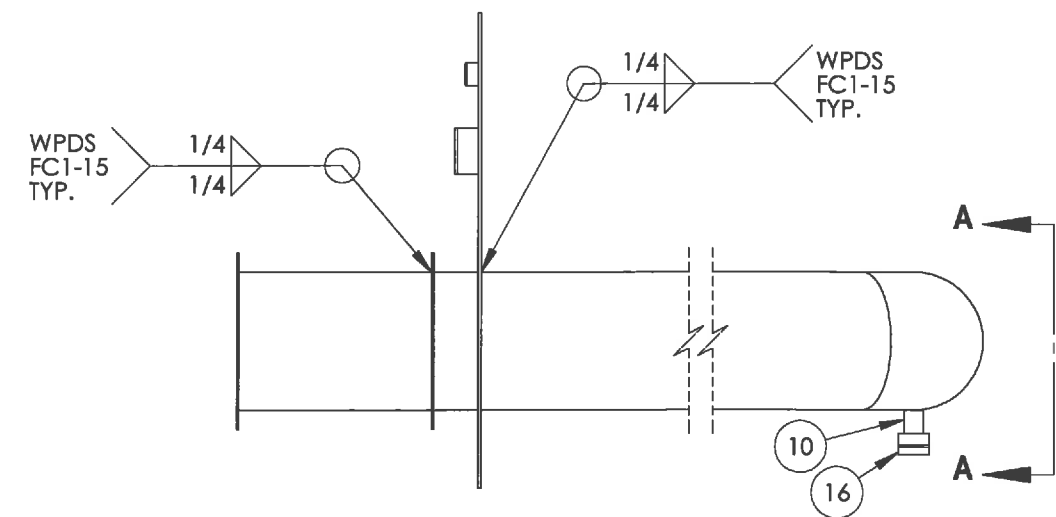
PLAN VIEW
SCALE: 1:25



ISOMETRIC VIEW
SCALE: 1:48



FRONT VIEW
SCALE: 1:25



RIGHT VIEW
SCALE: 1:25

ORIGINAL

NOTES

- FABRICATE TO CSA W47.1 AND W59.
- ALL DIMENSIONS TO HAVE A TOLERANCE OF ±1/8" UNLESS OTHERWISE SPECIFIED.
- DEBURR AND RADIUS ALL SHARP EDGES.
- WELD PROCESS TO BE MCAW UNLESS OTHERWISE NOTED. WPDS-FC1-15, FC1-10.
- ALL WELDS TO BE 1/4" CONTINUOUS FILLET WELDS UNLESS OTHERWISE NOTED.
- 24 oz PNEUMATIC TEST REQUIRED.
- ITEM #10 PIPE LENGTH TO BE VERIFIED PRIOR TO PLACEMENT OF FIRETUBE IN BATH.
- ALL BOLT HOLES STRADDLE COMMON CENTERLINE.

AS BUILT

ISSUED FOR CONSTRUCTION



HUSKY ENERGY
1.5 MMBTU LINE HEATER PACKAGE
54" OD X 16' LONG @LINE HEATER LH100
c/w 10"-900# HEADER AND 4" PIPE COIL
FIRETUBE ASSEMBLY

DOCUMENT NO.	DESCRIPTION	REV.	DATE	BY:	CHK:	APP:	DESCRIPTION
08582-001-S-001	SKID ASSEMBLY						
08582-001-B-001	BATH ASSEMBLY						
08582-001-C-001	COIL ASSEMBLY						
08582-1	P&ID						
08582-001-G-001	GENERAL ARRANGEMENT	0	DEC 28/12	MJH			ISSUED FOR CONSTRUCTION

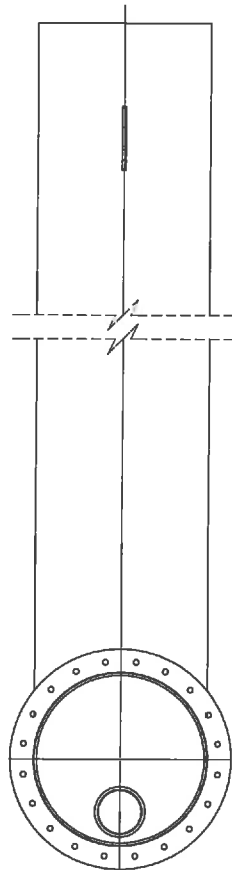
REV.	DATE	BY:	CHK:	APP:	DESCRIPTION
0	DEC 28/12	MJH			ISSUED FOR CONSTRUCTION

SIGNED: _____
DATE: _____
W.O.: _____
S/N: _____

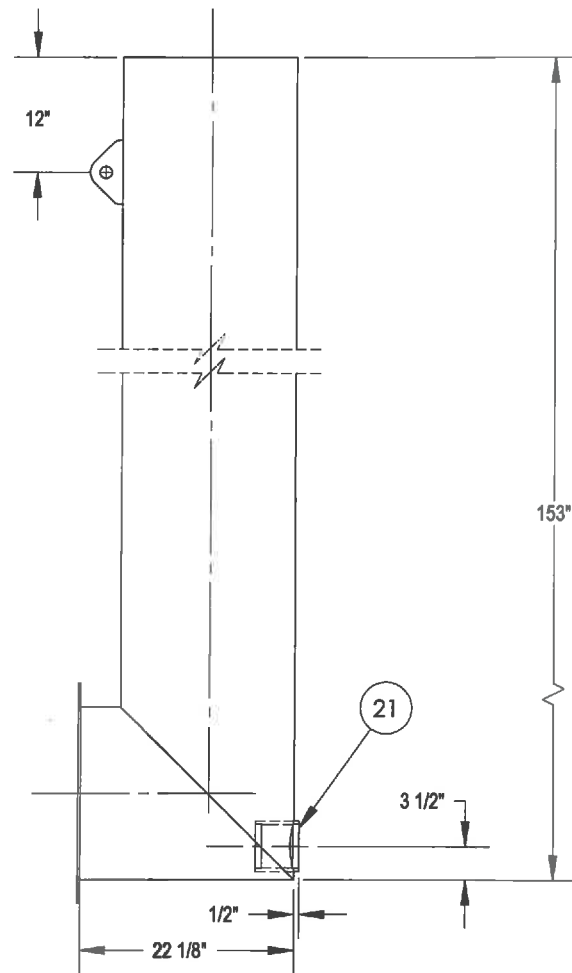
P.O. BOX 6280, INNISFAIL, AB T4G 1S9
PH: (403) 227-4100 FAX: (403) 227-4102

DWN: MJH	CHK: [Signature]	APP: [Signature]
DATE: DEC 28/12	DATE: JAN 08 2013	DATE: JAN 08 2013
SHEET: 2 OF 4	DWG: 08582-001-F-101	REV: 0

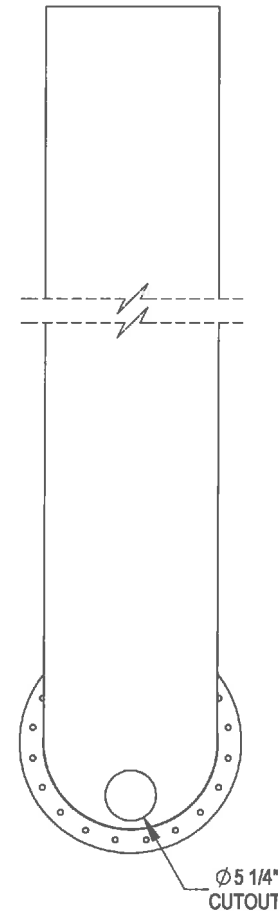
ITEM	PART #	DESCRIPTION	MTR #	LENGTH	QTY.
20	PIP1810E	PIPE 18" SCH. 10 SA53 ERW		175.125	1
21	COF4YSTDEH	COUPLING 4" STD THRD STEEL			1
22	LH-FLA-18.25	LH FIRETUBE/STACK FLANGE 18" OD 1/4" THK			1
23	LL-D63A	LIFT LUG 3/8" x 6 5/8" x 3 3/8" SA36/44W			1



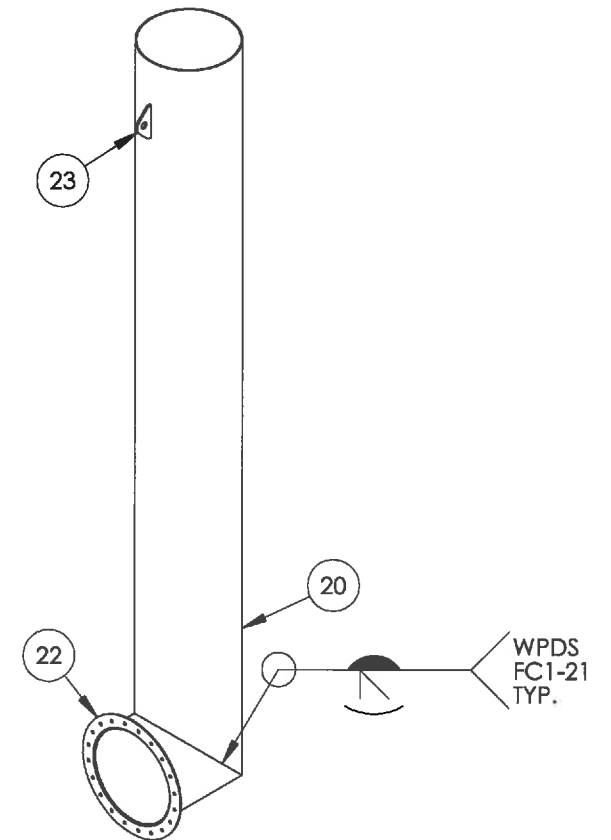
FRONT VIEW
SCALE: 1:20



RIGHT VIEW
SCALE: 1:20



REAR VIEW
SCALE: 1:20



ISOMETRIC VIEW
SCALE: 1:32

ORIGINAL

NOTES

1. FABRICATE TO CSA W47.1 AND W59.
2. ALL DIMENSIONS TO HAVE A TOLERANCE OF $\pm 1/8"$ UNLESS OTHERWISE SPECIFIED.
3. DEBURR AND RADIUS ALL SHARP EDGES.
4. WELD PROCESS TO BE MCAW UNLESS OTHERWISE NOTED. WPDS-FC1-15, FC1-10.
5. ALL WELDS TO BE 1/4" CONTINUOUS FILLET WELDS UNLESS OTHERWISE NOTED.
6. 24 OZ PNEUMATIC TEST REQUIRED.
7. ITEM #10 PIPE LENGTH TO BE VERIFIED PRIOR TO PLACEMENT OF FIRETUBE IN BATH.
8. ALL BOLT HOLES STRADDLE COMMON CENTERLINE.

AS BUILT

ISSUED FOR CONSTRUCTION



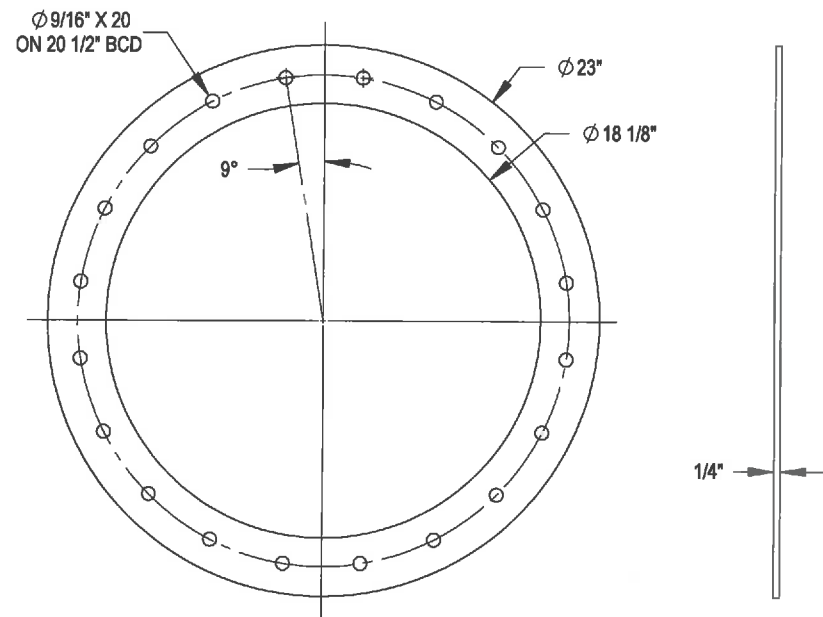
P.O. BOX 6280, INNISFAIL, AB T4G 1S9
PH: (403) 227-4100 FAX: (403) 227-4102

HUSKY ENERGY
1.5 MMBTU LINE HEATER PACKAGE
54" OD X 16' LONG @LINE HEATER LH100
c/w 10"-900# HEADER AND 4" PIPE COIL
STACK ASSEMBLY

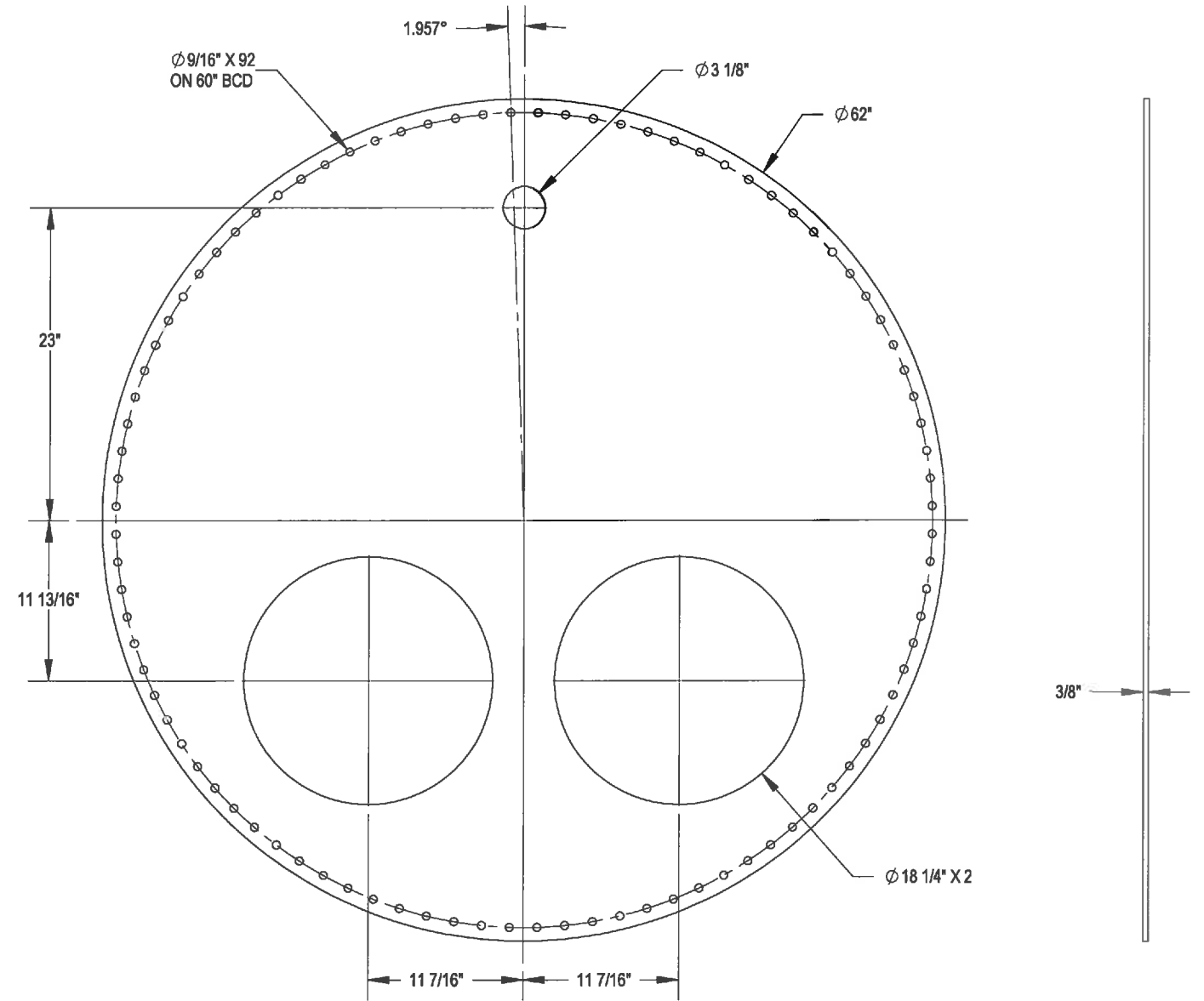
REV.	DATE	BY:	CHK:	APP:	DESCRIPTION
0	DEC 28/12	MJH	<i>[Signature]</i>	<i>[Signature]</i>	ISSUED FOR CONSTRUCTION

DOCUMENT NO.	DESCRIPTION	REV.	DATE	BY:	CHK:	APP:	DESCRIPTION
08582-001-S-001	SKID ASSEMBLY						
08582-001-B-001	BATH ASSEMBLY						
08582-001-C-001	COIL ASSEMBLY						
08582-1	P&ID						
08582-001-G-001	GENERAL ARRANGEMENT						

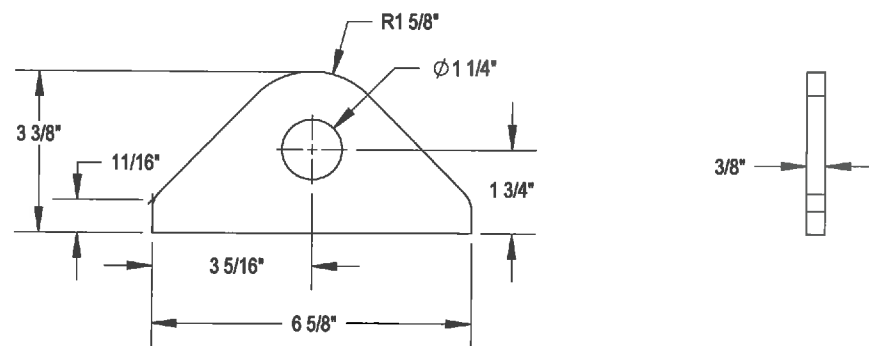
SCALE:	SHEET:	DWG:	REV:
AS NOTED	3 OF 4	08582-001-F-101	0



DETAIL ITEM #14 & ITEM #22
SCALE: 1:8



DETAIL ITEM #15
SCALE: 1:12



DETAIL ITEM #23
SCALE:

ORIGINAL

AS BUILT

ISSUED FOR CONSTRUCTION



HUSKY ENERGY
1.5 MMBTU LINE HEATER PACKAGE
54" OD X 16' LONG @LINE HEATER LH100
c/w 10"-900# HEADER AND 4" PIPE COIL
PART DETAILS

08582-001-S-001	SKID ASSEMBLY
08582-001-B-001	BATH ASSEMBLY
08582-001-C-001	COIL ASSEMBLY
08582-1	P&ID
08582-001-G-001	GENERAL ARRANGEMENT
DOCUMENT NO.	DESCRIPTION

0	DEC 28/12	MJH		ISSUED FOR CONSTRUCTION
REV.	DATE	BY:	CHK:	APP:
DRAWING REVISIONS		DESCRIPTION		

SIGNED: _____
DATE: _____
W.O.: _____
S/N: _____
ALL DIMENSIONS IN INCHES

P.O. BOX 6280, INNISFAIL, AB T4G 1S9
PH: (403) 227-4100 FAX: (403) 227-4102

DWN:	MJH	CHK:		APP:	
DATE:	DEC 28/152	DATE:	JAN 08 2013	DATE:	JAN 08 2013
SHEET:	4 OF 4	DWG:	08582-001-F-101	REV:	0