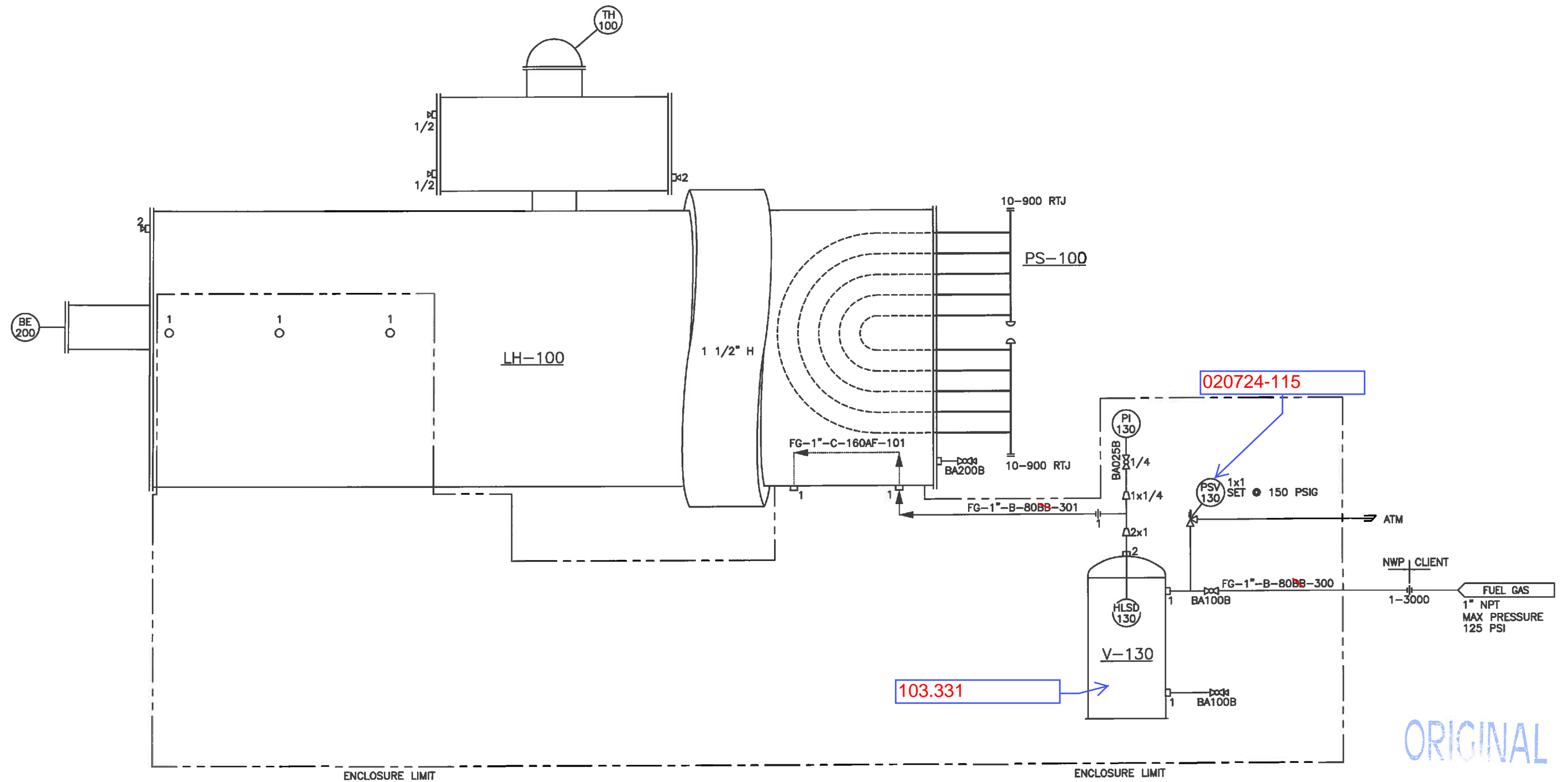


**LH-100**  
**LINE HEATER**  
 MFR: NWP INDUSTRIES  
 SIZE: 54" x 16' S/S  
 DUTY: 1,500,000 BTU/HR

**PS-100**  
**PROCESS COIL**  
 MFR: NWP INDUSTRIES  
 SIZE: 10" HEADER w/ (5) 4" COIL PASSES  
 MADP: 1480 PSIG @ 200°F  
 MDMT: -20 @ 1480 PSIG  
 CA: 1/16" XRAY: 10% PWHT: NO  
 CRN: V9651.2

**V-130**  
**FUEL GAS SCRUBBER**  
 MFR: LOTECH  
 SIZE: 10" x 32" OAL  
 MAWP: 300 PSIG @ 650°F  
 MDMT: -20°F CA: 1/8"  
 CRN: OH09036.2134



ORIGINAL

DOCUMENT NO.	DESCRIPTION	REV	DATE	BY	CHK	APP	DESCRIPTION
08582-001-C-001	BATH ASSEMBLY						
08582-001-B-001	COIL ASSEMBLY	0	JAN 14/13	EP			ISSUED FOR CONSTRUCTION
08582-001-S-001	SKID ASSEMBLY	C	DEC 17/12	EP	.	.	RE-ISSUED FOR APPROVAL
08582-001-G-001	PIPING ASSEMBLY	B	NOV 15/12	EP	.	.	RE-ISSUED FOR APPROVAL
08582	GENERAL ARRANGEMENT	A	OCT 15/12	EP	.	.	ISSUED FOR APPROVAL
REFERENCE DRAWINGS		DRAWING REVISIONS					

**ISSUED FOR CONSTRUCTION**  
 SIGNED: \_\_\_\_\_  
 DATE: \_\_\_\_\_  
 W.O.: \_\_\_\_\_  
 S/N: \_\_\_\_\_  
 ALL DIMENSIONS IN INCHES

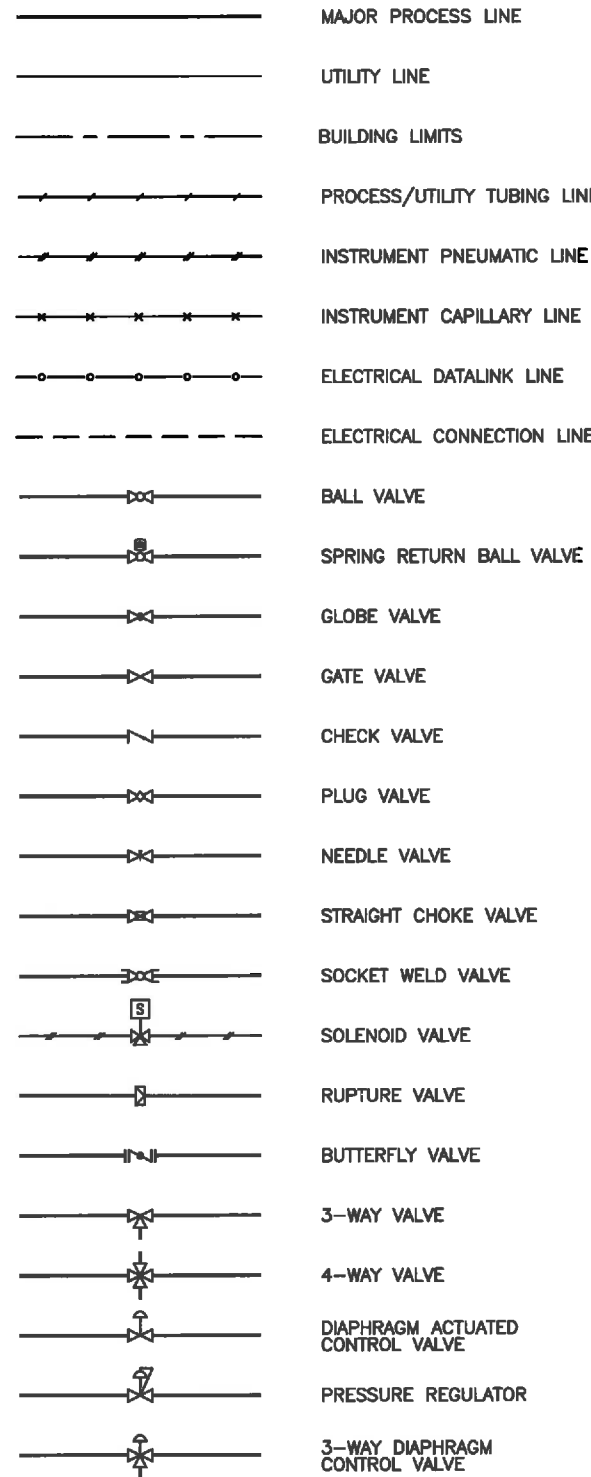
**NWP INDUSTRIES INC.**  
 Total oilfield supply.  
 P.O. BOX 6280, INNISFAIL, AB T4G 1S9  
 PH: (403) 227-4100 FAX: (403) 227-4102

HUSKY ENERGY		
1.5 MMBTU LINEHEATER PACKAGE		
54"OD x 16"LG @ LINE HEATER LH-100		
c/w 10"-900# HEADER AND 4 PIPE COIL		
PIPING AND INSTRUMENTATION DIAGRAM		
DWN: EP	CHK: [Signature]	APP:
DATE: OCT 15/12	DATE: JAN 16 2013	DATE:
SCALE: N.T.S.	DWG: 08582-1	REV: 0
SHEET: 1 OF 2		

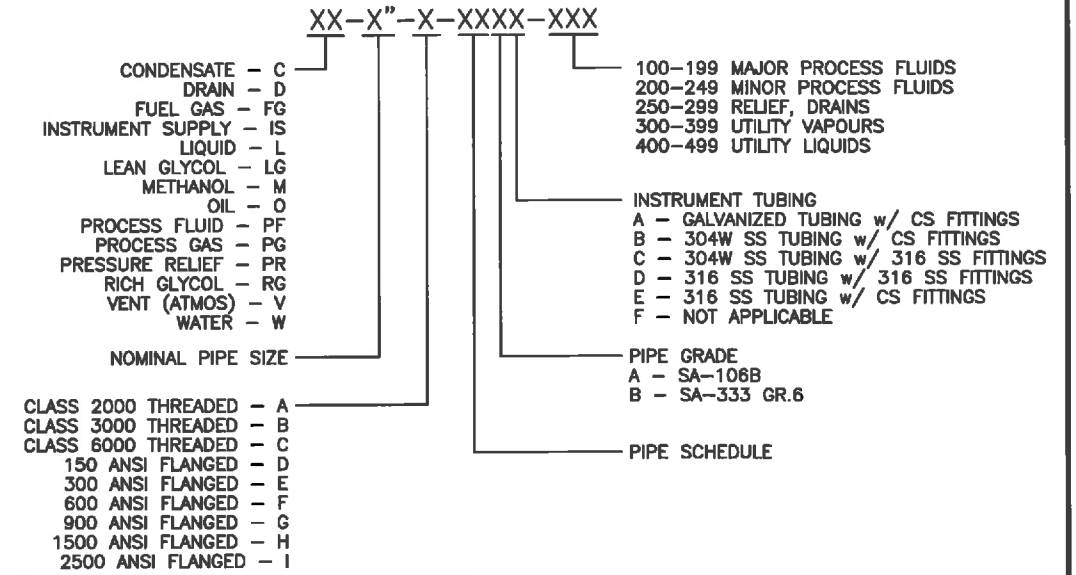
**NOTES**

1. PIPE SUPPORTS WHERE REQUIRED.
2. INSTRUMENT SUPPLY LINES TO BE TESTED AS PER ABSA AB-522
3. ALL PROCESS TUBING LINES TO BE TESTED AS PER B31.3.
4. SHIP LOOSE ITEMS TO BE BOXED AND SEALED PRIOR TO SHIPMENT.
5. PLUG ALL OUTLETS PRIOR TO SHIPMENT.
6. ALL INSTRUMENTS AND REGULATORS VENTED TO COMMON 1" VENT HEADER. MAX 3 REGULATORS OR CONTROLS TO ONE PORT. VALVE BONNETS EXEMPT.
7. TUBING 3/8" 0.035" 304SS UNLESS OTHERWISE NOTED.
8. 316SS TUBE FITTINGS AND FERRELS.

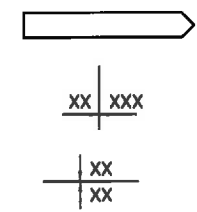
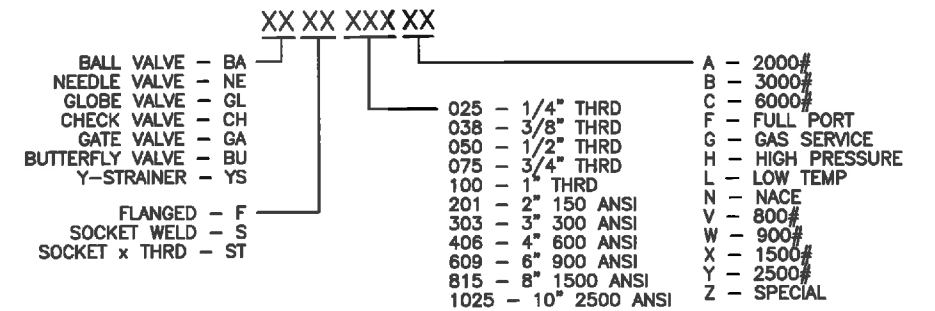
**LEGEND**



**LINE TAGGING**



**VALVE TAGGING**



PAGE CONNECTOR

SPEC/RESPONSIBTY BREAK

SPEC/RESPONSIBTY BREAK



LOCALLY MOUNTED INSTRUMENT

SHARED DISPLAY SHARED CONTROL

FIELD MOUNTED

RTU PANEL

1/G TO AND FROM

ORIGINAL

DOCUMENT NO.	DESCRIPTION	REV	DATE	BY	CHK	APP	DESCRIPTION
08582-001-C-001	BATH ASSEMBLY						
08582-001-B-001	COIL ASSEMBLY	0	JAN 14/13	EP			ISSUED FOR CONSTRUCTION
08582-001-S-001	SKID ASSEMBLY	C	DEC 17/12	EP	.	.	RE-ISSUED FOR APPROVAL
08582-001-G-001	PIPING ASSEMBLY	B	NOV 15/12	EP	.	.	RE-ISSUED FOR APPROVAL
08582	GENERAL ARRANGEMENT	A	OCT 15/12	EP	.	.	ISSUED FOR APPROVAL
REFERENCE DRAWINGS	DRAWING REVISIONS						

**ISSUED FOR CONSTRUCTION**

SIGNED: \_\_\_\_\_

DATE: \_\_\_\_\_

W.O.: \_\_\_\_\_

S/N: \_\_\_\_\_

ALL DIMENSIONS IN INCHES

**NWP INDUSTRIES INC.**  
Total oilfield supply.

P.O. BOX 6280, INNISFAIL, AB T4G 1S9  
PH: (403) 227-4100 FAX: (403) 227-4102

**HUSKY ENERGY**  
1.5 MMBTU LINEHEATER PACKAGE  
54"OD x 16"LG @ LINE HEATER  
c/w 10"-900# HEADER AND 4 PIPE COIL  
PIPING AND INSTRUMENTATION DIAGRAM

DWN: EP	CHK:	APP:
DATE: OCT 15/12	DATE: JAN 16 2013	DATE:
SCALE: N.T.S.	DWG: 08582-1	REV: 0
SHEET: 2 OF 2		