

**HEAT MEDIUM VOLUME  
APPROX. 5000 LITERS**

SHIPPING DATA	
OVERALL HEIGHT	106 3/4"
OVERALL LENGTH	288"
OVERALL WIDTH	96"
APPROX. WEIGHT	11,000 lbs.

**PLAN VIEW**  
SCALE: 1:24

**ORIGINAL**

DOCUMENT NO.	DESCRIPTION
08582-001-F-101	FIRETUBE AND STACK
08582-001-B-001	BATH ASSEMBLY
08582-001-S-001	SKID
08582-001-C-001	COIL ASSEMBLY
08582-1	P&ID

REV.	DATE	BY:	CHK:	APP:	DESCRIPTION
0	JAN 11/13	MJH	<i>[Signature]</i>	<i>[Signature]</i>	ISSUED FOR CONSTRUCTION
A	DEC 14/12	MJH			ISSUED FOR APPROVAL

**ISSUED FOR CONSTRUCTION**

SIGNED: \_\_\_\_\_

DATE: \_\_\_\_\_

W.O.: \_\_\_\_\_

S/N: \_\_\_\_\_

ALL DIMENSIONS IN INCHES

**NWP**  
INDUSTRIES INC.  
Total oilfield supply.

P.O. BOX 6280, INNISFAIL, AB T4G 1S9  
PH: (403) 227-4100 FAX: (403) 227-4102

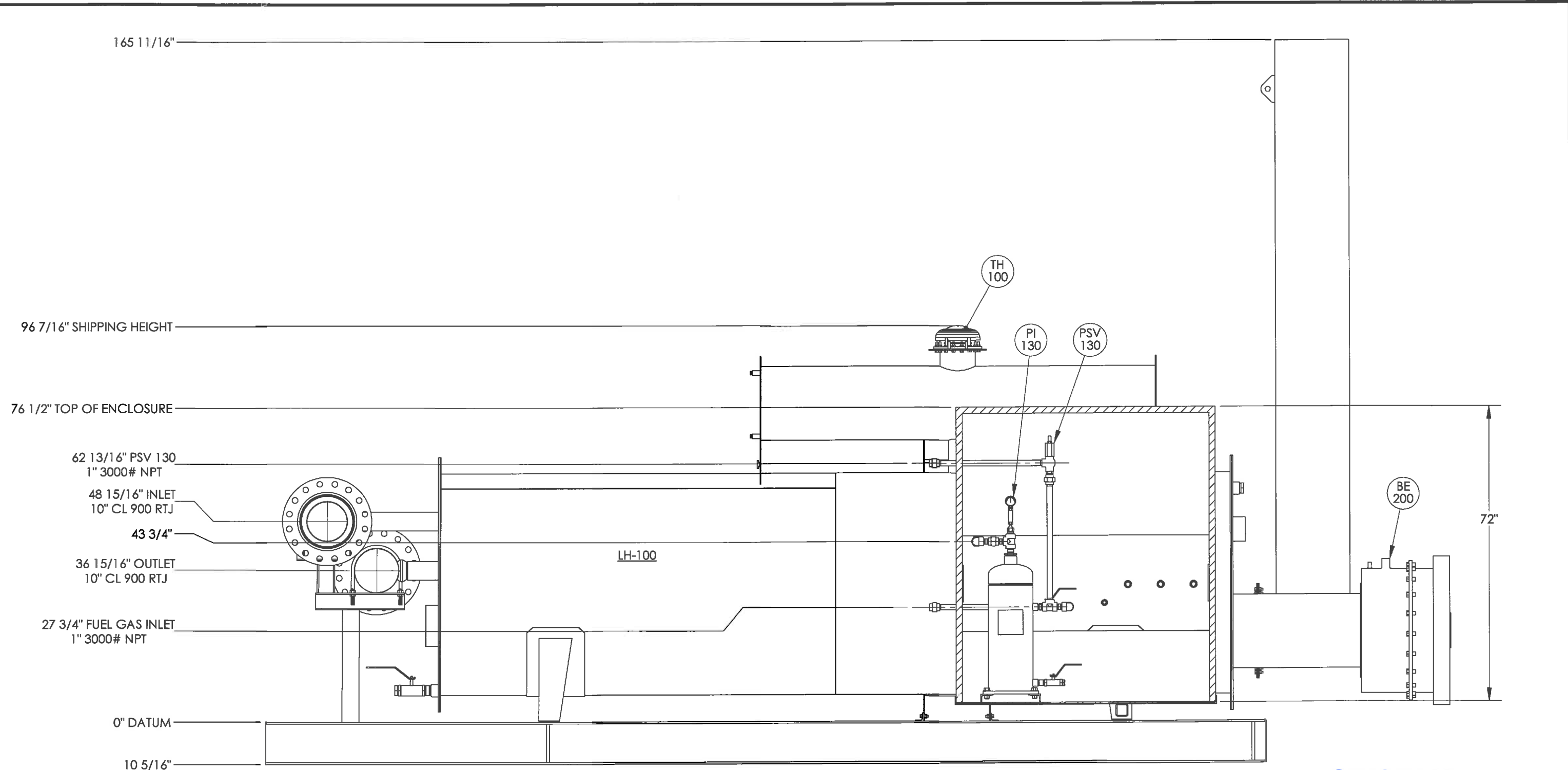
SCALE: AS NOTED

HUSKY ENERGY  
1.5 MM BTU LINEHEATER PACKAGE  
54" OD X 16' LG LH-100  
c/w 10"-900# HEADER AND 4" PIPE COIL  
GENERAL ARRANGEMENT

DWN: MJH    CHK: *[Signature]*    APP: *[Signature]*




DATE: DEC 14/12    DATE: **JAN 16 2013**    DATE: **JAN 16 2013**

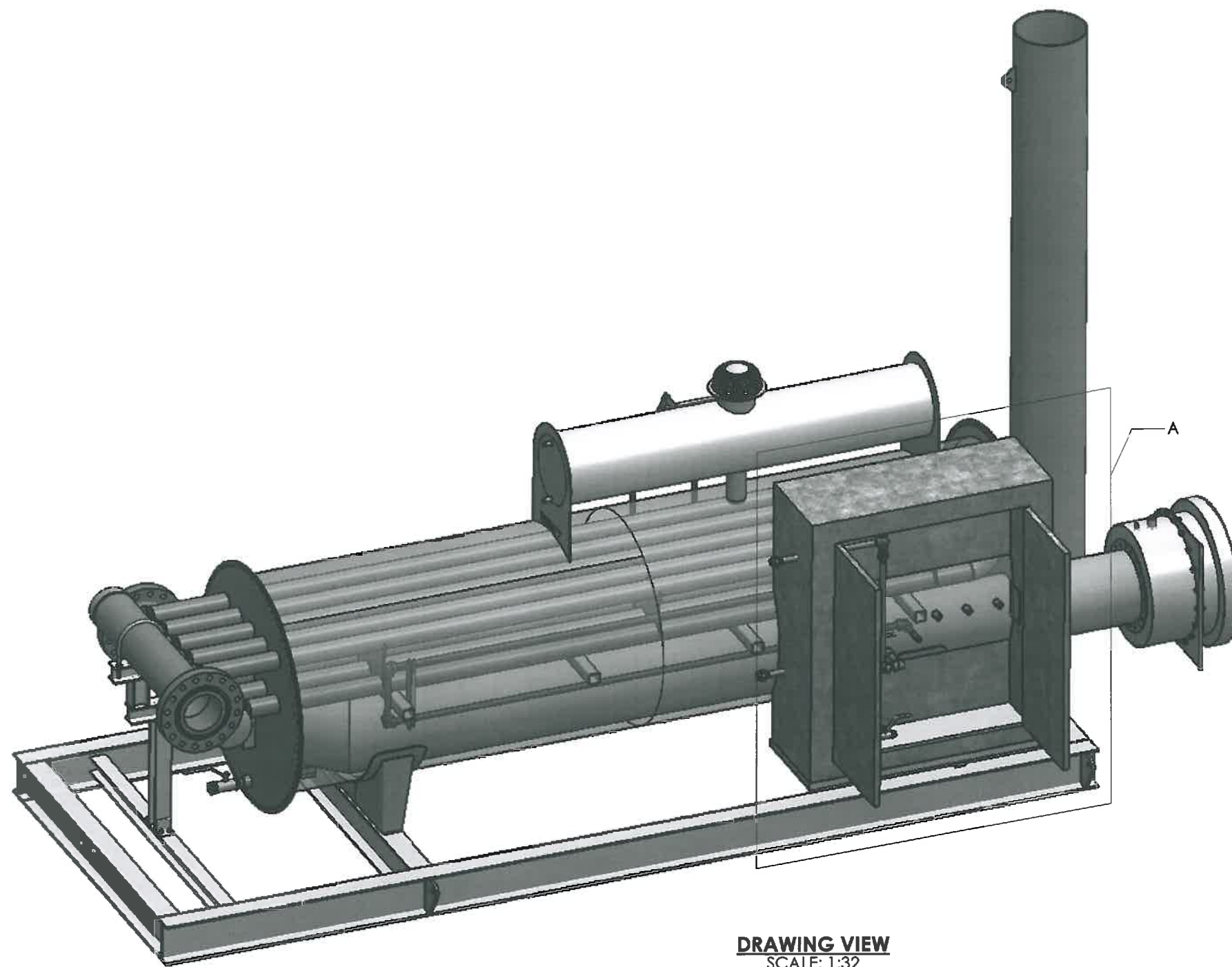
SHEET: 1 OF 3    DWG: 08582-001-G-001    REV: 0



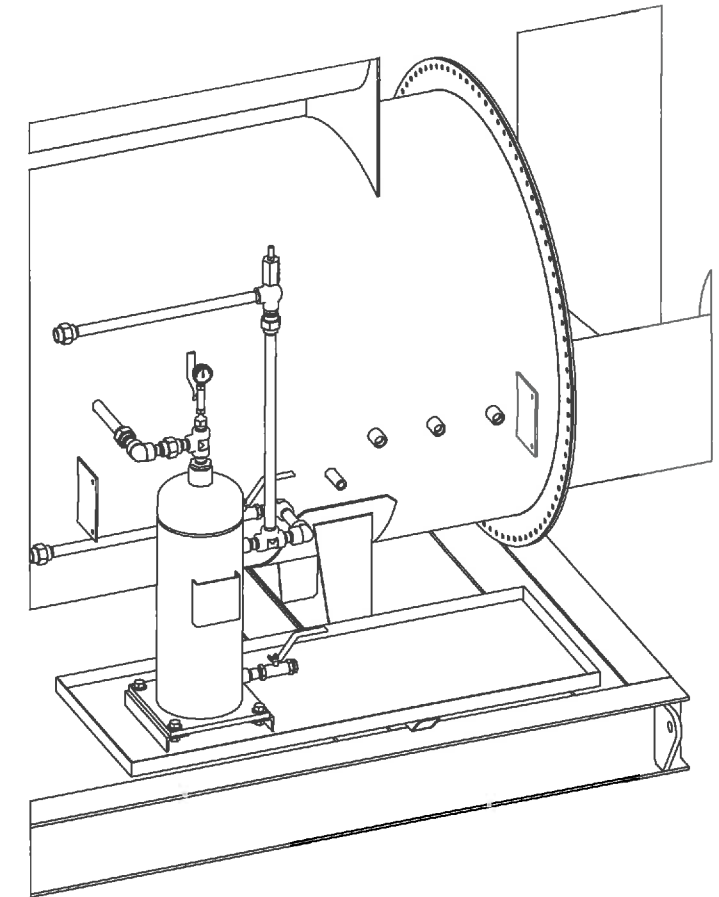
**FRONT VIEW**  
SCALE: 1:24

ORIGINAL

08582-001-F-101		FIRETUBE AND STACK						ISSUED FOR CONSTRUCTION		 <b>NWP</b> INDUSTRIES INC. Total oilfield supply.		HUSKY ENERGY 1.5 MM BTU LINEHEATER PACKAGE 54" OD X 16' LG LH-100 c/w 10"-900# HEADER AND 4" PIPE COIL GENERAL ARRANGEMENT							
08582-001-B-001		BATH ASSEMBLY														SIGNED: _____		DATE: _____	
08582-001-S-001		SKID														W.O.: _____		S/N: _____	
08582-001-C-001		COIL ASSEMBLY				0	JAN 11/13	MJH		ISSUED FOR CONSTRUCTION									
08582-1		P&ID				A	DEC 14/12	MJH		ISSUED FOR APPROVAL									
DOCUMENT NO.	DESCRIPTION	REV.	DATE	BY:	CHK:	APP:	DESCRIPTION				SCALE:	SHEET:	DWG:	REV:					
REFERENCE DRAWINGS		DRAWING REVISIONS				ALL DIMENSIONS IN INCHES				AS NOTED	2 OF 3	08582-001-G-001	0						






**DRAWING VIEW**  
SCALE: 1:32



**DETAIL A**  
SCALE: 1:24  
ENCLOSURE HIDDEN  
FOR CLARITY

ORIGINAL

08582-001-F-101		FIRETUBE AND STACK						ISSUED FOR CONSTRUCTION	 <b>NWP</b> INDUSTRIES INC. Total oilfield supply.	HUSKY ENERGY			
08582-001-B-001		BATH ASSEMBLY								1.5 MM BTU LINEHEATER PACKAGE			
08582-001-S-001		SKID								54" OD X 16' LG LH-100			
08582-001-C-001		COIL ASSEMBLY		0	JAN 11/13	MJH		ISSUED FOR CONSTRUCTION	P.O. BOX 6280, INNISFAIL, AB T4G 1S9		DWN: MJH	CHK: 	APP:
08582-1		P&ID		A	DEC 14/12	MJH		ISSUED FOR APPROVAL	PH: (403) 227-4100 FAX: (403) 227-4102		DATE: DEC 14/12	DATE: JAN 16 2013	DATE:
DOCUMENT NO.	DESCRIPTION	REV.	DATE	BY:	CHK:	APP:	DESCRIPTION	S/N:	SCALE:	SHEET:	DWG:	REV:	
REFERENCE DRAWINGS		DRAWING REVISIONS						ALL DIMENSIONS IN INCHES		AS NOTED	3 OF 3	08582-001-G-001	0