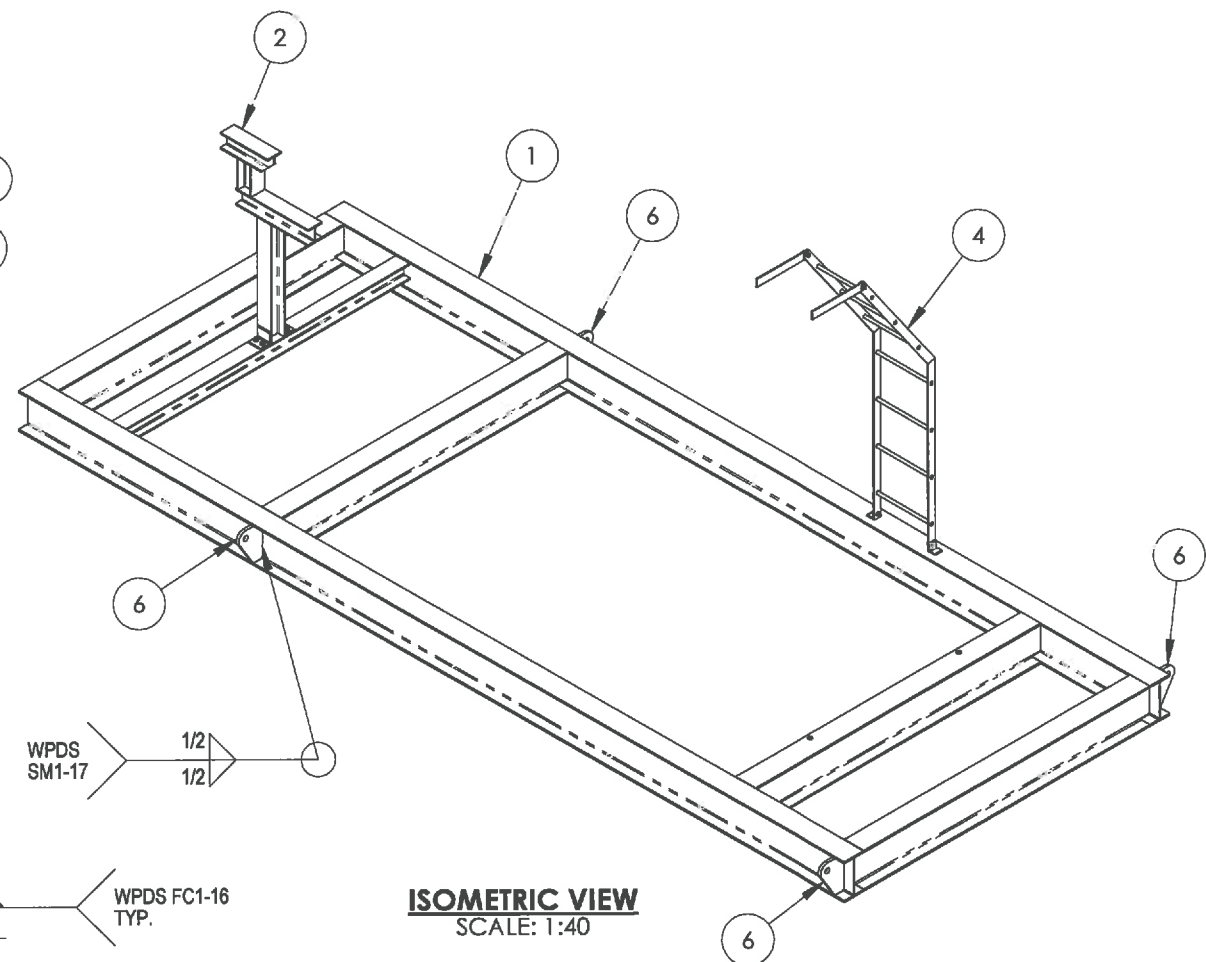


ITEM	PART #	DESCRIPTION	MTR #	LENGTH	QTY.
1	-	SEE SKID CUTLIST		-	1
2	-	SEE COIL SUPPORT CUTLIST		-	1
3	BOL.51.5KY	BOLT 1/2" x 1 1/2" LG GR. 5 HEX HEAD			8
4	LH-LAD-54	LH LADDER TO FIT 54" OD BATH			1
5	NUT.5YKAA	NUT 1/2" GR. 5 HEX PLATED			8
6	PLAFYA	LIFT LUG PLATE 3/4" x 9 7/16" x 7" SA36/44W			4
7	WAS.5YKYA	FLAT WASHER 1/2" GR. 5 PLATED			16



ORIGINAL

NOTES

1. FABRICATE TO CSA W47.1 AND W59.
2. ALL DIMENSIONS SHALL HAVE A TOLERANCE OF $\pm 1/8"$ UNLESS OTHERWISE SPECIFIED.
3. COPE STRUCTURAL MEMBERS AS REQUIRED.
4. RADIUS ALL SHARP EDGES.
5. ALL WELDS TO BE 1/4" CONTINUOUS FILLET WELDS UNLESS OTHERWISE NOTED.
6. SHOP TO VERIFY ALL I-BEAM CUT LENGTHS PRIOR TO SECTIONING BEAMS.
7. WELD PROCESS TO BE MCAW UNLESS OTHERWISE NOTED. WPDS FC1-15 AND FC1-10.
8. MPI ON LIFT LUGS REQUIRED.

AS BUILT

ISSUED FOR CONSTRUCTION

SIGNED: _____
DATE: _____
W.O.: _____
S/N: _____



P.O. BOX 6280, INNISFAIL, AB T4G 1S9
PH: (403) 227-4100 FAX: (403) 227-4102

HUSKY ENERGY
1.5 MMBTU LINE HEATER PACKAGE
54" OD X 16" LG @ LINE HEATER LH100
c/w 10"-900# HEADER AND 4" PIPE COIL
SKID ASSEMBLY

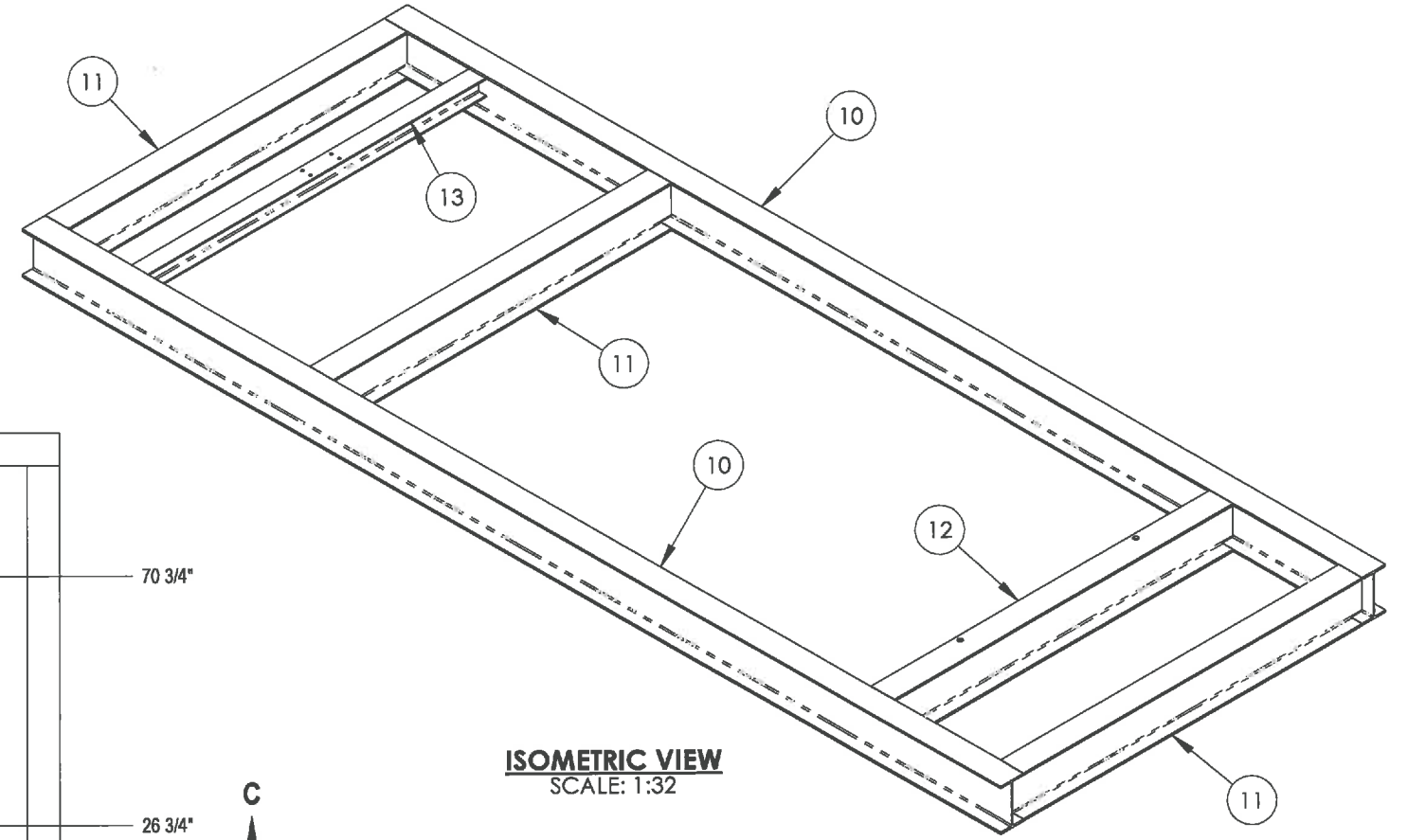
DWN: MJH CHK: [Signature] APP: [Signature]
DATE: DEC 20/12 DATE: DEC 21 2012 DATE: DEC 21 2012

REV.	DATE	BY:	CHK:	APP:	DESCRIPTION
0	DEC 20/12	MJH	[Signature]	[Signature]	ISSUED FOR CONSTRUCTION

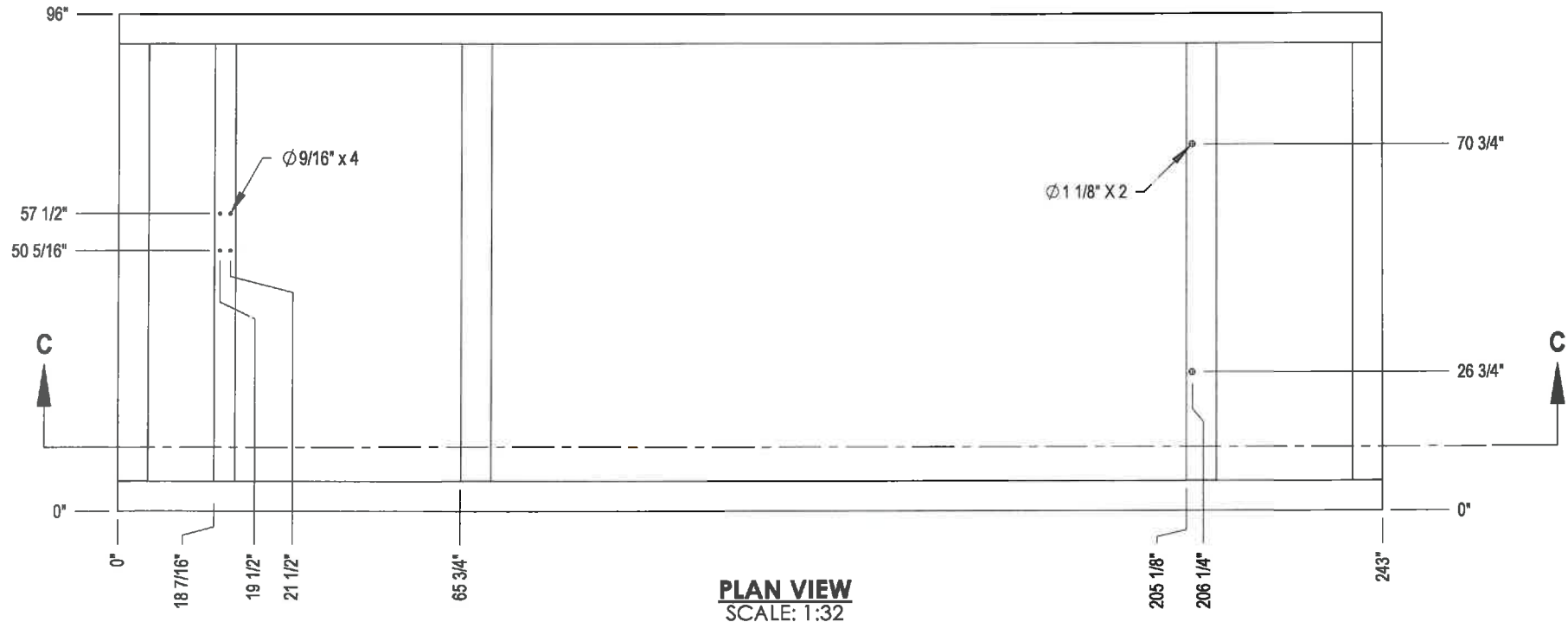
REFERENCE DRAWINGS: _____ DRAWING REVISIONS: _____ ALL DIMENSIONS IN INCHES

SCALE:	SHEET:	DWG:	REV.:
AS NOTED	1 OF 4	08582-001-S-001	0

ITEM	PART #	DESCRIPTION	Length/Thk PL	QTY.
10	WFL1022	WIDE FLANGE 10" @ 22# 350W/ASTM A992	243"	2
11	WFL1022	WIDE FLANGE 10" @ 22# 350W/ASTM A992	89 7/8"	3
12	WFL1022	WIDE FLANGE 10" @ 22# 350W/ASTM A992	89 7/8"	1
13	WFL413R	WIDE FLANGE 4" @ 13# 350W/ASTM A992	90"	1



ISOMETRIC VIEW
SCALE: 1:32



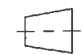


PLAN VIEW
SCALE: 1:32

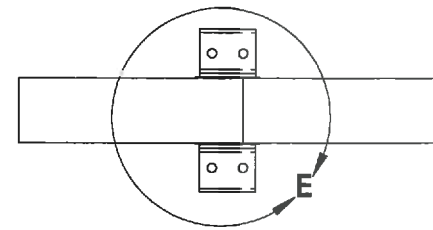


SECTION C-C
SCALE: 1:32

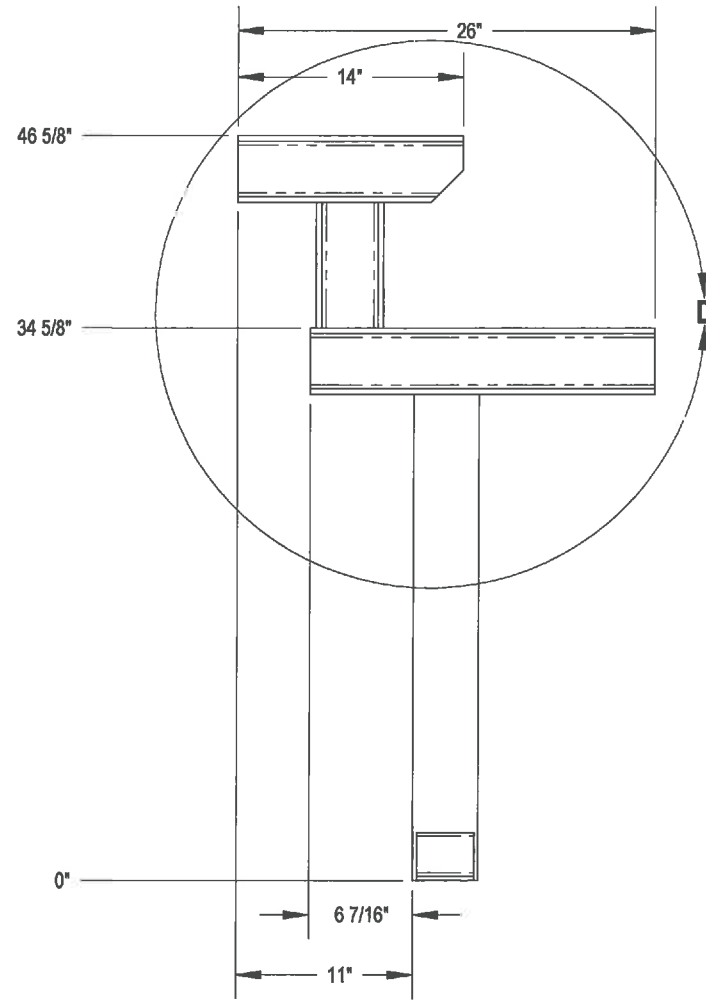
ORIGINAL

		AS BUILT				ISSUED FOR CONSTRUCTION		 NWP INDUSTRIES INC. Total oilfield supply.		HUSKY ENERGY 1.5 MMBTU LINE HEATER PACKAGE 54" OD X 16" LG @ LINE HEATER LH100 c/w 10"-900# HEADER AND 4" PIPE COIL SKID WELDMENT					
08582-001-B-101	BATH ASSEMBLY					SIGNED: _____		P.O. BOX 6280, INNISFAIL, AB T4G 1S9 PH: (403) 227-4100 FAX: (403) 227-4102		DWN: MJH		CHK: <i>[Signature]</i>		APP: <i>[Signature]</i>	
08582-001-C-001	COIL ASSEMBLY					DATE: _____				DATE: DEC 20/12		DATE: DEC 21 2012		DATE: DEC 21 2012	
08582-001-F-101	FIRETUBE AND STACK					W.O.: _____		SCALE: AS NOTED		SHEET: 2 OF 4		DWG: 08582-001-S-001		REV: 0	
08582-1	P&ID					S/N: _____				 					
08582-001-G-001	GENERAL ARRANGEMENT	0	DEC 20/12	MJH	<i>[Signature]</i>	ISSUED FOR CONSTRUCTION									
DOCUMENT NO.	DESCRIPTION	REV.	DATE	BY:	CHK:	APP:	DESCRIPTION								
REFERENCE DRAWINGS		DRAWING REVISIONS				ALL DIMENSIONS IN INCHES									

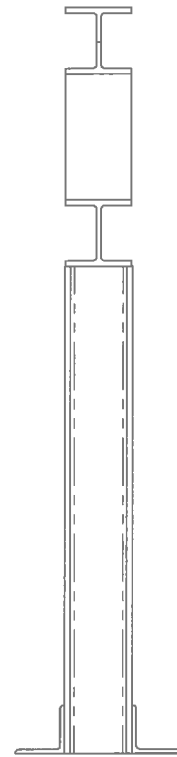
ITEM	PART #	DESCRIPTION	Length/Thk PL	QTY.
20	ANGC33A	ANGLE IRON 1/4" x 3" x 3" 300W	3 9/16"	2
21	WFL413R	WIDE FLANGE 4" @ 13# 350W/ASTM A992	21 7/16"	1
22	WFL413R	WIDE FLANGE 4" @ 13# 350W/ASTM A992	14"	1
23	WFL413R	WIDE FLANGE 4" @ 13# 350W/ASTM A992	7 7/8"	1
24	WFL413R	WIDE FLANGE 4" @ 13# 350W/ASTM A992	30 7/16"	1



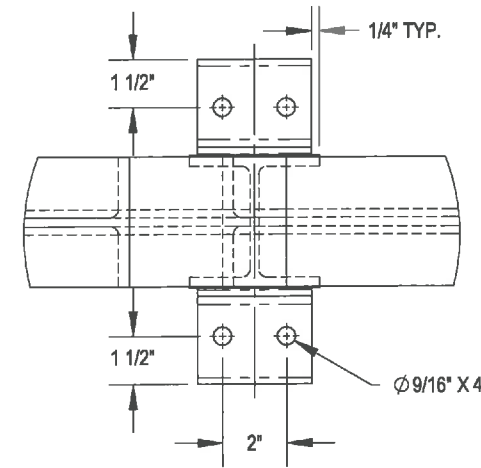
PLAN VIEW
SCALE: 1:12



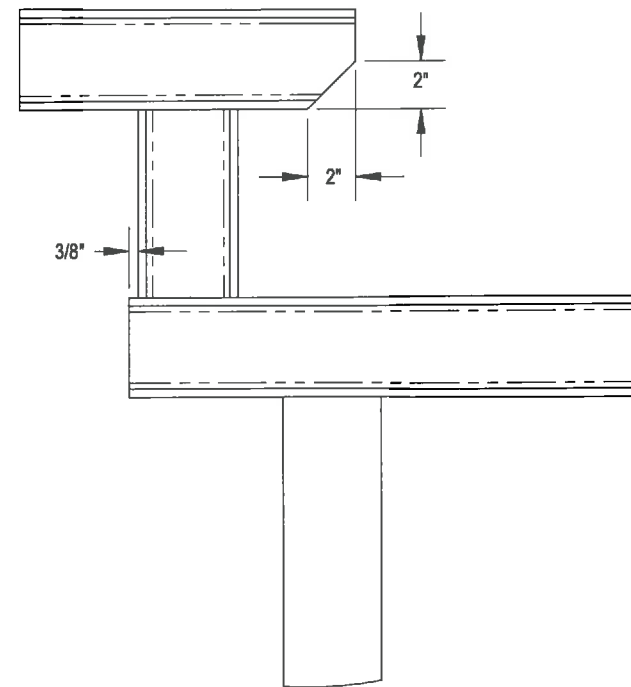
FRONT VIEW
SCALE: 1:12



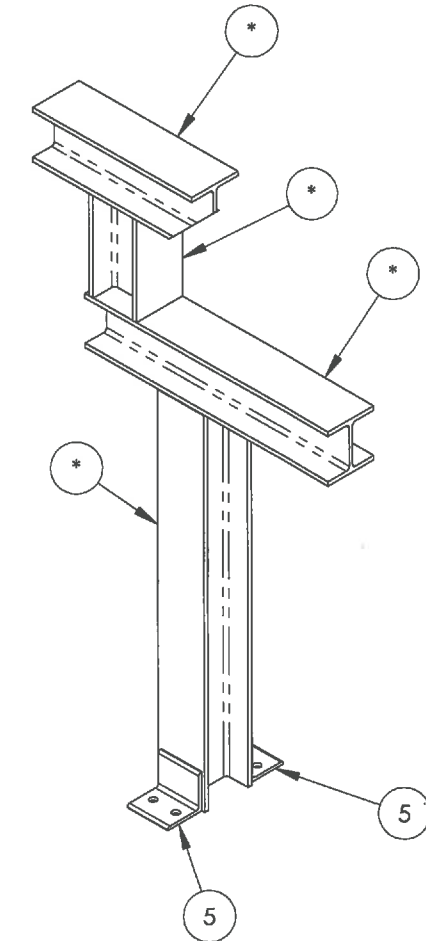
RIGHT VIEW
SCALE: 1:12



DETAIL E
SCALE: 1:6



DETAIL D
SCALE: 1:8



ISOMETRIC VIEW
SCALE: 1:12

ORIGINAL

AS BUILT

ISSUED FOR CONSTRUCTION



HUSKY ENERGY
1.5 MMBTU LINE HEATER PACKAGE
54" OD X 16" LG @ LINE HEATER LH100
c/w 10"-900# HEADER AND 4" PIPE COIL
COIL SUPPORT ASSEMBLY

08582-001-B-101	BATH ASSEMBLY
08582-001-C-001	COIL ASSEMBLY
08582-001-F-101	FIRETUBE AND STACK
08582-1	P&ID
08582-001-G-001	GENERAL ARRANGEMENT
DOCUMENT NO.	DESCRIPTION

REV.	DATE	BY:	CHK:	APP:	DESCRIPTION
0	DEC 20/12	MJH	[Signature]	[Signature]	ISSUED FOR CONSTRUCTION

SIGNED: _____
DATE: _____
W.O.: _____
S/N: _____

P.O. BOX 6280, INNISFAIL, AB T4G 1S9
PH: (403) 227-4100 FAX: (403) 227-4102

SCALE: AS NOTED

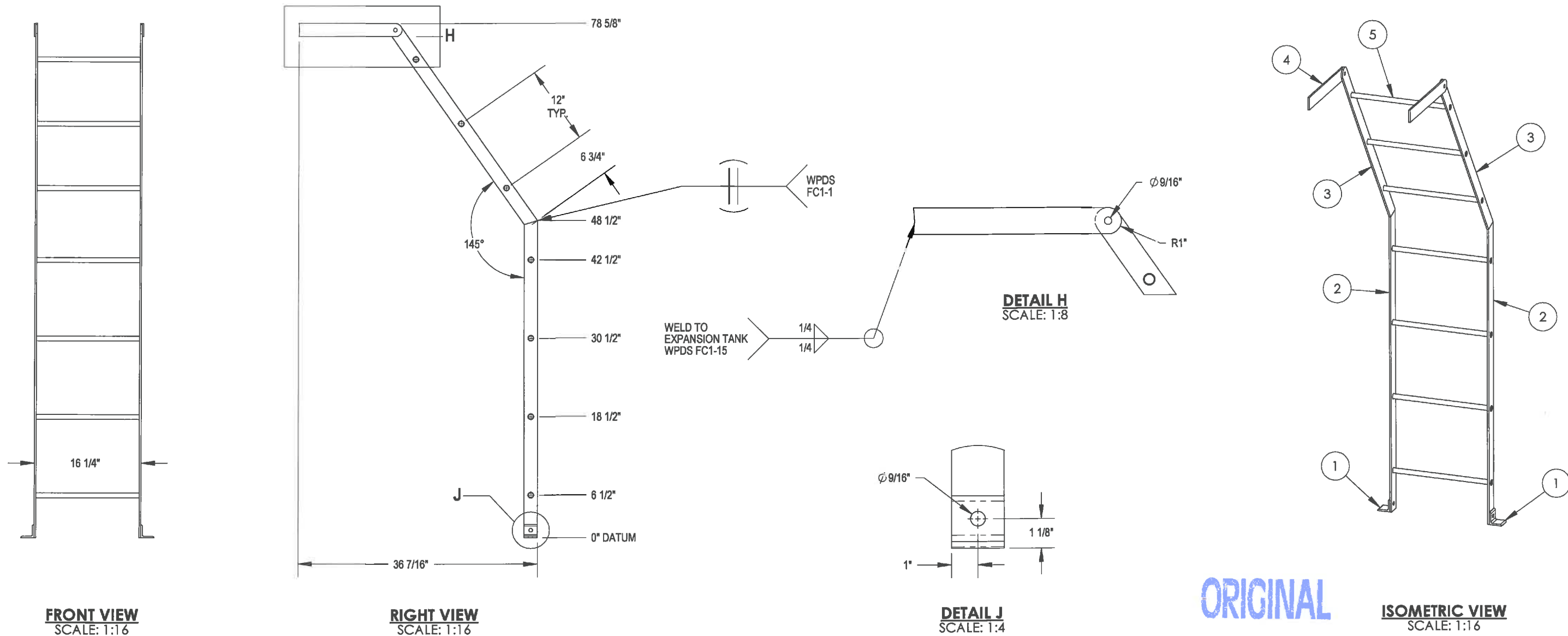
DWN: MJH
DATE: DEC 20/12

CHK: [Signature]
DATE: DEC 21 2012

APP: [Signature]
DATE: DEC 21 2012

SHEET: 3 OF 4
DWG: 08582-001-S-001
REV: 0

ITEM	PART #	DESCRIPTION	Length/Thk PL	QTY.
1	ANGC22A	ANGLE IRON 1/4" x 2" x 2" SA36/44W	2"	2
2	FLBC2A	FLAT BAR 1/4" x 2" SA36/44W	48 1/2"	2
3	FLBC2A	FLAT BAR 1/4" x 2" SA36/44W	37 1/4"	2
4	FLTC2A	FLAT BAR 1/4" x 2" SA36/44W	15 13/16"	2
5	RBRGYA	ROUND BAR 3/4" SA36/44W	16"	7



ORIGINAL

- NOTES**
- FABRICATE TO W47.1 AND W59.
 - ALL WELDS TO BE 1/4" CONTINUOUS FILLET WELDS UNLESS OTHERWISE SPECIFIED.
 - DEBURR AND RADIUS ALL SHARP EDGES.
 - ALL DIMENSIONS TO HAVE A TOLERANCE OF ± 1/8" UNLESS OTHERWISE NOTED.
 - WELD PROCESS TO BE MCAW UNLESS OTHERWISE NOTED.
WPDS FC1-10, FC1-15.

08582-001-B-101 BATH ASSEMBLY		AS BUILT				ISSUED FOR CONSTRUCTION		NWP INDUSTRIES INC. Total oilfield supply.		HUSKY ENERGY 1.5 MMBTU LINE HEATER PACKAGE 54" OD X 16" LG @ LINE HEATER LH100 c/w 10"-900# HEADER AND 4" PIPE COIL LADDER DETAILS			
08582-001-C-001 COIL ASSEMBLY													
08582-001-F-101 FIRETUBE AND STACK													
08582-1 P&ID													
08582-001-G-001 GENERAL ARRANGEMENT		0	DEC 20/12	MJH	<i>[Signature]</i>	ISSUED FOR CONSTRUCTION	SIGNED: _____ DATE: _____ W.O.: _____ S.O.: _____		P.O. BOX 6280, INNISFAIL, AB T4G 1S9 PH: (403) 227-4100 FAX: (403) 227-4102		DWN: MJH CHK: <i>[Signature]</i> APP: <i>[Signature]</i> DATE: DEC 20/12 DATE: DEC 21 2012 DATE: DEC 21 2012		
DOCUMENT NO.	DESCRIPTION	REV.	DATE	BY:	CHK:	APP:	DESCRIPTION	SCALE: AS NOTED		SHEET: 4 OF 4	DWG: 08582-001-S-001	REV: 0	
REFERENCE DRAWINGS		DRAWING REVISIONS					ALL DIMENSIONS IN INCHES						