

Eg# 66074154

N# 6079405
SB

WO# 6082715

FACILITY	Ansell Field	DATE	May 7, 2008	REPORT #	IR080507JNE
----------	--------------	------	-------------	----------	-------------

VESSEL STATIC DATA

Prov. Insp. #	A 0449856	CRN	P7217.2	Equip Tag #	
Equipment Location (LSD)	06-23-050-19 W5M			Serial #	7141
Equipment Description	Vertical Separator			Vessel Class	-
Manufacturer	RJV Gas Field Services			Year Built	2002
MAWP	1480 psi	KPag / psig	@ 100°F	MDMT	-20°F
CODE : UM	<input type="checkbox"/>	U	<input checked="" type="checkbox"/>	U2	<input type="checkbox"/>
RT :	1	<input type="checkbox"/>	2	<input checked="" type="checkbox"/>	3
	<input type="checkbox"/>	4	<input type="checkbox"/>		
Diameter	16" <i>406mm</i>	Length	(S/S) 2285mm	OAL	mm/in
Shell Mat'l	SA106-B	Thickness	21.44mm	mm	Corr Allowance
Head Mat'l	SA516-70	Thickness	20.63mm	mm	Corr Allowance
Nozzle Mat'l		Thickness		mm/in	Corr Allowance
Internal Coating :	YES <input type="checkbox"/> NO <input checked="" type="checkbox"/>	Internal Clad :	YES <input type="checkbox"/> NO <input checked="" type="checkbox"/>	Capacity	N/A m ³
Manway :	YES <input type="checkbox"/> NO <input checked="" type="checkbox"/>	Inspection Port :	YES <input type="checkbox"/> NO <input checked="" type="checkbox"/>	Skirt	<input checked="" type="checkbox"/> Legs <input type="checkbox"/> Saddle <input type="checkbox"/>
Nozzle Rating	600 lb ANSI	Painted :	YES <input checked="" type="checkbox"/> NO <input type="checkbox"/>	Insulated :	YES <input type="checkbox"/> NO <input checked="" type="checkbox"/>

PROCESS DATA

Product Description	Sweet Gas	Sweet	<input checked="" type="checkbox"/>	Sour	<input type="checkbox"/>	PPM:	
Operating Pressure		KPag / psig		Operating Temperature	46°F	°C / °F	

PSV STATIC DATA

Tag / Serial No.	Location	Size		Set Pressure	Capacity SCFM / Lbs/Hr / GPM	Manufacturer	Model / Type	Service Date
		Inlet	Outlet					
84335-344	Vessel	1"	1"	1440 psi	5181 SCFM	Taylor	82E83 51311	06/07

INSPECTION HISTORY

RBI Category	A <input type="checkbox"/> B <input type="checkbox"/> C <input type="checkbox"/> D <input type="checkbox"/>	Last Inspection Date	W.O. #
Inspection Task List #		Inspection Type	Inspection Reason Integrity Inspection <i>EM</i>
Inspection Techniques Required		Next Inspection Type	Due Date
VE	VI	RT	UT
MT	PT	PT	TT
Outstanding Repairs			

INSPECTION SUMMARY

An external inspection was performed to verify the vessels integrity. No concerns were found and the vessel is considered acceptable for continued service.

RECOMMENDATIONS

-Repaint the vessel and the piping.

REPAIRS COMPLETED

Object Name	Cause	Damage	Repair Activity
None			

VESSEL STATUS

Integrity Status	<input checked="" type="checkbox"/> Suitable for Continued Service	<input type="checkbox"/> Immediate Repairs Required	<input type="checkbox"/> Replace
		<input type="checkbox"/> Future Repairs Required	
Inventory Status	<input checked="" type="checkbox"/> In service Fully Utilized	<input type="checkbox"/> Idle	<input type="checkbox"/> Surplus
			<input type="checkbox"/> Scrap
This IR completes a thorough inspection. Reschedule as indicated		<input checked="" type="checkbox"/> Partial IR only. Do not reschedule	<input type="checkbox"/>

FACILITY Ansell Field	DATE May 7, 2008	REPORT # IR080507JNE
------------------------------	-------------------------	-----------------------------

INSPECTION OBSERVATIONS
NONCOMPLIANCES OR INSPECTION DEFICIENCIES ISSUED

-None at time of inspection.

EXTERNAL VISUAL INSPECTION

The vessel is painted with numerous blisters and flaking. The overall condition of the paint is fair. There was mild rusting but no notable external corrosion present in areas where paint had flaked off.

The nameplate, piping, bolting and external attachments are in good condition.

The vessel is protected with a PSV that is attached and in good condition.

The gauges are clear and in good condition.

The vessel appears to be secure and level.

The overall condition of this vessel is good.

EXTERNAL NDE EXAMINATION

-An external ultrasonic corrosion survey was completed. No relevant indications were noted at the time of inspection. For more details see formal UT report by Hunt Inspection - Project C2780

INTERNAL VISUAL INSPECTION

-There was no internal Visual at time of inspection.

INTERNAL NDE EXAMINATION

-There was no internal NDE at time of inspection.

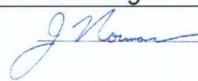
PRESSURE TEST

Test Completed Yes No Test Acceptable Yes No Test Report #

INSPECTOR CERTIFICATION

I, the undersigned certify that the above equipment has been inspected in accordance with the assigned task list and that statements within this report are correct and represent inspection findings

Inspectors Name Joel Norman

Inspector's Signature 

Inspection Company Hunt Inspection Ltd.

Date May 07, 2008

LEAD INSPECTOR'S ACCEPTANCE & SCHEDULE CONFIRMATION

Lead Inspector Bob Marchak

Signature 

Date 10-10-2008

Vessel Inspection Interval 5 Years

Leave "as-is"

Change to

PSV Inspection Interval 5 Years

Leave "as-is"

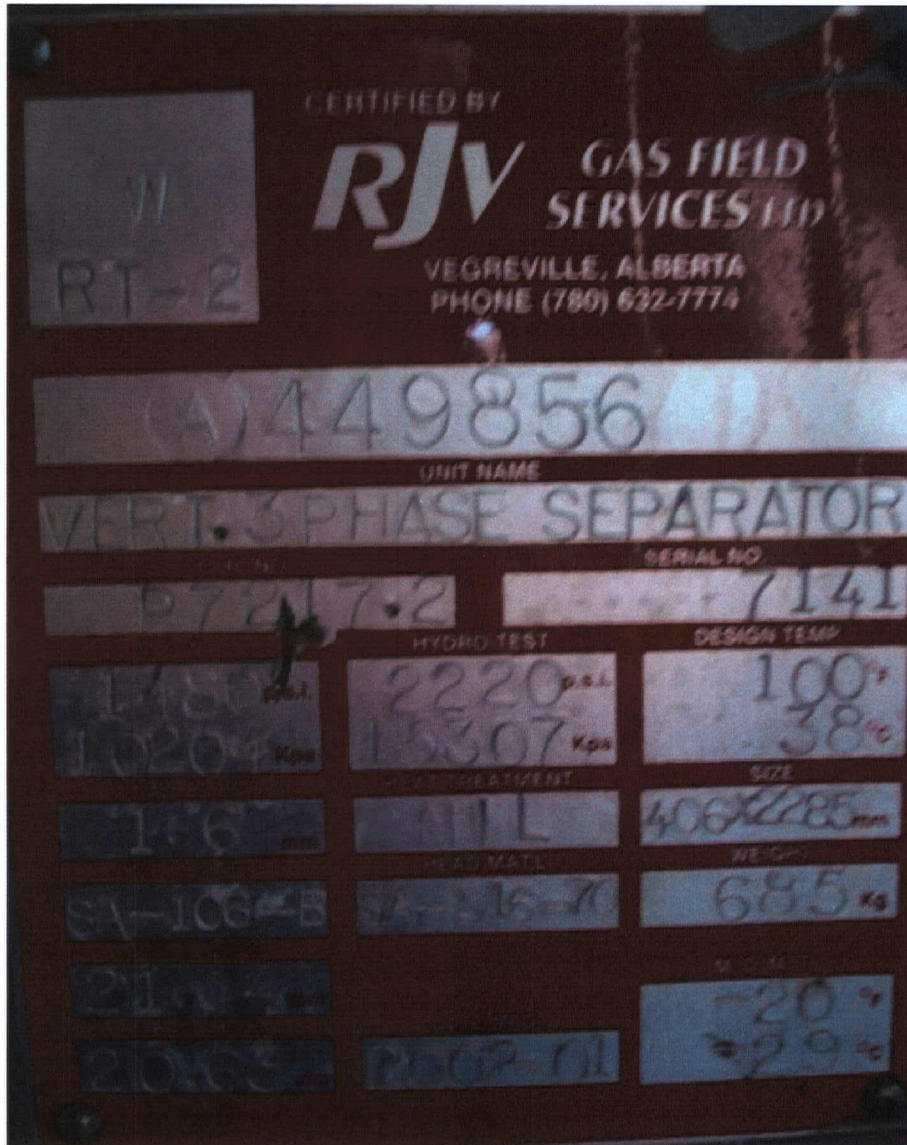
Change to

Office Use Only Report Entered to SEQA Database by
Static Data Verified by

Date
Date

FACILITY	Ansell Field	DATE	May 7, 2008	REPORT #	IR080507JNE
----------	--------------	------	-------------	----------	-------------

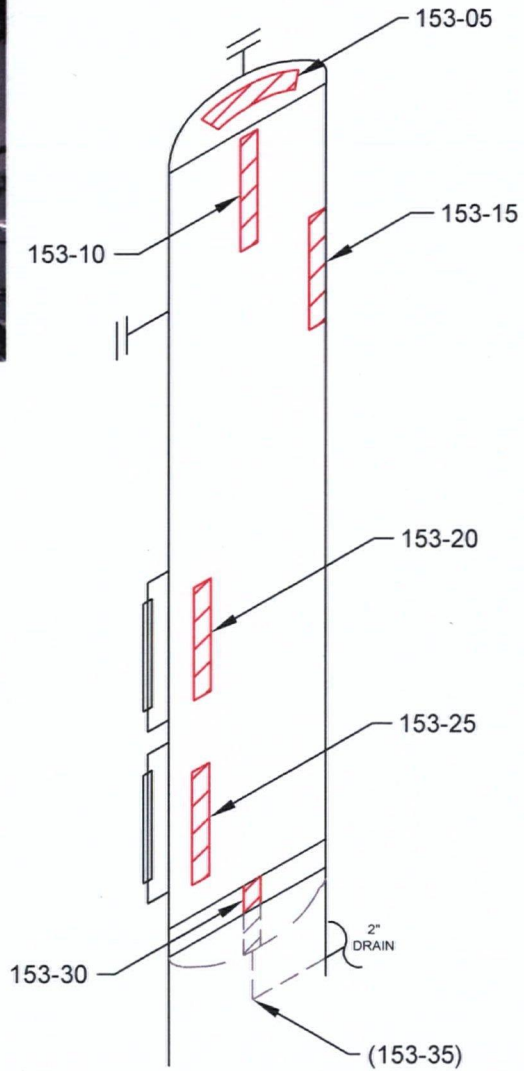
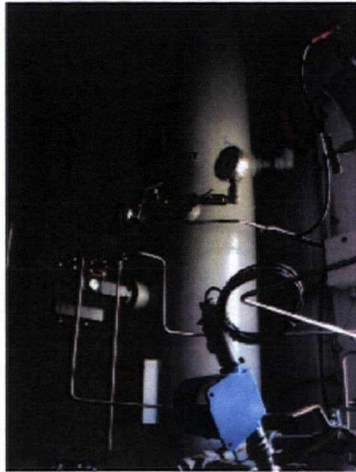
Data Plate Photo



ITEM:

VERTICAL SEPARATOR

A 0449856



HUNT INSPECTION LTD.
 STETTLER, AB (403) 742-4868
 LACOMBE, AB (403) 782-7855
 BROOKS, AB (403) 501-8029
 GRANDE PRAIRIE, AB (866) 422-9732

TECHNICIAN:

JOEL NORMAN
 SNT LEVEL III
 CGSB 48.9712
 LEVEL III # 6951

DATE: **05/07/08**

DWG # **153**

CLIENT: **HUSKY ENERGY**

LSID: **06-23-050-19-W5M**

INSPECTOR : BOB MARCHAK

LOCATION : ANSELL FIELD

DISTRICT UNIT : FH-FW

BLDG/SKID: -

PROCESS: SWEET

CODE: ASME SEC VIII DIV 1

SPECIFICATION: AS PER ASME SE 797

TECHNIQUE: UT-1-1, REV. 1

METHOD: UT CONTINUOUS / A SCAN

SURFACE COND: PAINTED

SURFACE TEMP: AMBIENT

VESSEL INFORMATION

VESSEL # : **A 0449856**

CRN # : P7217.2

SERIAL # : 7141

MANUFACTURER: RJV

DATE BUILT: 2002

CLIENT ID / TAG: -

M.A.W.P. : 1480 PSI

M.A.W.T. : 100 °F

JOINT EFFICIENCY/RT: RT 2

STRESS RELIEVED: NO

INSULATED : NO

MANWAY : NO

VESSEL SPECIFICATIONS

	OD	NOMINAL	MATERIAL	CA
VESSEL HEAD	16"	.812"	SA-516-70	.0625"
VESSEL SHELL	16"	.844"	SA-106-B	.0625"
BOOT HEAD	-	-	-	-
BOOT SHELL	-	-	-	-

COMMENTS:

PROJECT:

C2780



ULTRASONIC CORROSION SURVEY

Survey Name: HUSKY ENERGY

Survey Date: 5/07/08

LSD: 06-23-050-19W5	Dwg: 153	Vessel Number: A0449856	Manufacturer: RJV	Inspector: BOB MARCHAK
District Unit: FH-FW		Vessel Name: VERTICAL SEPARATOR	Serial Number: 7141	Process: SWEET
Location: ANSELL FIELD		Year Built: 2002	Shell MAWP PSI: 1480	MAWT F: 100
Skid: -		Tag Number: -	Tube MAWP PSI: 0	MAWT F: 0
		CRN: P7217.2	Vessel CA: 0.0625	Project #: C2780

Band	Description			Readings						Year	Avg Inches	Min Inches	Nominal	CA	TMIN	Recommended Next Inspection	Recommended Retirement Date	
				1	2	3	4	5	6									
153-05	Top	Head	Baseline	0.843	0.843	0.844	0.845	0.845	0.843	2008	0.844	0.843	0.8120	0.0625	0.5359	2009	2028	
Shape	Ellipsoidal	Shell Side	Previous	Comments-->														
OD	16		Current	0.843	0.843	0.844	0.845	0.845	0.843	2008	0.844	0.843						
Spec.	VIII Div 1									ST Loss MPY	OK							
Material	SA 516 - 70									LT Loss MPY	0.000							
153-10	Upper	Shell	Baseline	0.842	0.841	0.843	0.855	0.850	0.845	2008	0.846	0.841	0.8440	0.0625	0.6533	2009	2028	
Shape	Cylindrical	Shell Side	Previous	Comments-->														
OD	16		Current	0.842	0.841	0.843	0.855	0.850	0.845	2008	0.846	0.841						
Spec.	VIII Div 1									ST Loss MPY	OK							
Material	SA 106 - B									LT Loss MPY	0.000							
153-15	Upper	Shell	Baseline	0.865	0.868	0.865	0.862	0.863	0.856	2008	0.863	0.856	0.8440	0.0625	0.6533	2009	2028	
Shape	Cylindrical	Shell Side	Previous	Comments-->														
OD	16		Current	0.865	0.868	0.865	0.862	0.863	0.856	2008	0.863	0.856						
Spec.	VIII Div 1									ST Loss MPY	OK							
Material	SA 106 - B									LT Loss MPY	0.000							
153-20	Mid	Shell	Baseline	0.858	0.857	0.857	0.861	0.855	0.859	2008	0.858	0.855	0.8440	0.0625	0.6533	2009	2028	
Shape	Cylindrical	Shell Side	Previous	Comments-->														
OD	16		Current	0.858	0.857	0.857	0.861	0.855	0.859	2008	0.858	0.855						
Spec.	VIII Div 1									ST Loss MPY	OK							
Material	SA 106 - B									LT Loss MPY	0.000							



ULTRASONIC CORROSION SURVEY

Survey Name: HUSKY ENERGY

Survey Date: 5/07/08

LSD: 06-23-050-19W5	Dwg: 153	Vessel Number: A0449856	Manufacturer: RJV	Inspector: BOB MARCHAK
District Unit: FH-FW		Vessel Name: VERTICAL SEPARATOR	Serial Number: 7141	Process: SWEET
Location: ANSELL FIELD		Year Built: 2002	Shell MAWP PSI: 1480	MAWT F: 100
Skid: -		Tag Number: -	Tube MAWP PSI: 0	MAWT F: 0
		CRN: P7217.2	Vessel CA: 0.0625	Project #: C2780

Band	Description			Readings						Year	Avg Inches	Min Inches	Nominal	CA	TMIN	Recommended Next Inspection	Recommended Retirement Date	
				1	2	3	4	5	6									
153-25	Lower	Shell	Baseline	0.860	0.861	0.858	0.856	0.858	0.857	2008	0.858	0.856	0.8440	0.0625	0.6533	2009	2028	
Shape	Cylindrical	Shell Side	Previous	Comments-->														
OD	16		Current	0.860	0.861	0.858	0.856	0.858	0.857	2008	0.858	0.856						
Spec.	VIII Div 1			ST Loss MPY						OK								
Material	SA 106 - B			LT Loss MPY						0.000								
153-30	Bottom	Head	Baseline	0.840	0.841	0.839	0.839	0.837	0.845	2008	0.840	0.837	0.8120	0.0625	0.5359	2009	2028	
Shape	Ellipsoidal	Shell Side	Previous	Comments-->														
OD	16		Current	0.840	0.841	0.839	0.839	0.837	0.845	2008	0.840	0.837						
Spec.	VIII Div 1			ST Loss MPY						OK								
Material	SA 516 - 70			LT Loss MPY						0.000								
153-35	Drain	Nozzle	Baseline	0.342	0.337	0.340	0.336	0.343	0.336	2008	0.339	0.336	0.3430	0.0625	0.0771	2009	2028	
Shape	90° Elbow	Shell Side	Previous	Comments-->														
OD	2.375		Current	0.342	0.337	0.340	0.336	0.343	0.336	2008	0.339	0.336						
Spec.	VIII Div 1			ST Loss MPY						OK								
Material	SA 234 - WPB			LT Loss MPY						0.000								
153-40		Piping	Baseline	0.279	0.277	0.277	0.281	0.279	0.277	2008	0.278	0.277	0.3000	0.0375	0.1249	2009	2028	
Shape	90° Elbow	Shell Side	Previous	Comments-->														
OD	3.5		Current	0.279	0.277	0.277	0.281	0.279	0.277	2008	0.278	0.277						
Spec.	B31.3			ST Loss MPY						OK								
Material	A 234 - WPB			LT Loss MPY						0.000								



ULTRASONIC CORROSION SURVEY

Survey Name: HUSKY ENERGY

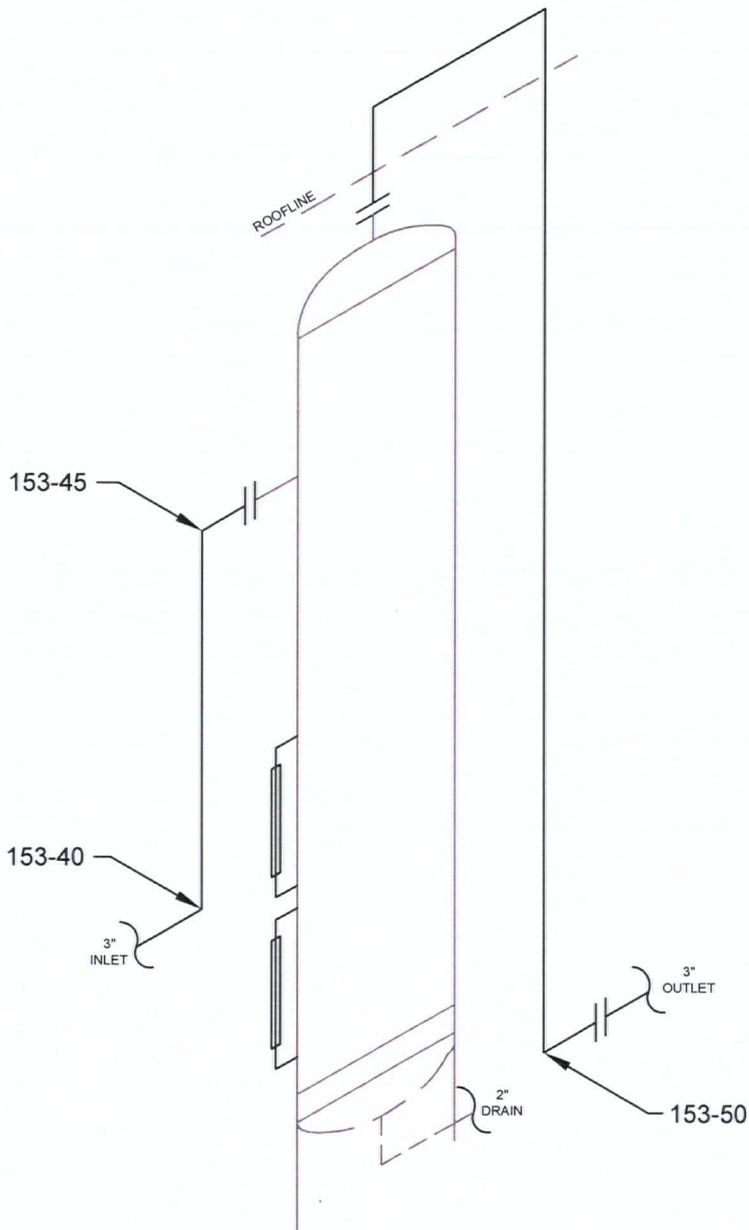
LSD: 06-23-050-19W5	Dwg: 153	Vessel Number: A0449856	Manufacturer: RJV	Survey Date: 5/07/08
District Unit: FH-FW		Vessel Name: VERTICAL SEPARATOR	Serial Number: 7141	Inspector: BOB MARCHAK
Location: ANSELL FIELD		Year Built: 2002	Shell MAWP PSI: 1480	MAWT F: 100
Skid: -		Tag Number: -	Tube MAWP PSI: 0	MAWT F: 0
		CRN: P7217.2	Vessel CA: 0.0625	Project #: C2780

Band	Description		Readings						Year	Avg Inches	Min Inches	Nominal	CA	TMIN	Recommended Next Inspection	Recommended Retirement Date
			1	2	3	4	5	6								
153-45	Piping	Baseline	0.290	0.285	0.280	0.282	0.280	0.290	2008	0.285	0.280	0.3000	0.0375	0.1249	2009	2028
Shape	90° Elbow	Shell Side	Previous													Comments-->
OD	3.5	Current	0.290	0.285	0.280	0.282	0.280	0.290	2008	0.285	0.280					
Spec.	B31.3		ST Loss MPY													OK
Material	A 234 - WPB		LT Loss MPY													0.000
153-50	Piping	Baseline	0.199	0.203	0.200	0.192	0.186	0.183	2008	0.194	0.183	0.2160	0.0270	0.1249	2009	2028
Shape	90° Elbow	Shell Side	Previous													Comments-->
OD	3.5	Current	0.199	0.203	0.200	0.192	0.186	0.183	2008	0.194	0.183					
Spec.	B31.3		ST Loss MPY													Caution
Material	A 234 - WPB		LT Loss MPY													0.000

ITEM:

VERTICAL SEPARATOR - PIPING

A 0449856



STETTLER, AB (403) 742-4868
LACOMBE, AB (403) 782-7855
BROOKS, AB (403) 501-8029
GRANDE PRAIRIE, AB (866) 422-9732

TECHNICIAN:

JOEL NORMAN
SNT LEVEL III
CGSB 48.9712
LEVEL III # 6951

DATE: **05/07/08**

DWG # **153A**

CLIENT: **HUSKY ENERGY**

LSD: **06-23-050-19-W5M**

INSPECTOR: BOB MARCHAK

LOCATION: ANSELL FIELD

DISTRICT UNIT: FH-FW

BLDG/SKID: -

PROCESS: SWEET

CODE: ASME B31.3

SPECIFICATION: AS PER ASME SE 797

TECHNIQUE: UT-1-1, REV. 1

METHOD: UT CONTINUOUS / A SCAN

SURFACE COND: PAINTED

SURFACE TEMP: AMBIENT

PIPING INFORMATION

PIPING ID	SIZE	SCH	NOM	M.A.W.P. (VESSEL)	M.A.W.T. (VESSEL)	FLANGE RATING
153-40	3.50"	XS	.300"	1480 PSI	100 °F	600
153-45	"	"	"	"	"	"
153-50	3.50"	40	.216"	"	"	"

COMMENTS:

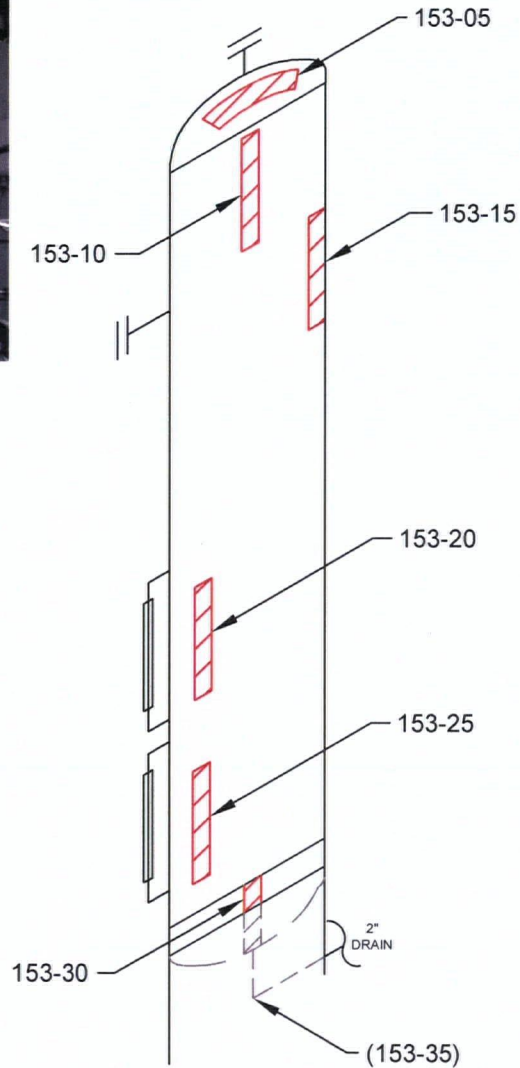
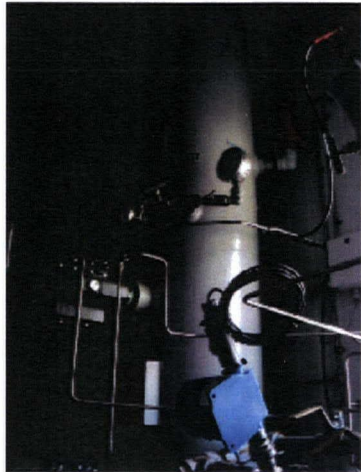
PROJECT:
C2780

66074154

ITEM:

VERTICAL SEPARATOR

A 0449856



		TECHNICIAN: JOEL NORMAN SNT LEVEL III CGSB 48.9712 LEVEL III # 6951		
STETTLER, AB (403) 742-4868 LACOMBE, AB (403) 782-7855 BROOKS, AB (403) 501-8029 GRANDE PRAIRIE, AB (866) 422-9732				
DATE: 05/07/08		DWG # 153		
CLIENT: HUSKY ENERGY				
LSD: 06-23-050-19-W5M				
INSPECTOR : BOB MARCHAK				
LOCATION : ANSELL FIELD				
DISTRICT UNIT : FH-FW				
BLDG/SKID: -				
PROCESS: SWEET				
CODE: ASME SEC VIII DIV 1				
SPECIFICATION: AS PER ASME SE 797				
TECHNIQUE: UT-1-1, REV. 1				
METHOD: UT CONTINUOUS / A SCAN				
SURFACE COND: PAINTED				
SURFACE TEMP: AMBIENT				
VESSEL INFORMATION				
VESSEL # : A 0449856				
CRN # : P7217.2				
SERIAL # : 7141				
MANUFACTURER: RJV				
DATE BUILT: 2002				
CLIENT ID / TAG: -				
M.A.W.P. : 1480 PSI				
M.A.W.T. : 100 °F				
JOINT EFFICIENCY/RT: RT 2				
STRESS RELIEVED: NO				
INSULATED : NO				
MANWAY : NO				
VESSEL SPECIFICATIONS				
	OD	NOMINAL	MATERIAL	CA
VESSEL HEAD	16"	.812"	SA-516-70	.0625"
VESSEL SHELL	16"	.844"	SA-106-B	.0625"
BOOT HEAD	-	-	-	-
BOOT SHELL	-	-	-	-

COMMENTS:

PROJECT:
C2780



ULTRASONIC CORROSION SURVEY

Survey Name: HUSKY ENERGY

Survey Date: 5/07/08

LSD: 06-23-050-19W5	Dwg: 153	Vessel Number: A0449856	Manufacturer: RJV	Inspector: BOB MARCHAK
District Unit: FH-FW		Vessel Name: VERTICAL SEPARATOR	Serial Number: 7141	Process: SWEET
Location: ANSELL FIELD		Year Built: 2002	Shell MAWP PSI: 1480	MAWT F: 100
Skid: -		Tag Number: -	Tube MAWP PSI: 0	MAWT F: 0
		CRN: P7217.2	Vessel CA: 0.0625	Project #: C2780

Band	Description			Readings						Year	Avg Inches	Min Inches	Nominal	CA	TMIN	Recommended Next Inspection	Recommended Retirement Date
				1	2	3	4	5	6								
153-05	Top	Head	Baseline	0.843	0.843	0.844	0.845	0.845	0.843	2008	0.844	0.843	0.8120	0.0625	0.5359	2009	2028
Shape	Ellipsoidal	Shell Side	Previous	Comments-->													
OD	16		Current	0.843	0.843	0.844	0.845	0.845	0.843	2008	0.844	0.843					
Spec.	VIII Div 1			ST Loss MPY													
Material	SA 516 - 70			LT Loss MPY 0.000													
153-10	Upper	Shell	Baseline	0.842	0.841	0.843	0.855	0.850	0.845	2008	0.846	0.841	0.8440	0.0625	0.6533	2009	2028
Shape	Cylindrical	Shell Side	Previous	Comments-->													
OD	16		Current	0.842	0.841	0.843	0.855	0.850	0.845	2008	0.846	0.841					
Spec.	VIII Div 1			ST Loss MPY													
Material	SA 106 - B			LT Loss MPY 0.000													
153-15	Upper	Shell	Baseline	0.865	0.868	0.865	0.862	0.863	0.856	2008	0.863	0.856	0.8440	0.0625	0.6533	2009	2028
Shape	Cylindrical	Shell Side	Previous	Comments-->													
OD	16		Current	0.865	0.868	0.865	0.862	0.863	0.856	2008	0.863	0.856					
Spec.	VIII Div 1			ST Loss MPY													
Material	SA 106 - B			LT Loss MPY 0.000													
153-20	Mid	Shell	Baseline	0.858	0.857	0.857	0.861	0.855	0.859	2008	0.858	0.855	0.8440	0.0625	0.6533	2009	2028
Shape	Cylindrical	Shell Side	Previous	Comments-->													
OD	16		Current	0.858	0.857	0.857	0.861	0.855	0.859	2008	0.858	0.855					
Spec.	VIII Div 1			ST Loss MPY													
Material	SA 106 - B			LT Loss MPY 0.000													



ULTRASONIC CORROSION SURVEY

Survey Name: HUSKY ENERGY

Survey Date: 5/07/08

LSD: 06-23-050-19W5	Dwg: 153	Vessel Number: A0449856	Manufacturer: RJV	Inspector: BOB MARCHAK
District Unit: FH-FW		Vessel Name: VERTICAL SEPARATOR	Serial Number: 7141	Process: SWEET
Location: ANSELL FIELD		Year Built: 2002	Shell MAWP PSI: 1480	MAWT F: 100
Skid: -		Tag Number: -	Tube MAWP PSI: 0	MAWT F: 0
		CRN: P7217.2	Vessel CA: 0.0625	Project #: C2780

Band	Description			Readings						Year	Avg Inches	Min Inches	Nominal	CA	TMIN	Recommended Next Inspection	Recommended Retirement Date	
				1	2	3	4	5	6									
153-25	Lower	Shell	Baseline	0.860	0.861	0.858	0.856	0.858	0.857	2008	0.858	0.856	0.8440	0.0625	0.6533	2009	2028	
Shape	Cylindrical	Shell Side	Previous	Comments-->														
OD	16		Current	0.860	0.861	0.858	0.856	0.858	0.857	2008	0.858	0.856						
Spec.	VIII Div 1									ST Loss MPY	OK							
Material	SA 106 - B									LT Loss MPY	0.000							
153-30	Bottom	Head	Baseline	0.840	0.841	0.839	0.839	0.837	0.845	2008	0.840	0.837	0.8120	0.0625	0.5359	2009	2028	
Shape	Ellipsoidal	Shell Side	Previous	Comments-->														
OD	16		Current	0.840	0.841	0.839	0.839	0.837	0.845	2008	0.840	0.837						
Spec.	VIII Div 1									ST Loss MPY	OK							
Material	SA 516 - 70									LT Loss MPY	0.000							
153-35	Drain	Nozzle	Baseline	0.342	0.337	0.340	0.336	0.343	0.336	2008	0.339	0.336	0.3430	0.0625	0.0771	2009	2028	
Shape	90° Elbow	Shell Side	Previous	Comments-->														
OD	2.375		Current	0.342	0.337	0.340	0.336	0.343	0.336	2008	0.339	0.336						
Spec.	VIII Div 1									ST Loss MPY	OK							
Material	SA 234 - WPB									LT Loss MPY	0.000							
153-40		Piping	Baseline	0.279	0.277	0.277	0.281	0.279	0.277	2008	0.278	0.277	0.3000	0.0375	0.1249	2009	2028	
Shape	90° Elbow	Shell Side	Previous	Comments-->														
OD	3.5		Current	0.279	0.277	0.277	0.281	0.279	0.277	2008	0.278	0.277						
Spec.	B31.3									ST Loss MPY	OK							
Material	A 234 - WPB									LT Loss MPY	0.000							



ULTRASONIC CORROSION SURVEY

Survey Name: HUSKY ENERGY

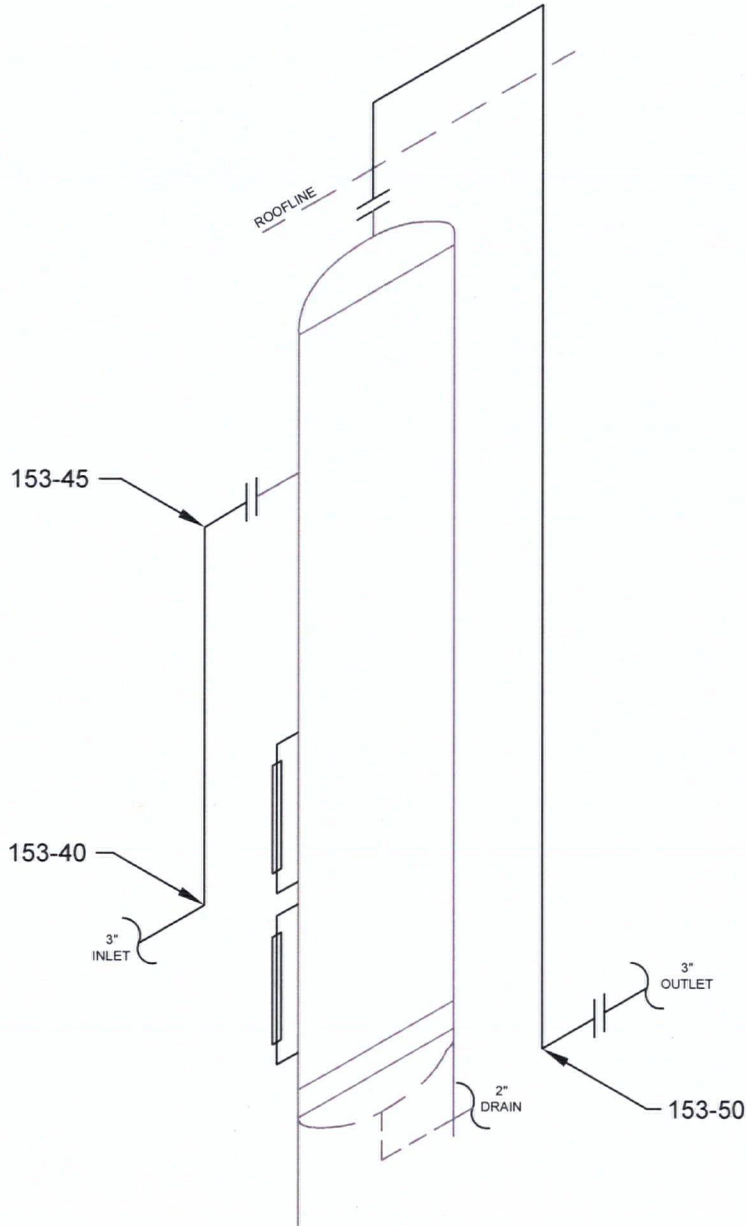
LSD: 06-23-050-19W5	Dwg: 153	Vessel Number: A0449856	Manufacturer: RJV	Survey Date: 5/07/08
District Unit: FH-FW		Vessel Name: VERTICAL SEPARATOR	Serial Number: 7141	Inspector: BOB MARCHAK
Location: ANSELL FIELD		Year Built: 2002	Shell MAWP PSI: 1480	MAWT F: 100
Skid: -		Tag Number: -	Tube MAWP PSI: 0	MAWT F: 0
		CRN: P7217.2	Vessel CA: 0.0625	Project #: C2780

Band	Description	Readings						Year	Avg Inches	Min Inches	Nominal	CA	TMIN	Recommended Next Inspection	Recommended Retirement Date	
		1	2	3	4	5	6									
153-45	Piping	Baseline	0.290	0.285	0.280	0.282	0.280	0.290	2008	0.285	0.280	0.3000	0.0375	0.1249	2009	2028
Shape	90° Elbow	Shell Side	Previous	Comments-->												
OD	3.5	Current	0.290	0.285	0.280	0.282	0.280	0.290	2008	0.285	0.280					
Spec.	B31.3	ST Loss MPY								OK						
Material	A 234 - WPB	LT Loss MPY								0.000						
153-50	Piping	Baseline	0.199	0.203	0.200	0.192	0.186	0.183	2008	0.194	0.183	0.2160	0.0270	0.1249	2009	2028
Shape	90° Elbow	Shell Side	Previous	Comments-->												
OD	3.5	Current	0.199	0.203	0.200	0.192	0.186	0.183	2008	0.194	0.183					
Spec.	B31.3	ST Loss MPY								Caution						
Material	A 234 - WPB	LT Loss MPY								0.000						

ITEM:

VERTICAL SEPARATOR - PIPING

A 0449856



HUNT INSPECTION LTD.
 STETTLER, AB (403) 742-4868
 LACOMBE, AB (403) 782-7855
 BROOKS, AB (403) 501-8029
 GRANDE PRAIRIE, AB (866) 422-9732

TECHNICIAN:
 JOEL NORMAN
 SNT LEVEL III
 CGSB 48.9712
 LEVEL III # 6951

DATE:	05/07/08	DWG #	153A
CLIENT:	HUSKY ENERGY		
LSID:	06-23-050-19-W5M		
INSPECTOR :	BOB MARCHAK		
LOCATION :	ANSELL FIELD		
DISTRICT UNIT :	FH-FW		
BLDG/SKID:	-		
PROCESS:	SWEET		
CODE:	ASME B31.3		
SPECIFICATION:	AS PER ASME SE 797		
TECHNIQUE:	UT-1-1, REV. 1		
METHOD:	UT CONTINUOUS / A SCAN		
SURFACE COND:	PAINTED		
SURFACE TEMP:	AMBIENT		

PIPING INFORMATION

PIPING ID	SIZE	SCH	NOM	M.A.W.P. (VESSEL)	M.A.W.T. (VESSEL)	FLANGE RATING
153-40	3.50"	XS	.300"	1480 PSI	100 °F	600
153-45	"	"	"	"	"	"
153-50	3.50"	40	.216"	"	"	"

COMMENTS:

PROJECT:
C2780

✓
HLC

Login Home Quality Assurance Help Exit

SEPARATOR INSPECTION REPORT

Inspection Report

Print Back Cancel

Notification Number 6607544 Work Order 6070244
Notification Desc SEPARATOR, 600 #, 3-Phase, 1440 PSI Maintenance Plan QPSEPAR6610
Tasklist Operation (5Y Inspection Interval) 5Y Code Inspection Separator - Sweet Se

Equipment Static Data

Equipment Number 66074154 Equipment Description SEPARATOR, 600 #, 3-Phase, 1440 PSI
Class SEPARATOR Tag Number
Serial Number 7141 Year Built
Manufacturer RJV GASFIELD SERVICES LTD
Location FH-FW-013-00001-0074 Location Description 100/06-23-050-19W5/00
Provincial Number 0449856 PM Activity Code
Status Codes NOPR ORAS Equipment Status In Service - Fully Utilized

CRN Number P7217.23 Code Stamp Fluid Description NAT GAS
Fluid Service SWEET Internal Coating Exists N Length 90.00 IN
MDMT - Min. Design Metal Temp 38 CEL Shell MAWP 1440 PSI Stress Relief PHT
Vessel Diameter 16.0 IN Volume X-Ray

PRD Static Data

Equip ID	Location	Size		Set Pressure	Capacity	Manufacturer	Serial Number	Model Number	Next Service Date
		Inlet	Outlet						

Process Data

Product Description SWEET GAS Fluid Service Sweet Sour PPM
Operating Pressure 2482 KPA Operating Temperature 4 °C

Pressure Test

Test Completed Yes No Test Acceptable Yes No Test Report #

PSV Data

Tag/Serial No.	Location	Size		Set Pressure	Capacity	Model / Type	Service Date
		Inlet	Outlet				
84335-344	SEPARATOR	1"	1"	1440 PSI	5181 SCFM	TAYLOR	06/2007

Inspection History

Inspected By MARCHAK, BOB Inspection Date 2007.11.29

Inspection Summary

An external inspection consisting of a visual and UT was carried out to determine the integrity of the 3 Phase Separator.
PSV last serviced 06/2007.
Paint had several chips with surface corrosion evident.
No depth to corrosion.
No leaks noted on any connections.
No other concerns were noted.
The Separator is considered acceptable for continued service.

Recommendations

1) None.

Repairs Completed

Equipment Status

Integrity Status Suitable for Continued Service Immediate Repairs Required Replace
 Future Repairs Required
Inventory Status In Service - Fully Utilized Idle Surplus Scrap

QA Activities

Leave As-Is Weld Overlaid Part / Component Replaced
 Equipment Replaced Grind Dressed Patch Installed
 MAWP Derated Coating - Cleaned & Patched Coating - Removed & Replaced

- Defect Removed & Rewelded
 Part Cleaned
 Lapped & Dressed
 Epoxy Patched

Noncompliances or Inspection Deficiencies Issued

External Visual Inspection

Nameplate on the Separator was attached and legible.
 The paint had several chips with surface corrosion noted.
 No depth to this corrosion.
 The Separator skirt was welded to the floor and was secure.
 PSV was last serviced 06/2007.
 No leaks noted on any connections.
 No other concerns were noted.
 The Separator is considered acceptable for continued service.

The Fuel Gas Scrubber was fabricated by RJV. CRN# OH 0102.23
 MAWP: 6725 Kpa (975 psi)
 The paint had several chips with surface corrosion evident.
 No depth to the corrosion.
 No leaks were noted on any connections.
 No concerns were noted on the scrubber.
 Scrubber PSV info:
 Located: off Scrubber
 Serial Number: 87385-9
 Size: 1"x 1"
 Capacity: 582 scfm
 Service Date: 06/2007
 The Fuel Gas Scrubber is considered acceptable for continued service.

External NDE Examination

UT carried out by Bob Marchak.
 Separator: Nominal Shell: 0.844", Head: 0.812", Drain Nozzle: 0.343"
 Drain Nozzle: 0.348" to 0.355"
 Top Head: 0.843" to 0.849"
 Top Shell: 0.850" to 0.860"
 Bottom Shell: 0.880" to 0.892"
 No issue with UT readings.

Fuel Gas Scrubber:
 Nominal Shell: unknown, Head: unknown
 Top Head: 0.254" to 0.265"
 No issue with UT readings.

Internal Visual Inspection

Internal NDE Examination

Data Integrity

The following changes are required in SEIM:
 Construction Year: 2002
 Equipment Text and Technical Description: 1480 psi not 1440 psi
 X-Ray: RT2
 Stress Relief: No
 Shell Thickness: 21.44 mm
 MAWP: 1480 psi not 1440 psi
 Shell Material: SA-106-B
 MDMT: -29 C
 Head Thickness: 20.63 mm
 Orientation: Vertical
 CRN: P7217.23

Inspection Interval

Keep inspection interval at 5 years.
 Set PSV service interval at 5 years.

Damages

Inspector Certification

I, the undersigned certify that the above equipment has been inspected in accordance with the assigned task list and that statements within this report are correct and represent inspection findings.

Inspector Name MARCHAK, BOB Inspector Signature *Bob Marchak*
 Inspection Company HUSKY ENERGY Date 13-Dec-2007

Lead Inspector's Acceptance & Schedule Confirmation

Lead Inspector *Dale Masten* Signature *Dale Masten* Date Dec 11, 07
 Vessel Inspection Interval _____ Leave as-is / Change to: _____
 PSV Inspection Interval _____ Leave as-is / Change to: _____

Top

PHOTOS OF A449856 SEPARATOR AND FUEL GAS SCRUBBER



W
RT-2

RJV

GAS FIELD SERVICES LTD

VEGREVILLE, ALBERTA
PHONE (780) 632-7774

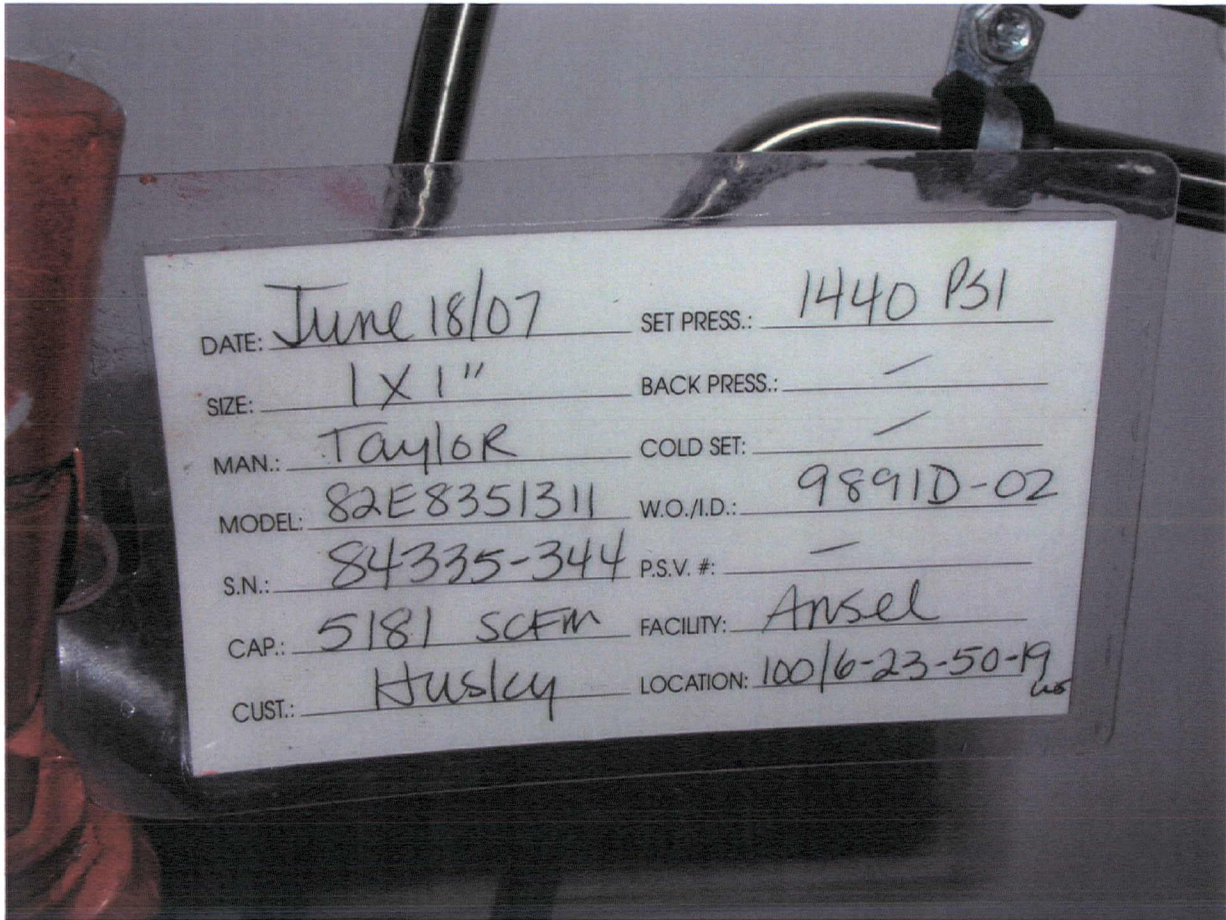
(A) 449856

UNIT NAME

VERT. 3 PHASE SEPARATOR

C. R. NO.	SERIAL NO.	
P7217.2	7141	
M.A.W.P.	HYDRO TEST	DESIGN TEMP.
1480 10204	2220 15307	100 38
CORR. ALLOW.	HEAT TREATMENT	SIZE
1.6	NIL	406X2285
SHELL MAT.	HEAD MAT.	WEIGHT
SA-106-B	SA-516-70	685
SHELL THICK.	HEAD THICK.	NO. OF R.T.
21.44	2002-01	-20 -29

PHOTOS OF A449856 SEPARATOR AND FUEL GAS SCRUBBER



PHOTOS OF A449856 SEPARATOR AND FUEL GAS SCRUBBER



DATE: June 18/07 SET PRESS.: 150 PSI
SIZE: 1 X 1" BACK PRESS.: -
MAN.: Taylor COLD SET: -
MODEL: 82E4351311 W.O./I.D.: 9891D-01
S.N.: 87385-9 P.S.V. #: -
CAP.: 582 SCFM FACILITY: Ansel
CUST.: Husky LOCATION: 100/6-23-50-19
WS