



MANDATORY DATA PACKAGE

HUSKY ENERGY

PO#: 8400005280
AFE#: US-24526-CG

UNIT # SAA-08240

JOB # I-980

NISKU HEAD OFFICE / MANUFACTURING / SERVICE

TELEPHONE: (780) 955-4292

E-MAIL: info@pccompression.com

FAX: (780) 955-4294

WEBSITE: www.pccompression.com



PACKAGE

Data Collected By:		Entry Date:		Package ID #	I-980
Equipment Class	Package	Purchase Order #	8400005280		
Equipment Description:	222 LP SAA-SCROLL SERIES		Tag No.	SAA-08240	
Facility:					
Location:	LSD <input type="text"/>	Sec <input type="text"/>	Twp <input type="text"/>	Rge <input type="text"/>	W/ <input type="text"/>
Cost Center:	Acquis Value		Acquis Date		
Equipment Status:	<input type="text"/>		Ownership Status <input type="text"/>		
Manufacturer:	PC COMPRESSION INC.		Year Built	2008	
Equipment Condition:	<input type="text"/>	Model No.	Serial No.		
Construction:	<input type="text"/>				
Skid Weight:	9200 lbs <input type="text"/>		Skid Size	8 x 15 x 11 ft <input type="text"/> (w x l x h)	
Code					

Common Characteristics

Design Flow <input type="text"/>	Service	sweet <input type="text"/>
----------------------------------	---------	----------------------------

Compressor / Pump Packages

Compressor Type	Rotary <input type="text"/>	
Pump Type	<input type="text"/>	
Driver <input type="text"/>	# Stages	<input type="text"/>
Inlet ANSI Rating	ANSI	Final Discharge ANSI Rating
		ANSI

Separator / Dehydrator / Treater / Line Heater / Tank Package

Orientation: <input type="text"/>	Vessel Diameter <input type="text"/>		
ANSI Rating	ANSI	MAWP <input type="text"/>	Internally Coated <input type="text"/>
Reboiler / Burner Duty	<input type="text"/>		

Inlet / Metering & Group Test Packages

ANSI Rating	ANSI	# Inlets	<input type="text"/>
-------------	------	----------	----------------------

Material Transfer Information

Transfer Recorded By:			Date		
From	LSD <input type="text"/>	Sec <input type="text"/>	Twp <input type="text"/>	Rge <input type="text"/>	W/ <input type="text"/>
Transfer Yard					
To	LSD <input type="text"/>	Sec <input type="text"/>	Twp <input type="text"/>	Rge <input type="text"/>	W/ <input type="text"/>
Facility			Receiving AFE		

Additional Notes

BUILDINGS AND STRUCTURES

Data Collected By:		Entry Date:		Package ID #	I-980
Equipment Class	▼	Purchase Order #	840005280		
Equipment Description:	222 LP SAA-SCROLL SERIES			Tag No.	
Facility:					
Location:	LSD ▼	Sec ▼	Twp ▼	Rge ▼	W/ ▼
Cost Center:	Acquis Value		Acquis Date		
Equipment Status:	Ownership Status				
Manufacturer:	PC COMPRESSION INC.			Year Built	2008
Equipment Condition:	▼	Model No.	Serial No.		
Construction:	▼				
Skid Weight:	▼	Skid Size	(w x l x h)		
Additional Characteristics for Buildings					
Construction Type:	SELF FRAMER				
Building Elec Class	CLASS I DIV II				
Shell:	22 GAUGE	Colour	GALVANIZED	Building Heat Type	120 VDC / NG
Humidifier	N ▼	Elevator	N ▼	Air Conditioning	N ▼
Foundation Type:	W6 x 15				
Additional Characteristics for Monorails					
Capacity:	Tons / Tonnes				
Additional Characteristics for Bridges					
Type:	▼	Capacity:	▼	Foundation	
Width:	▼	Length	▼	Deck	
Additional Characteristics for Lift Equipment					
Type:	▼	Width	▼	Length	▼
Wire/Chain Mat. Type:	Hook Type		Lift Capacity	▼	
Material Transfer Information					
Transfer Recorded By:					
From	LSD ▼	Sec ▼	Twp ▼	Rge ▼	W/ ▼
Transfer Yard					
To	LSD ▼	Sec ▼	Twp ▼	Rge ▼	W/ ▼
Facility				Receiving AFE	
Additional Notes					

Ensure Package ID Number is Identified on ALL Individual Equipment Item Templates



HUSKY ENERGY
PO#: 8400005280 AFE: US-24526-CG
QPS CERTIFIED: QC-54930
JOB # I-980
UNIT # SAA-08240

COMPONENTS

COMPRESSOR ASSEMBLY: **CA-210**
MAKE: COPELAND SCROLL
MODEL NO: SZ022C3A-EDE-234
INLET PRESS: 2" W.C. /MAX 10 PSIG
DISCHARGE PRESS SETTING: 215 PSIG
275VAC / 3 PH / 60 Hz
PEAK OPERATING AMPS: 16.3
SERIAL NO: 08F0A272K
QPS CERTIFIED: QCC-98023

COMPRESSOR: **C-210**
MAKE: COPELAND SCROLL
MODEL NO: ZNH22C3A-KXX-265
MAX DISCHARGE PRESS: 450 PSIA
275VAC / 3 PH / 60 Hz
PEAK OPERATING AMPS: 16.3
RPM: 3600
SERIAL NO: 08EC4094K

COMPRESSOR OIL FILTER: **F-210**
MAKE: COPELAND SCROLL
PART NO: 513-0019-01

COMPRESSOR OIL SEPARATOR: **V-210**
MAKE: COPELAND SCROLL
PART NO: 548-2116-01
RATED PRESSURE: 250 PSIG

COMPRESSOR COOLER: **E-210**
MAKE: SUPER RADIATOR COILS
CRN: OH6358.2
CRN: OH0741.3



HUSKY ENERGY
PO#: 8400005280 AFE: US-24526-CG
QPS CERTIFIED: QC-54930
JOB # I-980
UNIT # SAA-08240

COMPONENTS CONTINUED

COOLER FAN MOTOR:

M-210
MAKE: EBM
MODEL NO: W1G250-HH37-52
24 VDC

COMPRESSOR ASSEMBLY:

CA-220
MAKE: COPELAND SCROLL
MODEL NO: SZ022C3A-EDE-234
INLET PRESS: 2" W.C. /MAX 10 PSIG
DISCHARGE PRESS SETTING: 215 PSIG
275VAC / 3 PH / 60 Hz
PEAK OPERATING AMPS: 16.3
SERIAL NO: 08F0A268K
QPS CERTIFIED: QCC-98019

COMPRESSOR:

C-220
MAKE: COPELAND SCROLL
MODEL NO: ZNH22C3A-KXX-265
MAX DISCHARGE PRESS: 450 PSIA
275VAC / 3 PH / 60 Hz
PEAK OPERATING AMPS: 16.3
RPM: 3600
SERIAL NO: 08EC4101K

COMPRESSOR OIL FILTER:

F-220
MAKE: COPELAND SCROLL
PART NO: 513-0019-01

COMPRESSOR OIL SEPARATOR:

V-220
MAKE: COPELAND SCROLL
PART NO: 548-2116-01
RATED PRESSURE: 250 PSIG



HUSKY ENERGY
PO#: 8400005280 AFE: US-24526-CG
QPS CERTIFIED: QC-54930
JOB # I-980
UNIT # SAA-08240

COMPONENTS CONTINUED

COMPRESSOR COOLER:

E-220

MAKE: SUPER RADIATOR COILS
CRN: OH6358.2
CRN: OH0741.3

COOLER FAN MOTOR:

M-220

MAKE: EBM
MODEL NO: W1G250-HH37-52
24 VDC

INLET SEPARATOR:

V-110

MAKE: LO TECH MANUFACTURING
YEAR BUILT: 2008
MAWP: 600 PSI @ 650°F
MDMT: -20°F @ 600 PSI
CORROSION ALLOWANCE: .0625"
CRN NO: OH5415.21345
SERIAL NO: 8600.643

PUMP:

P-610

MAKE: SANDPIPER
MODEL NO: PCC1, GABTXNSX
MWP: 100 PSI
45 GPM @ 40 SCFM
SERIAL NO: 1613183

DISCHARGE SCRUBBER:

V-120

MAKE: LO TECH MANUFACTURING
YEAR BUILT: 2008
MAWP: 600 PSI @ 650°F
MDMT: -20°F @ 600 PSI
CORROSION ALLOWANCE: .0625"
CRN NO: OH5415.21345
SERIAL NO: 8600.666



HUSKY ENERGY
PO#: 8400005280 AFE: US-24526-CG
QPS CERTIFIED: QC-54930
JOB # I-980
UNIT # SAA-08240

COMPONENTS CONTINUED

AIR COOLED EXCHANGER:

E-510

MAKE: GLOBAL HEAT TRANSFER
MODEL: GHT-450 SC
MAWP: 402 PSI @ 250°F
CRN NO: OH7426.213
SERIAL NO: 080504006

COOLER FAN MOTOR:

D-510

MAKE: EBM
MODEL NO: W1G250-HH37-52
24 VDC
QPS CERTIFIED: QCC-69043

FILTERS:

F-810 / F-820

MAKE: FLAIR
MAWP: 232 PSI @ 149°F
FILTER MODEL NO: HF 90
ELEMENT MODEL NO: HFD 90
CRN NO: OH5142.51263
C/W DIFFERENTIAL PRESSURE GAUGE

RIGHT DRYING TOWER:

V-140

MAKE: PYRAMID MANUFACTURING
YEAR BUILT: 2008
MAWP: 550 PSI @ 600°F
MDMT: -20°F @ 550 PSI
CORROSION ALLOWANCE: .0625"
CRN NO: OH5228.23
SERIAL NO: 08-3200-0000-F



HUSKY ENERGY
PO#: 8400005280 AFE: US-24526-CG
QPS CERTIFIED: QC-54930
JOB # I-980
UNIT # SAA-08240

COMPONENTS CONTINUED

LEFT DRYING TOWER:

V-130

MAKE: PYRAMID MANUFACTURING
YEAR BUILT: 2008
MAWP: 550 PSI @ 600°F
MDMT: -20°F @ 550 PSI
CORROSION ALLOWANCE: .0625"
CRN NO: OH5228.23
SERIAL NO: 08-3200-0000-A

METER RUN:

FE-1401

MAKE: NUFLO
PART NO: 40422-34221
ASSEMBLY NO: 40422-0094
CRN NO: OF1120.213
SERIAL NO: XJ70398-12

HEATER:

H-410

MAKE: CATA-DYNE
MODEL NO: MKII 2424
120 V START
SERIAL NO: 380250

PSV'S:

PSV-1101 PRESSURE SAFETY VALVE

MAKE: MERCER
MODEL NO: 91-17D51V06E1
CRN NO: OG8841.5C
SCFM: 228
SET PRESSURE: 100 PSI
SERIAL NO: 408237

PSV-1201 PRESSURE SAFETY VALVE

MAKE: MERCER
MODEL NO: 91-17D51V07E1
CRN NO: OG8841.5C
SCFM: 329
SET PRESSURE: 150PSI
SERIAL NO: 432039



HUSKY ENERGY
PO#: 8400005280 AFE: US-24526-CG
QPS CERTIFIED: QC-54930
JOB # I-980
UNIT # SAA-08240

COMPONENTS CONTINUED

PSV-1401 PRESSURE SAFETY VALVE

MAKE: MERCER
MODEL NO: 91-17D51V06E1
CRN NO: OG8841.5C
SCFM: 188
SET PRESSURE: 80 PSI
SERIAL NO: 422161

PSV-2101 PRESSURE SAFETY VALVE

MAKE: MERCER
MODEL NO: 91-17D51V07E1
CRN NO: OG8841.5C
SCFM: 329
SET PRESSURE: 150PSI
SERIAL NO: 432040

CONTROL VALVES:

LC-1101 LEVEL CONTROLLER

MAKE: MURPHY
MODEL NO: L1200NDVO

LCV-1201 LEVEL CONTROL VALVE

MAKE: WATSON McDANIEL
MODEL NO: PMD 1810-400
SERIES: WLD-1800
MAWP: 600 PSIG @ 500°F
CRN: OE3324.52

PRV-1101 PRESSURE CONTROL VALVE

MAKE: FISHER
MODEL NO: 289H-42
SPRING RANGE: 4-15 PSI

PCV-1201 PRESSURE CONTROL VALVE

MAKE: KIMRAY
MODEL NO: 1.2 SGT OPR
MAWP: 175 PSI / SPRING RANGE 2.5 PSI



HUSKY ENERGY
PO#: 8400005280 AFE: US-24526-CG
QPS CERTIFIED: QC-54930
JOB # I-980
UNIT # SAA-08240

COMPONENTS CONTINUED

BPCV-2101 BACK PRESSURE CONTROL VALVE

MAKE: FISHER
MODEL NO: 630R
SPRING RANGE: 75-175 PSI
MAX. INLET PRESSURE: 425 PSI
MAX. CASING PRESSURE: 550 PSI

ACV-1401 AIR CONTROL VALVE FAIL OPEN

MAKE: BURKERT
NPT 1" PMED 232 PSI
PILOT 29 -145 PSI
PART NO: 454599

ACV-1301 AIR CONTROL VALVE FAIL CLOSE

MAKE: BURKERT
NPT 1" PMED 232 PSI
PILOT 27 -145 PSI
PART NO: 454637

ACV-1302 / ACV-1402 AIR CONTROL VALVE FAIL CLOSE

MAKE: BURKERT
NPT 1/2" PMED 232 PSI
PILOT 39 -145 PSI
PART NO: 454635

PCV-1301 PRESSURE CONTROL VALVE

MAKE: FISHER
MODEL: 67CFR-362SC
SPRING RANGE: 0-35 PSI
MAX SUPPLY: 250 PSI



HUSKY ENERGY
PO#: 8400005280 AFE: US-24526-CG
QPS CERTIFIED: QC-54930
JOB # I-980
UNIT # SAA-08240

COMPONENTS CONTINUED

BPCV-1401 BACK PRESSURE CONTROL VALVE

MAKE: KIMRAY
MODEL NO: 212 SGT-BP
OPERATING PRESSURE: 125 PSI
DESIGN PRESSURE: 175 PSI

PCV-1403 PRESSURE CONTROL VALVE

MAKE: FISHER
MODEL: 627-496 C/W 1/2" ORIFICE
SPRING RANGE: 5-20 PSI

PCV-1402 PRESSURE CONTROL VALVE

MAKE: FISHER 2"
MODEL NO: 627-579 1/2" ORIFICE
SPRING RANGE: 70-150 PSI

PCV-2101 / PCV-2201 PRESSURE CONTROL VALVE

MAKE: FISHER
TYPE: 98 H
MAX. INLET: 300 @ 180°F
SPRING RANGE: 130-200 PSI

TCV-2101 / TCV-2201 TEMPERATURE CONTROL VALVE

MAKE: ROSTRA VERNATHERM
MODEL: 0250-08-00/200

PCV-4101 PRESSURE CONTROL VALVE

MAKE: FISHER
MODEL NO: 912-101

PCV-4102 PRESSURE CONTROL VALVE

MAKE: CCI THERMAL
MODEL: RTZ-11-15B

TCV-4101 TEMPERATURE CONTROL VALVE

MAKE: CCI THERMAL
MODEL NO: AC-TC-8000N-7



HUSKY ENERGY
PO#: 8400005280 AFE: US-24526-CG
QPS CERTIFIED: QC-54930
JOB # I-980
UNIT # SAA-08240

COMPONENTS CONTINUED

ESDV-4101 100% SHUT OFF VALVE

MAKE: CCI THERMAL
MODEL NO: ASV-375
MAX PRESSURE: ½ PSI

UY-1101 PUMP ACTUATING SWITCH

MAKE: AMOT CONTROLS
TYPE: CG
MODEL NO.: 4057D031H2

ELECTRICAL:

LSH-1101 LEVEL SWITCH HIGH

MAKE: MURPHY
MODEL NO: L1200
MAWP: 2000 PSI

PT-1101 PRESSURE TRANSMITTER

MAKE: WIKA
MODEL NO: E-10
RANGE: 0-15 PSI / 4-20 MA

PT-1401 PRESSURE TRANSMITTER

MAKE: WIKA
MODEL NO: N-10
RANGE: 0-200 PSI / 4-20 MA

GY-1401 SOLENOID

MAKE: ASCO
MODEL NO: EF8320G202 24V
MAWP: 115 PSI

GY-1301 / GY-1302 SOLENOID

MAKE: ASCO
MODEL NO: EF8320G202 24V
MAWP: 115 PSI



HUSKY ENERGY
PO#: 8400005280 AFE: US-24526-CG
QPS CERTIFIED: QC-54930
JOB # I-980
UNIT # SAA-08240

COMPONENTS CONTINUED

FT-1401 FLO TRANSMITTER

MAKE: FISHER
TYPE: FLOBOSS 103
MODEL NO: 0205E2DABA1N00
INPUT VOLT: 8-28 VDC
POWER: 18-WATTS MAX
TEMP. RANGE: -40 TO +75°C
TYPE 4 ENCLOSURE
SERIAL NO: 17959040

PSL-2101 / PSL-2201 PRESSURE SWITCH LOW SUCTION

MAKE: CUSTOM CONTROL SENSORS
MODEL NO: 675GE8001
SET @ 2" WC FALLING

PSH-2101 / PSH-2201 PRESSURE SWITCH HIGH DISCHARGE

MAKE: CUSTOM CONTROL SENSORS
MODEL NO: 6900GE18
SET @ 145 PSI RISING

TSH-2101 / TSH-2201 HIGH TEMPERATURE SHUT DOWN

MAKE: CUSTOM CONTROL SENSORS
MODEL NO: 6900TE16
SET @ 240°F RISING

PANEL ELECTRICAL:

SCROLL VFD PANEL

MAKE: PYRAMID CORPORATION
MODEL: SCROLL COMPRESSOR-VFD
DATE: 07/10/08
CSA APPROVAL: LR29807
AMPS: 20/5/30
VOLTS: 480 VAC / 120 VAC / 24 VDC
FREQ: 60 HZ
PHASE: 1/3
SERIAL NO: A131-9193



HUSKY ENERGY
PO#: 8400005280 AFE: US-24526-CG
QPS CERTIFIED: QC-54930
JOB # I-980
UNIT # SAA-08240

COMPONENTS CONTINUED

VFD CONTROLLERS

MAKE: CONTROL TECHNIQUES
MODEL: COMMANDER SK
MODEL NO: SK2402
VFD 1 SERIAL NO: 2081602077
VFD 2 SERIAL NO: 2081602977

PLC

MAKE: ALLEN-BRADLEY
MODEL: MICRO LOGIX 1200
CAT. NO.: 1762-IF20F2 AD1.2

POWER SUPPLY

MAKE: PHOENIX CONTACT
MODEL: QUINT-PS-3X400-500AC/24DC/30
PART NO: 120267.8
ORDER NO: 2938633
SERIAL NO: PSB5585344

TRANSFORMER

MAKE: SIEMENS
CAT NO: MT0500A
c/w 5A FUSE

THERMOSTAT

MAKE: HOFFMAN
PART NO: 35347001

HEATER

MAKE: DBK
MODEL NO: FGC1031.2R
CIRRUS 41F100AAE

480 VAC POWER SUPPLY INTERFACE

MAKE: FERRAZ SHAWMUT
CAT NO: FSPDB3A



HUSKY ENERGY
PO#: 8400005280 AFE: US-24526-CG
QPS CERTIFIED: QC-54930
JOB # I-980
UNIT # SAA-08240

COMPONENTS CONTINUED

24V FUSIBLE LINKS

MAKE: FERRAZ SHAWMUT
SERIES: ULTRA SAFE
CAT NO.: USM1 Y213944

PANEL COOLING FANS

MAKE: MECHATRONICS INC.
MODEL: G1225E24B

HMI PANEL

MAKE: PYRAMID CORPORATION
MODEL: 24 VDC, 8 AMPS
QPS CERTIFIED: QCC-98872

OPERATOR CONTROL PANEL

MAKE: ALLEN-BRADLEY
MODEL: PANEL VIEW 300 MICRO
CAT. NO.: 2711-M3A18L1

ESD BUTTON

MAKE: ALLEN BRADLEY
CAT. NO.: 800T-FX6; 800T-XD2P

PRESSURE GAUGES & TEMPERATURE INDICATORS:

PI-1101 PRESSURE INDICATOR

MAKE: WIKA SS LF
SCALE: 0-30 PSI / 0-205 KPA
SIZE: 1/4" LM X 2 1/2" FACE

PI-1102 PRESSURE INDICATOR

MAKE: WIKA SS LF
SCALE: 0-30 PSI / 0-205 KPA
SIZE: 1/4" LM X 2 1/2" FACE

PI-1201 PRESSURE INDICATOR

MAKE: WIKA SS LF
SCALE: 0-160 PSI / 0-1100 KPA
SIZE: 1/4" LM X 2 1/2" FACE



HUSKY ENERGY
PO#: 8400005280 AFE: US-24526-CG
QPS CERTIFIED: QC-54930
JOB # I-980
UNIT # SAA-08240

COMPONENTS CONTINUED

PI-1301 / PI-1401 PRESSURE INDICATOR

MAKE: WIKA SS LF
SCALE: 0-160 PSI / 0-1100 KPA
SIZE: ¼" LM X 2 ½" FACE

PI-1202 PRESSURE INDICATOR

MAKE: WIKA
SCALE: -30" HG - 15 PSI
SIZE: ¼" LM X 2 ½" FACE

PI-1402 PRESSURE INDICATOR

MAKE: KIMRAY
SCALE: 0-160 PSI / 0-1100 KPA
SIZE: ¼" LM X 2" FACE

PI-1405 PRESSURE INDICATOR

MAKE: WIKA SS LF
SCALE: 0-30 PSI / 0-205 KPA
SIZE: ¼" LM X 2 ½" FACE

PI-1404 PRESSURE INDICATOR

MAKE: WIKA SS LF
SCALE: 0-160 PSI / 0-1100 KPA
SIZE: ¼" LM X 2 ½" FACE

PI-1403 PRESSURE INDICATOR

MAKE: WIKA SS LF
SCALE: 0-160 PSI / 0-1100 KPA
SIZE: ¼" LM X 2 ½" FACE

PI-2101 / PI-2201 PRESSURE INDICATOR

MAKE: SWAGELOK SS LF
SCALE: 0-200 PSI / 0-13.5 BAR
SIZE: ¼" LM X 2 ½" FACE



HUSKY ENERGY
PO#: 8400005280 AFE: US-24526-CG
QPS CERTIFIED: QC-54930
JOB # I-980
UNIT # SAA-08240

COMPONENTS CONTINUED

PI-2102 / PI-2202 PRESSURE INDICATOR

MAKE: SWAGELOK SS LF
SCALE: 0-200 PSI / 0-13.5 BAR
SIZE: 1/4" LM X 2 1/2" FACE

TI-1301 / TI-1401 TEMPERATURE INDICATOR

MAKE: TREND (a Division of Wika)
SCALE: -40 TO 160°F / -40 TO 70°C
SIZE: 1/2" CBM X 3" FACE X 6" STEM

TW-1301 / TW-1401 THERMOWELL

MAKE: WIKA
Size: 1" x 1/2" x 6" STEM x STD BORE
Material: 316 SS

MISC:

LG-1101 / LG-1201 LEVEL GAUGE

MAKE: PENBERTHY
MODEL NO: 1RL-4
ASSEMBLY NO: 70003-000
CRN NO: OF0990.9C

GV-1101 & GV-1102 / GV-1201 & GV-1202 GAUGE VALVES

MAKE: PENBERTHY
MODEL NO: 330 J
CRN NO: OF0990.9C

SG-1301 / SG-1401 SIGHT GLASS

MAKE: LUBE DEVICES INC.
MODEL NO: LSP51-09



HUSKY ENERGY
PO#: 8400005280 AFE: US-24526-CG
QPS CERTIFIED: QC-54930
JOB # I-980
UNIT # SAA-08240

COMPONENTS CONTINUED

VALVES:

2" FP SS BALL VALVE
MAKE: MA STEWART
MODEL: G-2
2000-PSI WOG
CRN: OC0374.123456789
HEAT CODE: 0108

2" FP SWING CHECK VALVE
MAKE: WHEATLEY
1000-PSI WOG

1" FP SS BALL VALVE
MAKE: MA STEWART
MODEL: G-2
2000-PSI WOG
CRN: OC0374.123456789
HEAT CODE: 0108, 1206

1" FP SWING CHECK VALVE
MAKE: WHEATLEY
1000-PSI WOG

1" FP INLINE SPRING CHECK VALVE
MAKE: ZINGA
MODEL: LRV-10-20

½" FP SS BALL VALVE
MAKE: MA STEWART
MODEL: G-2
2000-PSI WOG
CRN: OC0374.123456789
HEAT CODE: 1007

½" SWING CHECK VALVE
MAKE: WHEATLEY
2160-PSI WOG



HUSKY ENERGY
PO#: 8400005280 AFE: US-24526-CG
QPS CERTIFIED: QC-54930
JOB # I-980
UNIT # SAA-08240

COMPONENTS CONTINUED

1/2" F X F NEEDLE VALVE
MAKE: ANDERSON GREENWOOD
MODEL: H1VDC4Q-021263-005
MAWP: 6000-PSI @ 200°F
HEAT CODE: D031

3/8" FP SS BALL VALVE
MAKE: MA STEWART
MODEL: G-2
2000-PSI WOG
CRN: OC0374.123456789
HEAT CODE: 0207

3/8" RP SS BALL VALVE
MAKE: W & F
MODEL: MH 27906

1/4" F X F NEEDLE VALVE
MAKE: ANDERSON GREENWOOD
MODEL: H5RDC-2
MAWP: 6000-PSI @ 200°F

1/4" M X F NEEDLE VALVE
MAKE: ANDERSON GREENWOOD
MODEL: H5RDC-22
MAWP: 6000-PSI @ 200°F

RO-1301
UNION MOUNTED RESTRICTION ORIFICE
1/2" OD x 1/16" BORE



HUSKY ENERGY

PO#: 8400005280 AFE: US-24526-CG

QPS CERTIFIED: QC-54930

JOB # I-980

UNIT # SAA-08240

COMPONENTS CONTINUED

STUDS: SA-193, B7M

SIZE: 1/2" X 2 1/2"

NUTS: SA-194, 2HM

SIZE: 1/2"

GASKETS: 316SS

SIZE: 1" 150# RF

TUBING: 1/2" X 0.035 WALL

HEAT CODE: V30959

3/8" X 0.035 WALL

HEAT CODE: 772-1901, 656-2605



HUSKY ENERGY

PO#: 8400005280 AFE: US-24526-CG

QPS CERTIFIED: QC-54930

JOB # I-980

UNIT # SAA-08240

FITTINGS:

DESCRIPTION:	GRADE:	HEAT NO:
2" FS THRD UNION 3000	SA-105N	UPO, 6EU
2" FS THRD 90° ELL 2000	SA-105N	HRS
2" FS THRD TEE 2000	SA-105N	HFI, HPL
2" X 1" FS THRD RED TEE 3000	SA-105N	2779
2" X 8" XS NIPPLE	SA-106B	539229, 22877
2" X 7" XS NIPPLE	SA-106B	760659, 745635
2" X 6" XS NIPPLE	SA-106B	22877
2" X 5" XS NIPPLE	SA-106B	R40
2" X 4 1/2" XS NIPPLE	SA-106B	NDO
2" X 4" XS NIPPLE	SA-106B	XA4, 539229
2" X 3 1/2" XS NIPPLE	SA-106B	22877
2" X 3" XS NIPPLE	SA-106B	AI47
2" X 2 1/2" XS NIPPLE	SA-106B	539229
2" X 1 1/2" XS SWAGE TBE	SA234-WPB	B643
2" X 1" XS SWAGE TBE	SA234-WPB	79169, 72431
2" X 1/4" XS SWAGE TBE	SA234-WPB	72431
2" FS THRD PLUG	SA-105N	N90
1 1/2" FS THRD 90° ELL 2000	SA-105N	HM3
1 1/2" X 4" XS NIPPLE	SA-106B	748674
1" 150# RF BLIND FLANGE	SA-105N	01875
1" 150# RF THRD FLANGE	SA-105N	1419
1" FS THRD UNION 3000	SA-105N	LULB, UX4
1" FS THRD 90° ELL 2000	SA-105N	NDCL, NTBN, GU9
1" FS THRD TEE 2000	SA-105N	TP5
1" X 1/2" FS THRD RED TEE 3000	SA-105N	2610
1" FS THRD CROSS 2000	SA-105N	HBO
1" X 8" XS NIPPLE	SA-106B	Y07020732, 23651
1" X 7" XS NIPPLE	SA-106B	R4D
1" X 6" XS NIPPLE	SA-106B	88T
1" X 5 1/2" XS NIPPLE	SA-106B	YT4, 528697
1" X 5" XS NIPPLE	SA-106B	538697
1" X 4 1/2" XS NIPPLE	SA-106B	538697



HUSKY ENERGY
PO#: 8400005280 AFE: US-24526-CG
QPS CERTIFIED: QC-54930
JOB # I-980
UNIT # SAA-08240

FITTINGS CONTINUED:

DESCRIPTION:	GRADE:	HEAT NO:
1" X 4" XS NIPPLE	SA-106B	XPU, 23651
1" X 3 1/2" XS NIPPLE	SA-106B	Y706-1082, 538697, Y0606755
1" X 3" XS NIPPLE	SA-106B	538697
1" X 2 1/2" XS NIPPLE	SA-106B	538697
1" X 2" XS NIPPLE	SA-106B	X9U, 53878
1" X 3/4" XS SWAGE TBE	SA234-WPB	79141
1" X 1/2" XS SWAGE TBE	SA234-WPB	79141
1" X 1/4" XS SWAGE TBE	SA234-WPB	79141, 78092
1" FS THRD PLUG	SA-105N	N59
3/4" FS THRD 90° ELL 2000	SA-105N	A64
3/4" X 4" XS NIPPLE	SA-106B	162829
3/4" X 2" XS NIPPLE	SA-106B	162829
3/4" FS THRD PLUG	SA-105N	2717
1/2" FS THRD UNION 3000	SA-105N	9CU
1/2" FS THRD 90° ELL 2000	SA-105N	A87
1/2" FS THRD TEE 2000	SA-105N	TU9
1/2" X 8" XS NIPPLE	SA-106B	252716
1/2" X 6" XS NIPPLE	SA-106B	163226
1/2" X 4 1/2" XS NIPPLE	SA-106B	55175
1/2" X 4" XS NIPPLE	SA-106B	71678
1/2" X 3 1/2" XS NIPPLE	SA-106B	163226
1/2" X 3" XS NIPPLE	SA-106B	AH80, 163226
1/2" X 2 1/2" XS NIPPLE	SA-106B	163226
1/2" X 2" XS NIPPLE	SA-106B	54094, AI6
1/2" X 1 1/2" XS NIPPLE	SA-106B	54094
1/2" X 3/8" XS SWAGE	SA234-WPB	72475
1/2" X 1/4" XS SWAGE	SA234-WPB	72475
1/2" FS THRD PLUG	SA-105N	2810



HUSKY ENERGY
PO#: 8400005280 AFE: US-24526-CG
QPS CERTIFIED: QC-54930
JOB # I-980
UNIT # SAA-08240

FITTINGS CONTINUED:

DESCRIPTION:	GRADE:	HEAT NO:
3/8" FS THRD TEE 2000	SA-105N	TM1
3/8" X 4" XS NIPPLE	SA-106B	Y03
3/8" X 1 1/2" XS NIPPLE	SA-106B	95492
3/8" X 1/4" XS SWAGE TBE	SA234-WPB	72475
3/8" FS THRD PLUG	SA-105N	2396
1/4" FS THRD 90° ELL 2000	SA-105N	54A
1/4" FS THRD TEE 2000	SA-105N	TU7
1/4" FS THRD CROSS 2000	SA-105N	CRBN
1/4" X 5" XS NIPPLE	SA-106B	47322
1/4" X 3" XS NIPPLE	SA-106B	RY5
1/4" X 2" XS NIPPLE	SA-106B	80491
1/4" X 1 1/2" XS NIPPLE	SA-106B	62841
1/4" FS THRD PLUG	SA-105N	C19
PIPE:		
2" SCH 80 SMLS PIPE	SA-106B	2-DC, 2-DE, 2-DF
1 1/2" SCH 80 SMLS PIPE	SA-106B	1.5-Q
1" SCH 80 SMLS PIPE	SA-106B	1-LS, 1-LRA
1/2" SCH 80 SMLS PIPE	SA-106B	.5-Q



HUSKY ENERGY
PO#: 8400005280 AFE: US-24526-CG
QPS CERTIFIED: QC-54930
JOB # I-980
UNIT # SAA-08240

MECHANICAL INFORMATION

COMPRESSOR OIL

COPELAND FUEL GAS BOOSTER OIL
CP-6006 SERIES
POLYALPHAOLEFIN
SYNTHETIC HYDROCARBON
SUPPLIED BY COPELAND SCROLL

DRYING TOWER MEDIA

ALCOA INDUSTRIAL CHEMICALS
ACTIVATED ALUMINA (ALL GRADES) SOLID F-200
ALUMINUM OXIDE
SUPPLIED BY BRENNTAG STINNES LOGISTICS

P:\PC Compression\Drafting\Work-Internal\980 SAA-08240 SAA-222-LP Husky AB\A-PID-SAA08240 AB.dwg, 7/18/2008 12:40:46 PM, scottspc, Property of PC Compression Inc. Duplication or transmittal without written consent is prohibited.

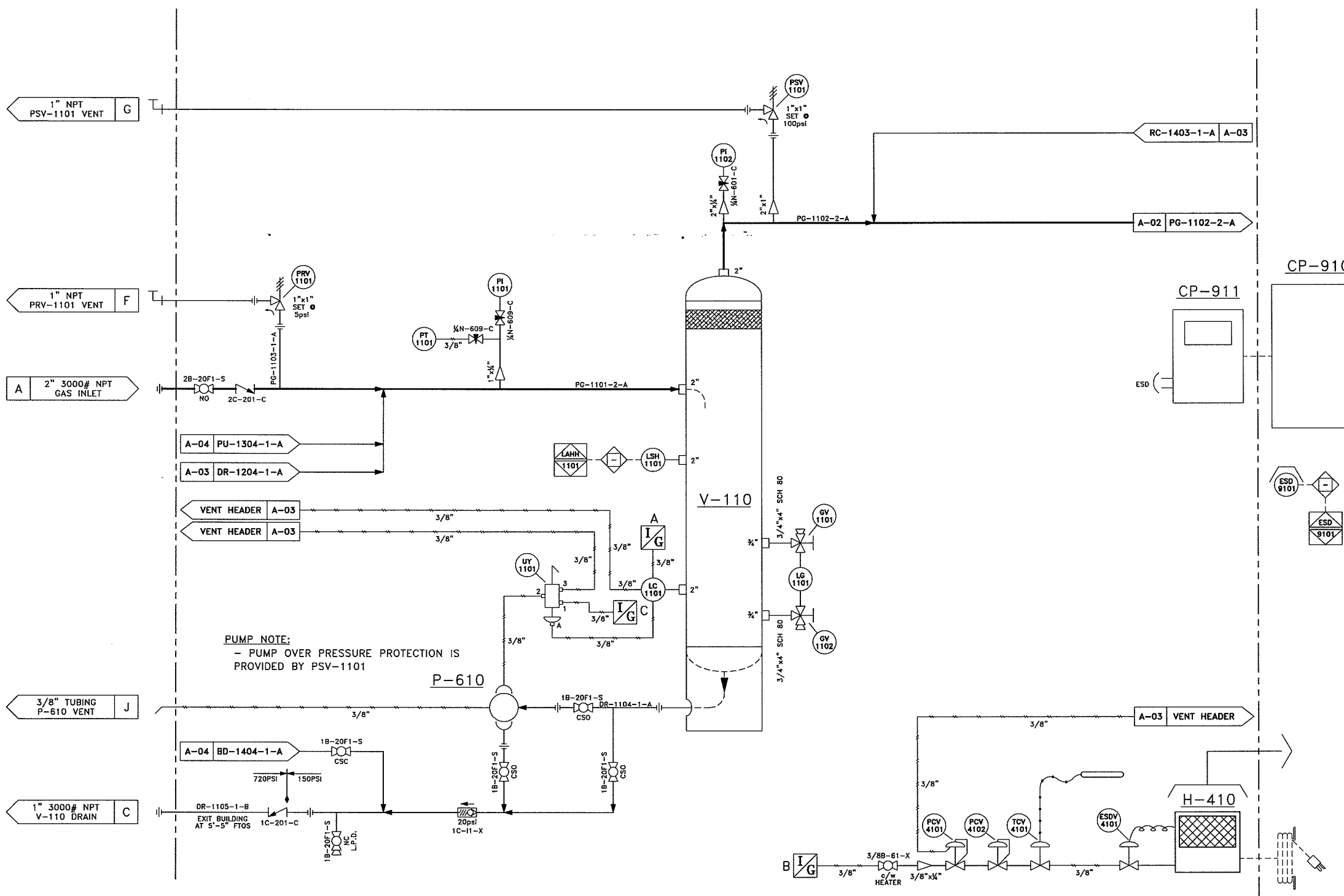
**V-110
INLET SCRUBBER**
 Manufacturer: LO TECH MANUFACTURING
 Size: 8.625" x 4'-0" S/S
 MAWP: 600psi @ 650°F
 MDMT: -20°F @ 600psi
 CRN: OH5415.21345
 0.0625" C.A.
 I/C: SCRUBBER848
 S/N: 8600.643

**H-410
HEATER**
 Manufacturer: CATA-DYNE
 Model: MKII 2424
 120V START
 I/C: MK2424-21111
 S/N: 380250

**P-610
LIQUID PUMP**
 Manufacturer: SANDPIPER
 Model: PCC1, GABTXNSX
 MAWP: 100psi
 Capacity: 45gpm @ 40scfm
 I/C: G1FB1BTXNSX00
 S/N: 1613183

**CP-910
VFD PANEL**
 Manufacturer: PYRAMID CORPORATION
 Model: SCROLL COMPRESSOR - VFD
 Volts: 480VAC/120VAC/24VDC
 Amps: 20/5/30
 1-3 PHASE, 60Hz
 CSA: LR29807
 I/C: VFDSCROLL
 S/N: A131-9193
 c/w VFD-COMMANDER SK
 c/w PLC-MICRO LOGIX 1200

**CP-911
HMI PANEL**
 Manufacturer: PYRAMID CORPORATION
 Volts: 24VDC
 Amps: 8
 I/C: HMI SCROLL
 QPS Certified: QCC-98872
 c/w HMI-PANEL VIEW 300 MICRO



PUMP NOTE:
 - PUMP OVER PRESSURE PROTECTION IS PROVIDED BY PSV-1101

BILL of MATERIAL		
ITEM CODE	ITEM TAG	DESCRIPTION
9117D51V06E1-100	PSV-1101	MERCER, 91-17D51V06E1, 1"x1" NPT, SET @ 100psi
E10-015	PT-1101	WIKA, E-10, S.R. 0-15psi
289H-42	PRV-1101	FISHER, 1" NPT, 289H-42, S.R. 4-15psig
L1200NDVO	LC-1101	MURPHY, L1200 NDVO, MAWP: 2000psi
L1200	LSH-1101	MURPHY, L1200, MAWP: 2000psi
8212228	PI-1101	WIKA, SSFL, 1/4"LM x 2 1/2"FACE, 0-30psi
8212228	PI-1102	WIKA, SSFL, 1/4"LM x 2 1/2"FACE, 0-30psi
4057D031H2	UY-1101	AMOT, 4057D031H2, 3 WAY SWITCHING VALVE
70003-000	LG-1101	PENBERTHY, 1RL-4
64810-500	GV-1101	PENBERTHY, 330J GAUGE VALVE
64810-500	GV-1102	PENBERTHY, 330J GAUGE VALVE
AC-TC-8000N-7	TCV-4101	CCI THERMAL, AC-TC-8000N-7
RAC-R-912-101	PCV-4101	FISHER 912-101
c/w H-410	PCV-4102	CCI THERMAL, RTZ-11-15B
c/w H-410	ESDV-4101	CCI THERMAL, ASV-375, 1/2 PSI
800T-FX6	ESD-9101	ESD BUTTON, 800T-FX6; 800T-XAP

- A-GENERAL NOTES:**
- 1. REFERENCE DRAWINGS: GA-SAA08240-B-01 SKD-SAA08240-D-01
 - PID-SAA08240-A-02 GA-SAA08240-B-02
 - PID-SAA08240-A-03 GA-SAA08240-B-03 BLD-SAA08240-H-01
 - PID-SAA08240-A-04 GA-SAA08240-B-04

- B-DESIGN & MATERIAL NOTES:**
- 1. PIPING CONSTRUCTED TO ASME B31.3-2006 NORMAL SERVICE
 - 2. CORROSION ALLOWANCE: 0.0625" UNLESS NOTED OTHERWISE
 - 3. SPEC 'A' PIPING:
 - DESIGN: MAWP: 150psig @ 350°F
 - MDMT: -20°F @ 150psig
 - LEAK TEST: 165psig @ AMBIENT TEMPERATURE w/ AIR/SOAP
 - PIPE: NPT: 1/4" TO 3/8", SA-106-B, SCH.80 @ 0.055"C.A.
 - NPT: 1/2" TO 2", SA-106-B, SCH.80
 - FLANGES: 1", ANSI cl.150 RF, SA-105N
 - FITTINGS: NPT: 1/4" TO 2", cl.2000, SA-105N
 - STUDS: SA-193-B7M NUTS: SA-194-2HM
 - A: 316SS, FLEXITALLIC, GRAPHITE FILL
 - SPEC 'B' PIPING:
 - DESIGN: MAWP: 720psig @ 130°F
 - MDMT: -20°F @ 720psig
 - LEAK TEST: 1080psig @ AMBIENT TEMPERATURE w/ HYDROTEST
 - PIPE: NPT: 1", SA-106-B, SCH.80
 - FITTINGS: NPT: 1", cl.2000, SA-105N
 - ALL SPECS: TUBING: 1/4", 3/8" & 1/2" 316SS, .035" WALL
 - TUBING FITTINGS: 1/4", 3/8" & 1/2" 316SS

- C-INSULATION NOTES:**
- 1. SKID INSULATION: 2" FIRE RETARDANT POLYURETHANE FOAM PF-7217

- D-MISCELLANEOUS NOTES:**
- 1. SANDBLAST: SSPC-SP6
 - FINISH: ONE COAT ENAMEL
 - COLOUR: WARM GREY
 - 2. BUILDING COLOUR: GALVANIZED
 - 3. BUILDING "DOGGIE DOOR" MOUNTED IN DOOR

		222 LP SAA-SCROLL SERIES SZ022C3A w/ DESICCANT TOWERS SKID MOUNTED, SWEET SERVICE	
Drawn by: S.D.C. Date: 04-15-08 Checked by: SDC Approved by: SDC		Company: HUSKY ENERGY	
2308-8th Street Nisku Alberta T9E 7Z2		Office: 780.955.4292 Fax: 780.955.4294 Toll Free: 866.955.4292	
1	AS BUILT	SDC	07-18-08
0	ISSUED FOR CONSTRUCTION	SDC	06-24-08
REV.	DESCRIPTION	BY	DATE
		CHKD	APPD
Quote/Ref. NO.:	JOB NO.:	Unit NO.:	Drawing NO.:
-	I-980	SAA-08240	PID-SAA08240-A-01
Scale:	N.T.S.		
			Rev: 1

P:\PC Compression Drafting\Work-Internal\1-980 SAA-08240 SAA-222-LP Husky AB\A-PID-SAA08240 AB.dwg, 7/18/2008 12:40:59 PM, scottopc, Property of PC Compression Inc. Duplication or transmittal without written consent is prohibited.

**CA-210/220
COMPRESSOR ASSEMBLY**

Manufacturer: COPELAND SCROLL
Model: SZ022C3A-EDE-234
Inlet Pressure: 2" W.C. / MAX 10psi
Discharge Pressure Setting: 215PSI
275VAC/3Phase/60Hz
Peak Operating Amps: 16.3
H.P.: 10
I/C: SZ022C3A-EDS-234
S/N CA-210: 08F0A272K
S/N CA-220: 08F0A268K
QPS CERTIFIED:
CA-210: QCC-98023
CA-220: QCC-98019

**C-210/220
COMPRESSOR**

Manufacturer: COPELAND SCROLL
Model: ZNH22C3A-KXX-265
Discharge Pressure Setting: 450psi
275VAC/3Phase/60Hz
Peak Operating Amps: 16.3
R.P.M.: 3600
S/N CA-210: 08EC4094K
S/N CA-220: 08EC4101K

**F-210/220
LUBE OIL FILTER**

Manufacturer: COPELAND SCROLL
Part No.: 513-0019-01

**V-210/220
LUBE OIL SEPERATOR**

Manufacturer: COPELAND SCROLL
Part No.: 548-2116-01
Rated Pressure: 250psi

**E-210/220
COMPRESSOR COOLER**

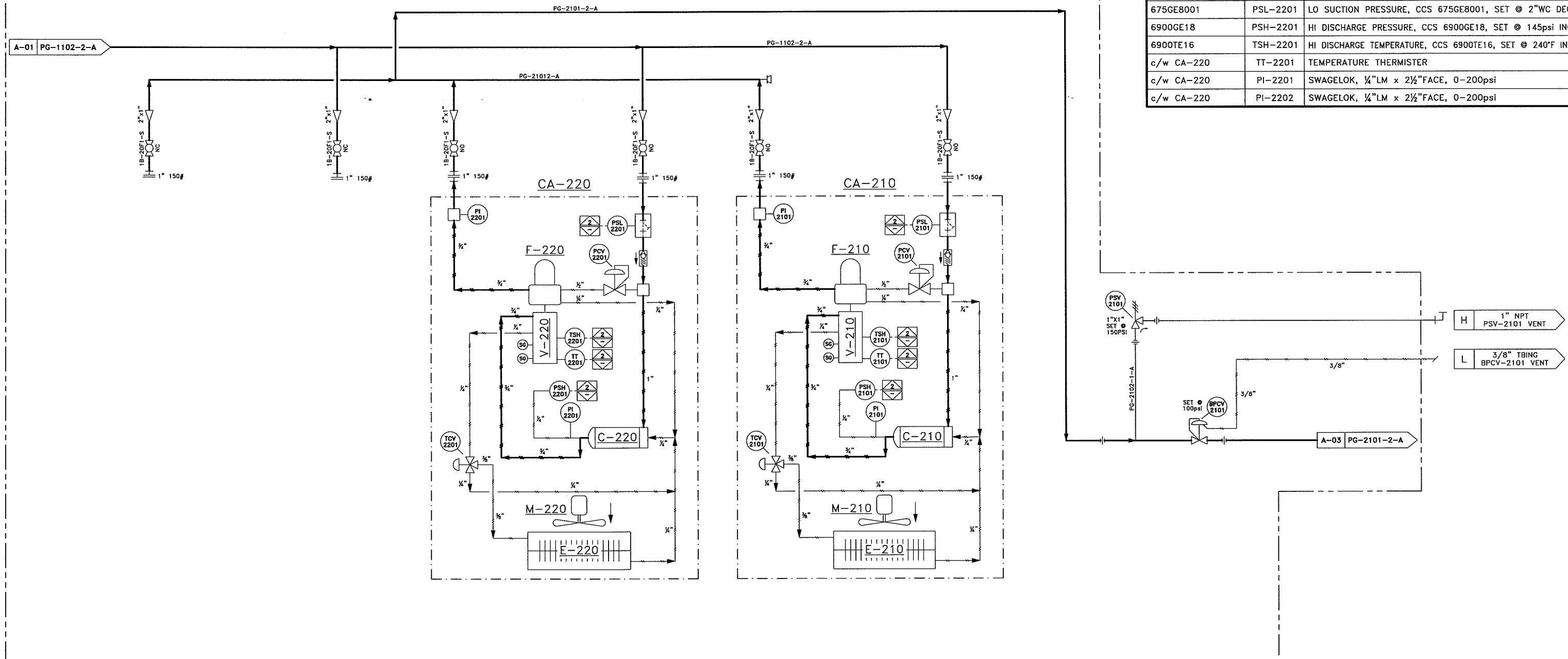
Manufacturer: SUPER RADIATOR COILS
MAWP: 250psi @ 300°F
MDMT: -20°F @ 250psi
CRN: OH6358.2
CRN: OH0741.3

**M-210/220
COOLER FAN MOTOR**

Manufacturer: EBM
Model: W1G250-HH37-52
Class 1, Div. 2
24VDC, 1/2Hp

BILL of MATERIAL

ITEM CODE	ITEM TAG	DESCRIPTION
9117D51V07E1-150	PSV-2101	MERCER, 91-17D51V07E1, 1"x1" NPT, SET @ 150psi
630R-17	BPCV-2101	FISHER, 630R, S.R. 75-175psig, 1/2" ORIFICE
98H	PCV-2101	FISHER, 98H-4, S.R. 130-200psi
c/w CA-210	TCV-2101	ROSTRA VERNATHERM, 0250-08-00/200
675GE8001	PSL-2101	LO SUCTION PRESSURE, CCS 675GE8001, SET @ 2"WC DECR.
6900GE18	PSH-2101	HI DISCHARGE PRESSURE, CCS 6900GE18, SET @ 145psi INCR.
6900TE16	TSH-2101	HI DISCHARGE TEMPERATURE, CCS 6900TE16, SET @ 240°F INCR.
c/w CA-210	TT-2101	TEMPERATURE THERMISTER
c/w CA-210	PI-2101	SWAGELOK, 1/4"LM x 2 1/2"FACE, 0-200psi
c/w CA-210	PI-2102	SWAGELOK, 1/4"LM x 2 1/2"FACE, 0-200psi
98H	PCV-2201	FISHER, 98H-4, S.R. 130-200psi
c/w CA-220	TCV-2201	ROSTRA VERNATHERM, 0250-08-00/200
675GE8001	PSL-2201	LO SUCTION PRESSURE, CCS 675GE8001, SET @ 2"WC DECR.
6900GE18	PSH-2201	HI DISCHARGE PRESSURE, CCS 6900GE18, SET @ 145psi INCR.
6900TE16	TSH-2201	HI DISCHARGE TEMPERATURE, CCS 6900TE16, SET @ 240°F INCR.
c/w CA-220	TT-2201	TEMPERATURE THERMISTER
c/w CA-220	PI-2201	SWAGELOK, 1/4"LM x 2 1/2"FACE, 0-200psi
c/w CA-220	PI-2202	SWAGELOK, 1/4"LM x 2 1/2"FACE, 0-200psi



GENERAL NOTES:
SEE-DRAWING# PID-SAA08240-A-01

REV.	DESCRIPTION	BY	DATE	CHKD	APPD
1	AS BUILT	SDC	07-18-08		
0	ISSUED FOR CONSTRUCTION	SDC	06-24-08	SDC	GB



2508-8th Street
Nisku Alberta
T9E 7Z2
Office: 780.955.4292
Fax: 780.955.4294
Toll Free: 866.955.4292

Drawn by: S.D.C.
Date: 04-15-08
Checked by: SDC
Approved by: SDC
Scale: N.T.S.

222 LP SAA-SCROLL SERIES
SZ022C3A w/ DESICCANT TOWERS
SKID MOUNTED, SWEET SERVICE

Company: **HUSKY ENERGY**

Quote/Ref. NO.: -
JOB NO.: 1-980
Unit NO.: SAA-08240
Drawing NO.: PID-SAA08240-A-02
Rev.: 1

P:\PC Compression\Drafting\Work-Internal\1-980_SAA-08240_SAA-222-LP_Husky AB\A-PID-SAA08240_AB.dwg, 7/18/2008 12:41:12 PM, scottopc, Property of PC Compression Inc. Duplication or transmittal without written consent is prohibited.

V-120
DISCHARGE SCRUBBER
 Manufacturer: LO TECH MANUFACTURING
 Size: 8.625" x 4'-0" S/S
 MAWP: 600psi @ 650°F
 MDMT: -20°F @ 600psi
 CRN: OH5415.21345
 0.0625" C.A.
 I/C: SCRUBBER848
 S/N: 8600.666

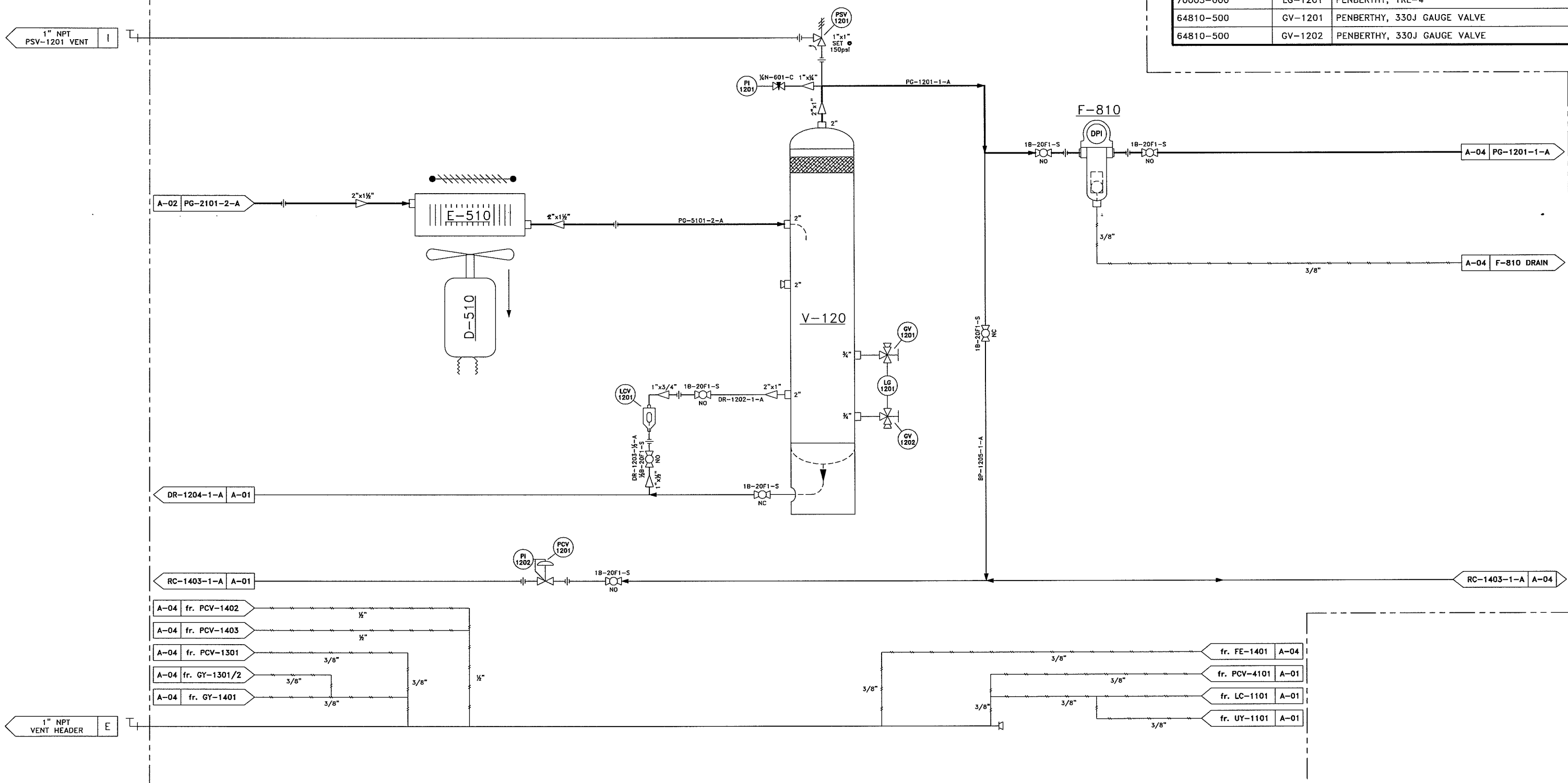
E-510
AIR COOLED EXCHANGER
 Manufacturer: GLOBAL HEAT TRANSFER
 Model: GHT 450 SC
 Part No.: 699-0362
 MAWP: 402psi @ 250°F
 CRN: OH7426.213
 I/C: GHT450
 S/N: 080504006

D-510
COOLER FAN MOTOR
 Manufacturer: EBM
 Model: W1G250-HH37-52
 Class 1 Div. 2
 24 VDC 1/2HP
 I/C: 550058100
 QPS Certified: QCC-69043

F-820
FILTER
 Manufacturer: FLAIR
 Model: HF-90
 MAWP: 232psi @ 149°F
 Element: HFD-90
 CRN: OH5142.51263
 c/w DPI
 I/C: HF90

BILL of MATERIAL

ITEM CODE	ITEM TAG	DESCRIPTION
9117D51V07E1-150	PSV-1201	MERCER, 91-17D51V07E1, 1"x1" NPT, SET @ 150psi
AOP-25	PCV-1201	KIMRAY, 1" NPT, 1.2 SGT OPR, MAWP: 175psi, S.R. 2.5psi
WLD1811	LCV-1201	WATSON McDANIEL, PMD-1810-400, MAWP: 600psig @ 500°F
9110653	PI-1201	WIKA, SSLF, 1/4"LM x 2 1/2"FACE, 0-160psi
c/w PCV-1201	PI-1202	WIKA, 1/4"LM x 2"FACE, -30"HG to 15psi
70003-000	LG-1201	PENBERTHY, 1RL-4
64810-500	GV-1201	PENBERTHY, 330J GAUGE VALVE
64810-500	GV-1202	PENBERTHY, 330J GAUGE VALVE



GENERAL NOTES:
 SEE-DRAWING# PID-SAA08240-A-01

		Drawn by: S.D.C. Date: 04-15-08 Checked by: SDC Approved by: SDC		222 LP SAA-SCROLL SERIES SZ022C3A w/ DESICCANT TOWERS SKID MOUNTED, SWEET SERVICE	
2308-8th Street Nisku Alberta T9E 7Z2		Office: 780.955.4292 Fax: 780.955.4294 Toll Free: 866.955.4292		Company: HUSKY ENERGY	
1	AS BUILT	SDC	07-18-08	Quote/Ref. NO.:	
0	ISSUED FOR CONSTRUCTION	SDC	06-24-08	JOB NO.:	I-980
REV.	DESCRIPTION	BY	DATE	Unit NO.:	SAA-08240
				Drawing NO.:	PID-SAA08240-A-03
				Rev.:	1

P:\PC Compression\Drafting\Work-Internal\1-980 SAA-08240 SAA-222-LP Husky AB\A-PID-SAA08240 AB.dwg, 7/18/2008 12:41:32 PM, scottspc, Property of PC Compression Inc. Duplication or transmission without written consent is prohibited.

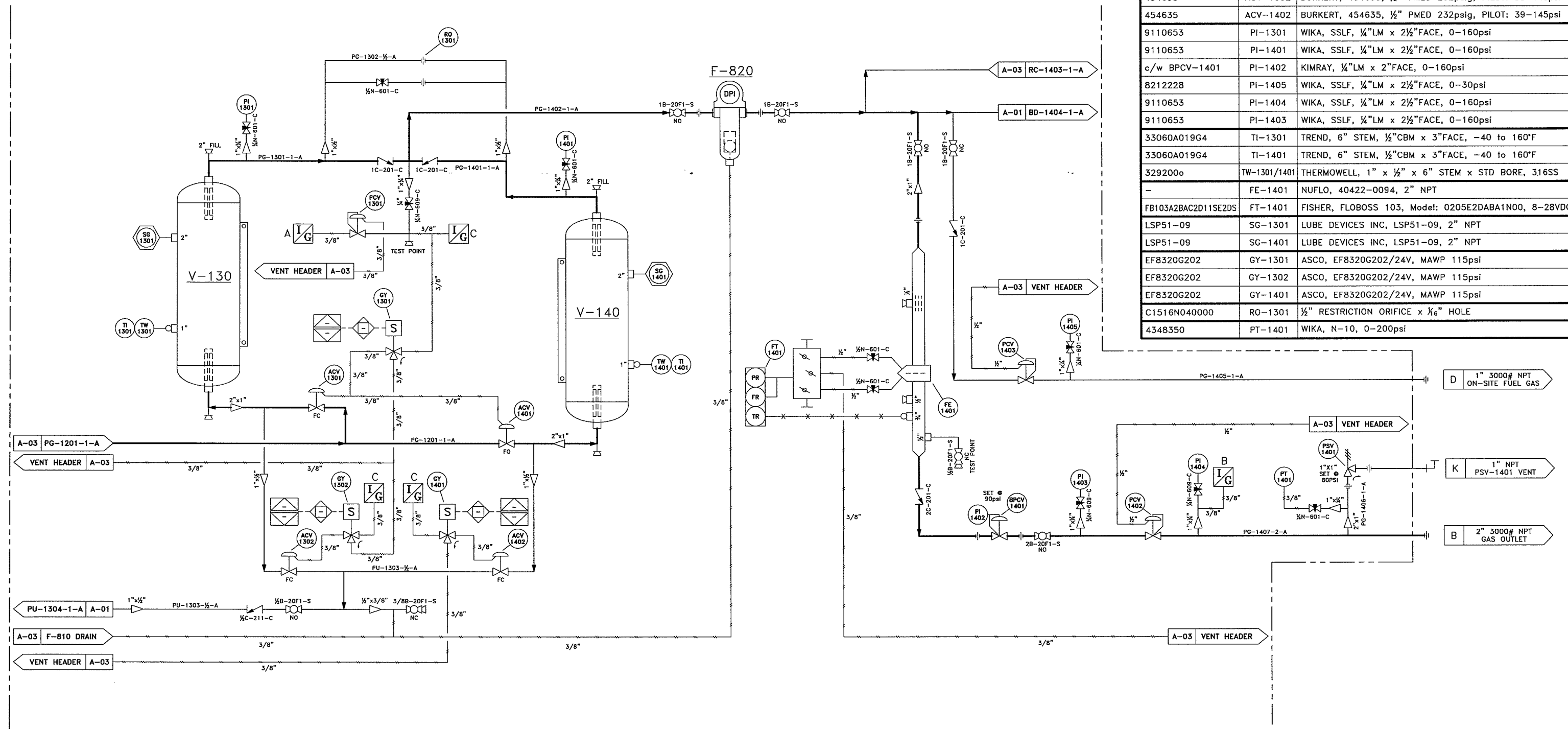
V-130 DRYING TOWER
 Manufacturer: PYRAMID FABRICATORS
 Size: 8.625" x 4'-0" S/S
 MAWP: 550psi @ 600°F
 MDMT: -20°F @ 550psi
 CRN: OH5228.23
 0.0625" C.A.
 I/C: BULLETA848
 S/N: 08-3200-0000-A

V-140 DRYING TOWER
 Manufacturer: PYRAMID FABRICATORS
 Size: 8.625" x 4'-0" S/S
 MAWP: 550psi @ 600°F
 MDMT: -20°F @ 550psi
 CRN: OH5228.23
 0.0625" C.A.
 I/C: BULLETA848
 S/N: 08-3200-0000-F

F-820 FILTER
 Manufacturer: FLAIR
 Model: HF-90
 MAWP: 232psi @ 149°F
 Element: HFD-90
 CRN: OH5142.51263
 c/w DPI
 I/C: HF90

BILL of MATERIAL

ITEM CODE	ITEM TAG	DESCRIPTION
9117051V06E1-80	PSV-1401	MERCER, 91-17D51V06E1, 1"x1" NPT, SET @ 80psi
67CFR362SPEC	PCV-1301	FISHER, 67CFR-362SC, 1/4" NPT, S.R. 0-35psi
AAA	BPCV-1401	KIMRAY, 2" NPT, 212 SGT-BP, MAWP: 175psi
627-579	PCV-1402	FISHER, 2" NPT, 627-579, S.R. 70-150psig, 1/2" ORIFICE
627-496	PCV-1403	FISHER, 1" NPT, 627-496, S.R. 5-20psig, 1/2" ORIFICE
454637	ACV-1301	BURKERT, 454637, 1" PMED 232psi, PILOT: 27-145psi
454599	ACV-1401	BURKERT, 454599, 1" PMED 232psi, PILOT: 29-145psi
454635	ACV-1302	BURKERT, 454635, 1/2" PMED 232psig, PILOT: 39-145psi
454635	ACV-1402	BURKERT, 454635, 1/2" PMED 232psig, PILOT: 39-145psi
9110653	PI-1301	WIKA, SSLF, 1/4"LM x 2 1/2"FACE, 0-160psi
9110653	PI-1401	WIKA, SSLF, 1/4"LM x 2 1/2"FACE, 0-160psi
c/w BPCV-1401	PI-1402	KIMRAY, 1/4"LM x 2"FACE, 0-160psi
8212228	PI-1405	WIKA, SSLF, 1/4"LM x 2 1/2"FACE, 0-30psi
9110653	PI-1404	WIKA, SSLF, 1/4"LM x 2 1/2"FACE, 0-160psi
9110653	PI-1403	WIKA, SSLF, 1/4"LM x 2 1/2"FACE, 0-160psi
33060A019G4	TI-1301	TREND, 6" STEM, 1/2"CBM x 3"FACE, -40 to 160°F
33060A019G4	TI-1401	TREND, 6" STEM, 1/2"CBM x 3"FACE, -40 to 160°F
329200o	TW-1301/1401	THERMOWELL, 1" x 1/2" x 6" STEM x STD BORE, 316SS
-	FE-1401	NUFLO, 40422-0094, 2" NPT
FB103A2BAC2D11SE2DS	FT-1401	FISHER, FLOBOSS 103, Model: 0205E2DABA1N00, 8-28VDC
LSP51-09	SG-1301	LUBE DEVICES INC, LSP51-09, 2" NPT
LSP51-09	SG-1401	LUBE DEVICES INC, LSP51-09, 2" NPT
EF8320G202	GY-1301	ASCO, EF8320G202/24V, MAWP 115psi
EF8320G202	GY-1302	ASCO, EF8320G202/24V, MAWP 115psi
EF8320G202	GY-1401	ASCO, EF8320G202/24V, MAWP 115psi
C1516N040000	RO-1301	1/2" RESTRICTION ORIFICE x 1/8" HOLE
4348350	PT-1401	WIKA, N-10, 0-200psi



GENERAL NOTES:
 SEE-DRAWING# PID-SAA08240-A-01

REV.	DESCRIPTION	BY	DATE	CHKD	APPD
1	AS BUILT	SDC	07-18-08		
0	ISSUED FOR CONSTRUCTION	SDC	06-24-08	SDC	GB

PC COMPRESSION INC.
 2308-8th Street
 Nisku Alberta
 T9E 7Z2
 Office: 780.955.4292
 Fax: 780.955.4294
 Toll Free: 866.955.4292

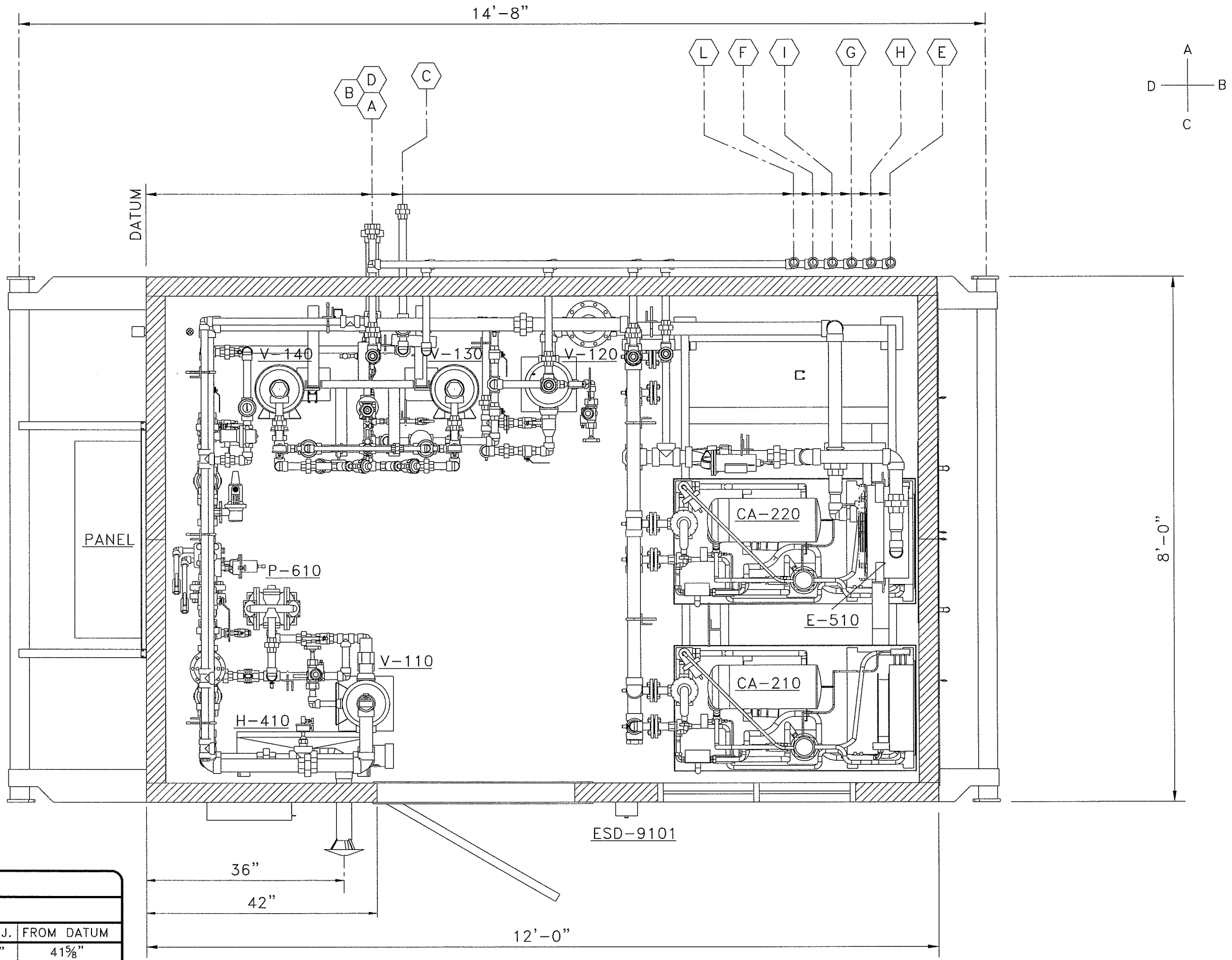
Drawn by: S.D.C.
 Date: 04-15-08
 Checked by: SDC
 Approved by: SDC
 Scale: N.T.S.

222 LP SAA-SCROLL SERIES
 SZ022C3A w/ DESICCANT TOWERS
 SKID MOUNTED, SWEET SERVICE

Company: **HUSKY ENERGY**

Quote/Ref. NO.: -
 JOB NO.: I-980
 Unit NO.: SAA-08240
 Drawing NO.: PID-SAA08240-A-04
 Rev: 1

P:\PC Compression\Drafting\Work-internal\1-980 SAA-08240 SAA-222-LP Husky AB\B-GA-SAA08240 AB.dwg, 7/18/2008 12:44:13 PM, scottpc, Property of PC Compression Inc. Duplication or transmittal without written consent is prohibited.



PACKAGE WEIGHT: 9,200 lbs / 4,175 Kg

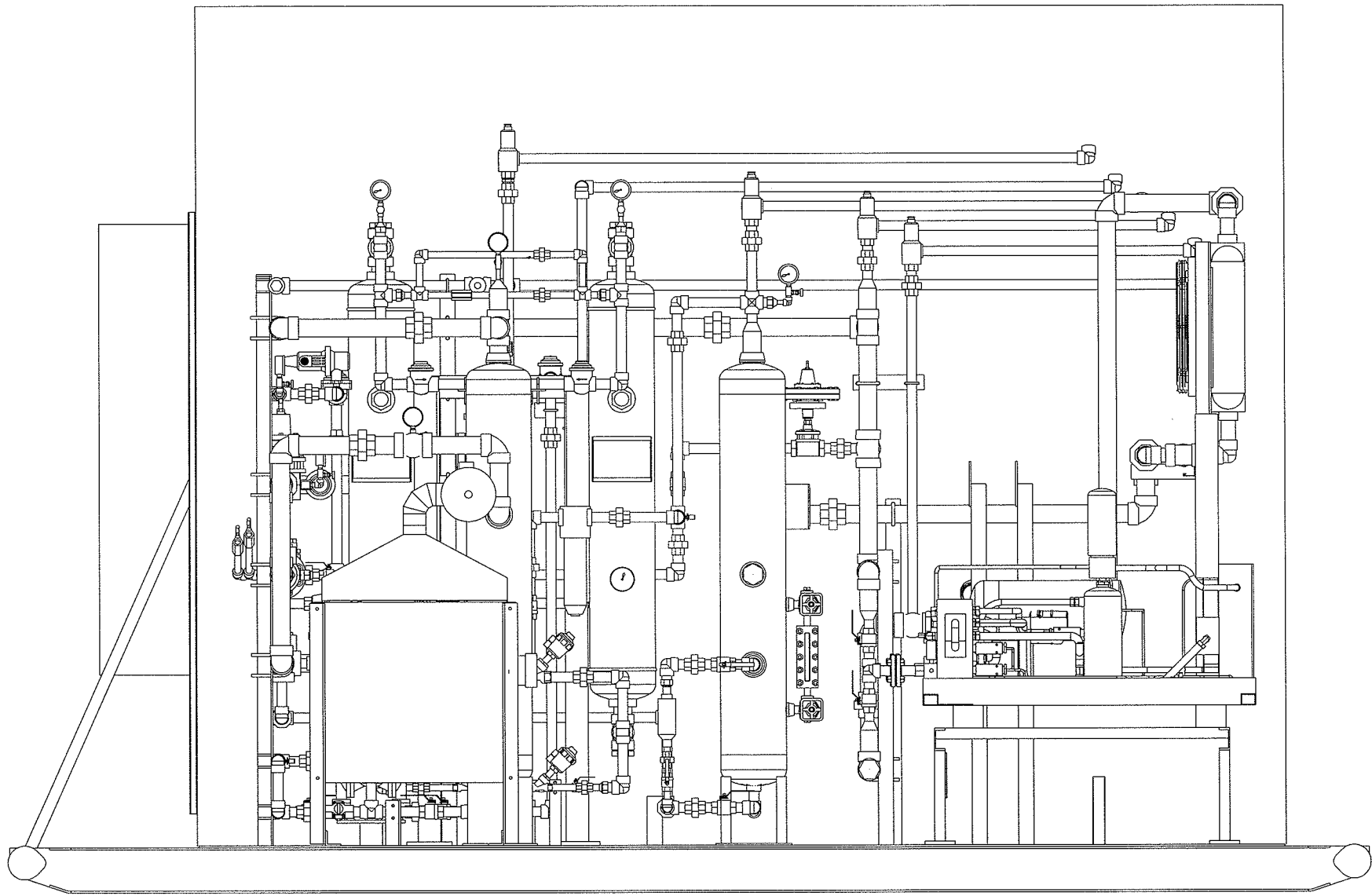
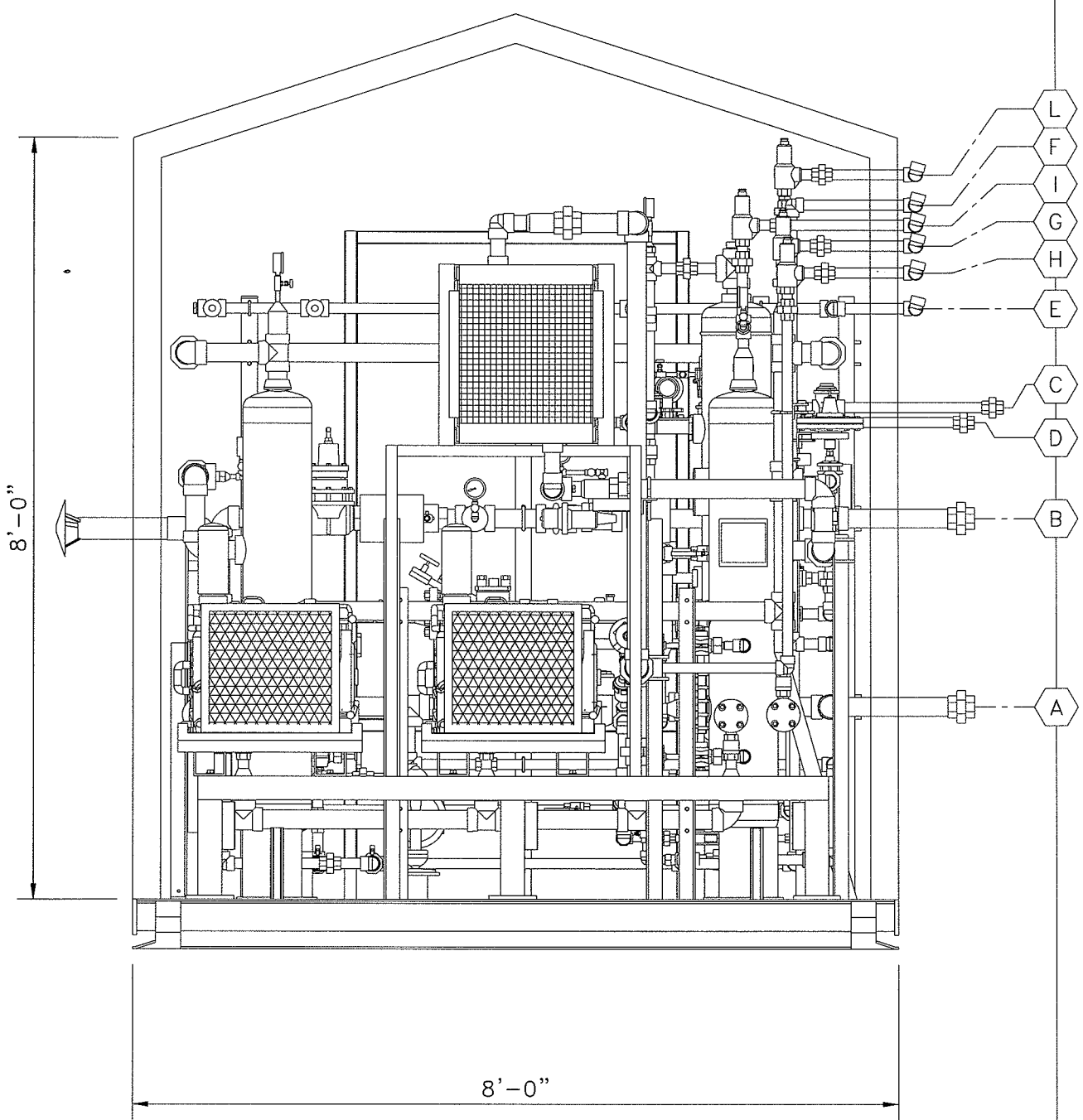
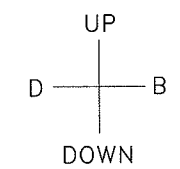
CUSTOMER CONNECTIONS

ITEM	DESCRIPTION	SIZE	ELEVATION	PROJ.	FROM DATUM
A	GAS INLET	2" 3000# NPT	30 ⁵ / ₈ " FBOS	10"	41 ⁵ / ₈ "
B	GAS OUTLET	2" 3000# NPT	54 ¹ / ₂ " FBOS	10"	41 ¹ / ₂ "
C	VESSEL DRAIN LINE	1" 3000# NPT	69 ⁵ / ₈ " FBOS	9 ¹ / ₂ "	47 ⁵ / ₈ "
D	ON-SITE FUEL GAS	1" 3000# NPT	66 ¹ / ₂ " FBOS	9 ¹ / ₂ "	41 ¹ / ₂ "
E	INSTR. VENT HEADER	1" 2000# NPT	80 ³ / ₄ " FBOS	2 ¹ / ₄ "	128 ⁷ / ₈ "
F	PRV-1101 VENT	1" 2000# NPT	94 ¹ / ₄ " FBOS	2 ¹ / ₄ "	120 ¹ / ₂ "
G	PSV-1101 VENT	1" 2000# NPT	88 ¹ / ₄ " FBOS	2 ¹ / ₄ "	124 ¹ / ₂ "
H	PSV-2101 VENT	1" 2000# NPT	85 ¹ / ₄ " FBOS	2 ¹ / ₄ "	126 ¹ / ₄ "
I	PSV-1201 VENT	1" 3000# NPT	91 ¹ / ₄ " FBOS	2 ¹ / ₄ "	122 ³ / ₈ "
L	PSV-1401 VENT	1" 3000# NPT	97 ⁵ / ₈ " FBOS	2 ¹ / ₄ "	118"

PLAN VIEW
SCALE 1:20

		Drawn by: S.D.C. Date: 05-01-07 Checked by: SDC Approved by: SDC Scale: 1:20	222 LP SAA-SCROLL SERIES SZ022C3A w/ 8" DRYING TOWERS SKID MOUNTED, SWEET SERVICE	
2308-8th Street Nisku Alberta T9E 7Z2		Office: 780.955.4292 Fax: 780.955.4294 Toll Free: 866.955.4292		Company: HUSKY ENERGY
1 AS BUILT SDC 07-18-08 0 ISSUED FOR CONSTRUCTION SDC 06-24-08 SDC BH REV. DESCRIPTION BY DATE CHKD/APPD	Quote/Ref. NO.: JOB NO.: 1-980 Unit NO.: SAA-08240 Drawing NO.: GA-SAA08240-B-01 Rev.: 1			

P:\PC Compression\Drafting\Work-Internal\1-980_SAA-08240_SAA-222-LP_Husky AB\B-GA-SAA08240_AB.dwg, 7/18/2008 12:45:17 PM, scottcps, Property of PC Compression Inc. Duplication or transmission without written consent is prohibited.



'C' ELEVATION VIEW
SCALE 1:20

REV.	DESCRIPTION	BY	DATE	CHKD	APPD
1	AS BUILT	SDC	07-18-08		
0	ISSUED FOR CONSTRUCTION	SDC	06-24-08	SDC	BH

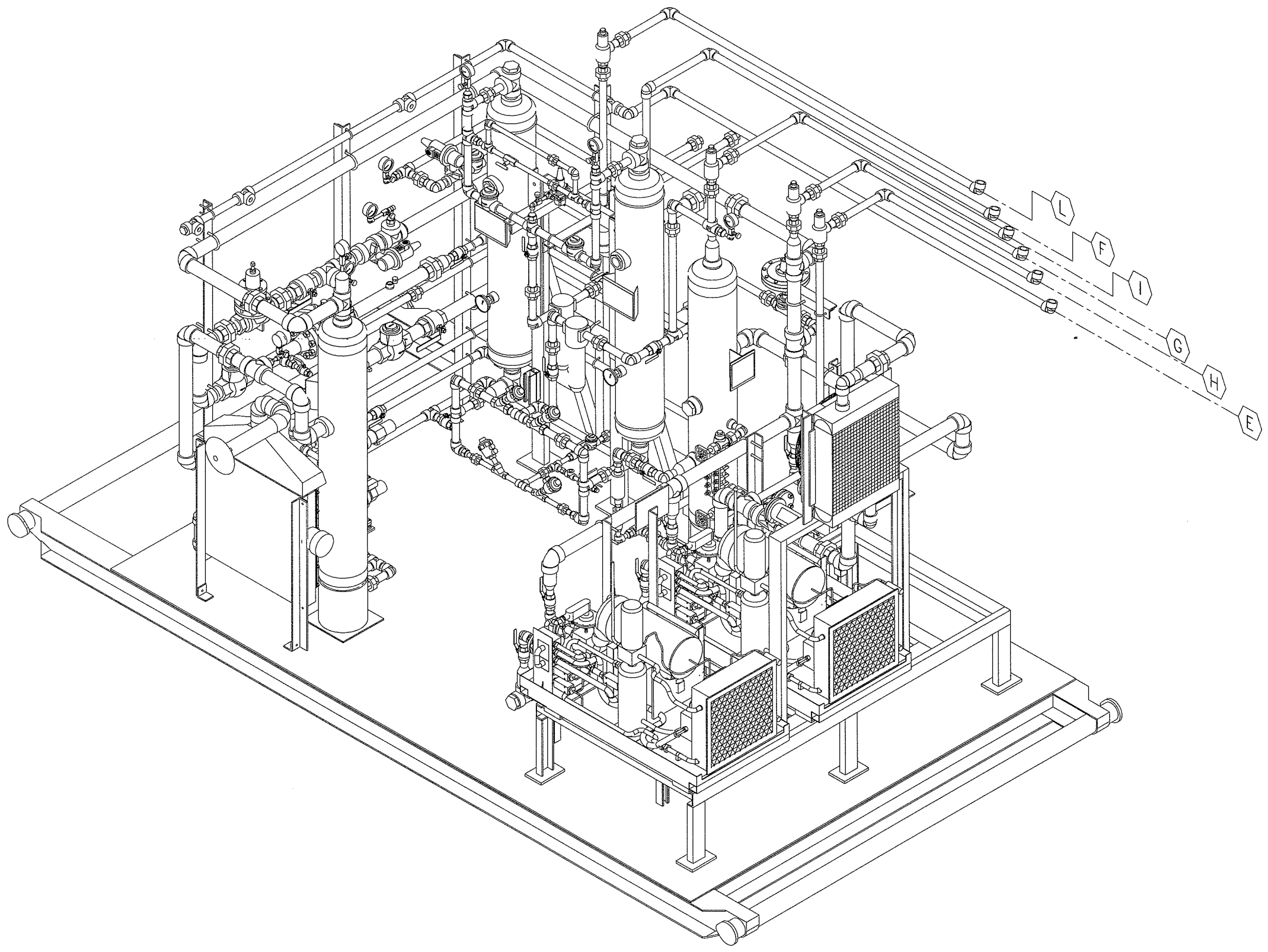
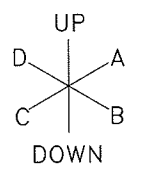


2308-8th Street
Nisku Alberta
T9E 7Z2

Office: 780.955.4292
Fax: 780.955.4294
Toll Free: 866.955.4292

Drawn by: S.D.C.	222 LP SAA-SCROLL SERIES SZ022C3A w/ 8" DRYING TOWERS SKID MOUNTED, SWEET SERVICE				
Date: 05-01-07					
Checked by: <i>SDC</i>					
Approved by: <i>SDC</i>	Company: HUSKY ENERGY				
Scale: 1:20	Quote/Ref. NO.:	JOB NO.:	Unit NO.:	Drawing NO.:	Rev.:
	1-980	SAA-08240	GA-SAA08240-B-02	1	

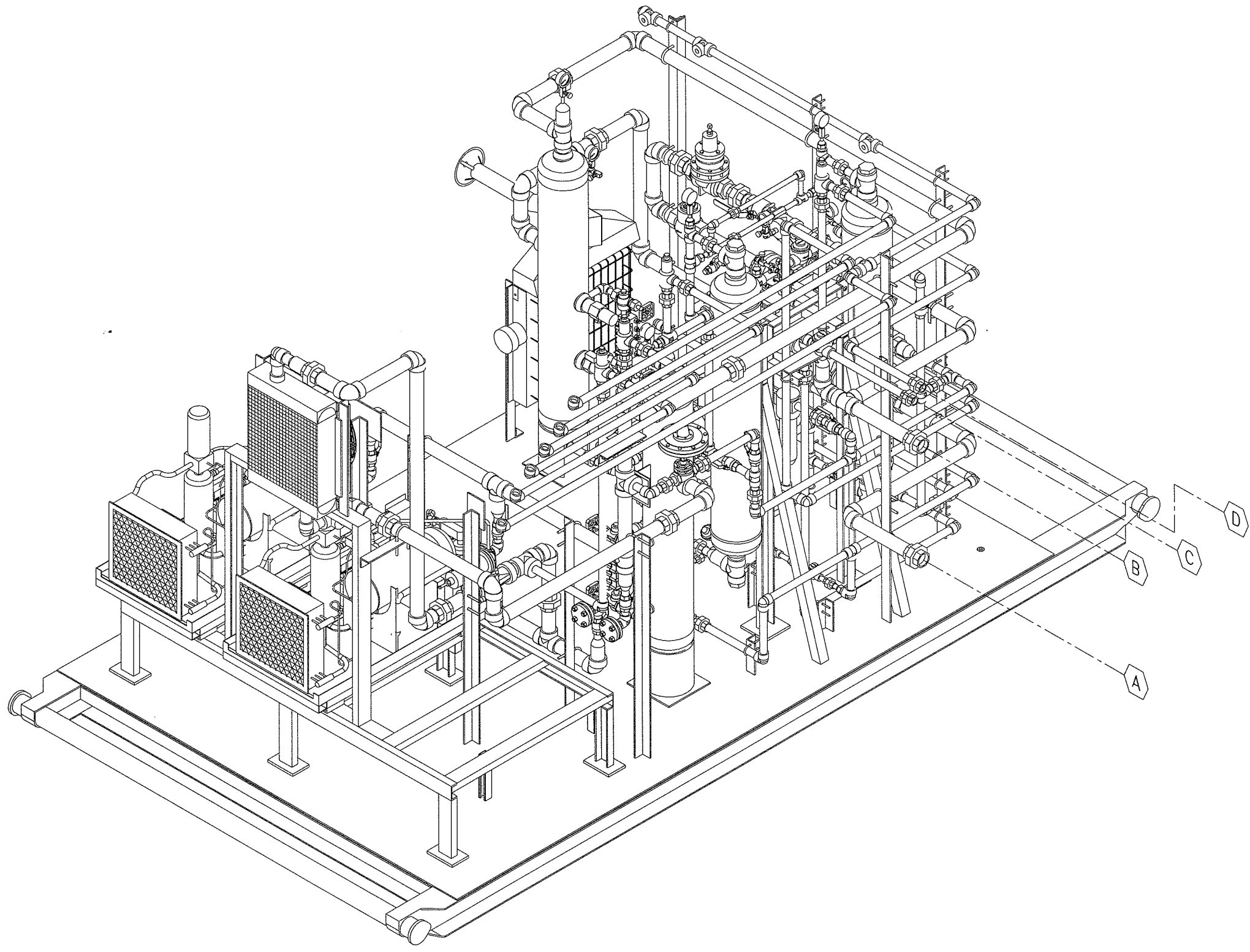
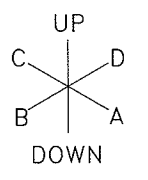
P:\PC Compression\Drafting\Work-Internal\1-980 SAA-08240 SAA-222-LP Husky AB\B-GA-SAA08240 AB.dwg, 7/18/2008 12:45:52 PM, scattipc, Property of PC Compression Inc. Duplication or transmittal without written consent is pro



'SE' ISOMETRIC VIEW
SCALE 1:20

				Drawn by: S.D.C. Date: 05-01-07 Checked by: SDC Approved by: SDC		222 LP SAA-SCROLL SERIES SZ022C3A w/ 8" DRYING TOWERS SKID MOUNTED, SWEET SERVICE				
2308-8th Street Nisku Alberta T9E 7Z2				Office: 780.955.4292 Fax: 780.955.4294 Toll Free: 866.955.4292		Company: HUSKY ENERGY				
1	AS BUILT	SDC	07-18-08			Quote/Ref. NO.:	JOB NO.:	Unit NO.:	Drawing NO.:	Rev.:
0	ISSUED FOR CONSTRUCTION	SDC	06-24-08	SDC	BH	1-980	SAA-08240	GA-SAA08240-B-03		1
REV.	DESCRIPTION	BY	DATE	CHKD	APPD					

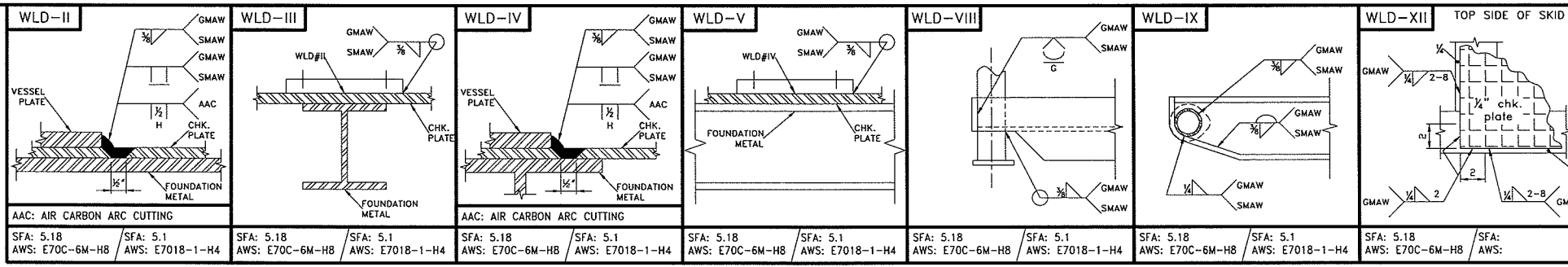
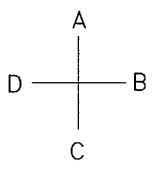
P:\PC Compression\Drafting\Work-Internal\980_SAA-08240_SAA-222-LP_Husky AB\B-GA-SAA08240_AB.dwg, 7/18/2008 12:46:35 PM, scottpc, Property of PC Compression Inc. Duplication or transmittal without written consent is pro



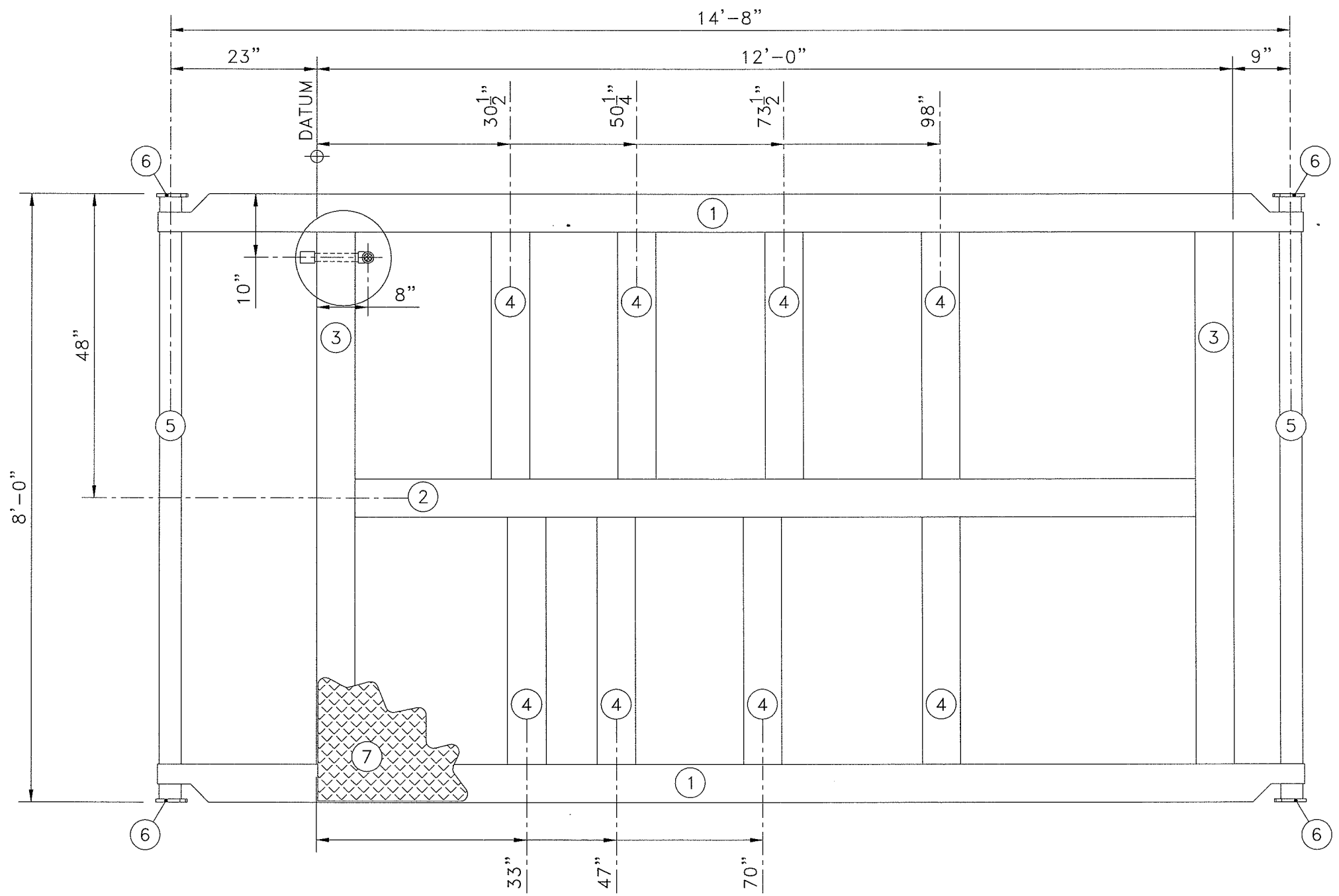
'NE' ISOMETRIC VIEW
SCALE 1:20

				Drawn by: S.D.C. Date: 05-01-07 Checked by: <i>SDC</i> Approved by: <i>SDC</i>		222 LP SAA-SCROLL SERIES SZ022C3A w/ 8" DRYING TOWERS SKID MOUNTED, SWEET SERVICE						
2308-8th Street Nisku, Alberta T9E 7Z2				Office: 780.955.4292 Fax: 780.955.4294 Toll Free: 866.955.4292		Company: HUSKY ENERGY						
1 AS BUILT 0 ISSUED FOR CONSTRUCTION		SDC 07-18-08 SDC 06-24-08		SDC BH		Quote/Ref. NO.: 1-980		Unit NO.: SAA-08240		Drawing NO.: GA-SAA08240-B-04		Rev.: 1
REV. DESCRIPTION		BY DATE		CHKD APPD		Scale: 1:20						

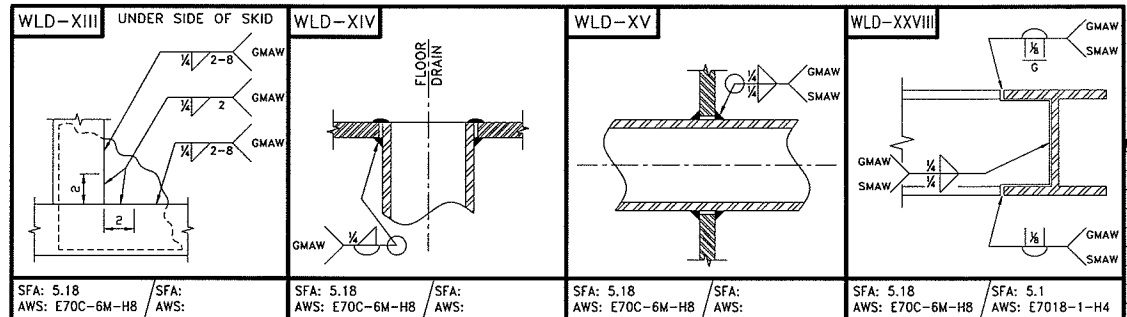
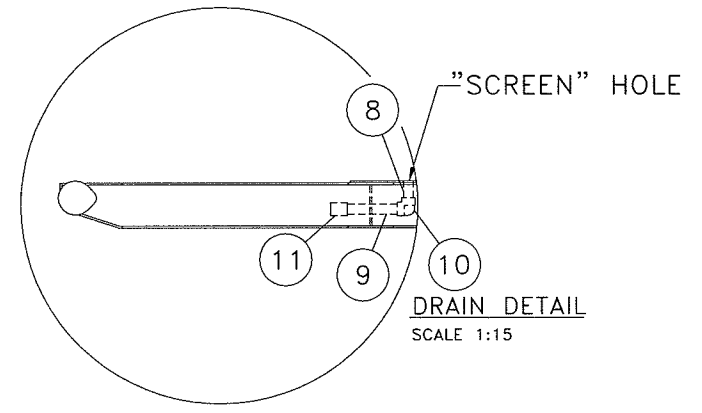
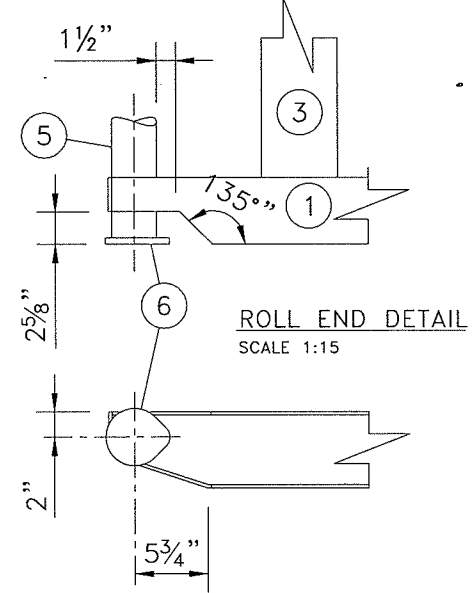
P:\PC Compression\Drafting\Work-internal\980_SAA-08240_SAA-222-LP_Husky AB\0-SKD-SAA08240_AB.dwg, 7/18/2008 12:48:14 PM, scoptec, Property of PC Compression Inc. Duplication or transmittal without written consent is p



BILL of MATERIAL					
ITEM CODE	MARK	Q'TY	DESCRIPTION	MATERIAL	WEIGHT
463081018	1	2	W6x15# x 15'-7"lg (SEE ROLL END DETAILS)	A36/44W	465 lbs
463081018	2	1	W6x15# x 11'-5 1/2"lg	A36/44W	172 lbs
463081018	3	2	W6x15# x 7'-5 1/2"lg	A36/44W	225 lbs
463081018	4	8	W6x15# x 3'-8 1/2"lg	A36/44W	444 lbs
462001043	5	2	3" SCH 80 SMLS PIPE x 7'-11"lg	SA-106B	162 lbs
463850144	6	4	1/2" thk. ROLL END CAPS	SA-36	10 lbs
463001110	7	96sq'	1/4" CHECKPLATE (7'-11 1/2" x 11'-11 1/2")	SA-36	1,080 lbs
462101191	8	1	1" SCH 80 NIPPLE x 3"lg (TOE)	SA-106B	0.5 lbs
462101204	9	1	1" SCH 80 NIPPLE x 8"lg (TBE)	SA-106B	1.4 lbs
462501006	10	1	1" 2000# NPT ELBOW	SA-105	1.1 lbs
462501262	11	1	1" 2000# NPT FULL COLLAR	SA-105	0.4 lbs
				TOTAL	2,561 lbs



WELDERS NOTE:
 - 1/8" HAS BEEN TAKEN OFF OF CUT LENGTHS FOR WELD GAP PURPOSES



REV.	DESCRIPTION	BY	DATE	CHKD	APPD
1	AS BUILT		07-18-08		
0	ISSUED FOR CONSTRUCTION		10-23-06	SDC	GB



2308-8th Street
 Nisku Alberta
 T9E 7Z2

Drawn by: M.E.W.
 Date: 04-06-04
 Checked by: SDC
 Approved by: SDC
 Scale: 1:20
 Office: 780.955.4292
 Fax: 780.955.4294
 Toll Free: 866.955.4292

222 LP SAA-SCROLL SERIES
SZ022C3A w/ DESICCANT TOWERS
SKID MOUNTED, SWEET SERVICE

Company: HUSKY ENERGY
 Quote/Ref. NO.: -
 JOB NO.: 1-980
 Unit NO.: SAA-08240
 Drawing NO.: SKD-SAA08240-D-01
 Rev.: 1

P:\PC_Compression\Drafting\Work-Internal\980_SAA-08240_SAA-222-LP_Husky AB\E-SDK-SAA08240_AB.dwg, 7/18/2008 12:48:52 PM, sctfpc, Property of PC Compression Inc. Duplication or transmittal without written consent is prohibited.


SHUTDOWN KEY

OUTPUT DEVICES

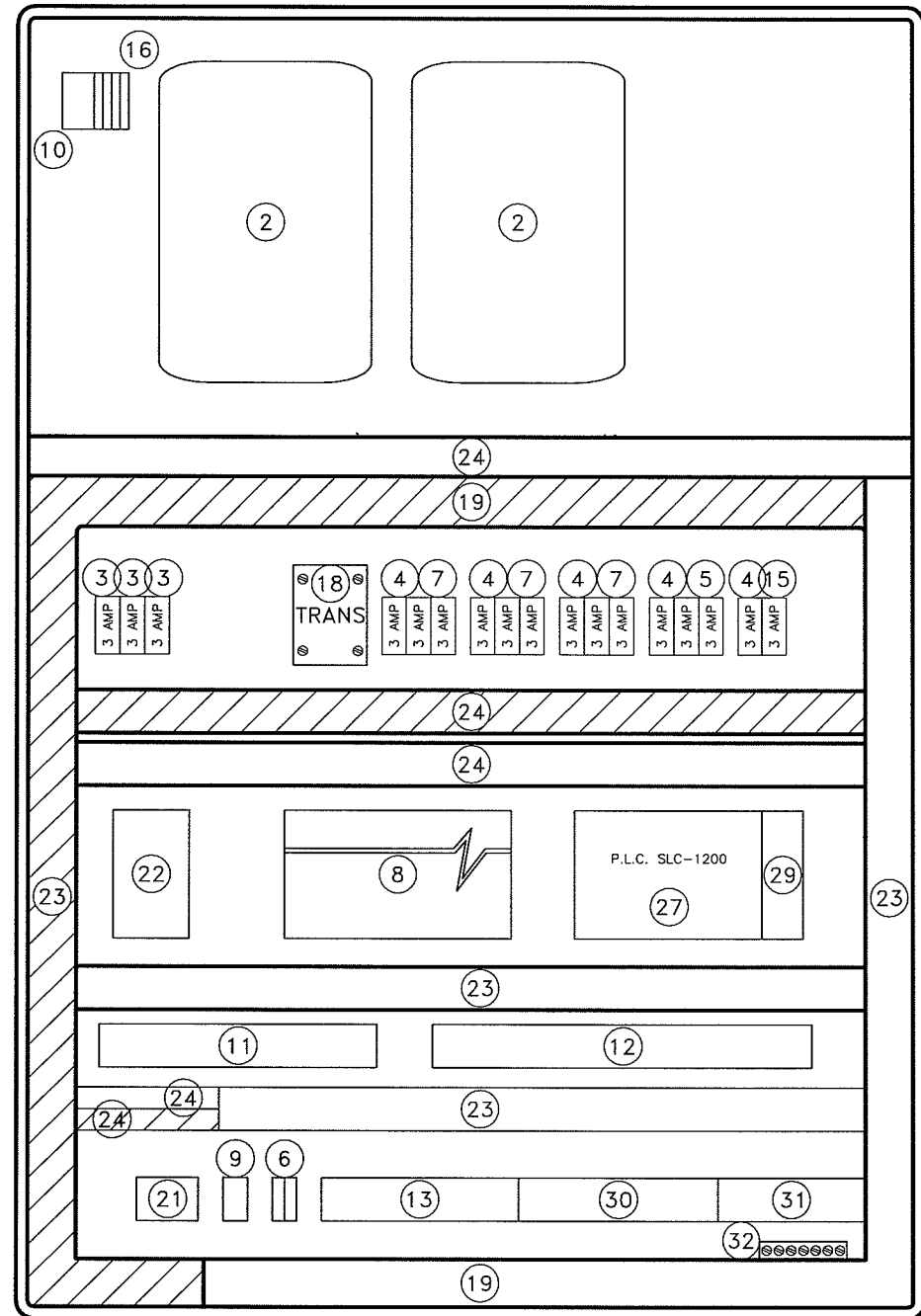
VALVE NORMAL	TAG	INPUT DEVICES																									
		I:0.0/00	I:0.0/01	I:0.0/02	I:0.0/03	I:0.0/04	I:0.0/05	I:0.0/06	I:0.0/07	I:0.0/08	I:0.0/09	I:0.0/10	I:0.0/11	I:0.0/12	I:0.0/13	I:0.0/14	I:0.0/15	I:0.0/16	I:0.0/17	I:0.0/18	I:0.0/19	I:0.0/20	I:0.0/21	I:0.0/22	I:0.0/23	I:1.0	
	V.F.D. #1 FAULT RESET TO TERM #25 VFD-210	S	S	S		S									S	S											X
	V.F.D. #1 RUN OUTPUT TO TERM #27 VFD-210	S	S	S		S	R							S	S												X
	V.F.D. #1 RUN TO FULL SPEEDTERM VFD-210						TD																				
	V.F.D. #2 FAULT RESET TO TERM #25 VFD-220		S						S	S	S			S	S												X
	V.F.D. #2 RUN OUTPUT TO TERM #27 VFD-220		S					S	S	S	R		S	S													X
	V.F.D. #2 RUN TO FULL SPEEDTERM VFD-220										TD																
	V.F.D. #3 FAULT RESET TO TERM #25 VFD-230		S											S	S	S	S				S						X
	V.F.D. #3 RUN OUTPUT TO TERM #27 VFD-230		S											S	S	S	S				S	R					X
	COMPRESSOR #1 CONTROL M-210						SB	R						S	S												
	COMPRESSOR #2 CONTROL M-220								SB	R			S	S													
	COMPRESSOR #3 CONTROL M-230												S	S								SB	R				
	GAS COOLING FAN CONTROL D-510					R					R		S	S								R					
	GAS DRYER SOV #1 GY-1401												S	S													
	GAS DRYER SOV #2 GY-1301												S	S													
	GAS DRYER SOV #3 GY-1302												S	S													
	V.F.D. #1 ANALOG																										CS
	V.F.D. #2 ANALOG																										CS

LEGEND

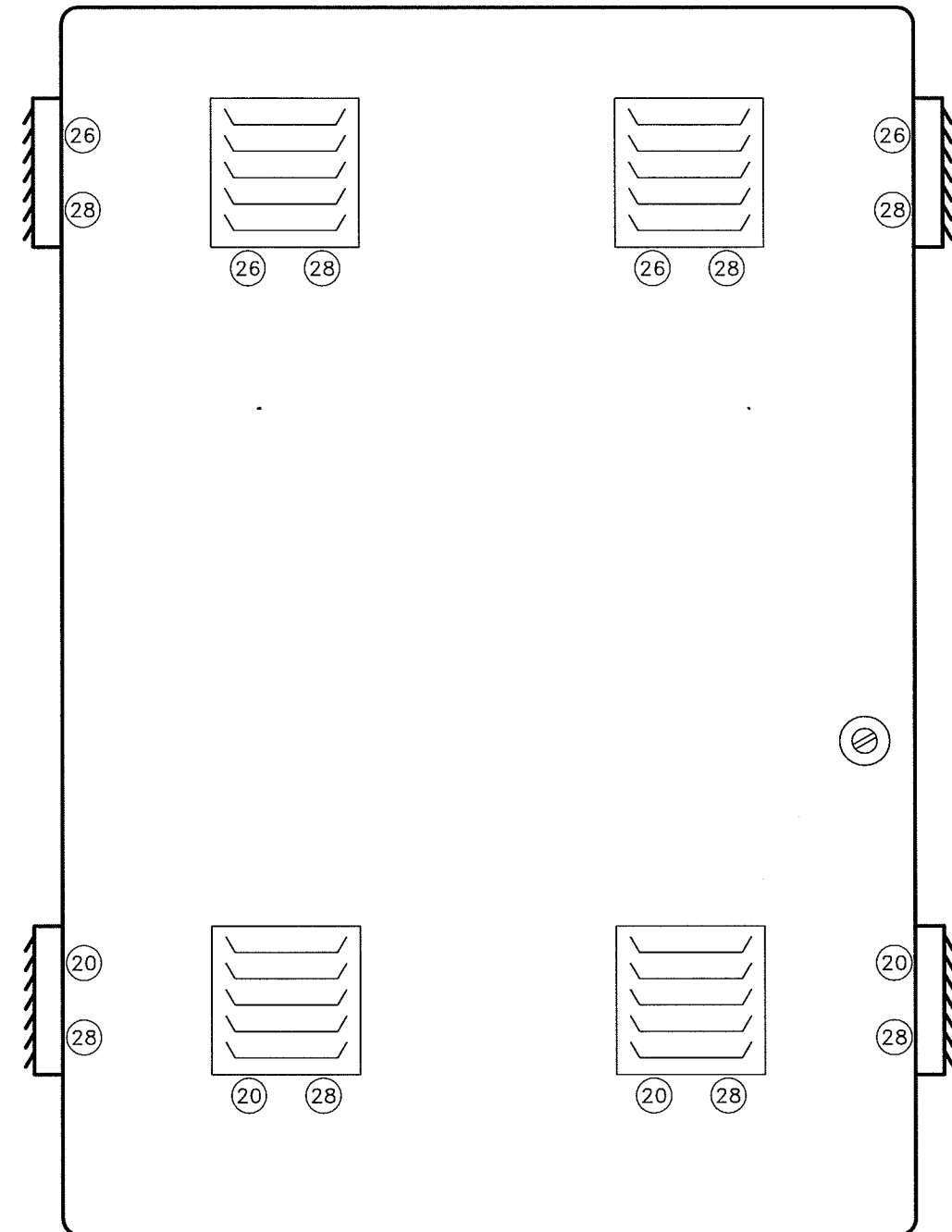
S	SHUTDOWN
R	RUN
TD	TIME DELAY (120 SEC.)
A	ALARM
SB	STANDBY
CS	CONTROL SPEED

<table border="1"> <tr> <th>REV.</th> <th>DESCRIPTION</th> <th>BY</th> <th>DATE</th> <th>CHKD</th> <th>APPD</th> </tr> <tr> <td>1</td> <td>AS BUILT</td> <td>SDC</td> <td>07-18-08</td> <td></td> <td></td> </tr> </table>	REV.	DESCRIPTION	BY	DATE	CHKD	APPD	1	AS BUILT	SDC	07-18-08			 <p>2308-8th Street Nisku Alberta T9E 7Z2</p> <p>Office: 780.955.4292 Fax: 780.955.4294 Toll Free: 866.955.4292</p>	Drawn by: M.E.W. Date: 05-21-04 Checked by: <i>SDC</i> Approved by: <i>SDC</i> Scale: N.T.S.	222 LP SAA-SCROLL SERIES SZ022C3A w/ DESICCANT TOWERS SKID MOUNTED, SWEET SERVICE			Company: HUSKY ENERGY	Quote/Ref. NO.: -	JOB NO.: 1-980	Unit NO.: SAA-08240	Drawing NO.: SDK-SAA08240-E-01	Rev.: 1
	REV.	DESCRIPTION	BY	DATE	CHKD	APPD																	
	1	AS BUILT	SDC	07-18-08																			
	<p style="text-align: center;">1</p>																						
	<p style="text-align: center;">1</p>																						
<p style="text-align: center;">1</p>																							
<p style="text-align: center;">1</p>																							

P:\PC Compression\Drafting\Work-Internal\1-980 SAA-08240 SAA-222-LP_Husky AB\G-ELC-SAA08240 AB.dwg, 7/18/2008 12:49:40 PM, scottccc, Property of PC Compression Inc. Duplication or transmittal without written consent is prohibited.



VIEW INSIDE PANEL



BILL of MATERIAL

MARK	Q'TY	DESCRIPTION
1	1	Hoffman C-SD 6036 12 Enclosure
2	2	V.F.D. Commander SK
3	3	Power Lugs Ferraz FSPDB 3A
4	6	Fuse Blocks Ferraz USM2
5	9	Fuse ATQR 2
6	1	120 VAC Power Term.
7	9	Fuse ATQR 20
8	1	Power Supply Phoenix Quint 30A
9	1	A-TEMNC Heating T-Stat
10	1	A-TEMNO Cooling T-Stat
11	1	24 VDC Power Term.
12	1	Discreet I/P Term.
13	1	Discreet O/P Term.
14		
15	4	Fuse ATM-1
16	4	WDU-4
17	-	
18	1	MT0500A Transformer
19	-	40 * 100 Wire Duct
20	4	A-FLT44 Filter
21	9	Weidmuller WDU 6 Motor Terminals
22	1	100 Watt Heater
23	-	60 x 100 Wire Duct
24	-	25 x 60 Wire Duct
25	-	
26	4	Cooling Fan 24 VDC
27	1	1762-L40-BXB 1200 PLC
28	8	A-VK44 Vented Louver
29	1	1762-IF20F2 Analog Card
30	1	Analog I/P & O/P Term.
31	1	Flow Boss / PT-1401 Terminals
32	1	Ground Strip



2308-8th Street
Nisku Alberta T9E 7Z2
Office: 780.955.4292
Fax: 780.955.4294
Toll Free: 866.955.4292

PC JOB NO.: 1-980
PC Unit No.: SAA-08240

Confidential

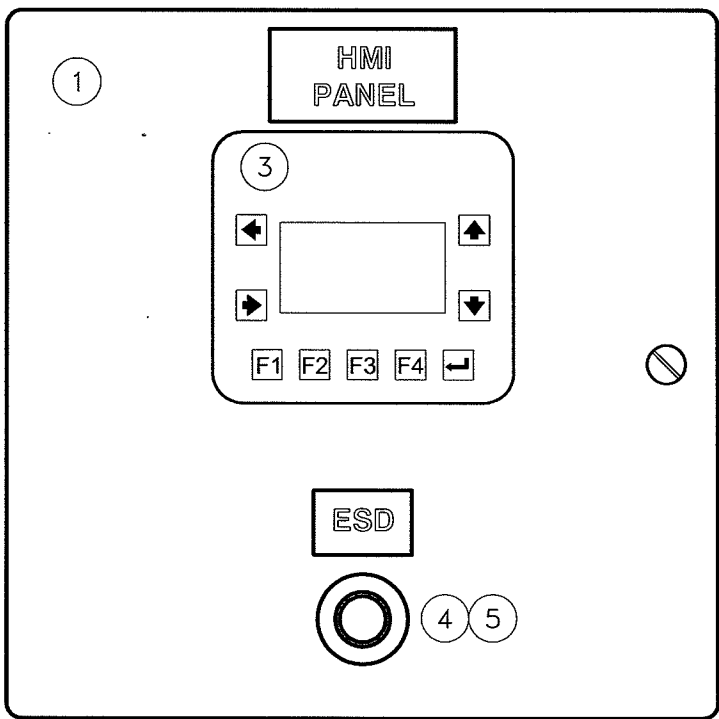
This drawing is the property of and contains confidential and proprietary information belonging to Pyramid Corporation. It must be returned immediately upon request and must not be copied in whole or in part nor the information shown thereon disclosed to third parties or otherwise used except as specifically permitted by Pyramid Electric Corporation

				V.F.D. PC COMPRESSOR TWO OR THREE SCROLL DRIVE			
				PANEL LAYOUT COMMANDER SK			
DWG. NO.	REV.	DATE	DESCRIPTION	BY	APPD	DATE	REV.
	I	07-18-08	AS BUILT	PCCI		July 27/2005	01
REFERENCE DRAWINGS				DRAWING NO. PC072705-00-0001			

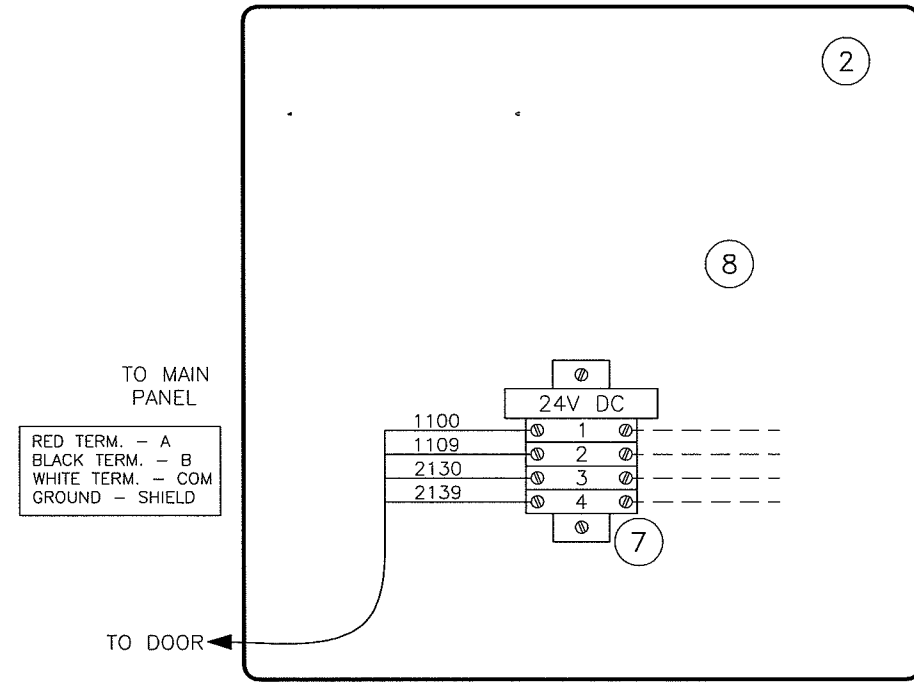


P:\PC Compression\Drafting\Work-Internal\1-980 SAA-08240 SAA-222-LP Husky AB\G-ELC-SAA08240 AB.dwg, 7/18/2008 12:49:50 PM, scottcpc, Property of PC Compression Inc. Duplication or transmittal without written consent is pr

BILL of MATERIAL		
MARK	Q'TY	DESCRIPTION
1	1	Hoffman C-SD-12 126LG
2	1	Hoffman C-P 12 12
3	1	Allen Bradley 300 Micro 2711-M3A 18L1
4	1	800T-FX6D4
5	1	800T-XD2P
6	1	1761-CBI-HM 10 Allen Bradley Calbe
7	4	WD-4 Terminal



FRONT OF DOOR



INSIDE PANEL

2308-8th Street Office: 780.955.4292
 Nisku Alberta Fax: 780.955.4294
 T9E 7Z2 Toll Free: 866.955.4292

PC JOB NO.: 1-980 PC Unit NO.: SAA-08240

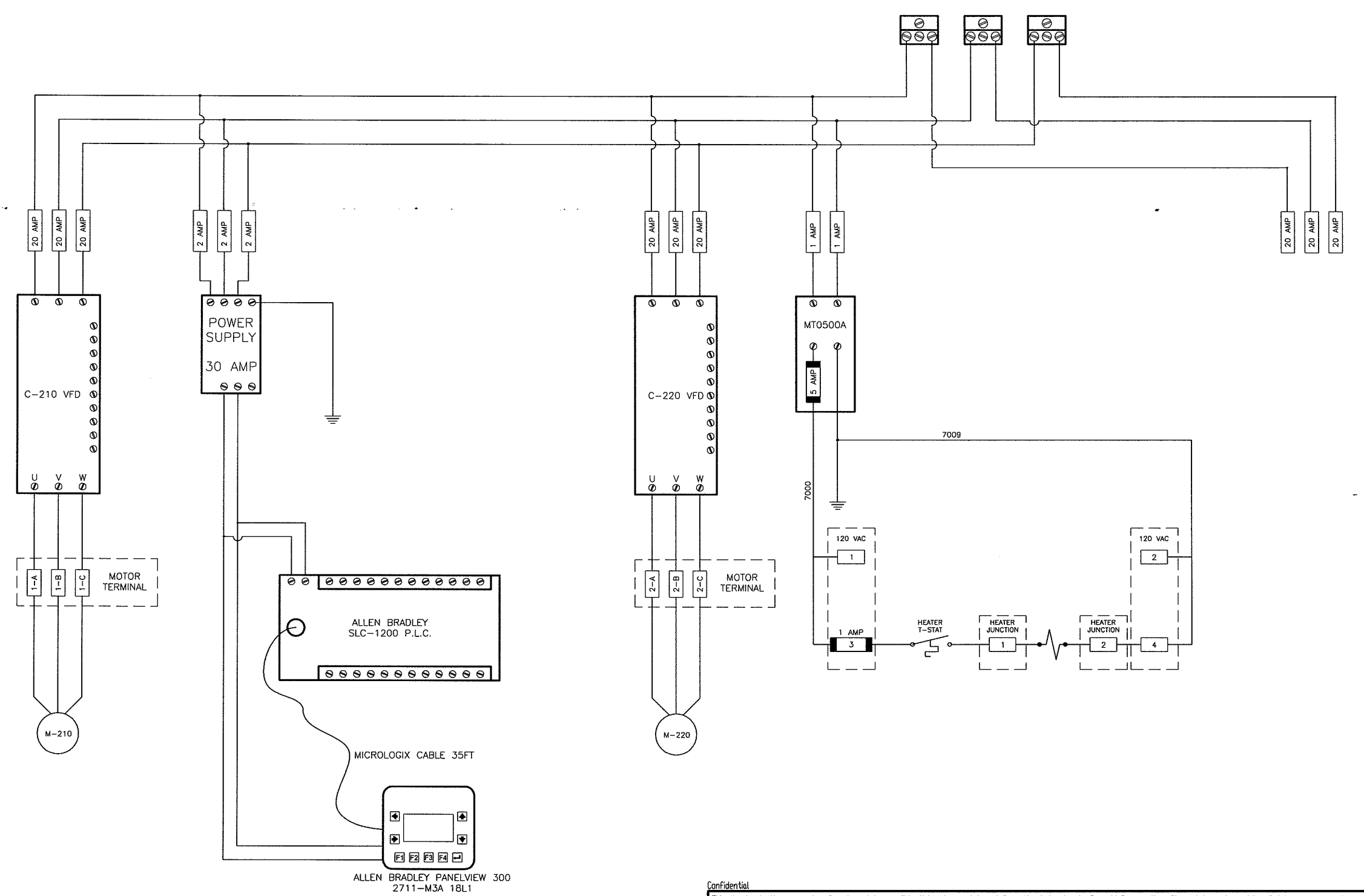
Confidential

This drawing is the property of and contains confidential and proprietary information belonging to Pyramid Corporation. It must be returned immediately upon request and must not be copied in whole or in part nor the information shown thereon disclosed to third parties or otherwise used except as specifically permitted by Pyramid Electric Corporation

				V.F.D. PC COMPRESSOR TWO OR THREE SCROLL DRIVE			
				HMI PANEL LAYOUT			
DWGNO.	REV.	DATE	DESCRIPTION	BY	APPD	DATE	REV.
	I	07-18-08	AS BUILT	PCCI		July 27/2005	01
						SCALE	DRAWING NO.
							PC072705-00-0002



P:\PC Compression\Drafting\Work-Internal\980 SAA-08240 SAA-222-LP Husky AB\G-ELC-SAA08240 AB.dwg, 7/18/2008 12:50:01 PM, scallepc, Property of PC Compression Inc. Duplication or transmittal without written consent is pr



Confidential

This drawing is the property of and contains confidential and proprietary information belonging to Pyramid Corporation. It must be returned immediately upon request and must not be copied in whole or in part nor the information shown thereon disclosed to third parties or otherwise used except as specifically permitted by Pyramid Electric Corporation

V.F.D. PC COMPRESSOR TWO OR THREE SCROLL DRIVE	
POWER FLOW DRAWING	
DWG. NO.	REV.
1	07-18-08
AS BUILT	PCCI
DATE	APPD
July 27/2005	Job #-
REFERENCE DRAWINGS	REV. DATE DESCRIPTION BY APPD

PC COMPRESSION Inc.

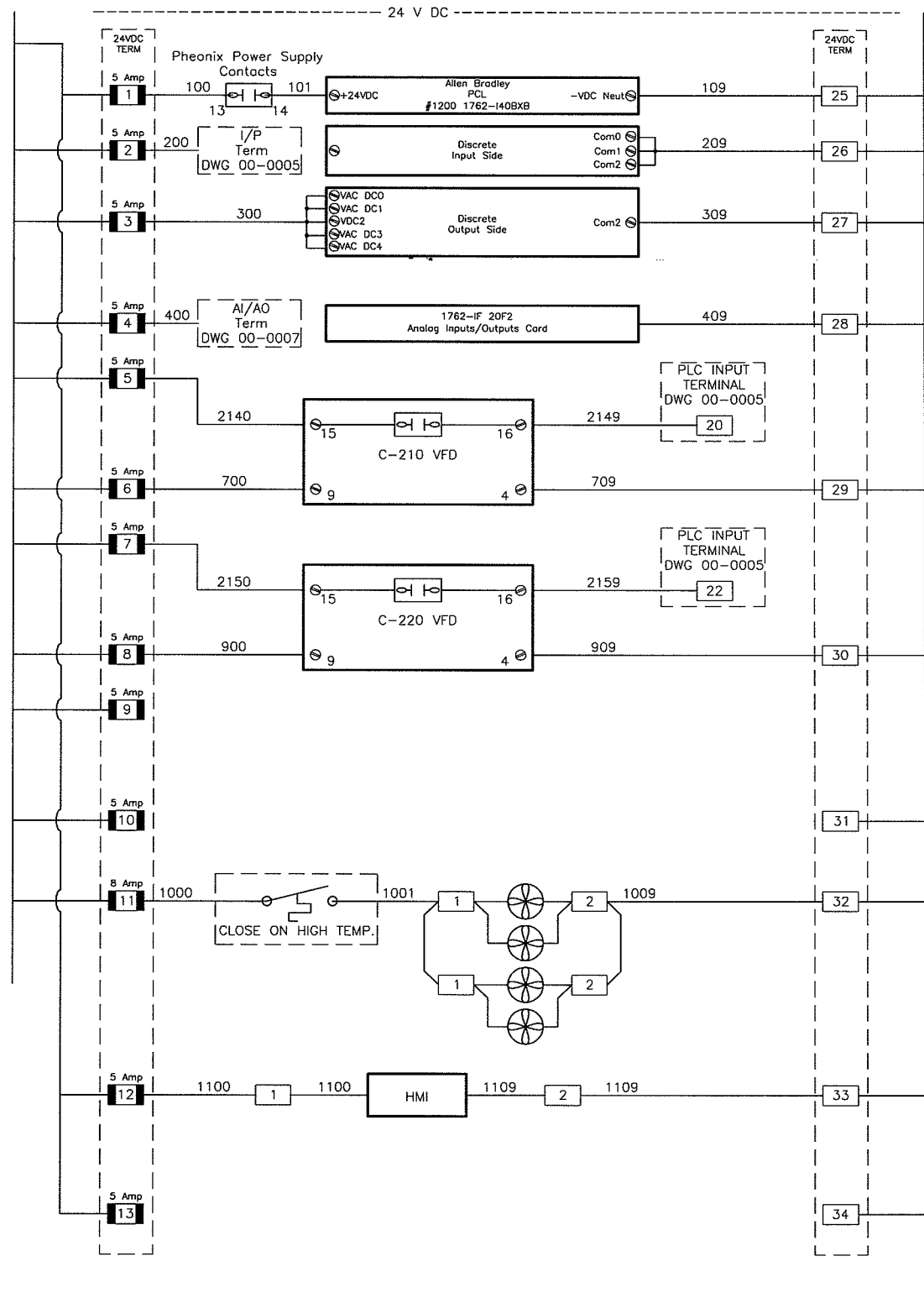
2308-8th Street
Nisku Alberta
T9E 7Z2

Office: 780.955.4292
Fax: 780.955.4294
Toll Free: 866.955.4292

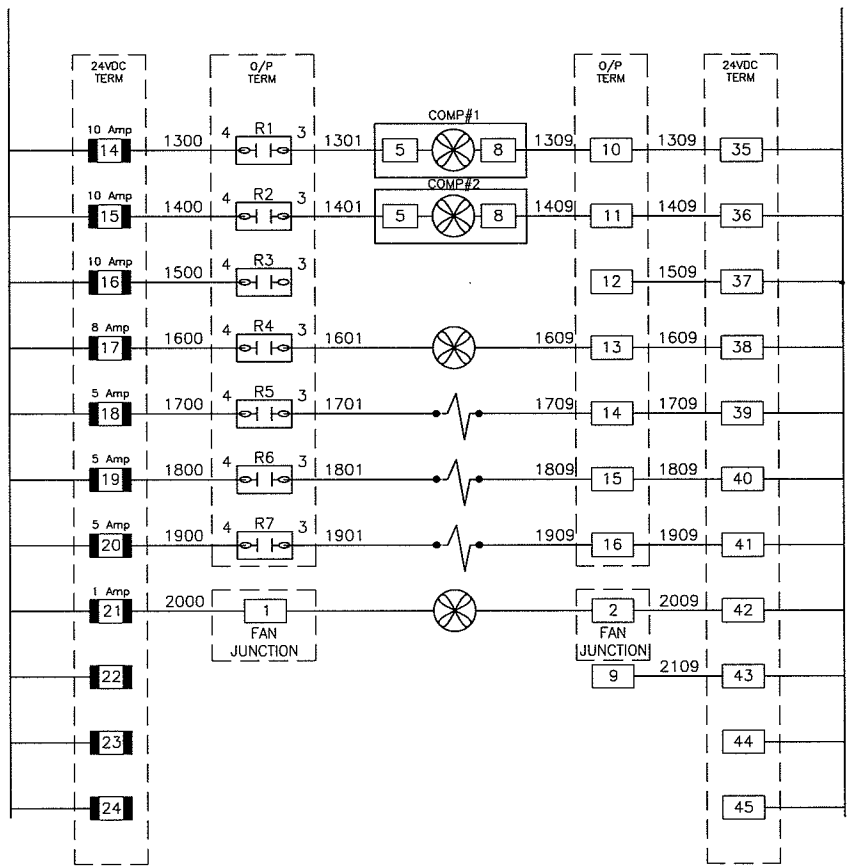
PC JOB NO.: 1-980
SAA-06138
SAA-08240



P:\PC Compression\Drafting\Work-Internal\I-980_SAA-08240_SAA-222-LP_Husky AB\G-ELC-SAA08240_AB.dwg, 7/18/2008 12:50:12 PM, scattepc, Property of PC Compression Inc. Duplication or Transmittal without written consent is pr



- 1200 PLC POWER
- INPUT CARD POWER
- OUTPUT CARD POWER
- ANALOG POWER
- C-210 FAULT
- C-210 ENABLE TERM #30
- C-220 FAULT
- C-220 ENABLE TERM #30
- C-230 FAULT
- C-230 ENABLE TERM #30
- COOLING FANS
- PANELVIEW 300 MICRO

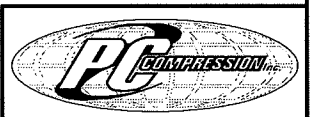


- M-210 COOLING FAN #1
- M-220 COOLING FAN #2
- M-230 COOLING FAN #3
- D-510 GAS COOLING FAN
- SOV-1 AIR DRYER
- SOV-2 AIR DRYER
- SOV-3 AIR DRYER
- PANEL HEATER FAN

Confidential

This drawing is the property of and contains confidential and proprietary information belonging to Pyramid Corporation. It must be returned immediately upon request and must not be copied in whole or in part nor the information shown thereon disclosed to third parties or otherwise used except as specifically permitted by Pyramid Electric Corporation

DWGNO.		1		07-18-08		AS BUILT		PCCI		DRAWN B.T.M.		CHECKED		SCALE		DRAWING NO.		REV.	
REFERENCE DRAWINGS		REV.		DATE		DESCRIPTION		BY		APPD		DATE		REF.		Job #-		PC072705-00-0004	
V.F.D. PC COMPRESSOR TWO OR THREE SCROLL DRIVE										POWER RUNG DRAWING									



2308-8th Street
Nisku Alberta
T9E 7Z2

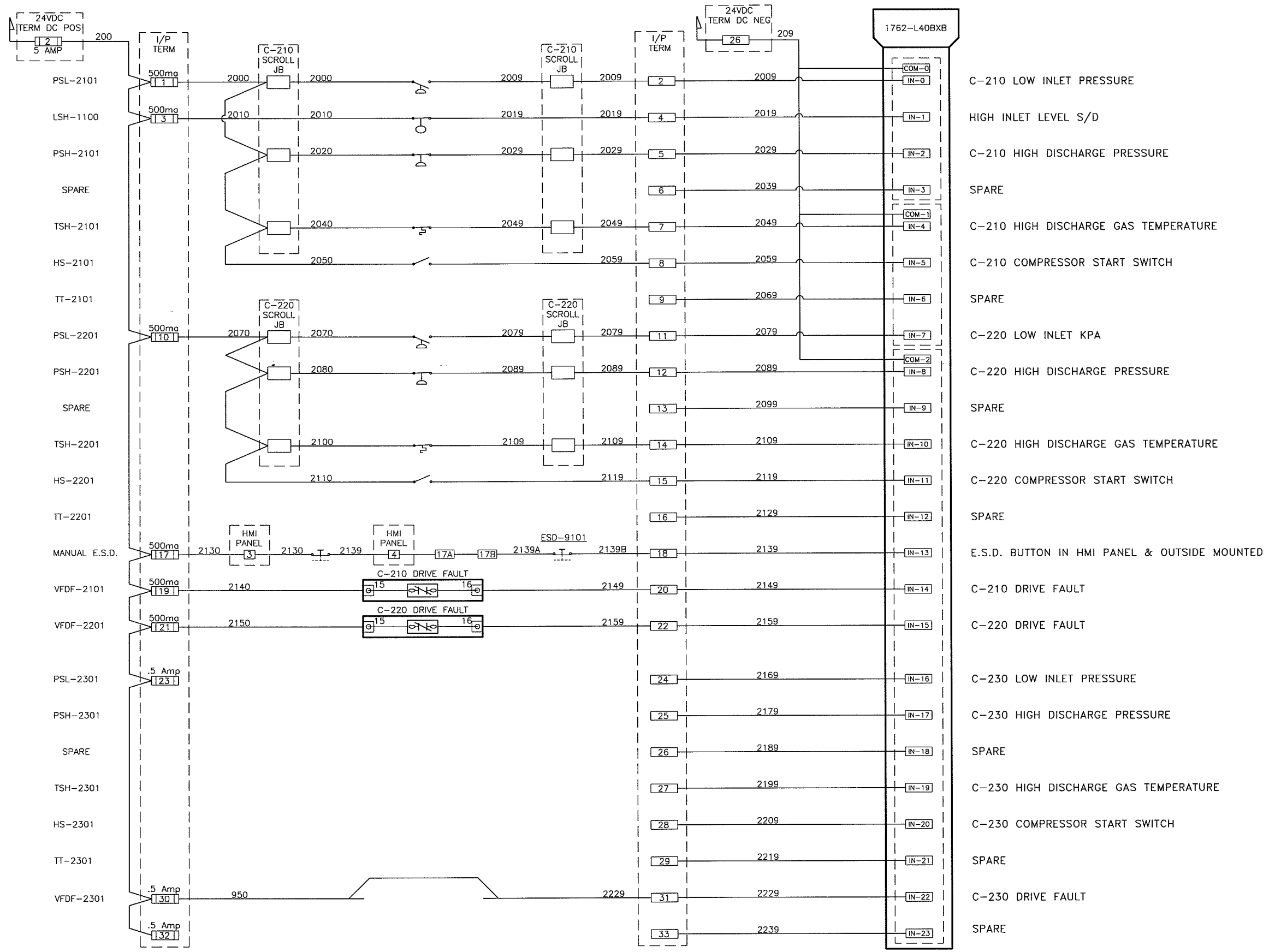
Office: 780.955.4292
Fax: 780.955.4294
Toll Free: 866.955.4292

PC JOB NO.: 1-980

PC Unit NO.: SAA-08240



P:\PC Compression\Drafting\Work-internal\1-980 SAA-08240 AB.dwg, 7/18/2008 12:50:24 PM, scottspc, Property of PC Compression Inc. Duplication or transmittal without written consent is prohibited.

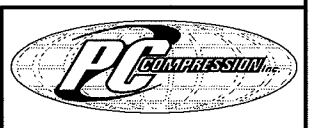


- COM-0 IN-0 C-210 LOW INLET PRESSURE
- IN-1 HIGH INLET LEVEL S/D
- IN-2 C-210 HIGH DISCHARGE PRESSURE
- IN-3 SPARE
- COM-1 IN-4 C-210 HIGH DISCHARGE GAS TEMPERATURE
- IN-5 C-210 COMPRESSOR START SWITCH
- IN-6 SPARE
- IN-7 C-220 LOW INLET KPA
- COM-2 IN-8 C-220 HIGH DISCHARGE PRESSURE
- IN-9 SPARE
- IN-10 C-220 HIGH DISCHARGE GAS TEMPERATURE
- IN-11 C-220 COMPRESSOR START SWITCH
- IN-12 SPARE
- IN-13 E.S.D. BUTTON IN HMI PANEL & OUTSIDE MOUNTED
- IN-14 C-210 DRIVE FAULT
- IN-15 C-220 DRIVE FAULT
- IN-16 C-230 LOW INLET PRESSURE
- IN-17 C-230 HIGH DISCHARGE PRESSURE
- IN-18 SPARE
- IN-19 C-230 HIGH DISCHARGE GAS TEMPERATURE
- IN-20 C-230 COMPRESSOR START SWITCH
- IN-21 SPARE
- IN-22 C-230 DRIVE FAULT
- IN-23 SPARE

Confidential

This drawing is the property of and contains confidential and proprietary information belonging to Pyramid Corporation. It must be returned immediately upon request and must not be copied in whole or in part nor the information shown thereon disclosed to third parties or otherwise used except as specifically permitted by Pyramid Electric Corporation.

DRAWING NO.		1		07-18-08		AS BUILT		PCCI		DRAWN BY: B.T.M.		CHECKED BY:		SCALE:		DRAWING NO.:		REV.:	
DATE:		July 27/2005		REV.:		Job #:		PC072705-00-0005		01									



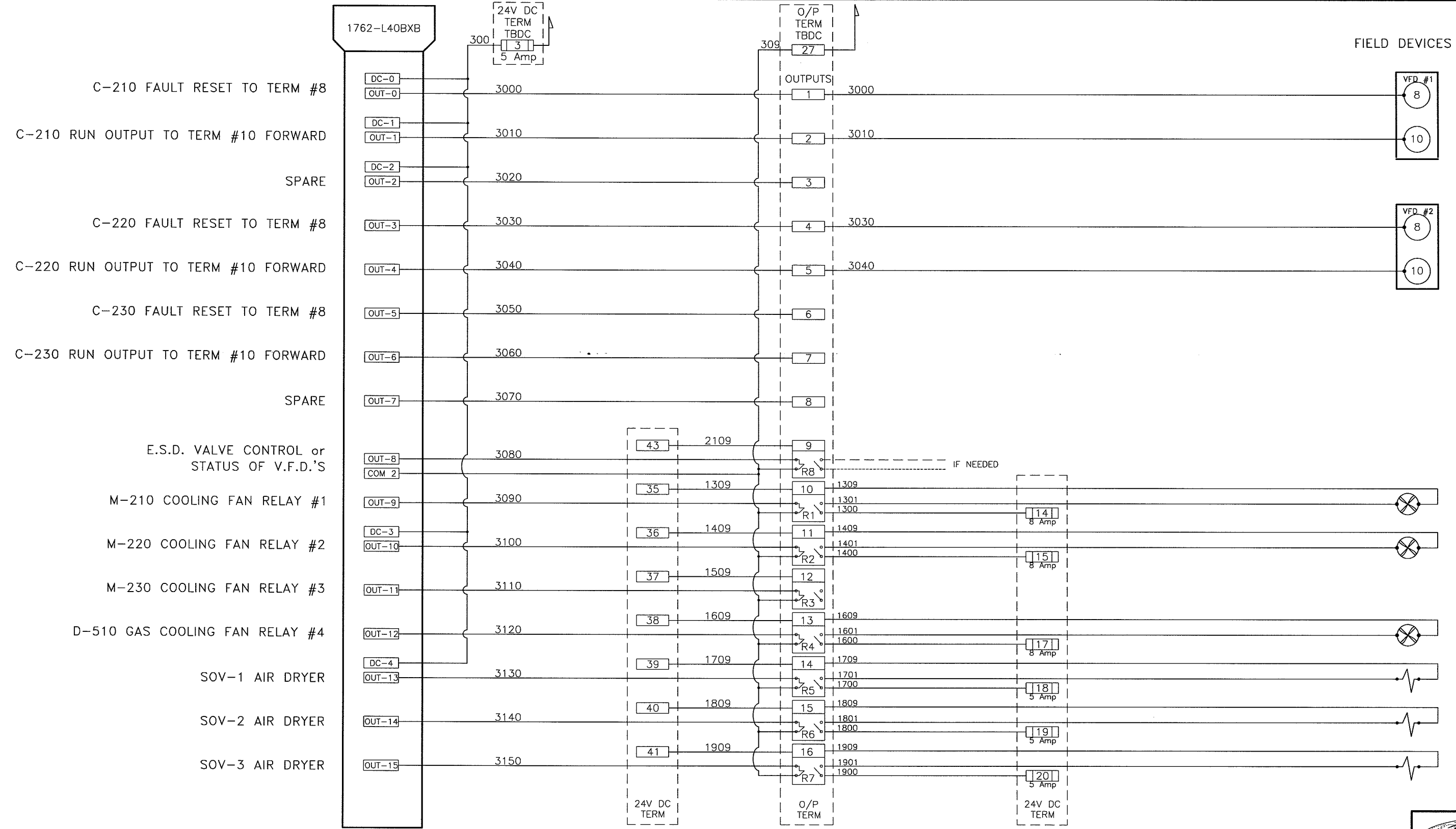
2308-8th Street
Nisku Alberta
T9E 7Z2
Office: 780.955.4292
Fax: 780.955.4294
Toll Free: 866.955.4292

PC JOB NO.: 1-980
PC Unit NO.: SAA-08240



V.F.D. PC COMPRESSOR TWO OR THREE SCROLL DRIVE
INPUT CARD

P:\PC Compression\Drafting\Work-Internal\--980 SAA-08240 SAA-222-LP Husky AB\G-ELC-SAA08240 AB.dwg, 7/18/2008 12:50:36 PM, scoilepc, Property of PC Compression Inc. Duplication or transmittal without written consent is prohibited.



2308-8th Street
Nisku, Alberta
T9E 7Z2
Office: 780.955.4292
Fax: 780.955.4294
Toll Free: 866.955.4292

PC JOB NO.: 1-980
PC Unit NO.: SAA-08240

Confidential

This drawing is the property of and contains confidential and proprietary information belonging to Pyramid Corporation. It must be returned immediately upon request and must not be copied in whole or in part nor the information shown thereon disclosed to third parties or otherwise used except as specifically permitted by Pyramid Electric Corporation

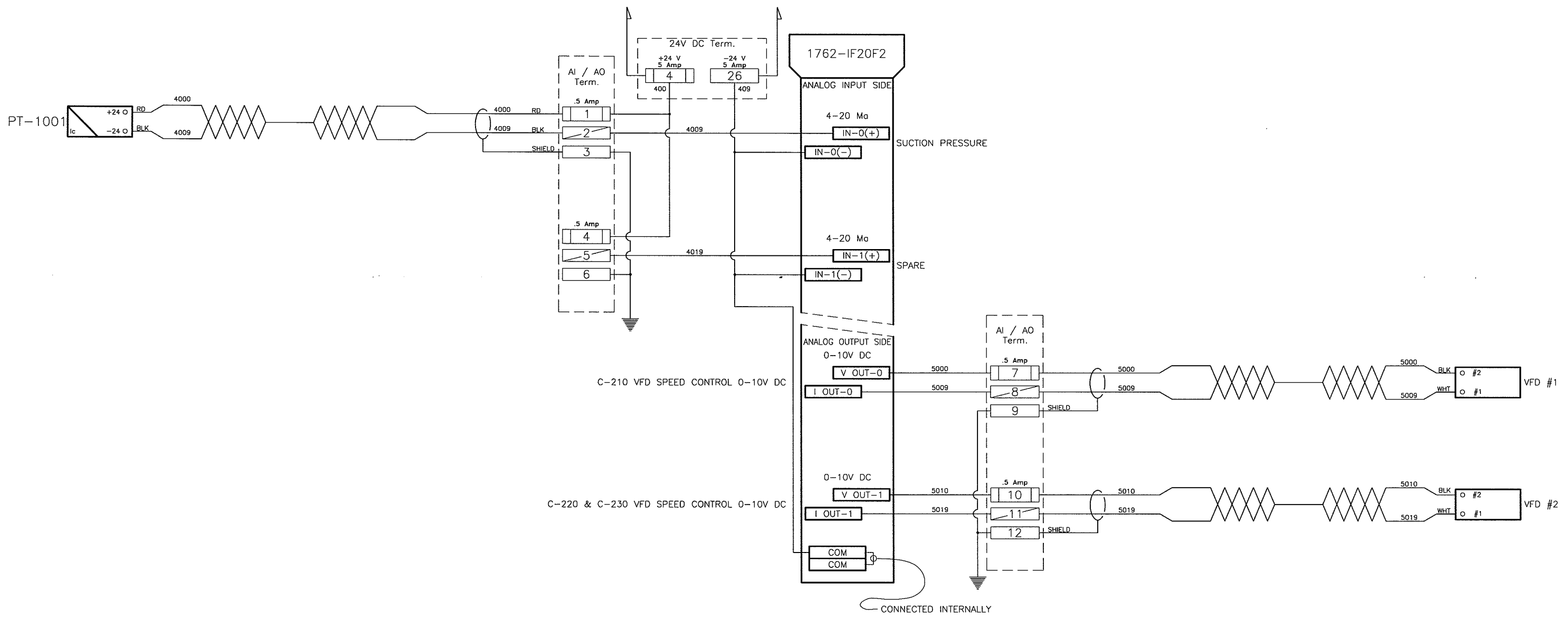
DWG NO.	REV.	DATE	DESCRIPTION	BY	APPD	DATE	REV.	Job #
	1	07-18-08	AS BUILT			July 27/2005		


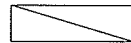
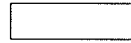
V.F.D. PC COMPRESSOR TWO OR THREE SCROLL DRIVE
OUTPUT CARD

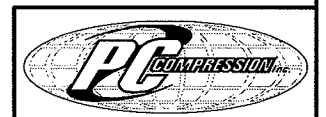
SCALE: DRAWING NO. PC072705-00-0006
REV. 01



P:\PC Compression\Drafting\Work-Internal\980 SAA-08240 SAA-222-LP Husky AB\G-ELC-SAA08240 AB.dwg, 7/18/2008 12:50:46 PM, scottcpc, Property of PC Compression Inc. Duplication or transmittal without written consent is prohibited.



-  FUSED TERMINAL
-  DISCONNECT TERMINAL
-  TERMINAL



2308-8th Street
Nisku Alberta
T9E 7Z2

Office: 780.955.4292
Fax: 780.955.4294
Toll Free: 866.955.4292

PC JOB NO.: 1-980
PC Unit NO.: SAA-08240

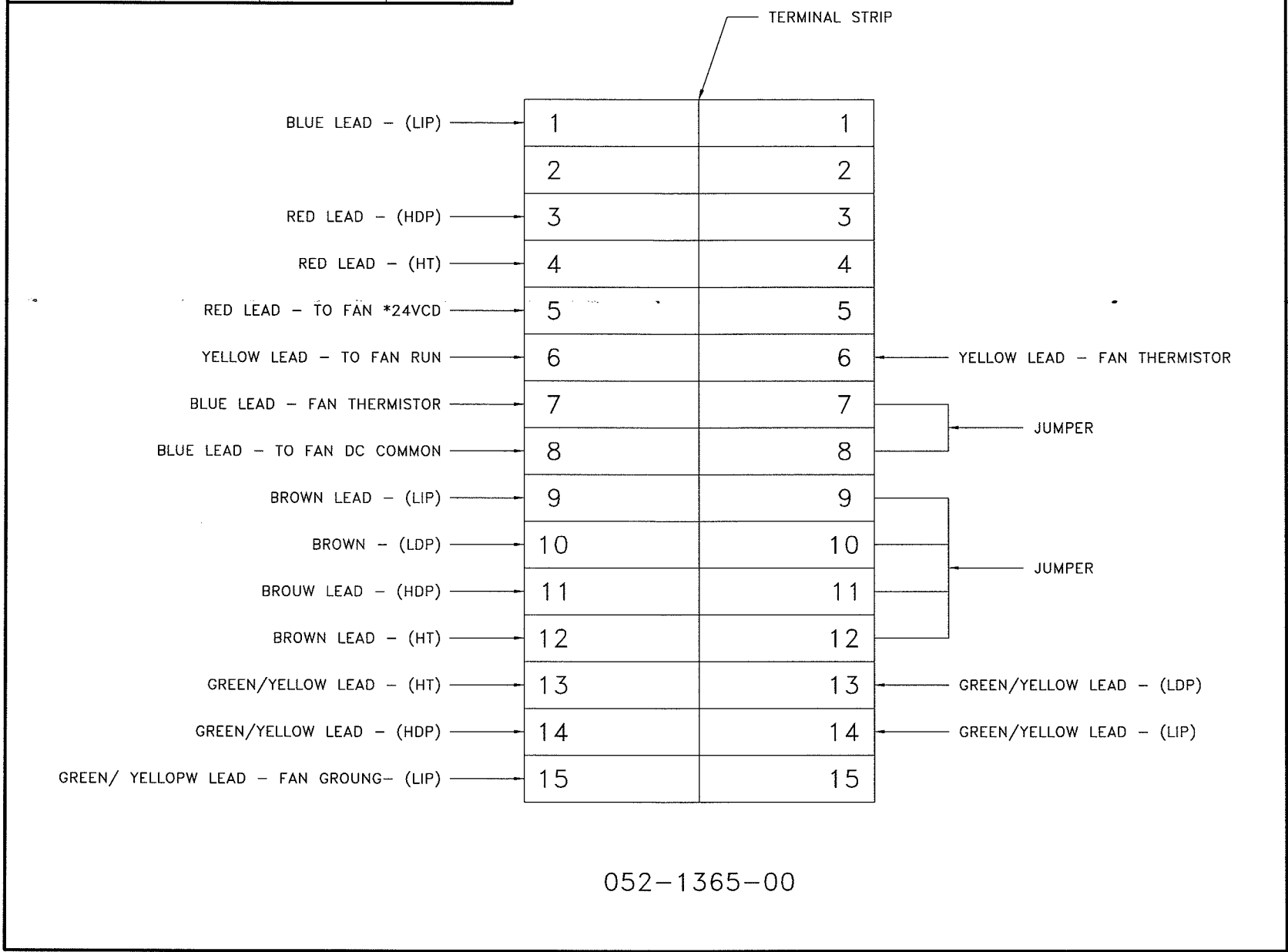
Confidential

This drawing is the property of and contains confidential and proprietary information belonging to Pyramid Corporation. It must be returned immediately upon request and must not be copied in whole or in part nor the information shown thereon disclosed to third parties or otherwise used except as specifically permitted by Pyramid Electric Corporation

				V.F.D. PC COMPRESSOR TWO OR THREE SCROLL DRIVE			
				ANALOG INPUT / ANALOG OUTPUT			
DWG. NO.	1	07-18-08	AS BUILT	PCCI	DRAWN	B.T.H.	CHECKED
REFERENCE DRAWINGS	REV.	DATE	DESCRIPTION	BY	APPD	DATE	REV.
						July 27/2005	Job #-
						SCALE	DRAWING NO.
							PC072705-00-0007
							01



DESCRIPTION	CCS P/N	DESCRIPTION
LOW INLET PRESSURE (LIP)	675GE8001	071-0580-00
HIGH DISCHARGE PRESSURE (HDP)	6900GE18	071-0579-04
HIGH TEMPERATURE (HT)	6900TE16	071-0586-00



2308-8th Street
Nisku, Alberta
T5E 7Z2

Office: 780.955.4292
Fax: 780.955.4294
Toll Free: 866.955.4292

PC JOB NO.: 1-980
PC Unit NO.: SAA-08240

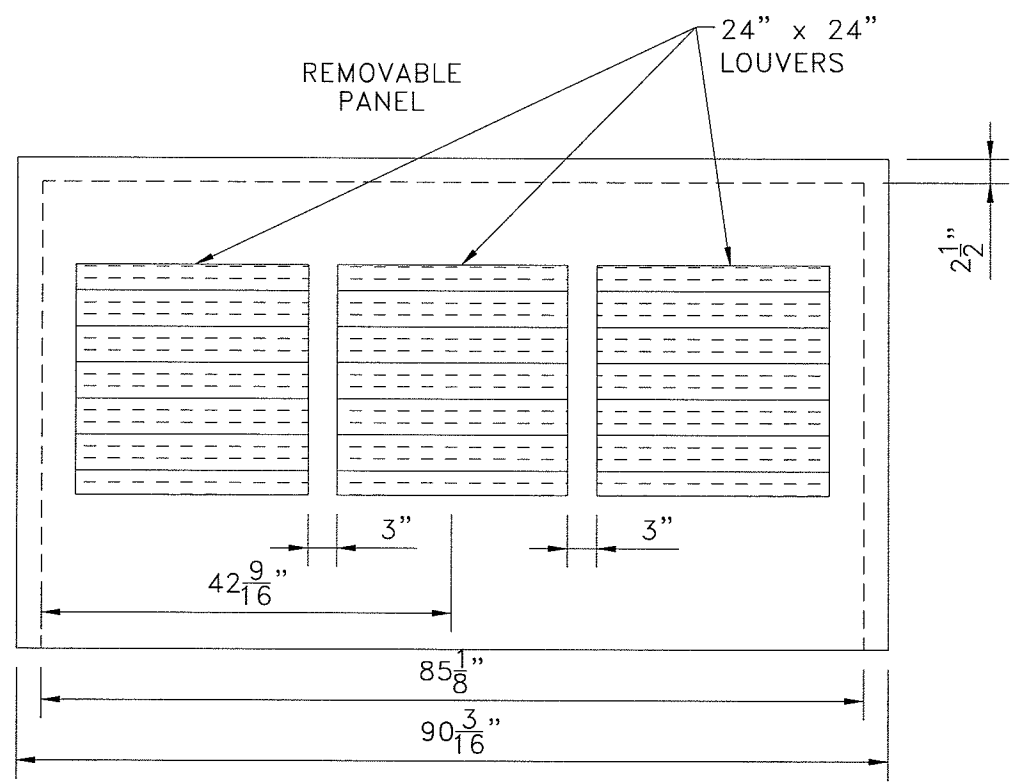
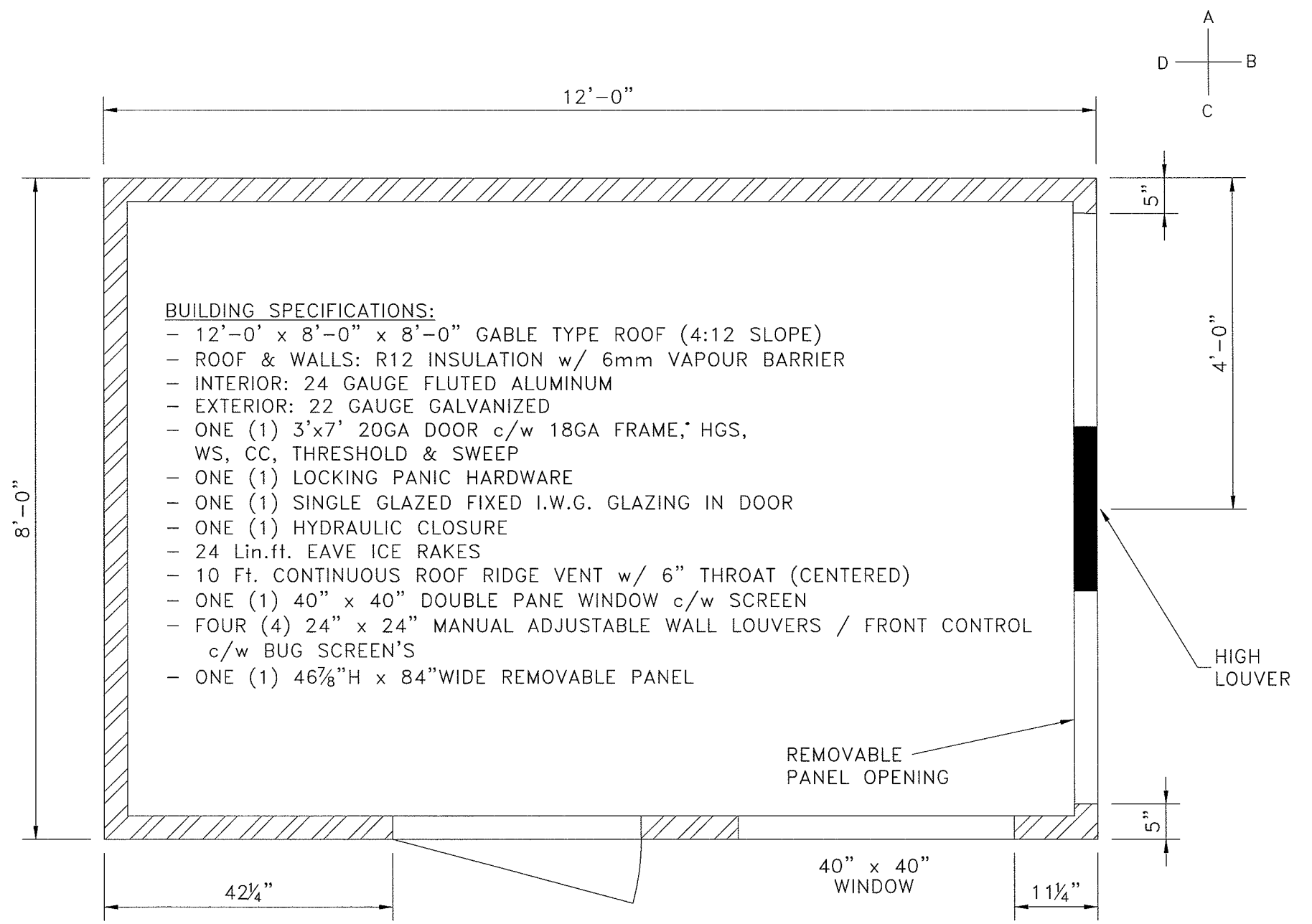
COPELAND
CORPORATION

Confidential


This drawing is the property of and contains confidential and proprietary information belonging to Pyramid Corporation. It must be returned immediately upon request and must not be copied in whole or in part nor the information shown thereon disclosed to third parties or otherwise used except as specifically permitted by Pyramid Electric Corporation

DRAWING NO.		REV.		DATE	DESCRIPTION	BY	APPD	DATE	REV.	DESCRIPTION	DATE	REV.
		1		07-18-08	AS BUILT	PCCT		10-14-04				
<p>V.F.D. PC COMPRESSOR TWO OR THREE SCROLL DRIVE COMPRESSOR TERMINATION JUNCTION BOX LAYOUT</p>												
<p>SCALE: DRAWING NO.: 052-1365-00</p>												

P:\PC Compression\Drafting\Work-Internal\1-980 SAA-08240 SAA-222-LP Husky AB\H-BLD-SAA08240 AB.dwg, 7/18/2008 12:51:37 PM, scottcps. Property of PC Compression Inc. Duplication or transmittal without written consent is pr

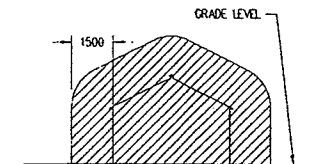


PLAN VIEW
SCALE 1:20

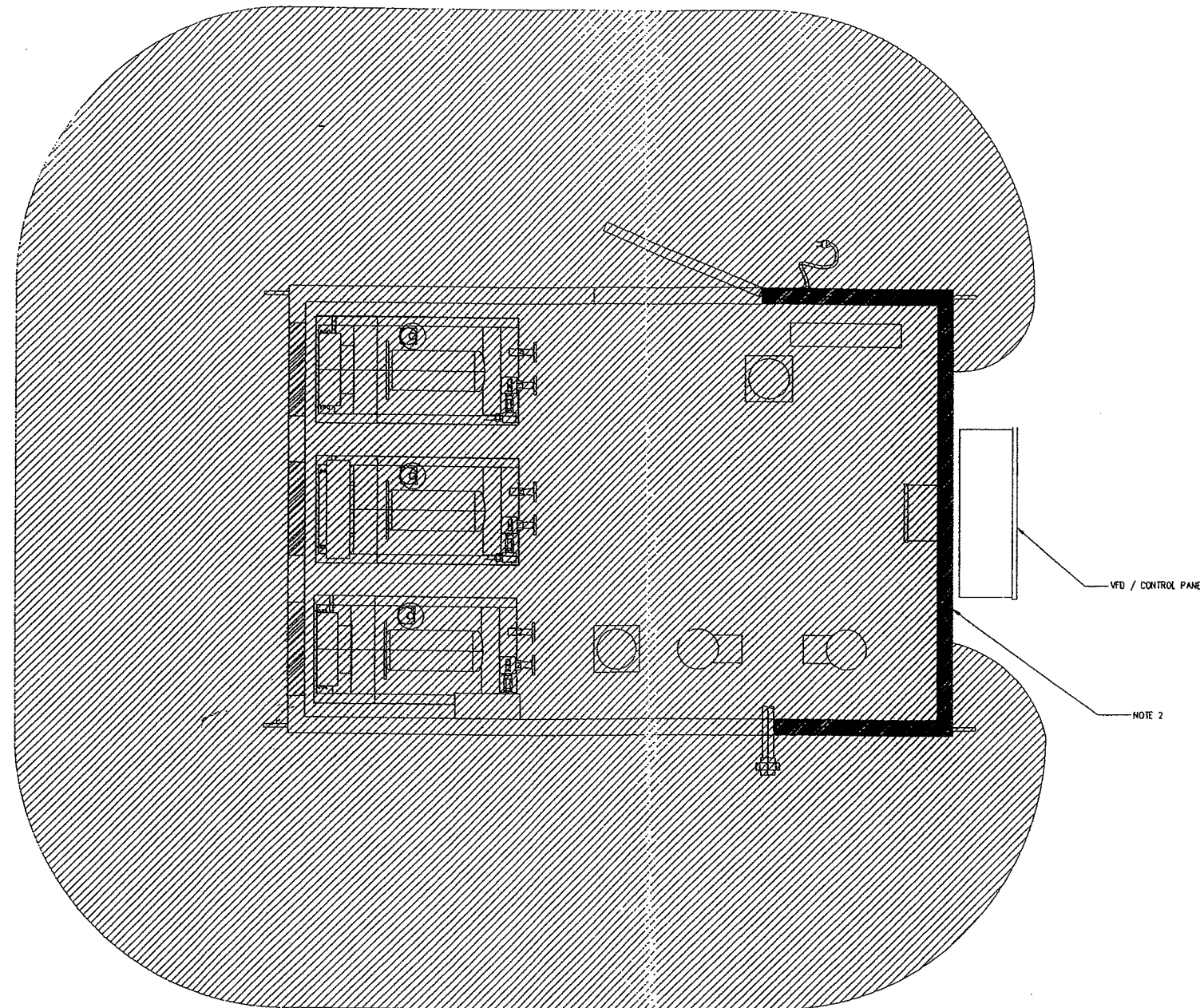
		Drawn by: DTL Date: 08-18-04 Checked by: SPC Approved by: SPC	222 LP SAA-SCROLL SERIES SZ022C3A w/ DESICCANT TOWERS SKID MOUNTED, SWEET SERVICE	
2308-8th Street Nisku Alberta T9E 7Z2		Office: 780.955.4292 Fax: 780.955.4294 Toll Free: 866.955.4292	Company: HUSKY ENERGY	
1 REV.	AS BUILT DESCRIPTION	SDC 07-18-08 BY DATE CHKD APPD	Quote/Ref. NO.: 1:20	JOB NO.: 1-980 Unit NO.: SAA-08240 Drawing NO.: BLD-SAA08240-H-01 Rev.: 1

	CLASS L ZONE 0
	CLASS L ZONE 1
	CLASS L ZONE 2
	CLASS L ZONE 2 UP TO 450mm ABOVE GRADE FOR HEAVIER THAN AIR GASES
	NON HAZARDOUS

CLASSIFICATION LEGEND

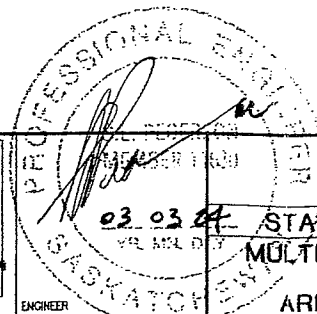
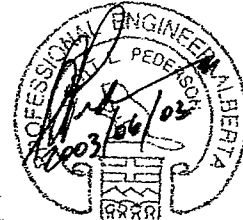


**STANDARD MULTIPACK SCROLL
BOOSTER COMPRESSOR BUILDING**



- NOTES:**
- THE INTERIOR OF THE COMPRESSOR BUILDING HAS BEEN CLASSIFIED AS CLASS L ZONE 2 OR DIVISION 2 BASED ON A FUGITIVE EMISSIONS STUDY DATED 02/12/03, RAMCO PROJECT # 22347. ADEQUATE VENTILATION IS PROVIDED BY NATURAL MEANS BECAUSE THE GAS PRESENT IN THIS BUILDING IS ESSENTIALLY RAW NATURAL GAS, EQUIPMENT SUITABLE FOR GAS GROUP IA OR D IS ACCEPTABLE. INSTALLED EQUIPMENT MUST HAVE A MAXIMUM SURFACE TEMPERATURE LESS THAN 482C OR HAVE A T1 (OR LOWER) TEMPERATURE CODE.
- SUMMARY OF CONDITIONS:**
THE CLASS L, DIVISION 2, OR ZONE 2, AREA CLASSIFICATION ASSIGNED TO THE INTERIOR OF THE COMPRESSOR BUILDING ON THIS SITE IS SUBJECT TO THE FOLLOWING CONDITIONS. IF THESE CONDITIONS ARE NOT MET, THE AREA CLASSIFICATION SHOWN ON THIS DRAWING WILL REVERT TO CLASS L, DIVISION 1 OR ZONE 1.
- THE VENTILATION DEVICES MAY BE SHUT BUT MAY NOT BE CLOSED OFF OR REMOVED. IF CHANGES WHICH WILL REDUCE THE VENTILATION RATE IN THE BUILDING ARE REQUIRED, THE EFFECT ON THE CONCENTRATION OF FUGITIVE EMISSIONS IN THE BUILDING MUST BE EVALUATED BY CALCULATIONS OR MONITORING.
 - PROCEDURE OR CONTROLS MUST BE IN PLACE TO ENSURE ABNORMAL SITUATIONS RESULTING IN COMBUSTIBLE CONCENTRATIONS OF GAS DO NOT PERSIST FOR MORE THAN 10 HOURS PER YEAR.
 - THE FACILITIES ARE MAINTAINED IN A MANNER THAT WILL ENSURE SIGNIFICANT LEVELS OF COMBUSTIBLE GAS (ABOVE 1-5% OF THE LEL) DO NOT EXIST UNDER NORMAL OPERATING CONDITIONS.
 - IT IS RECOMMENDED THAT COMBUSTIBLE GAS DETECTION SYSTEMS BE INSTALLED AND MAINTAINED IN ACCORDANCE WITH THE MANUFACTURER'S RECOMMENDATIONS OR IN ACCORDANCE WITH ANS/ISA RECOMMENDED PRACTICE 12.13, PART II, INSTALLATION OPERATION AND MAINTENANCE OF COMBUSTIBLE GAS DETECTION INSTRUMENTS.
- SECTION OF BUILDING WALL MUST BE VAPOR BARRIRED AND SEALED. ELECTRICAL CONDUITS THAT PENETRATE THIS PORTION OF WALL MUST BE SEALED BOTH INSIDE THE CONDUIT AND AROUND THE WALL PENETRATION. NO CONDUIT SHALL PENETRATE THE BUILDING WALL STRAIGHT FROM THE BACK OF THE CONTROL PANEL.

PERMIT TO PRACTICE
RAMCO ELECTRICAL CONSULTING LTD.
 Signature *[Signature]*
 Date 2003/06/03
 PERMIT NUMBER: P 6426
 The Association of Professional Engineers,
 Geologists and Geophysicists of Alberta



NUMBER	REFERENCE DRAWING TITLE	REV	Y	M	D	ISSUE/REVISION DESCRIPTION	DRN	DES	CHK	ENG
PC120-GA2	PC COMPRESSIONS INC. - 8'X12' SKID ARRANGEMENT	0	03	03	21	ISSUED FOR AREA CLASSIFICATION				



ASSOCIATION OF PROFESSIONAL ENGINEERS
 & GEOSCIENTISTS OF SASKATCHEWAN
 CERTIFICATE OF AUTHORIZATION
 RAMCO ELECTRICAL CONSULTING LTD.
 C838
 PERMISSION TO CONSULT HELD BY
 DISCIPLINE SASKATCHEWAN SIGNATURE
[Signature]
 Exp. 11/6/04

PC COMPRESSION INC.
STANDARD - COMPRESSOR
MULTIPACK SCROLL BOOSTER COMP.
STANDARD MODEL
AREA CLASSIFICATION DRAWING

PROJECT NO.	22347
DWG DATE:	03/03/03
DRAWN BY:	V. YOUNG
APPROVED BY:	S. PEDERSON
DWG SCALE:	1:15
PLOTTING RATIO:	1:15
COMPUTER FILE NO.:	2347E100
OLD DWG NO.:	NONE
DWG. NO.	A1-22347-E100
REV	0

RAMCO'S RAMCO TEMPLATE (SIZE: 841mm x 594mm - PLOTTING RATIO 1:15)

ROTATING EQUIPMENT COMPRESSORS

Data Collected By: _____		Entry Date: _____		Package ID # <u>I-980</u>	
Equipment Class _____		Purchase Order # <u>8400005280</u>			
Equipment Description: <u>COMPRESSOR ASSEMBLY</u>			Tag No. <u>CA-210</u>		
Facility: _____					
Location: <u>LSD</u> <u>Sec</u> <u>Twp</u> <u>Rge</u> <u>W/</u>					
Cost Center: _____		Acquis Value _____		Acquis Date _____	
Equipment Status: _____			Ownership Status _____		
Manufacturer: <u>COPELAND SCROLL</u>			Year Built <u>2008</u>		
Equipment Condition: _____		Model No. <u>SZ022C3A-EDE-234</u>		Serial No. <u>08F0A272K</u>	
Construction: _____		QPS Certification: _____		<u>QCC-98023</u>	
Skid Weight: _____		Skid Size _____		(w x l x h)	
Common Characteristics					
Fluid Description <u>NG</u>		Service <u>Sweet</u>		Driven By _____	
Rotation _____ (viewed from Drive End)		# Stages _____			
Design Cap. _____		Des.Suct. <u>2" WC - 10</u> psig		Des.Disch <u>215</u> psig	
Frame HP Rtg _____		Frame Max Speed <u>3600</u> RPM			
Additional Characteristics for Reciprocating Compressors					
# Throws _____		Cylinder #1 _____		Cylinder #2 _____	
		Cylinder #3 _____		Cylinder #4 _____	
Additional Characteristics for Rotary Compressors					
Rotary Comp Type _____					
Csg MAWP _____			Csg Mat'l _____		
Additional Characteristics for Centrifugal Compressor and Turbo Expander					
Casing Type _____					
Csg MAWP _____			Csg Mat'l _____		
Material Transfer Information					
Transfer Recorded By: _____					Date _____
From <u>LSD</u> <u>Sec</u> <u>Twp</u> <u>Rge</u> <u>W/</u>					
Transfer Yard _____					
To <u>LSD</u> <u>Sec</u> <u>Twp</u> <u>Rge</u> <u>W/</u>					
Facility _____		Receiving AFE: _____			
Additional Notes					

Ensure Package ID Number is Identified on ALL Individual Equipment Item Templates

ROTATING EQUIPMENT COMPRESSORS

Data Collected By: _____		Entry Date: _____		Package ID # I-980	
Equipment Class _____		Purchase Order # 8400005280			
Equipment Description: COMPRESSOR ASSEMBLY			Tag No. CA-220		
Facility: _____					
Location: LSD _____		Sec _____		Twp _____	
		Rge _____		W/ _____	
Cost Center: _____		Acquis Value _____		Acquis Date _____	
Equipment Status: _____			Ownership Status _____		
Manufacturer: COPELAND SCROLL			Year Built 2008		
Equipment Condition: _____		Model No. SZ022C3A-EDE-234		Serial No. 08F0A268K	
Construction: _____			QPS Certification: QCC-98019		
Skid Weight: _____		Skid Size _____ (w x l x h)			
Common Characteristics					
Fluid Description NG		Service Sweet		Driven By _____	
Rotation _____ (viewed from Drive End)			# Stages _____		
Design Cap. _____		Des.Suct. 2" WC - 10 psig		Des.Disch 215 psig	
Frame HP Rtg _____		Frame Max Speed 3600 RPM			
Additional Characteristics for Reciprocating Compressors					
# Throws _____		Cylinder #1 _____		Cylinder #2 _____	
		Cylinder #3 _____		Cylinder #4 _____	
Additional Characteristics for Rotary Compressors					
Rotary Comp Type _____					
Csg MAWP _____			Csg Mat'l _____		
Additional Characteristics for Centrifugal Compressor and Turbo Expander					
Casing Type _____					
Csg MAWP _____			Csg Mat'l _____		
Material Transfer Information					
Transfer Recorded By: _____ Date _____					
From LSD _____		Sec _____		Twp _____	
		Rge _____		W/ _____	
Transfer Yard _____					
To LSD _____		Sec _____		Twp _____	
Facility _____		Rge _____		W/ _____	
Receiving AFE: _____					
Additional Notes					

Ensure Package ID Number is Identified on ALL Individual Equipment Item Templates

PRESSURE VESSELS

Data Collected By: _____		Entry Date: _____		Package ID # I-980	
Equipment Class: Separator		Purchase Order # 8400005280			
Equipment Description: INLET SEPERATOR			Tag No. V-110		
Facility: _____					
Location: LSD		Twp		Rge	
Cost Center: _____		Acquis Value		Acquis Date	
Equipment Status: _____			Ownership Status		
Manufacturer: LO TECH MANUFACTURING			Year Built 2008		
Equipment Condition: _____		Model No.		Serial No. 8600-643	
Construction: _____					
Skid Weight: _____		Skid Size _____ (w x l x h)			
Common Characteristics					
Fluid Description: NATURAL GAS		Service Sweet		Code Stamp	
Prov. Reg. No.(A#): _____		CRN OH5415.21345		# Phases 2	
Shell MAWP: 600 psig		@maxTemp 650 °F		MDMT -20 °F	
Shell Mat'l: SA-106 B		Shell Thick 0.322 in		Shell CA 0.0625 in	
Head Mat'l: SA-234 WPB		Head Thick 0.322 in		Head CA 0.0625 in	
Nozzle Type: H CPLG		Nozzle Rtg 3000#		Ansi	
Nozzle Mat'l: SA-105 N		Nozzle Thick		Nozzle CA	
X-Ray: _____		# Manways		# Inspection Ports	
Volume: _____		Design Flow		Stress Relief	
Diameter: 8.625 in		Length/Height: 48 in		Orientation Vertical	
Support Type: Skirt		Internal Coating /Cladding Type			
Internal Coating: N		Insulation Thickness		Painted / Primed N	
<i>Internals</i>					
Component Type: _____		Manufacturer		Model	
Component Mat'l: _____		Component Size		Component CA	
Removable: _____					
Additional Characteristics for Treater					
Treater Type		Desand System			
# Firetubes		Firetube S/N		Firetube Rating	
Material Transfer Information					
Transfer Recorded By: _____					Date _____
From LSD		Twp		Rge	
Transfer Yard _____					
To LSD		Twp		Rge	
Facility _____					Receiving AFE: _____
Additional Notes					

Certificate Of Compliance

RECEIVED JUN 09 2008

I Hereby Certify That The Below Registered Category "H" Pressure Fitting Has Been Designed, Manufactured, and Pressure Tested In Accordance With The Alberta Safety Codes Act, CSA B51 And ASME Section VIII, Division 1, 2007 Edition.

CRN	0H5415.21345				
S/N	8600.643 ✓				
Diameter	8.625	Inches	Overall Length	56	Inches
Year Built	2008				
MAWP	600	PSIG	@	650	°F
MDMT	-20 °F				
C.A.	0.0625	Inches			
Radiography	N/A				
PWHT :	Time	N/A	min.	Temp.	N/A °F
Hydro Tested	@	780	PSIG		



Quality Control Manager
Dennis Klokocki

June 6, 2008

PRESSURE VESSELS

Data Collected By: _____		Entry Date: _____		Package ID # I-980	
Equipment Class: Separator		Purchase Order # 8400005280			
Equipment Description: DISCHARGE SCRUBBER			Tag No. V-120		
Facility: _____					
Location: LSD		Twp		Rge	
Cost Center: _____		Acquis Value		Acquis Date	
Equipment Status: _____		Ownership Status			
Manufacturer: LO TECH MANUFACTURING		Year Built 2008			
Equipment Condition: _____		Model No. _____		Serial No. 8600.666	
Construction: _____					
Skid Weight: _____		Skid Size _____ (w x l x h)			
Common Characteristics					
Fluid Description: NATURAL GAS		Service Sweet		Code Stamp	
Prov. Reg. No.(A#): _____		CRN OH5415.21345		# Phases 2	
Shell MAWP: 600 psig		@maxTemp		650 °F	
Shell Mat'l: SA-106 B		Shell Thick 0.322 in		Shell CA 0.0625 in	
Head Mat'l: SA-234 WPB		Head Thick 0.322 in		Head CA 0.0625 in	
Nozzle Type: T.O.L.		Nozzle Rtg 3000#		Ansi	
Nozzle Mat'l: SA-105 N		Nozzle Thick _____		Nozzle CA _____	
X-Ray: _____		# Manways _____		# Inspection Ports _____	
Volume: _____		Design Flow _____		Stress Relief _____	
Diameter: 8.625 in		Length/Height: 48 in		Orientation Vertical	
Support Type: Skirt		Internal Coating /Cladding Type _____			
Internal Coating: N		Insulation Thickness _____		Painted / Primed N	
<i>Internals</i>					
Component Type: _____		Manufacturer _____		Model _____	
Component Mat'l: _____		Component Size _____		Component CA _____	
Removable: _____					
Additional Characteristics for Treaters					
Treater Type		Desand System			
# Firetubes		Firetube S/N		Firetube Rating	
Material Transfer Information					
Transfer Recorded By: _____					Date _____
From LSD		Twp		Rge	
Transfer Yard _____					
To LSD		Twp		Rge	
Facility _____				Receiving AFE: _____	
Additional Notes					

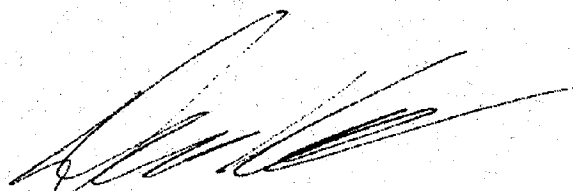
Ensure Package ID Number is Identified on ALL Individual Equipment Item Templates

Certificate Of Compliance

RECEIVED JUN 23 2008

I Hereby Certify That The Below Registered Category "H" Pressure Fitting Has Been Designed, Manufactured, and Pressure Tested In Accordance With The Alberta Safety Codes Act, CSA B51 And ASME Section VIII, Division 1, 2007 Edition.

CRN	0H5415.21345				
S/N	8600.666 ✓				
Diameter	8.625	Inches	Overall Length	56	Inches
Year Built	2008				
MAWP	600	PSIG	@	650	°F
MDMT	-20 °F				
C.A.	0.0625	Inches			
Radiography	N/A				
PWHT :	Time	N/A	min.	Temp.	N/A °F
Hydro Tested	@	780	PSIG		



Quality Control Manager
Dennis Klokocki

June 20, 2008

PRESSURE VESSELS

Data Collected By: _____		Entry Date: _____		Package ID # I-980	
Equipment Class: Dryer		Purchase Order # 8400005280			
Equipment Description: RIGHT DRYING TOWER			Tag No. V-140		
Facility: _____					
Location: LSD		Twp		Rge	
Cost Center: _____		Acquis Value		Acquis Date	
Equipment Status: _____		Ownership Status			
Manufacturer: PYRAMID PROCESS FABRICATORS			Year Built 2008		
Equipment Condition: _____		Model No.		Serial No. 08-3200-0000-F	
Construction: _____					
Skid Weight: _____		Skid Size _____ (w x l x h)			
Common Characteristics					
Fluid Description: NATURAL GAS		Service Sweet		Code Stamp	
Prov. Reg. No.(A#): _____		CRN OH5228.23		# Phases 2	
Shell MAWP: 550 psig		@maxTemp		600 °F	
Shell Mat'l: SA-106 B		Shell Thick 0.322 in		Shell CA 0.0625 in	
Head Mat'l: SA-234 WPB		Head Thick 0.322 in		Head CA 0.0625 in	
Nozzle Type: T.O.L.		Nozzle Rtg CL 3000		Ansi	
Nozzle Mat'l: SA-105 N		Nozzle Thick		Nozzle CA	
X-Ray: _____		# Manways		# Inspection Ports	
Volume: _____		Design Flow		Stress Relief	
Diameter: 8.625 in		Length/Height: 48 in		Orientation Vertical	
Support Type: Other		Internal Coating /Cladding Type			
Internal Coating: N		Insulation Thickness		Painted / Primed N	
<i>Internals</i>					
Component Type: _____		Manufacturer		Model	
Component Mat'l: _____		Component Size		Component CA	
Removable: _____					
Additional Characteristics for Treaters					
Treater Type		Desand System			
# Firetubes		Firetube S/N		Firetube Rating	
Material Transfer Information					
Transfer Recorded By: _____					Date _____
From LSD		Twp		Rge	
Transfer Yard _____					
To LSD		Twp		Rge	
Facility _____					Receiving AFE: _____
Additional Notes					
DRYING MEDIA: ACTIVATED ALUMINA SOLID (1/16 DIA.)					

ALBERTA MUNICIPAL AFFAIRS

ABSA, the pressure equipment safety authority

9410 - 20th Avenue

Edmonton, AB T6N 0A4

RECEIVED JUL 28 2008

MANUFACTURER'S DATA REPORT

FOR MINIATURE PRESSURE VESSEL

DÉCLARATION DE CONFORMITÉ DU CONSTRUCTEUR

D'APPAREILS SOUS PRESSION

Upon shipment of a pressure vessel, this form fully and correctly filled in must be mailed to the office of the Chief Inspector in the province of installation in accordance with the regulations under the Act, governing the construction and installation of pressure vessels.

Au moment de l'expédition d'un appareil sous pression, ce formulaire complété correctement, doit être envoyé au bureau de l'inspecteur en chef de la province d'installation tel que prévu dans les règlements de la loi sur les appareils sous pression.

Manufactured by Construit par	Name and address of Manufacturer/ Nom et adresse du constructeur Pyramid Process Fabricators; 2308-8th Street, Nisku, Alberta, T9E 7Z2
Manufactured for Construit pour	Name and address of Purchaser or Consignee/ Nom et adresse du client ou de son représentant PC Compression; 2308-8th Street, Nisku, Alberta, T9E 7Z2
Ultimate owner Utilisateur	Name and address/ Nom et adresse
Location of installation Lieu d'installation	Name and address/ Nom et adresse

Pressure vessel/ Appareil

Type/ Genre Bullet	Overall Length/Longueur totale 4'-0" S/S	Serial No./ N° de série 08-3200-0000F	Year built/Année de fabrication 2008
Provincial Registration No. - C.R.N./N° d'enregistrement provincial - N.E.C. OH5228.23			Drawing No./ N° de dessin PV-061 Rev. 3

The chemical and physical properties of all parts meet the requirements of material specifications of the A.S.M.E. Code.
Les propriétés chimiques et physiques de toutes les composantes respectent les exigences des spécifications de matériaux de code ASME.

The design, construction and workmanship conform to CSA B51. <i>La conception, la construction et la façon sont conformes à ACNOR B51.</i>	ASME Section VIII	Division 1	Addenda/Supplément 2007	Code case No. N° de cas
---	-----------------------------	----------------------	-----------------------------------	----------------------------

Manufacturer's partial data reports properly identified and signed by authorized inspectors have been furnished for the following items of the report, and attached to this report:
Les rapports partiels du constructeur adéquatement identifiés et signés par les inspecteurs autorisés ont été produits pour les items suivants du rapport, et attachés à ce rapport:

Names of parts/ Nom de la composante	Item No./ N° d'item	Manufacturer's Name/ Nom du constructeur	Identifying Stamp/ Estampe d'identification

Shell/ Virole

Description	Material Matériau	Thickness Épaisseur	Corr. Allow. Surépais. de corr.	Diameter Diamètre	Longitudinal Joints Joints longitudinaux			P.W.H.T. Traitement therm		Girth Joints Joints de circonférence		Number of courses Nombre de sections
					Type	R.T. Radiog.	Efficiency Efficacité	Temp.	Time Durée	Type	R.T. Radiog.	
8" Pipe Shell	SA-106 Gr. B	0.322"	0.0625"	8.625"						1	Full	1

Heads/ Tetes

Description	Material Matériau	Min. Thickn. Épals minim.	Corr. Allow Surép. Corr.	Crown. Radius Rayon couron.	Knuckle Radius Petit rayon	Ellipse Ratio Rapp. ellipse	Conical Apex Angle Angle conique	Hemisph. Radius Ray. Hémisph	Flat Diameter Diam.plat	Side to pressure Côte sous pression
8" Pipe Cap	SA-234-WPB	0.282"	0.0625"			2:1				Concave
8" Pipe Cap	SA-234-WPB	0.282"	0.0625"			2:1				Concave
Removable bolts used (describe other fastenings) <i>Boulons amovible utilisés (décrire tout autre attache)</i>					Mat'l Spec./ Spéc. du mat.			Grade		Size/ Dimension

Pressure - Temperature/ Pression - température

Pressure Vessel Part Partie de l'appareil	Constructed for max. allowable working pressure Construit pour une pression maximale de marche permise	At max. temp. A une temp. max.	Minimum design metal temp. Temp. min.	Test pressure (hydro-pneumatic or combination) Pression d'épreuve (hydro-pneumatique ou combinaison)
Bullet	550 PSI	600 F	-20 F	715 PSI

Tube Section/ Faisceau tubulaire

Tubsheet/ Plaque tubulaire	Material/ Matériau	Diameter/ Diametre	Nominal Thickness Épaisseur nominale	Corr. Allow. Surépais. corrosion	Attachment Mode d'attachement
Tube material/ Matériau des tubes	Diameter/ Diamètre	Nominal Thickness (gauge) Épaisseur nominale (calibre)	Number/ Nbre	Type (Straight or U) Type (Droit ou U)	Heating Surface Surface de chauffe

Jacket/ Chemise

Type of jacket/ Genre de chemise	Jacket closure Fermeture de chemise	Proof Test Pression d'épreuve	Heating Surface Surface de chauffe	Sketch/ Schéma
----------------------------------	--	----------------------------------	---------------------------------------	----------------

Safety Valve Outlets/ Soupapes de sûreté

Number/ Nombre	Dimension	Location/ Endroit
----------------	-----------	-------------------

Nozzles and Openings/ Tubulures et ouvertures

Purpose/ But	Number Nombre	Dimension	Type	Material Matériau	Nominal Thickness Épaisseur nominale	Reinforcement material Matériau de renfort	How attached Genre d'attaches	Location/ Endroit
Sight Glass, C1	1	2"	3000# TOL	SA-105N	0.2970"		UW-16.1(c)	Shell
Vent, C2	1	1"	3000# TOL	SA-105N	0.2413"		UW-16.1(c)	Shell
Gas Inlet, C3	1	2"	3000# TOL	SA-105N	0.2970"		UW-16.1(c)	Bottom Head
Gas Outlet, C4	1	2"	3000# TOL	SA-105N	0.2970"		UW-16.1(c)	Top Head

Supports/ Supports

Skirt/ Jupe Yes/ Oui No/ Non <input checked="" type="checkbox"/> <input checked="" type="checkbox"/>	Lugs/ Oeilles No./ Nbre	Legs/ Pieds No./ Nbre	Other/ Autres (Description) Bolting Plate	Attached/ Attaches (Where and How/ Méthode et endroit) Shell By Welding
--	----------------------------	--------------------------	---	--

Remarks/ Observations (Cubical capacity/ Volume)

Vessel Fabricated to Dwg # B-08-3200-0000-001 Rev. 1
 Vessel Volume = 1.45 cu. ft (0.041 cu. m)
 Vessel Impact Test Exempt per UG-20(f)

Certificate of Compliance/ Certificat de conformité

We certify that the statements made in this data report are correct and that the said vessel has been constructed in accordance with the Provincial Registered design below and the requirements of standard CSA B51.

Nous certifions que les données de la déclaration de conformité sont correctes et que l'appareil a été construit en accord avec l'enregistrement provincial ci-dessous et les exigences de la norme ACNOR B51.

Provincial Registered Design
 Enregistrement provincial OH5228.23

Manufacturer
 Constructeur Pyramid Process Fabricators

Signature [Signature] Date July 23/08
 (Representative)

Signature David Mansfield Date July 23/08
 (Certified Individual)

PRESSURE VESSELS

Data Collected By: _____		Entry Date: _____		Package ID # I-980	
Equipment Class <input type="text" value="Filter"/>		Purchase Order # 8400005280			
Equipment Description LEFT DRYING TOWER			Tag No. V-130		
Facility: _____					
Location: LSD <input type="text" value="S"/>		Twp <input type="text" value=""/>		Rge <input type="text" value=""/>	
Cost Center: _____		Acquis Value _____		Acquis Date _____	
Equipment Status: <input type="text" value=""/>			Ownership Status <input type="text" value=""/>		
Manufacturer: PYRAMID PROCESS FABRICATORS			Year Built 2008		
Equipment Condition: <input type="text" value=""/>		Model No. _____		Serial No. 08-3200-0000-A	
Construction: <input type="text" value=""/>					
Skid Weight: _____		Skid Size <input type="text" value=""/> (w x l x h)			
Common Characteristics					
Fluid Description: NATURAL GAS		Service Sweet <input type="text" value=""/>		Code Stamp <input type="text" value=""/>	
Prov. Reg. No.(A#): _____		CRN OH5228.23		# Phases 2	
Shell MAWP: 550 psig <input type="text" value=""/>		@maxTemp 600 °F <input type="text" value=""/>		MDMT -20 °F <input type="text" value=""/>	
Shell Mat'l: SA-106 B		Shell Thick 0.322 in <input type="text" value=""/>		Shell CA 0.0625 in <input type="text" value=""/>	
Head Mat'l: SA-234 WPB		Head Thick 0.322 in <input type="text" value=""/>		Head CA 0.0625 in <input type="text" value=""/>	
Nozzle Type: T.O.L.		Nozzle Rtg 3000#		Ansi	
Nozzle Mat'l: SA-105 N		Nozzle Thick <input type="text" value=""/>		Nozzle CA <input type="text" value=""/>	
X-Ray: <input type="text" value=""/>		# Manways <input type="text" value=""/>		# Inspection Ports <input type="text" value=""/>	
Volume: <input type="text" value=""/>		Design Flow <input type="text" value=""/>		Stress Relief <input type="text" value=""/>	
Diameter: 8.625 in <input type="text" value=""/>		Length/Height: 48 in <input type="text" value=""/>		Orientation Vertical <input type="text" value=""/>	
Support Type: Other <input type="text" value=""/>		Internal Coating /Cladding Type _____			
Internal Coating: N <input type="text" value=""/>		Insulation Thickness <input type="text" value=""/>		Painted / Primed N <input type="text" value=""/>	
<i>Internals</i>					
Component Type: _____		Manufacturer _____		Model _____	
Component Mat'l: _____		Component Size _____		Component CA <input type="text" value=""/>	
Removable: <input type="text" value=""/>					
Additional Characteristics for Treater					
Treater Type _____		Desand System <input type="text" value=""/>			
# Firetubes _____		Firetube S/N _____		Firetube Rating <input type="text" value=""/>	
Material Transfer Information					
Transfer Recorded By: _____					Date _____
From LSD <input type="text" value="S"/>		Twp <input type="text" value=""/>		Rge <input type="text" value=""/>	
Transfer Yard _____					
To LSD <input type="text" value="S"/>		Twp <input type="text" value=""/>		Rge <input type="text" value=""/>	
Facility _____				Receiving AFE: _____	
Additional Notes					
DRYING MEDIA: ACTIVATED ALUMINA SOLID (1/16 DIA.)					

ALBERTA MUNICIPAL AFFAIRS

ABSA, the pressure equipment safety authority

9410 - 20th Avenue

Edmonton, AB T6N 0A4

RECEIVED JUL 28 2008

MANUFACTURER'S DATA REPORT
FOR MINIATURE PRESSURE VESSELDÉCLARATION DE CONFORMITÉ DU CONSTRUCTEUR
D'APPAREILS SOUS PRESSION

Upon shipment of a pressure vessel, this form fully and correctly filled in must be mailed to the office of the Chief Inspector in the province of installation in accordance with the regulations under the Act, governing the construction and installation of pressure vessels.

Au moment de l'expédition d'un appareil sous pression, ce formulaire complété correctement, doit être envoyé au bureau de l'inspecteur en chef de la province d'installation tel que prévu dans les règlements de la loi sur les appareils sous pression.

Manufactured by <i>Construit par</i>	Name and address of Manufacturer/ <i>Nom et adresse du constructeur</i> Pyramid Process Fabricators; 2308-8th Street, Nisku, Alberta, T9E 7Z2
Manufactured for <i>Construit pour</i>	Name and address of Purchaser or Consignee/ <i>Nom et adresse du client ou de son représentant</i> PC Compression; 2308-8th Street, Nisku, Alberta, T9E 7Z2
Ultimate owner <i>Utilisateur</i>	Name and address/ <i>Nom et adresse</i>
Location of installation <i>Lieu d'installation</i>	Name and address/ <i>Nom et adresse</i>

Pressure vessel/ Appareil

Type/ <i>Genre</i> Bullet	Overall Length/ <i>Longueur totale</i> 4'-0" S/S	Serial No./ <i>N° de série</i> 08-3200-0000A	Year built/ <i>Année de fabrication</i> 2008
Provincial Registration No. - C.R.N./ <i>N° d'enregistrement provincial - N.E.C.</i> OH5228.23			Drawing No./ <i>N° de dessin</i> PV-061 Rev. 3

The chemical and physical properties of all parts meet the requirements of material specifications of the A.S.M.E. Code.

Les propriétés chimiques et physiques de toutes les composantes respectent les exigences des spécifications de matériaux de code ASME.

The design, construction and workmanship conform to CSA B51. <i>La conception, la construction et la façon sont conformes à ACNOR B51.</i>	ASME Section VIII	Division 1	Addenda/ <i>Supplément</i> 2007	Code case No. <i>N° de cas</i>
Manufacturer's partial data reports properly identified and signed by authorized inspectors have been furnished for the following items of the report, and attached to this report: <i>Les rapports partiels du constructeur adéquatement identifiés et signés par les inspecteurs autorisés ont été produits pour les items suivants du rapport, et attachés à ce rapport:</i>				
Names of parts/ <i>Nom de la composante</i>	Item No./ <i>N° d'item</i>	Manufacturer's Name/ <i>Nom du constructeur</i>	Identifying Stamp/ <i>Estampe d'identification</i>	

Shell/ Virole

Description	Material <i>Matériau</i>	Thickness <i>Épaisseur</i>	Corr. Allow. <i>Surépais. de corr.</i>	Diameter <i>Diamètre</i>	Longitudinal Joints <i>Joints longitudinaux</i>			P.W.H.T. <i>Traitement therm</i>		Girth Joints <i>Joints de circonférence</i>		Number of courses <i>Nombre de sections</i>
					Type	R.T. <i>Radiog.</i>	Efficiency <i>Efficacité</i>	Temp.	Time <i>Durée</i>	Type	R.T. <i>Radiog.</i>	
8" Pipe Shell	SA-106 Gr. B	0.322"	0.0625"	8.625"						1	Full	1

Heads/ Tetes

Description	Material <i>Matériau</i>	Min. Thickn. <i>Épals minim.</i>	Corr. Allow <i>Surép. Corr.</i>	Crown Radius <i>Rayon couron.</i>	Knuckle Radius <i>Petit rayon</i>	Ellipse Ratio <i>Rapp. ellipse</i>	Conical Apex Angle <i>Angle conique</i>	Hemisp. Radius <i>Ray. Hémisp</i>	Flat Diameter <i>Diam. plat</i>	Side to pressure <i>Côte sous pression</i>
8" Pipe Cap	SA-234-WPB	0.282"	0.0625"			2:1				Concave
8" Pipe Cap	SA-234-WPB	0.282"	0.0625"			2:1				Concave
Removable bolts used (describe other fastenings) <i>Boulons amovible utilisés (décrire tout autre attache)</i>					Mat'l Spec./ <i>Spéc. du mat.</i>			Grade		Size/ <i>Dimension</i>

Pressure - Temperature/ Pression - température

Pressure Vessel Part <i>Partie de l'appareil</i>	Constructed for max. allowable working pressure <i>Construit pour une pression maximale de marche permise</i>	At max. temp. <i>A une temp. max.</i>	Minimum design metal temp. <i>Temp. min.</i>	Test pressure (hydro-pneumatic or combination) <i>Pression d'épreuve (hydro-pneumatique ou combinaison)</i>
Bullet	550 PSI	600 F	-20 F	715 PSI

Tube Section/ Faisceau tubulaire

Tubesheet/ Plaque tubulaire	Material/ Matériau	Diameter/ Diamètre	Nominal Thickness Épaisseur nominale	Corr. Allow. Surépais. corrosion	Attachment Mode d'attachement
Tube material/ Matériau des tubes	Diameter/ Diamètre	Nominal Thickness (gauge) Épaisseur nominale (calibre)	Number/ Nbre	Type (Straight or U) Type (Droit ou U)	Heating Surface Surface de chauffe

Jacket/ Chemise

Type of jacket/ Genre de chemise	Jacket closure Fermeture de chemise	Proof Test Pression d'épreuve	Heating Surface Surface de chauffe	Sketch/ Schéma
----------------------------------	--	----------------------------------	---------------------------------------	----------------

Safety Valve Outlets/ Soupapes de sûreté

Number/ Nombre	Dimension	Location/ Endroit
----------------	-----------	-------------------

Nozzles and Openings/ Tubulures et ouvertures

Purpose/ But	Number Nombre	Dimension	Type	Material Matériau	Nominal Thickness Épaisseur nominale	Reinforcement material Matériau de renfort	How attached Genre d'attaches	Location/ Endroit
Sight Glass, C1	1	2"	3000# TOL	SA-105N	0.2970"		UW-16.1(c)	Shell
Vent, C2	1	1"	3000# TOL	SA-105N	0.2413"		UW-16.1(c)	Shell
Gas Inlet, C3	1	2"	3000# TOL	SA-105N	0.2970"		UW-16.1(c)	Bottom Head
Gas Outlet, C4	1	2"	3000# TOL	SA-105N	0.2970"		UW-16.1(c)	Top Head

Supports/ Supports

Skirt/ Jupe Yes/ Oui No/ Non <input checked="" type="checkbox"/> <input checked="" type="checkbox"/>	Lugs/ Oreilles No./ Nbre	Legs/ Pieds No./ Nbre	Other/ Autres (Description) Bolting Plate	Attached/ Attaches (Where and How/ Méthode et endroit) Shell By Welding
--	-----------------------------	--------------------------	---	--

Remarks/ Observations (Cubical capacity/ Volume)

Vessel Fabricated to Dwg # B-08-3200-0000-001 Rev. 1
 Vessel Volume = 1.45 cu. ft (0.041 cu. m)
 Vessel Impact Test Exempt per UG-20(f)

Certificate of Compliance/ Certificat de conformité

We certify that the statements made in this data report are correct and that the said vessel has been constructed in accordance with the Provincial Registered design below and the requirements of standard CSA B51.

Nous certifions que les données de la déclaration de conformité sont correctes et que l'appareil a été construit en accord avec l'enregistrement provincial ci-dessous et les exigences de la norme ACNOR B51.

Provincial Registered Design
 Enregistrement provincial OH5228.23

Manufacturer
 Constructeur Pyramid Process Fabricators

Signature [Signature] Date July 23/08
 (Representative)

Signature David Mansfield Date July 23/08
 (Certified Individual)

Valve, Piping and Fitting

Data Collected By: _____		Entry Date: _____		Package ID # I-980	
Equipment Class _____			Purchase Order # 8400005280		
Equipment Description: PRESSURE SAFETY VALVE				Tag No. PSV-1101	
Facility: _____					
Location: LSD _____		Sec _____		Twp _____	
Rge _____		W/ _____		Acquis Date _____	
Cost Center: _____			Acquis Value _____		
Equipment Status: _____			Ownership Status _____		
Manufacturer: MERCER VALVE CANADA			Year Built 2008		
Equipment Condition: _____			Model No. 9117D51V06E1		Serial No. 408237
Construction: _____					
Skid Weight: _____			Skid Size _____ (w x l x h)		
Common Characteristics					
Fluid Description		NATURAL GAS Service Sweet		Pressure Rating _____ Ansi	
CRN OG8841.5C		Code Stamp U		PP# _____	
Piping Body Material _____		Sched. Thick _____		C.A. _____	
Nominal Size _____		Internal Coating _____		Painted/Primed _____	
Additional Characteristics for ESD Valve, Choke and Specialty Valve					
Design Valve Type _____		MAWP _____		MDMT _____	
Trim _____		Internal Material _____		Actuator Type _____	
Fire Safe _____		WT Thickness _____		Bonnet Design _____	
Additional Characteristics for Safety Valves					
Capacity 228 SCFM		Service Date _____		Back Pressure _____	
Set Press. 100 psig		Pop Press. _____		Bonnet Design _____	
Inlet Size 1 in		Outlet Size 1 in		Trim Material STANDARD	
Inlet Connection M NPT		Outlet Connection F NPT		AND PIPING	
Equip. Protected V-110		S/N 8600.643		AND PIPING	
Equip. Protected P-610		S/N 1613183			
Equip. Protected _____		S/N _____			
Equip. Protected _____		S/N _____			
Additional Characteristics for Rupture Disc					
Rupture Pressure _____		Capacity _____			
Disc Mat'l _____		Equipment Protected _____		S/N _____	
		Equipment Protected _____		S/N _____	
Additional Characteristics for Piping and Manifold					
Design Pressure _____					
# Inlets _____		Inlet Diameter _____		Inlet Connection _____	
# Outlets _____		Outlet Diameter _____		Outlet Connection _____	
Additional Characteristics for Meter Run					
Type _____		Recorder Man. _____		Equiped with SCADA _____	
Chart Recorder _____		Straighting Vanes _____			
Material Transfer Information					
Transfer Recorded By: _____					
From LSD _____		Sec _____		Date _____	
Twp _____		Rge _____		W/ _____	
Transfer Yard _____					
To LSD _____		Sec _____		Receiving AFE _____	
Facility _____		Twp _____		Rge _____	
W/ _____					
Additional Notes					

Ensure Package ID Number is Identified on ALL Individual Equipment Item Templates



BRANCH: Edmonton

Serial #: 408237 ✓

Work Order: 412252

Customer PO#: 510203

Date: 5/13/2008

Customer: PC COMPRESSION

Facility: NISKU

LSD:

PSV Location:

A#:

Cust Id:

Cust. Ref.:

Valve PO: 510203

VALVE DATA

Man.: Mercer

Model: 91-17D51V06E1

Serial: 408237

Conn: Threaded

Inlet: 1 inch MNPT

Orifice: .122

Outlet: 1 inch FNPT

Set Pres: 100 PSI

Back Press: 0 PSI

Temp: 70 F

Cold/Diff Set Press: PSI

Cap: 228 SCFM

Lift Lever:

Cap Assembly: Closed

Trim: Standard

Code Symbol: UV

CRN#: 0G8841.5C

CUSTOMER INSTRUCTIONS

Valve Instruct. Factory Set

Instructions: Sold New Valve

Reset Required?

RESET INFORMATION: *New Pressure:*

New Cold/Diff Set:

New Capacity:

COMPONENTS INSPECTION

Components Installed

Components Removed

New Model #:

Spring #: 05-006

New Inlet Size:

Trim: Standard

Valve Medium: Gas / Air

Temperature: 70 F

Disassembly:

Inspection: Richard Anderson

Reassembly:

FINAL TEST:

Test Medium:

Simmer:

Set Pressure:

Reseat:

Leakage: BPM

B.P. Test:

Cold/Diff Set:

Test Gauge:

Tested by:

FINAL INSPECTION:

SEAL Installed:

End Protectors Installed:

Painted:

Palletized:

Ship Container:

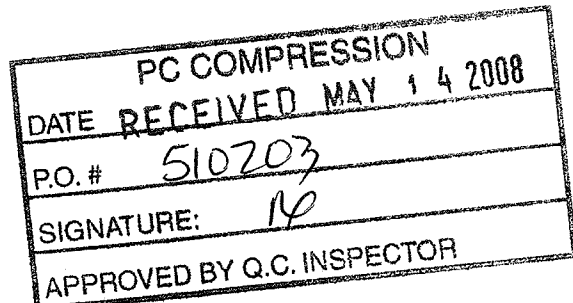
Flex Gaskets Supplied:

Final Inspection: Richard Anderson

Customer Inspection

INSPECTION ID#: 11919

Comments:



Valve, Piping and Fitting

Data Collected By: _____		Entry Date: _____		Package ID # I-980	
Equipment Class _____			Purchase Order # 8400005279		
Equipment Description: PRESSURE SAFETY VALVE				Tag No. PSV-1201	
Facility: _____					
Location: LSD _____		Sec _____		Twp _____	
Rge _____		W/ _____		Acquis Date _____	
Cost Center: _____			Acquis Value _____		
Equipment Status: _____			Ownership Status _____		
Manufacturer: MERCER VALVE CANADA			Year Built 2008		
Equipment Condition: _____			Model No. 9117D51V07E1		Serial No. 432039
Construction: _____					
Skid Weight: _____			Skid Size _____ (w x l x h)		
Common Characteristics					
Fluid Description		NATURAL GAS		Service Sweet _____	
CRN		OG8841.5C		Pressure Rating _____ Ansi	
Piping Body Material		Code Stamp _____		PP# _____	
Nominal Size		Sched. Thick _____		C.A. _____	
Internal Coating		Painted/Primed _____		_____	
Additional Characteristics for ESD Valve, Choke and Specialty Valve					
Design Valve Type		MAWP _____		@Max Temp. _____	
Trim		Internal Material _____		MDMT _____	
Fire Safe		WT Thickness _____		Actuator Type _____	
Bonnet Design		_____			
Additional Characteristics for Safety Valves					
Capacity		329 SCFM		Service Date _____	
Set Press.		150 psig		Pop Press. _____	
Inlet Size		1 in		Back Pressure _____	
Outlet Size		1 in		Bonnet Design _____	
Inlet Connection		M NPT		Outlet Connection _____	
F NPT		Trim Material		STANDARD	
Equip. Protected		V-120		S/N 8600.666	
Equip. Protected		E-510		S/N 80504006	
Equip. Protected		F-810		S/N _____	
Equip. Protected		S/N _____		AND PIPING	
AND PIPING		AND PIPING			
AND PIPING		AND PIPING			
Additional Characteristics for Rupture Disc					
Rupture Pressure		Capacity _____		_____	
Disc Mat'l		Equipment Protected _____		S/N _____	
Equipment Protected _____		S/N _____			
Additional Characteristics for Piping and Manifold					
Design Pressure _____					
# Inlets		Inlet Diameter _____		Inlet Connection _____	
# Outlets		Outlet Diameter _____		Outlet Connection _____	
Additional Characteristics for Meter Run					
Type _____		Recorder Man. _____		Equiped with SCADA _____	
Chart Recorder _____		Straighting Vanes _____			
Material Transfer Information					
Transfer Recorded By: _____					
From		LSD _____		Date _____	
Sec _____		Twp _____		Rge _____	
W/ _____		Transfer Yard _____			
To		LSD _____		Facility _____	
Sec _____		Twp _____		Rge _____	
W/ _____		Receiving AFE _____			
Additional Notes					

Ensure Package ID Number is Identified on ALL Individual Equipment Item Templates



BRANCH: Edmonton

Serial #: 432039 ✓

Work Order: 412495

Customer PO#: 510301-00

Date: 5/30/2008

Customer: PC COMPRESSION

Facility: NISKU

LSD:

PSV Location:

A#:

Cust Id:

Cust. Ref.:

Valve PO: 510301-00

VALVE DATA

Man.: Mercer

Model: 91-17D51V07E1

Serial: 432039

Conn: Threaded

Inlet: 1 inch MNPT

Orifice: .122

Outlet: 1 inch FNPT

Set Pres: 150 PSI

Back Press: 0 PSI

Temp: 70 F

Cold/Diff Set Press: PSI

Cap: 329 SCFM

Lift Lever:

Cap Assembly: Closed

Trim: Standard

Code Symbol: UV

CRN#: 0G8841.5C

CUSTOMER INSTRUCTIONS

Valve Instruct. Factory Set

Instructions: Sold New Valve

Reset Required?

RESET INFORMATION: New Pressure:

New Cold/Diff Set:

New Capacity:

COMPONENTS INSPECTION

Components Installed

Components Removed

New Model #:

Spring #: 05-007

New Inlet Size:

Trim: Standard

Valve Medium: Gas / Air

Temperature: 70 F

Disassembly:

Inspection: Richard Anderson

Reassembly:

FINAL TEST:

Test Medium:

Simmer:

Set Pressure:

Reseat:

Leakage: BPM

B.P. Test:

Cold/Diff Set:

Test Gauge:

Tested by:

FINAL INSPECTION:

SEAL Installed:

End Protectors Installed:

Painted:

Palletized:

Ship Container:

Flex Gaskets Supplied:

Final Inspection: Richard Anderson

Customer Inspection

INSPECTION ID#: 12069

Comments:

PC COMPRESSION	
DATE	RECEIVED JUN 02 2008
P.O. #	510301
SIGNATURE:	<i>MD</i>
APPROVED BY Q.C. INSPECTOR	

Valve, Piping and Fitting

Data Collected By: _____		Entry Date: _____		Package ID # I-980	
Equipment Class _____			Purchase Order # 8400005280		
Equipment Description: PRESSURE SAFETY VALVE				Tag No. PSV-1401	
Facility: _____					
Location: LSD _____		Sec _____		Twp _____	
Rge _____		W/ _____		Acquis Date _____	
Cost Center: _____			Acquis Value _____		
Equipment Status: _____			Ownership Status _____		
Manufacturer: MERCER VALVE CANADA			Year Built 2008		
Equipment Condition: _____			Model No. 9117D51V06E1		Serial No. 422161
Construction: _____					
Skid Weight: _____			Skid Size _____ (w x l x h)		
Common Characteristics					
Fluid Description		NATURAL GAS Service Sweet		Pressure Rating _____ Ansi	
CRN OG8841.5C		Code Stamp U		PP# _____	
Piping Body Material _____		Sched. Thick _____		C.A. _____	
Nominal Size _____		Internal Coating _____		Painted/Primed _____	
Additional Characteristics for ESD Valve, Choke and Specialty Valve					
Design Valve Type _____		MAWP _____		@Max Temp. _____	
Trim _____		Internal Material _____		MDMT _____	
Fire Safe _____		WT Thickness _____		Bonnet Design _____	
Additional Characteristics for Safety Valves					
Capacity 188 SCFM		Service Date _____		Back Pressure _____	
Set Press. 80 psig		Pop Press. _____		Bonnet Design _____	
Inlet Size 1 in		Outlet Size 1 in		Trim Material STANDARD	
Inlet Connection M NPT		Outlet Connection F NPT		AND DISCHARGE PIPING	
Equip. Protected FE-1401		S/N XJ70398-12		S/N _____	
Equip. Protected _____		S/N _____		S/N _____	
Equip. Protected _____		S/N _____		S/N _____	
Additional Characteristics for Rupture Disc					
Rupture Pressure _____		Capacity _____		Equipment Protected S/N _____	
Disc Mat'l _____		Equipment Protected _____		S/N _____	
Additional Characteristics for Piping and Manifold					
Design Pressure _____		# Inlets _____		Inlet Diameter _____	
# Outlets _____		Outlet Diameter _____		Inlet Connection _____	
Outlet Connection _____		Outlet Connection _____			
Additional Characteristics for Meter Run					
Type _____		Recorder Man. _____		Equiped with SCADA _____	
Chart Recorder _____		Straighting Vanes _____			
Material Transfer Information					
Transfer Recorded By: _____					
From LSD _____		Sec _____		Twp _____	
Rge _____		W/ _____		Date _____	
Transfer Yard _____					
To LSD _____		Sec _____		Twp _____	
Rge _____		W/ _____		Receiving AFE _____	
Facility _____					
Additional Notes					

Ensure Package ID Number is Identified on ALL Individual Equipment Item Templates



UNIFIED VALVE LTD.

MERCER VALVE INSPECTION AND TEST REPORT

BRANCH: Edmonton

Serial #: 422161 ✓

Work Order: 412638

Customer PO#: 510422

Date: 6/19/2008

Customer: PC COMPRESSION

Facility: NISKU

LSD:

PSV Location:

A#:

Cust Id:

Cust. Ref.:

Valve PO: 510422

VALVE DATA

Man.: Mercer

Model: 91-17D51V11E1

Serial: 422161

Conn: Threaded

Inlet: 1 inch MNPT

Orifice: .122

Outlet: 1 inch FNPT

Set Pres: 450 PSI

Back Press: 0 PSI

Temp: 70 F

Cold/Diff Set Press: PSI

Cap: 932 SCFM

Lift Lever:

Cap Assembly: Closed

Trim: Standard

Code Symbol: UV

CRN#: 0G8841.5C

CUSTOMER INSTRUCTIONS

Valve Instruct. Modify

Instructions: Sold New Valve

Reset Required?

RESET INFORMATION: New Pressure: 80 PSI ✓

New Cold/Diff Set:

New Capacity: 189 SCFM ✓

COMPONENTS INSPECTION

Components Installed

SPRING 05-006

Components Removed

SPRING 05-011

New Model #: 91-17D51V06E1

Spring #: 05-006

New Inlet Size:

Trim: Standard

Valve Medium: Gas / Air

Temperature: 70 F

Disassembly: Cory Mercer

Inspection: Cory Mercer

Reassembly: Cory Mercer

FINAL TEST:

Test Medium: Air

Simmer: 79 PSI

Set Pressure: 80 PSI

Reset: 74 PSI

Leakage: 0 BPM

B.P. Test: 60 PSI

Cold/Diff Set: N/A PSI

Test Gauge: MVE-04/DG

Tested by: Matt Wourms

FINAL INSPECTION:

SEAL Installed:

End Protectors Installed:

Painted:

Palletized:

Ship Container:

Flex Gaskets Supplied:

Final Inspection: Richard Anderson

Customer Inspection

INSPECTION ID#: 12216

Comments:

PC COMPRESSION	
DATE	RECEIVED JUN 23 2008
P.O. #	510422
SIGNATURE:	<i>RP</i>
APPROVED BY Q.C. INSPECTOR	

Valve, Piping and Fitting

Data Collected By: _____		Entry Date: _____		Package ID # I-980	
Equipment Class _____			Purchase Order # 8400005280		
Equipment Description: PRESSURE SAFETY VALVE				Tag No. PSV-2101	
Facility: _____					
Location: LSD _____		Sec _____		Twp _____	
Rge _____		W/ _____		Acquis Date _____	
Cost Center: _____			Acquis Value _____		
Equipment Status: _____			Ownership Status _____		
Manufacturer: MERCER VALVE CANADA			Year Built 2008		
Equipment Condition: _____			Model No. 9117D51V07E1		Serial No. 432040
Construction: _____					
Skid Weight: _____			Skid Size _____ (w x l x h)		
Common Characteristics					
Fluid Description NATURAL GAS		Service Sweet		Pressure Rating _____ Ansi	
CRN OG8841.5C		Code Stamp U		PP# _____	
Piping Body Material _____		Sched. Thick _____		C.A. _____	
Nominal Size _____		Internal Coating _____		Painted/Primed _____	
Additional Characteristics for ESD Valve, Choke and Specialty Valve					
Design Valve Type _____		MAWP _____		MDMT _____	
Trim _____		Internal Material _____		Actuator Type _____	
Fire Safe _____		WT Thickness _____		Bonnet Design _____	
Additional Characteristics for Safety Valves					
Capacity 329 SCFM		Service Date _____		Back Pressure _____	
Set Press. 150 psig		Pop Press. _____		Bonnet Design _____	
Inlet Size 1 in		Outlet Size 1 in		Trim Material STANDARD	
Inlet Connection M NPT		Outlet Connection F NPT		_____	
Equip. Protected CA-210		S/N 08F0A272K		AND PIPING	
Equip. Protected CA-220		S/N 08F0A268K		AND PIPING	
Equip. Protected _____		S/N _____		_____	
Equip. Protected _____		S/N _____		_____	
Additional Characteristics for Rupture Disc					
Rupture Pressure _____		Capacity _____		_____	
Disc Mat'l _____		Equipment Protected _____		S/N _____	
_____		Equipment Protected _____		S/N _____	
Additional Characteristics for Piping and Manifold					
Design Pressure _____		# Inlets _____		Inlet Diameter _____	
_____		Inlet Connection _____		_____	
# Outlets _____		Outlet Diameter _____		Outlet Connection _____	
Additional Characteristics for Meter Run					
Type _____		Recorder Man. _____		Equiped with SCADA _____	
Chart Recorder _____		Straighting Vanes _____		_____	
Material Transfer Information					
Transfer Recorded By: _____					
From LSD _____		Sec _____		Twp _____	
Rge _____		W/ _____		Date _____	
Transfer Yard _____					
To LSD _____		Sec _____		Twp _____	
Rge _____		W/ _____		Receiving AFE _____	
Facility _____					
Additional Notes					

Ensure Package ID Number is Identified on ALL Individual Equipment Item Templates



BRANCH: Edmonton

Serial #: 432040 ✓

Work Order: 412495

Customer PO#: 510301-00

Date: 5/30/2008

Customer: PC COMPRESSION

Facility: NISKU

LSD:

PSV Location:

A#:

Cust Id:

Cust. Ref.:

Valve PO: 510301-00

VALVE DATA

Man.: Mercer

Model: 91-17D51V07E1

Serial: 432040

Conn: Threaded

Inlet: 1 inch MNPT

Orifice: .122

Outlet: 1 inch FNPT

Set Pres: 150 PSI

Back Press: 0 PSI

Temp: 70 F

Cold/Diff Set Press: PSI

Cap: 329 SCFM

Lift Lever:

Cap Assembly: Closed

Trim: Standard

Code Symbol: UV

CRN#: 0G8841.5C

CUSTOMER INSTRUCTIONS

Valve Instruct. Factory Set

Instructions: Sold New Valve

Reset Required?

RESET INFORMATION: *New Pressure:*

New Cold/Diff Set:

New Capacity:

COMPONENTS INSPECTION

Components Installed

Components Removed

New Model #:

Spring #: 05-007

New Inlet Size:

Trim: Standard

Valve Medium: Gas / Air

Temperature: 70 F

Disassembly:

Inspection: Richard Anderson

Reassembly:

FINAL TEST:

Test Medium:

Simmer:

Set Pressure:

Reseat:

Leakage: BPM

B.P. Test:

Cold/Diff Set:

Test Gauge:

Tested by:

FINAL INSPECTION:

SEAL Installed:

End Protectors Installed:

Painted:

Palletized:

Ship Container:

Flex Gaskets Supplied:

Final Inspection: Richard Anderson

Customer Inspection

INSPECTION ID#: 12070

Comments:

PC COMPRESSION	
DATE	RECEIVED JUN 02 2008
P.O. #	510301
SIGNATURE:	<i>[Signature]</i>
APPROVED BY Q.C. INSPECTOR	

**PRESSURE VESSELS
HEAT EXCHANGERS AND CONDENSERS**

Data Collected By:	Entry Date:	Package ID #	I-980
Equipment Class	Purchase Order #	8400005280	
Equipment Description:	AIR COOLED EXCHANGER	Tag No.	E-510
Facility:			
Location:	LSD	Sec	Twp
			Rge
			W/
Cost Center:	Acquis Value	Acquis Date	
Equipment Status:		Ownership Status	
Manufacturer:	GLOBAL HEAT TRANSFER	Year Built	2008
Equipment Condition:	Model No.	GHT-450SC	Serial No.
			80504006
Construction:		Purchase Order #	
Skid Weight:		Skid Size	(w x l x h)

Common Characteristics			
Fluid Description:	NATURAL GAS	Service	Sweet
			Code Stamp
Prov. Reg. No.(A#):	CRN	OH7426.213	
Shell MAWP:	402	psig	@maxTem
			250
			°F
			MDMT
			-20
Shell Mat'l:	Shell Thick		Shell CA
Head Mat'l:	Head Thick		Head CA
Nozzle Type:	Nozzle Rtg	Ansi	
Nozzle Mat'l:	Nozzle Thick		Nozzle CA
X-Ray:		Stress Relief	
# Manways:	#Inspect.ports		
Volume:		Design Flow	
Diameter:		Length/Height	
Support Type:		Orientation	
Internal Coating:		Internal Coating /Cladding Type	
Insulated:	Insulation Thickness	Painted / Primed	

Additional Characteristics for Condenser, Shell&Tube Exchanger, and Air Cooled Exchanger			
TEMA Nomenclature	Shell Side Fluid	Service	
# Passes	#Banks	Tube Side Fluid	Service
Tube MAWP	@max Temp	TubeMDMT	
Tube Mat'l	Tube Thick	Tube CA	
Channel or Header Box Material	Thickness	CA	

Additional Characteristics for Plate and Spiral Coil Exchangers			
Hot Side Fluid	Description	Service	
Cold Side Fluid	Description	Service	
Plate/Coil Mat'l	Plt/Coil Thick	Plate/Coil CA	

Material Transfer Information			
Transfer Recorded By:		Date	
From	LSD	Sec	Twp
			Rge
			W/
Transfer Yard			
To	LSD	Sec	Twp
			Rge
			W/
Facility			Receiving AFE:

Additional Notes

ALBERTA MUNICIPAL AFFAIRS
 ABSA – the pressure equipment authority
 200, 4208 - 97 Street
 Edmonton AB T6E 5Z9

RECEIVED JUN 23 2008

**MANUFACTURER'S DATA REPORT
 FOR MINIATURE PRESSURE VESSEL
 DÉCLARATION DE CONFORMITÉ DU CONSTRUCTEUR
 D'APPAREILS SOUS PRESSION**

Upon shipment of a pressure vessel, this form fully and correctly filled in must be mailed to the office of the Chief Inspector in the province of installation in accordance with the regulations under the Act, governing the construction and installation of pressure vessels.

Au moment de l'expédition d'un appareil sous pression, ce formulaire complété correctement, doit être envoyé au bureau de l'inspecteur en chef de la province d'installation tel que prévu dans les règlements de la loi sur les appareils sous pression.

Manufactured by Construit par	Name and address of Manufacturer/ Nom et adresse du constructeur GLOBAL HEAT TRANSFER LTD., 7716-67 STREET, EDMONTON ALBERTA
Manufactured for Construit pour	Name and address of Purchaser or Consignee/ Nom et adresse du client ou de son représentant UNKNOWN
Ultimate owner Utilisateur	Name and address/ Nom et adresse UNKNOWN
Location of installation Lieu d'installation	Name and address/ Nom et adresse UNKNOWN

Pressure vessel/ Appareil

Type/ Genre Category H Pressure Fitting (450 Gas Threaded)	Overall Length/Longueur totale 622.3mm	Serial No./ N° de série (Series 450JUN08A) 080504001, 080504002, 080504003, 080504004, 080504005, 080504006, 080504007, 080504008, 080504009, 080504010, 080504011	Year built/Année de fabrication 2008
Provincial Registration No. – C.R.N./N° d'enregistrement provincial - N.E.C. OH 7426.213		Drawing No./ N° de dessin 21-80001 REV 2	

The chemical and physical properties of all parts meet the requirements of material specifications of the A.S.M.E. Code.
 Les propriétés chimiques et physiques de toutes les composantes respectent les exigences des spécifications de matériaux de code ASME.

The design, construction and workmanship conform to CSA B51. La conception, la construction et la façon sont conformes à ACNOR B51.	ASME Section VIII	Division 1	Addenda/Supplément 2007	Code case No. N° de cas 2148
--	-----------------------------	----------------------	-----------------------------------	---

Manufacturer's partial data reports properly identified and signed by authorized inspectors have been furnished for the following items of the report, and attached to this report:
 Les rapports partiels du constructeur adéquatement identifiés et signés par les inspecteurs autorisés ont été produits pour les items suivants du rapport, et attachés à ce rapport:

Names of parts/ Nom de la composante	Item No./ N° d'item	Manufacturer's Name/ Nom du constructeur	Identifying Stamp/ Estampe d'identification

Shell/ Virole

Description	Material Matériau	Thickness Épaisseur	Corr. Allow. Surépais. de corr.	Diameter Diamètre	Longitudinal Joints Joints longitudinaux			P.W.H.T. Traitement therm		Girth Joints Joints de circonférence		Number of courses Nombre de sections
					Type	R.T. Radiog.	Efficiency Efficacité	Temp.	Time Durée	Type	R.T. Radiog.	

Heads/ Tetes

Description	Material Matériau	Min. Thicken. Épais minim.	Corr. Allow. Surép. Corr.	Crown. Radius Rayon couron.	Knuckle Radius Petit rayon	Ellipse Ratio Rapp. ellipse	Conical Apex Angle Angle conique	Hemisp. Radius Ray. Hémisp.	Flat Diameter Diam.plat	Side to pressure Côte sous pression
88.9mm (3.5") Channel (Manifold)	SB221 6061 T6	4.8mm (.188")	N/A	N/A	N/A	N/A	N/A	N/A	N/A	N/A
End Cap	SB209 6061 T6	9.5mm (.374")	N/A	N/A	N/A	N/A	N/A	N/A	N/A	N/A

Removable bolts used (describe other fastenings)
 Boulons amovible utilisés (décrire tout autre attache)

Mat'l Spec./ Spéc. du mat.

Grade

Size/ Dimension

Pressure - Temperature/ Pression - température

Pressure Vessel Part de l'appareil	Constructed for max. allowable working pression Construit pour une pression maximale de marche permise	At max. temp. A une temp. max.	Minimum design metal temp. Temp. min.	Test pressure (hydro-pneumatic or combination) Pression d'épreuve (hydro-pneumatique ou combinaison)
Complete Unit	402 PSI	250 F	-20 F	531 PSI

Tube Section/ Faisceau tubulaire

Material/ Matériau	Diameter/ Diamètre	Nominal Thickness Épaisseur nominale	Corr. Allow. Surépais. corrosion	Attachment Mode d'attachement
Tubesheet/ Plaque tubulaire				
Tube material/ Matériau des tubes	Diameter/ Diamètre	Nominal Thickness (gauge) Épaisseur nominale (calibre)	Number/ Nbre	Type (Straight or U) Type (Droit ou U)
SB221/SB209 3003	N/A	N/A	N/A	N/A

Jacket/ Chemise

Type of jacket/ Genre de chemise	Jacket closure Fermeture de chemise	Proof Test Pression d'épreuve	Heating Surface Surface de chauffe	Sketch/ Schéma

Safety Valve Outlets/ Soupapes de sûreté

Number/ Nombre	Dimension	Location/ Endroit

Nozzles and Openings/ Tubulures et ouvertures

Purpose/ But	Number Nombre	Dimension	Type	Material Matériau	Nominal Thickness Épaisseur nominale	Reinforcement material Matériau de renfort	How attached Genre d'attaches	Location/ Endroit
Inlet / Outlet	2	1.5" NPT	Half Coupling	SB221 6061 T6	0.3"	N/A	UW-16.1 (bb)	Manifold End
Drain	1	0.25" NPT	Half Coupling	SB221 6061 T6	0.3"	N/A	UW-16.1 (bb)	Manifold Top

Supports/ Supports

Skirt/ Jupe Yes/ Oui No/ Non <input type="checkbox"/> <input type="checkbox"/>	Lugs/ Orelles No./ Nbre	Legs/ Pieds No./ Nbre	Other/ Autres (Description)	Attached/ Attaches (Where and How/ Méthode et endroit)

Remarks/ Observations (Cubical capacity/ Volume)

Refer Dwg 638001 Rev 0
PO# SJ3-170577

Certificate of Compliance/ Certificat de conformité

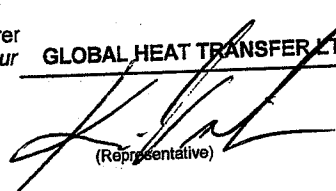
We certify that the statements made in this data report are correct and that the said vessel has been constructed in accordance with the Provincial Registered design below and the requirements of standard CSA B51.

Nous certifions que les données de la déclaration de conformité sont correctes et que l'appareil a été construit en accord avec l'enregistrement provincial ci-dessous et les exigences de la norme ACNOR B51.

Provincial Registered Design
Enregistrement provincial OH 7426.213

Manufacturer
Constructeur GLOBAL HEAT TRANSFER LTD.

Signature



(Representative)

Date 5 JUN 09

Signature

(Certified Individual)

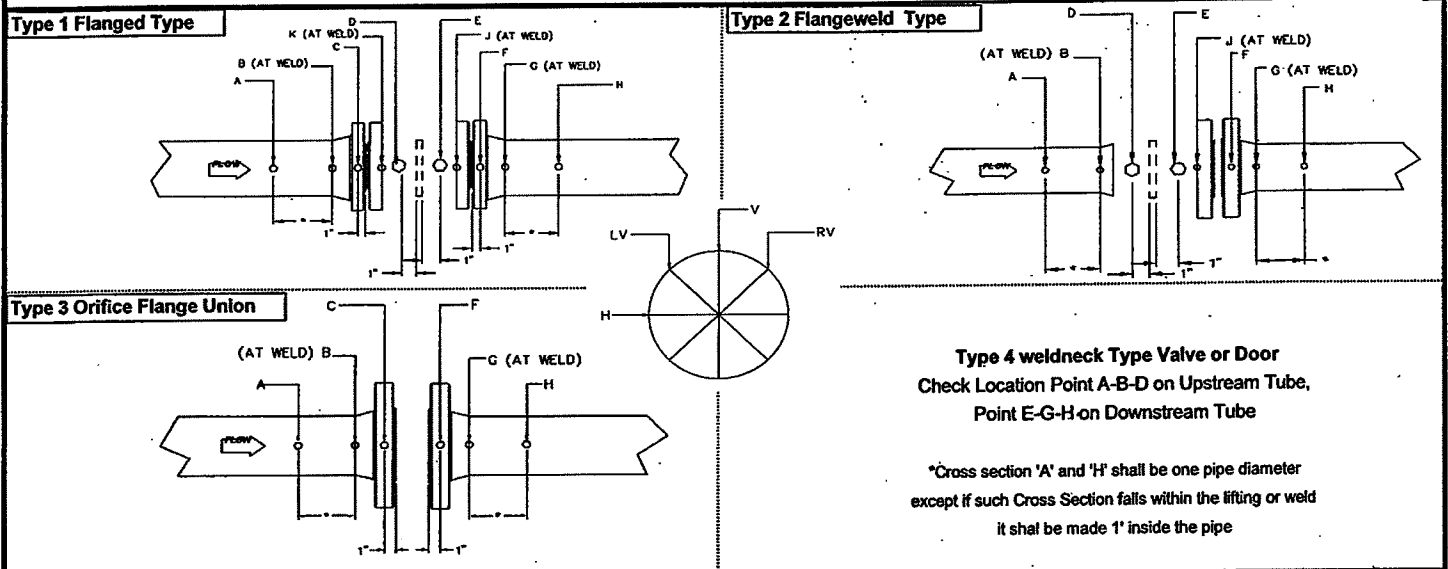
Date

Valve, Piping and Fitting

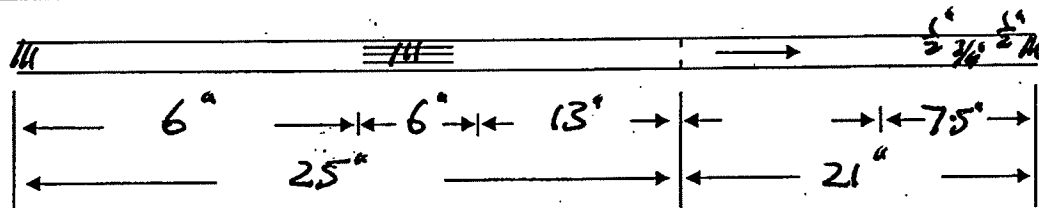
Data Collected By: _____		Entry Date: _____		Package ID # I-980	
Equipment Class _____			Purchase Order # 8400005280		
Equipment Description: METER RUN				Tag No. FE-1401	
Facility: _____					
Location: LSD		Sec		Twp	
Rge		W/			
Cost Center: _____		Acquis Value _____		Acquis Date _____	
Equipment Status: _____		Ownership Status _____			
Manufacturer: NUFLO		Year Built 2008			
Equipment Condition: _____		Model No. 40422-34221		Serial No. XJ70398-12	
Construction: _____					
Skid Weight: _____		Skid Size _____		(w x l x h)	
Common Characteristics					
Fluid Description		NATURAL GAS Service Sweet		Pressure Rating 600# Ansi	
CRN		OF01120.213 Code Stamp		PP#	
Piping Body Material		SA-106 B Sched. Thick SCH 80		C.A.	
Nominal Size		2 in Internal Coating N		Painted/Primed Y	
Additional Characteristics for ESD Valve, Choke and Specialty Valve					
Design Valve Type		MAWP		@Max Temp.	
Trim		Internal Material		MDMT	
Fire Safe		WT Thickness		Bonnet Design	
Additional Characteristics for Safety Valves					
Capacity		Service Date		Back Pressure	
Set Press.		Pop Press.		Bonnet Design	
Inlet Size		Outlet Size		Trim Material	
Inlet Connection		Outlet Connection			
Equip. Protected		S/N			
Equip. Protected		S/N			
Equip. Protected		S/N			
Equip. Protected		S/N			
Additional Characteristics for Rupture Disc					
Rupture Pressure		Capacity			
Disc Mat'l		Equipment Protected		S/N	
		Equipment Protected		S/N	
Additional Characteristics for Piping and Manifold					
Design Pressure		# Inlets		Inlet Diameter	
				Inlet Connection	
		# Outlets		Outlet Diameter	
				Outlet Connection	
Additional Characteristics for Meter Run					
Type Junior		Recorder Man.		Equipped with SCADA N	
Chart Recorder N		Straightening Vanes Y			
Material Transfer Information					
Transfer Recorded By: _____					
From LSD		Sec		Twp	
Rge		W/		Date	
Transfer Yard _____					
To LSD		Sec		Twp	
Rge		W/		Receiving AFE	
Facility _____					
Additional Notes					
2" 600# SCH 80 SINGLE CHAMBER					

Meter Tube Calibration Record
General Specifications

Customer:		Date:	MARCH 05/ 2007
Location:	STOCK	P.O. Number:	
Serial No.	XJ70398-12	Work Order No.	XJ70398
Assembly Part No.	[40422] - 0094	Part No.	40422-34221
Orifice Fitting:	2" 600# SCH. 80 SINGLE CHAMBER	Meter Tube Type No.	2
Straightening Vane:		Yes	X No



Location	Upstream Meter Tube					Downstream Meter Tube					
	A	B	C	D	K	E	F	G	H	J	
V	1.939	1.932		1.939		1.939	1.947	1.930	1.940	1.944	
LV	1.936	1.932		1.939		1.939	1.945	1.936	1.935	1.949	
RV	1.937	1.933		1.939		1.939	1.946	1.937	1.937	1.944	
H	1.938	1.936		1.939		1.939	1.945	1.933	1.936	1.943	
Average	1.937	1.933		1.939		1.939	1.945	1.934	1.937	1.945	
Upstream Mean Average to Stamp on I.D. Plate	1.939					Downstream Mean Average to Stamp on I.D. Plate	1.939				



AGA/API Figure	3C	BETA	0.70	Meter Tap Location	Upstream	1"	Downstream	1"
----------------	----	------	------	--------------------	----------	----	------------	----

Remarks: 68°F

Inspector: J. D. Penz

ROTATING MECHANICAL PUMPS

Data Collected By: _____		Entry Date: _____		Package ID # I-980	
Equipment Class _____		Purchase Order # 8400005280			
Equipment Description: PUMP		Tag No. P-610			
Facility: _____					
Location: LSD _____		Sec _____		Twp _____	
		Rge _____		W/ _____	
Cost Center: _____		Acquis Value _____		Acquis Date _____	
Equipment Status: _____		Ownership Status _____			
Manufacturer: SANDPIPER		Year Built 2008			
Equipment Condition: _____		Model No. PCC1, GABTXNSX		Serial No. 1613183	
Construction: _____					
Skid Weight: _____		Skid Size _____ (w x l x h)			
Common Characteristics					
Fluid Description NAT. GAS/LIQUID		Service Sweet		Orientation Horizontal	
Design Cap 45 gpm		Min.Suct.Head _____			
Driven By Motor		Pump MAWP 100 psig		Pump HP Rating _____	
Rated Head _____		Rotation _____		(viewed from Drive End)	
# Stages _____		Max Frame Speed _____ RPM			
Sheave Type _____		Sheave Size _____		Belt Size _____	
Additional Characteristics for Reciprocating Pumps					
# Cylinders _____		Plunger Size _____		Stroke _____	
Valve Manufacturer _____		Liner _____			
Additional Characteristics for Rotary Pumps					
Rotary Pump Type _____		Rotor Mount _____			
Additional Characteristics for Centrifugal Pumps					
Casing Type _____					
Csg MAWP _____		Csg Mat'l _____		Internal Coating _____	
Additional Characteristics for Controlled Volume Pumps					
# Cylinders _____		Displacement _____			
Material Transfer Information					
Transfer Recorded By: _____		Date _____			
From LSD _____		Sec _____		Twp _____	
		Rge _____		W/ _____	
Transfer Yard _____					
To LSD _____		Sec _____		Twp _____	
		Rge _____		W/ _____	
Facility _____		Receiving AFE: _____			
Additional Notes					

ELECTRICAL

Data Collected By:		Entry Date		Package ID#	I-980
Equipment Class	▼	Purchase Order #	8400005280		
Equipment Description:	SCROLL VFD PANEL		Tag No.		
Facility:					
Location: LSD	▼	Sec	▼	Twp	▼
		Rge	▼	W/	▼
Cost Center:	Acquis Value		Acquis Date		
Equipment Status:	▼	Ownership Status		▼	
Manufacturer:	PYRAMID CORPORATION			Year Built	2008
Equipment Condition:	▼	Model No.	SCROLL VFD	Serial No.	A131-9193
Construction:	▼				
Skid Weight:	▼	Skid Size		▼ (w x l x h)	
Common Characteristics					
Size / HP Rating:	▼	Service		▼	
Elec. Class:	CLASS I	Elec. Division		DIV II	Elec Group
Primary Voltage:	480/120VAC/24VDC	Primary Current			
No. of Phases:	3	Frequency	60 Hz		
Current:	20/5/30	Amps	Enclosure Style		
Operating Temp.:	▼				
Additional Characteristics for MCC and Switchgear					
Main / Horizontal Bus		Material	▼	Rating	
Vertical Bus		Material	▼	Rating	
Enclosure EEMAC:	▼				
Main Breaker Size:	▼	Metering	Starter		
Additional Characteristics for Transformers					
Secondary Voltage:		Secondary Current	Winding Config.		
Power Factor:		Efficiencies			
Rating:	▼	Tap Voltages:	▼	Insulating Liquid	Excitation
Additional Characteristics for UPS Systems					
kVA Rating:		Input Voltage		Output Voltage	
Material Transfer Information					
Transfer Recorded By:					Date
From	LSD	▼	Sec	▼	Twp
			Rge	▼	W/
Transfer Yard					
To	LSD	▼	Sec	▼	Twp
			Rge	▼	W/
Facility					Receiving AFE:
Additional Notes					

Ensure Package ID Number is Identified on ALL Individual Equipment Item Templates