

**E-325
GAS/GAS EXCHANGER**

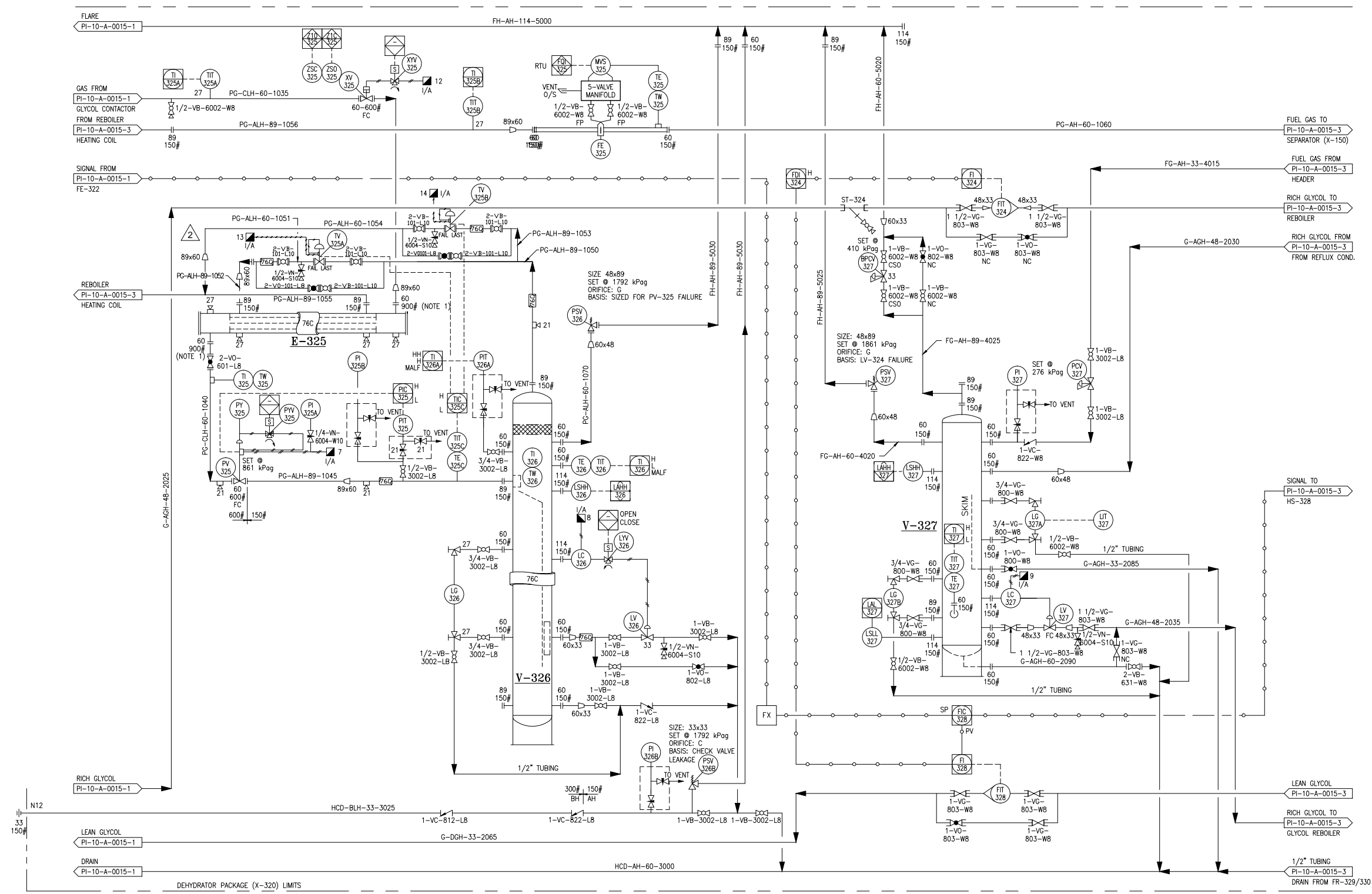
VENDOR: CALHEX
MAKE/MODEL: NEN 102-3658 (4"x14")
D.P. TUBESIDE: 9632 kPag @ -40/78°C
D.P. SHELLSIDE: 1840 kPag @ -40/78°C
LOW TEMP MATERIAL CONSTRUCTION
C.A.: 1.6mm

**V-326
LOW TEMP. SEPARATOR**

VENDOR: SPECTRUM
SIZE: 406mm O.D. x 1626mm S/S
M.A.W.P.: 1793 kPag @ -49/66°C
C.A.: 1.6mm

**V-327
GLYCOL FLASH TANK**

VENDOR: SPECTRUM
SIZE: 508mm O.D. x 1219mm S/S
D.P.: 1861 kPag @ -29/66°C
2-PHASE VERTICAL



NOTE:
1. E-325 HAS 2"-900# RF FLANGES. PRESSURES STILL IN 600# RANGE (HUSKY CLH SPEC.)

No.	DATE	REVISIONS	BY	CHK	REW	APP	PM	No.	DATE	REVISIONS	BY	CHK	REW	APP	PM
A	JUL 06, 2014	ISSUED FOR APPROVAL	LG					2	NOV 28, 2014	REMOVED HOLD, CON. RED.; ADDED LINE NOS., CON. RED., FLANGES; ADDED GLYCOL DRAIN CONN.; REVISED VALVE TAGS	LG				
B	AUG 27, 2014	RE-ISSUED FOR APPROVAL	LG												
D	SEP 17, 2014	ISSUED FOR CONSTRUCTION	AK												
1	NOV 07, 2014	REMOVED HOLDS; ADDED HOLD ON PSV-326B, CON. REDUCER (PSV-327), REV'D PCV-327 SETTING	LG	TMD	JH	JH	LA	3	JAN 16, 2015	AS-BUILT	JC				

THIS DRAWING IS THE PROPERTY OF SPECTRUM PROCESS SYSTEM INC. AND LOANED TO THE RECIPIENT FOR HIS CONFIDENTIAL USE ONLY. IN CONSIDERATION OF THE LOAN OF THIS DRAWING, THE RECIPIENT PROMISES AND AGREES THAT IT SHALL NOT BE USED IN ANY WAY DETRIMENTAL TO THE INTEREST OF SPECTRUM PROCESS SYSTEM INC., THAT IT SHALL BE RETURNED UPON REQUEST, AND THAT IT SHALL NOT BE REPRODUCED, COPIED, LENT OR OTHERWISE DISPOSED OF DIRECTLY OR INDIRECTLY, NOR USED FOR ANY PURPOSE OTHER THAN THAT INTENDED WITHOUT THE WRITTEN PERMISSION OF SPECTRUM PROCESS SYSTEM INC.

ENGINEERS RECORD	DATE
DRAWN BY: LERIC GALARSE	JUL 03, 2014
CHECKED BY: TANYA DIXON	NOV 07, 2014
REVIEWED BY: JASON HYSHKA	NOV 07, 2014
APPROVED BY: JASON HYSHKA	NOV 07, 2014
PM APP'D. BY: LANE ARIAS	NOV 06, 2014
Q.C. APP'D. BY:	



CLIENT	HUSKY ENERGY c/o EXCELSIOR ENGINEERING
PROJECT	DEHYDRATION AND JT PACKAGE LSD: 02-20-050-18 WEST COMPRESSOR STATION RAVEN CREEK
TITLE	PIPING AND INSTRUMENTATION DIAGRAM
Scale	JOB No. NTS
DWG. No.	SPS-14-05110
REV.	F-14-05110-01-002

P.O. # 8400843246