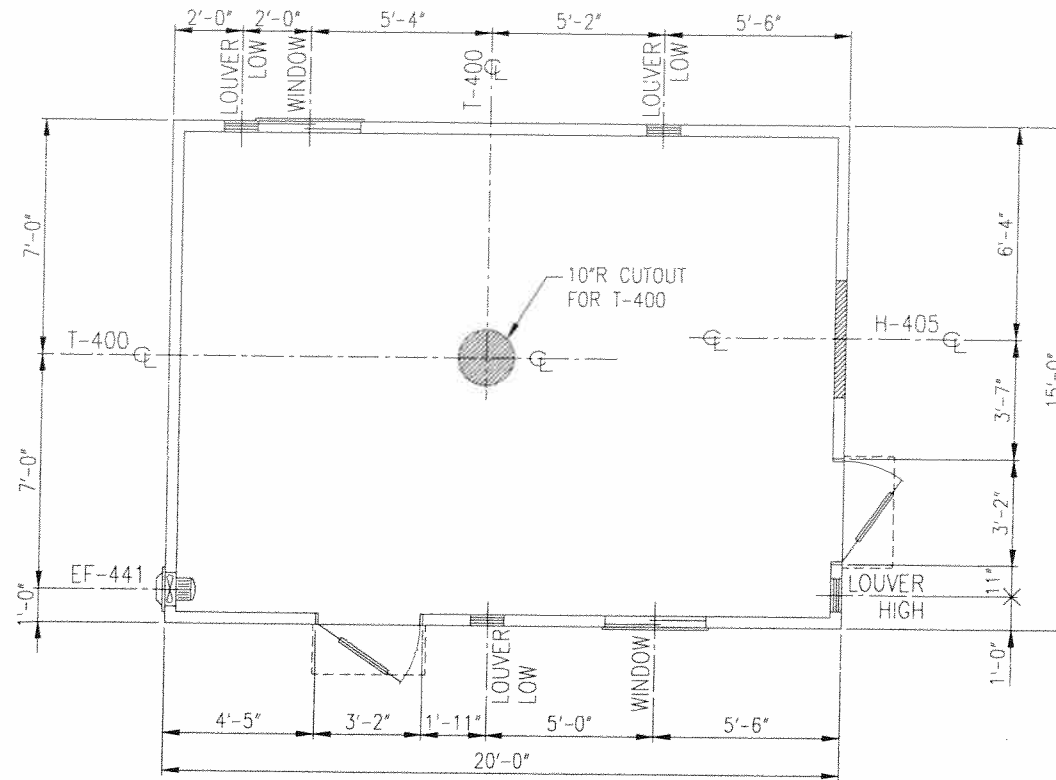
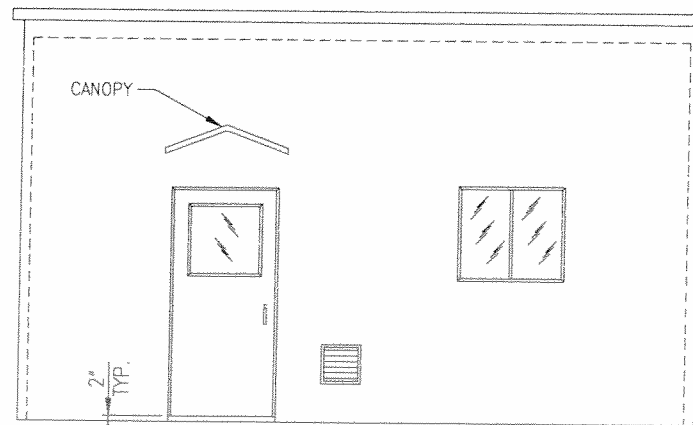


BUILDING SPECIFICATIONS

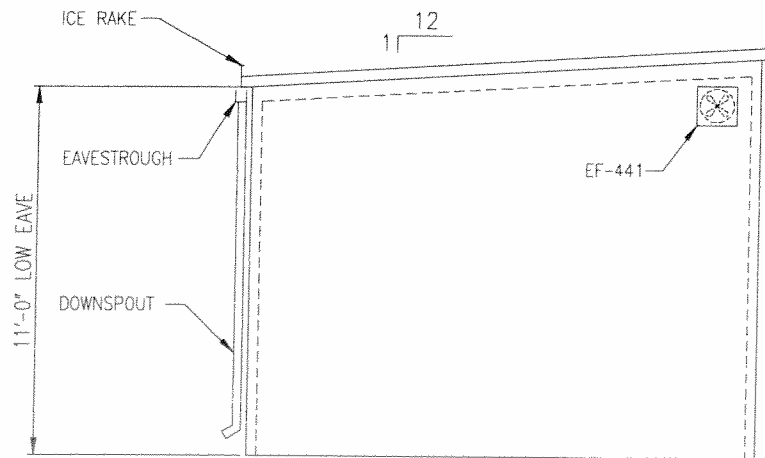
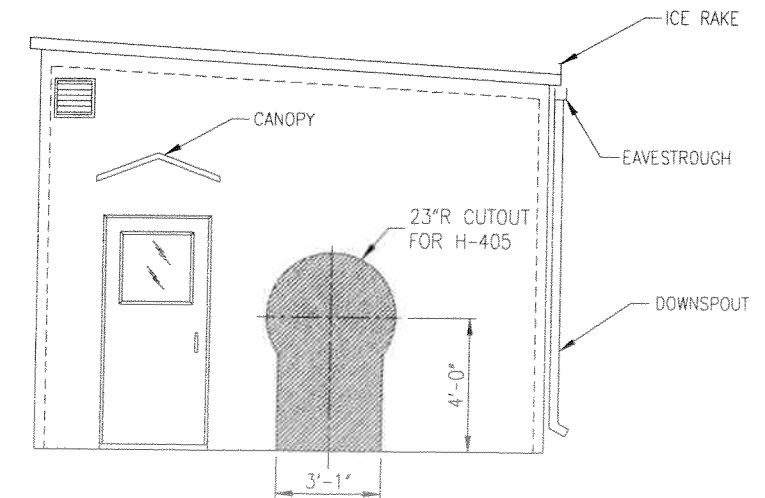
- ONE (1) 15'-0" x 20'-0" x 11'-0" MIN. EAVE SHED TYPE SELF FRAMING PRE-PAINTED BUILDING c/w:
 - 22 GAUGE PRE-PAINTED EXTERIOR GOLD (QC-B276) WALLS & ROOF; BROWN (QC-8228) DOORS & TRIM.
 - 24 GAUGE FLUTED ALUMINUM INTERIOR (PRE-PAINTED WHITE W/ WHITE SCREWS).
 - R12 (3 1/2" THK) INSULATION WALLS AND R20 (5 1/2" THK) INSULATION ROOF c/w 6 MIL VAPOR BARRIER (JOINTS TO BE TAPED)
 - TWO (2) 3'-0" x 7'-0" MAN DOORS EACH c/w R3 INSULATION PANIC HARDWARE, WIND CHAIN, LOCK SET, WEATHERSTRIPPING, HYDRAULIC CLOSURE, ALUMINUM THRESHOLD, CANOPY, IWG WINDOW.
 - TWO (2) MANUFACTURER STD 36" SLIDING WINDOWS, DOUBLE GLAZED w/ LATCH & BUG SCREEN.
 - FOUR (4) 12" x 12" MANUALLY ADJUSTABLE WALL LOUVERS w/ SCREEN.
 - ONE (1) WALL MOUNTED EXHAUST FAN (12 AC/Hr, EXPLOSION PROOF MOTOR, 120V/1Ph/60Hz).
 - ICE RAKES, EAVE TROUGHS AND DOWNSPOUTS.
 - FLASHING TO BE PROVIDED FOR GABLE AND EAVE CORNERS AND INSTALLED AROUND DOORS, LOUVERS & ALL OPENINGS IN WALLS & ROOF.
 - ALL PIPING AND EQUIPMENT WALL PENETRATIONS TO BE SEALED w/ SILICON RUBBER.
 - INTERIOR BASE FLASHING REQ'D TO SUIT A 2" HIGH DRIP LIP.
 - EXTERIOR BASE FLASHING REQ'D.
 - ESTIMATED SHIPPING WEIGHT: 6,500 LBS.
 - P.ENG (AB) STAMPED BUILDING DRAWING.



PLAN



ELEVATION



VENDOR ACTION

- REVISE THIS DRAWING AS PER COMMENTS.
- RE-SUBMIT DRAWING FOR APPROVAL.
- APPROVED AS NOTED PROCEED WITH CONSTRUCTION RE-SUBMIT REVISED DRAWING APPROVED FOR CONSTRUCTION.

SIGNED: *[Signature]* ON 11-03-28 DATE

PROJECT ENGINEER

INTERNAL APPROVAL DRAWING CHECK

APPROVAL INITIALS	DATE	ITEM NO.
JEFF	11-03-24	
MA	11-03-28	
CO	11-03-28	
NA	11-03-28	
EH	11-03-28	

PROJ# 2479

ONE (1) UNIT REQUIRED

REV.	DATE	REV. BY	CHK'D BY	DESCRIPTION
0	2011-03-23	KMS		ISSUED FOR CONSTRUCTION

ALCO GAS & OIL PRODUCTION EQUIPMENT LTD.

The information contained herein is the confidential property of Alco Gas and Oil Production Equipment Ltd., and is not for publication. The information is issued on the understanding that no part thereof shall be copied or communicated to a third party without authorization in writing from Alco Gas and Oil Production Equipment Ltd.

15'-0" x 20'-0" x 11'-0" MIN. EAVE CONDENSATE STABILIZER BUILDING

LOCATION: MINEHEAD COMPRESSOR STATION L.S.D.. 03-06-049-18 WSM

CUSTOMER: HUSKY OIL OPERATIONS LTD. c/o EXCELSIOR ENGINEERING LTD.

DWG/SHOP ORDER: B-2011-8169-50-001/001 REV. 0