
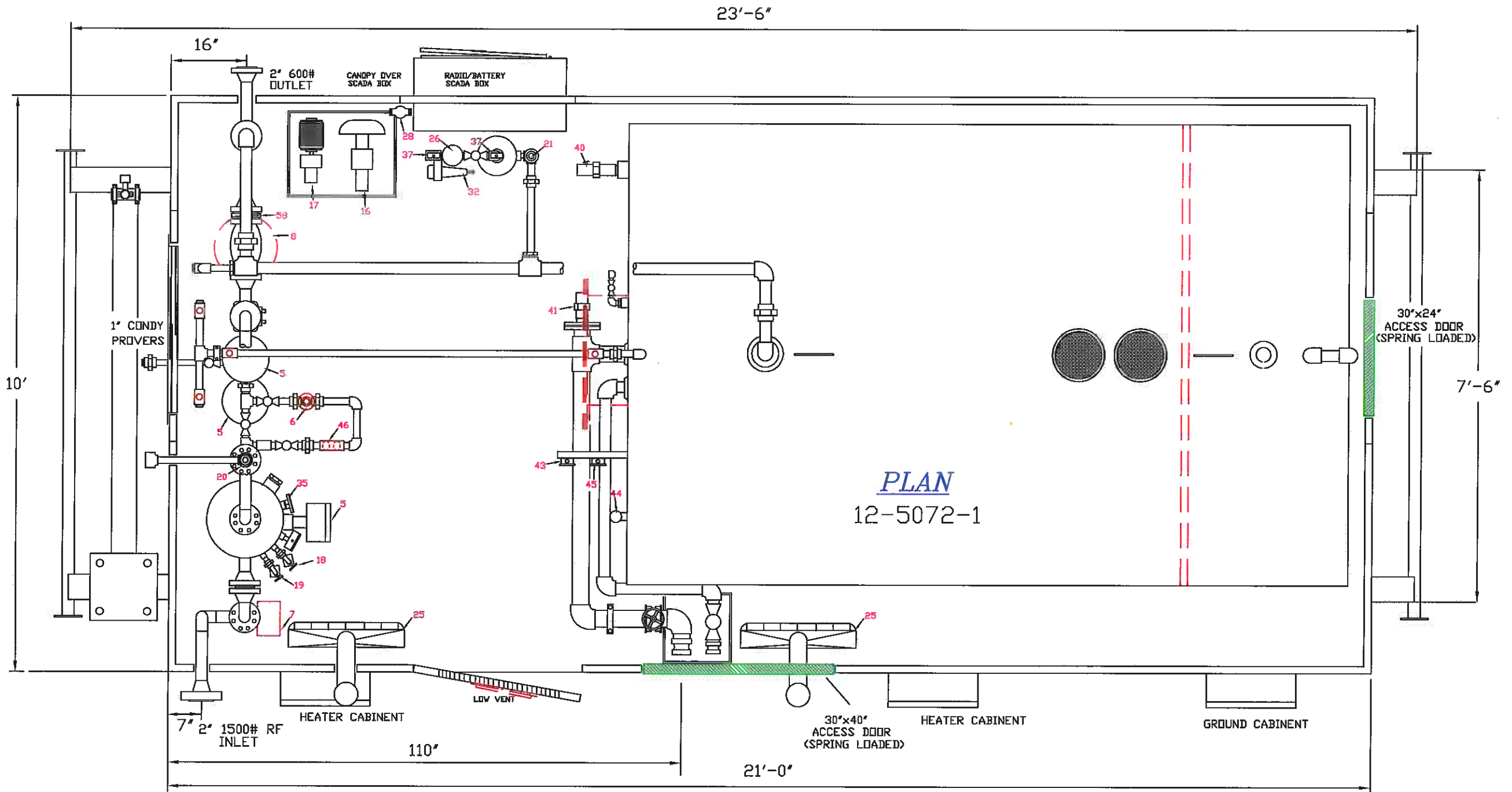
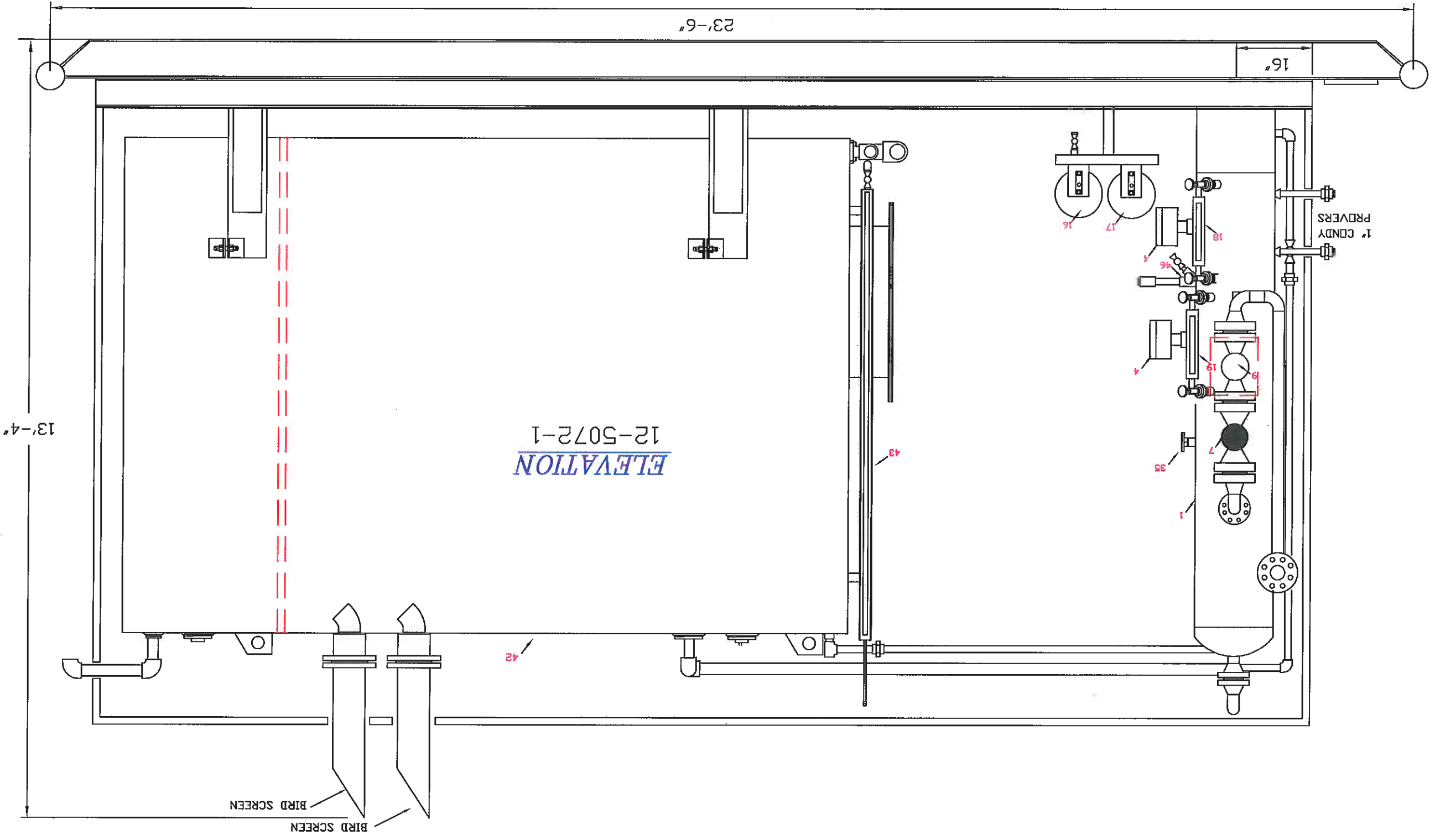


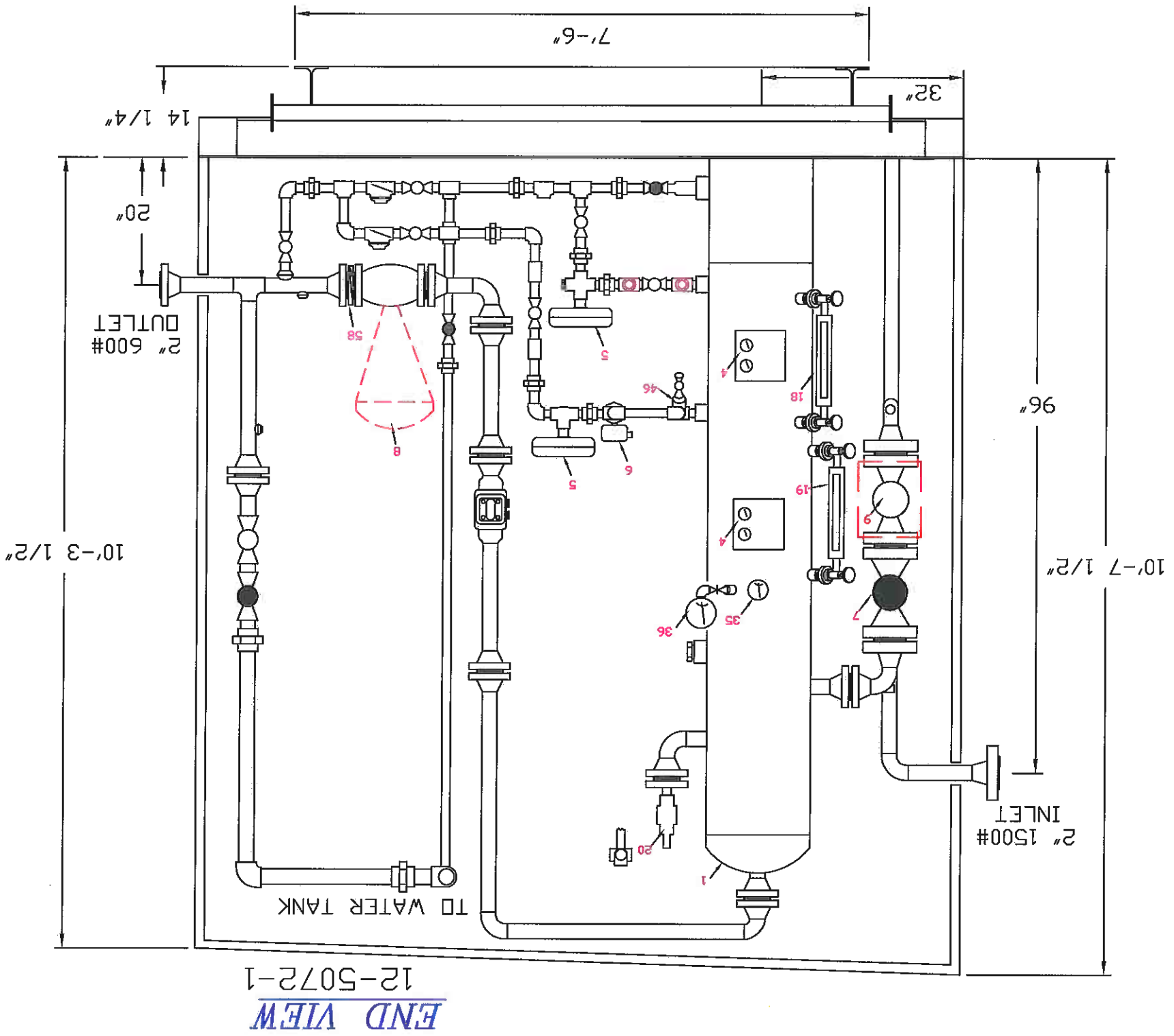
SHIPPING DETAILS

TOTAL WIDTH- 10'-8" TOTAL LENGTH- 26'-6"
 TOTAL HEIGHT- 12'-4" APROX. WEIGHT- 14800 LBS

REV	DATE	DESCRIPTION	BY
			
GAS FIELD SERVICES. 4901- BRUCE RD. VEGREVILLE, ALTA T9C-1C3 PHONE (780) 632-7774 FAX (780) 632-6820			
TITLE: <u>HUSKY OIL OPERATIONS</u> 16"x7'-6" s/s 1500#/600# ANSI SEPARATOR/METER SKID UNIT, 3 PHASE CONTROLS, SCADA, 2" SENIOR METER RUN, 19,500 LITRE TANK			
DWG. #		5072-1	REV. #
			RJV JOB # 12-5072
<p><u>WARNING !</u></p> <p>This drawing and the design it covers are confidential and shall not be disclosed in any manner, or used for any purpose, except with written consent of, R.J.V. Gas Field Services Ltd.</p>			
DWN. BY:		SI	DATE: DEC. 8/12
			SCALE: NTS







END VIEW
 12-5072-1

EQUIPMENT & MATERIAL

TAG#	ITEM	QTY	DESCRIPTION
V-100	1	1	RJV 16"X7'-6" s/s 600 ANSI, 1440 PSI, 3 PHASE, VERTICAL MISTEX SEPARATOR c/w 1/16" CORROSION ALLOWANCE.
FE-100	2	1	NUFLO 2" 600 ANSI SCH 80 (SENIOR) DRIFICE FITTING AGA FIG 3C, .70 BETA RATIO, 3 TAPS- 1, 3/4" & 2, 1/2" NPT, c/w 1 304 SST DRIFICE PLATE/RETAINER, (54" O/A)
MVS-100	3	1	FISHER MVS205E MULTIVARIABLE TRANSMITTER, 0-3626 PSIG, STATIC PRESSURE, c/w PANAM 5-VALVE MANIFOLD, FM/CSA, ARICOM 3 WIRE RTD., -40 TO 450 C. RANGE, 2-1/2 THERMOWELL
LC-100/200	4	2	FISHER 2" NPT TYPE L2 LEVEL CONTROL, LCC LOW TEMP., SNAP ACTING, FAIL CLOSED, c/w 1-7/8" x 12" PVC DISPLACER,
LCV-100/200	5	2	FISHER 1" NPT TYPE D2, LCC LOW TEMP., NACE SPEC., RATED 900# ANSI, 0-35 PSI SIGNAL, ADJUSTABLE 1/4"/3/8"/1/2" TRIM.
FM-200	6	1	SIMARK 1" x 1" NPT. TURBINE METER 5-50 USGPM FLOW RANGE, MODEL# TM1-110, TITIAN LOGIX PRE-AMP MODEL SFT881A
FCV-100	7	1	PANAM 2" 1500# RF. FIG# 215-FCB2, MANUAL GLOBE VALVE, C.S.
PCV-100	8	1	FISHER 2" 600# RFF TYPE D4 PRESSURE CONTROL VALVE, 1" DRIFICE SIZE, STD. SERVICE, SIZE 40 PNEUMATIC ACTUATOR
ESDV-100	9	1	FAIL CLOSED, AIR TO OPEN, MAX. SHUT IN PRESSURE 1440 PSIG CVS C-160SR06 ACTUATOR c/w 2" 1500# RFF JAG BALL VALVE, A105 BODY, R&P ACTUATOR, FAIL CLOSED, SUPPLY 80 PSI.
PCV-100	10	1	BELGAS 1/4" NPT TYPE P50 MANUAL HAND REGULATOR, STD. 0-120 PSI SPRING RANGE, SET 30 PSI.
PZV-100	11	1	FISHER TYPE I2P TRANSDUCER, 4-20 MA INPUT SIGNAL, 35 PSIG, SUPPLY SIGNAL, 6-30 PSI. OUTPUT SIGNAL, EXPLOSION PROOF.
SV-100/200 300	12	3	ASCO 1/4" NPT RED HAT SOLENOID VALVE, P/N EF8314G301, 125 PSIG. MAX. PRESSURE 12 VOLT, STANDARD SERVICE
HV-100	13	1	CONANT 1/4" NPT MODEL 3836 1AL MANUAL SELECTOR VALVE, 3-WAY SELECTOR, 316 SST. CONSTRUCTION.
PT-100/01	14	2	FOXBORO IGP10A22E1C PRESSURE TRANSMITTER, LOCAL DISPLAY, 0-3000# RANGE, 1/2" FNPT CONNECTION, 4-20Ma
PT-102/03	15	2	FOXBORO PRESSURE TRANSMITTER, MOD.# IGP10A22F1C, 0-6000 PSI. RANGE, 1/2" FNPT CONNECTION, CALIBRATION 0-4000 PSI. 4-20Ma
P-300	16	1	CVS, MODEL#51-38MVH METHANOL INJECTION PUMP 3/8" PLUNGER, PNEUMATIC MICRO VALVE 7.9 GPD, TEFLON PACKING, 6000 PSI MWP.
P-301	17	1	TRIDO SOLAR PNEUMATIC CHEMICAL PUMP, 3/8" STAINLESS STEEL, PLUNGER, c/w TIMER, RELAYS, 3000# MAX DISCHARGE PRESSURE.
LG-100	18	1	PENBURTHY MODEL 1TM5 TRANSPARENT GAUGE GLASS, c/w 330J GAUGE COCKS, c/w 1/2" NPT DRAIN BALL VALVE.
LG-200	19	1	PENBURTHY MODEL 1RL5 REFLEX GAUGE GLASS, c/w 330J GAUGE COCKS, c/w 1/2" NPT DRAIN BALL VALVE.
PSV-100	20	1	TAYLOR 2" MNPT x 2" FNPT, MODEL T-8200-1 SST BODY, CS BONNET & CAP, .128" DRIFICE, SET @ 1440 PSIG.
PSV-110	21	1	TAYLOR 1" MNPT x 1" FNPT, MODEL T-8200-1 SST BODY, CS BONNET & CAP, .128" DRIFICE, SET @ 150 PSIG.
PSV-300/301	22	2	NUPRO 1/4" #SS-4R3A5-EP/177-R3A-K1-C, SET @ 3,000 PSIG.
PSV-302	23	1	NUPRO 1/4" #SS-4R3A5-EP/177-R3A-K1-C, SET @ 1,440 PSIG.
QR-100	24	1	REXROUTH QUICK EXHAUST VALVE, 1/4" NPT., DIAPHRAM OPERATED.
BH-190A 190B	25	2	CATADYNE BX24X24 24,000 BTU, 12 VDC, NATURAL GAS HEATER c/w STANDS, SSOV, REGULATORS, 35 FT CABLES, THERMOSTAT, GRILL, VENT HOOD & ELECTRICAL AS PER CEC REGULATIONS.
F-300	26	1	HEADLINE 1/2" NPT. MODEL #360A c/w P/N 25-64-70C ELEMENTS
UV-100	27	1	AMDT 1/4" NPT SWITCHING VALVE, MODEL #4057D025H2, 125 PSIG. ALL PORTS, STD. SERVICE.
F-150	28	1	LUBERFINER 1" NPT MOD. WGF12100, FILTER HEAD ASSEMBLY, MODEL WG40510SP METHANOL FILTER, SPIN ON CARTRIDGE.
V-110	29	1	RJV 8"X30" s/s FUEL GAS SCRUBBER 975 PSI DESIGN PRESSURE
FGSV-110	30	1	RJV 2"X1" FUEL GAS SHUT OFF VALVE c/w DEMISTER WRAP
LCV-110	31	1	COLTON 3/4"x 1/2" NPT., MODEL AVDT-150 AUTO-DRAIN TRAP, CAST IRON BODY, 150 PSIG. MAX. OPERATING PRESSURE, STD.
PRV-110	32	1	BELGAS 1" NPT TYPE P627 REG. CARBON STEEL CONST. 1/8" DRIFICE, 70-150 PSI SPRING RANGE, SET @ 100 PSIG.
PRV-200/201	33	2	BELGAS 1/4" NPT TYPE P50 REGULATOR, STD SERVICE, 0-120 PSI SPRING RANGE. SET 80 PSI.
PRV-100/101 300	34	3	BELGAS 1/4" NPT TYPE P50 REGULATOR, STD SERVICE, 0-60 PSI. RANGE
TI-100	35	1	TREND MOD 33, 3" DIAL, DS, -40/120°F, c/w 304 SST TDW, 4" STEM ON SEPARATOR.

1-2025-21

PI-100	36	1	WIKA #233.54 4" DIAL 1/2" NPT BOTTOM CONNECTION, LIQUID FILLED, DS, 0/1500# PSI C/W PANAM 1/2" NPT ISOLATION/BLEED VALVE, (SEPARATOR PIPING).
PI-110/120	37	2	WIKA #233.53 2 1/2" DIAL 1/4" NPT BOTTOM CONNECTION, LIQUID FILLED, DS, 0/200 PSI C/W PANAM 1/4" NPT, ISOLATION VALVES (FUEL GAS SCRUBBER/ON DOWNSTREAM OF FILTER).
PI-200/201	38	2	WIKA #233.53 2 1/2" DIAL 1/4" NPT BOTTOM CONNECTION, LIQUID FILLED, 0/200 PSI (PRV-200/201 IG REGULATOR).
PI-101/102 103/104/300	39	5	WIKA #233.53 2 1/2" DIAL 1/4" NPT BOTTOM CONNECTION, LIQUID FILLED, DS, 0/60 PSI.
LSHH-150	40	1	KIMRAY 2" NPT 2200 SERIES ELECTRIC LEVEL SWITCH, STANDARD SERVICE, C/W MANUAL TEST BUTTON, MANUALLY LATCHABLE FLOAT. 12 VOLT.
LT-150	41	1	YOKOGAWA LEVEL TRANSMITTER, MOD# EJAI10A-EHS5B-92EN/CFI -20 TO 2000 IN H2O 4-20mA C/W DIGITAL SIGNAL BASE.
TK-150	42	1	QAM 19,500 LITRE DOUBLE WALLED STORAGE TANK, COMPARTMENT C/W 2-6" 150 ANSI VENT STACKS, C/W 4,500 METH., COMPARTMENT RJV 5284 CVR METH. TANK METERING/LEVEL GAUGE 7 FT.
LG-150	43	1	RJV 5250 LEVEL GAUGE, (SECONDARY CONTAINMENT) 3" LENGTH.
LG-152	44	1	RJV 5284 CVR TANK METERING/LEVEL GAUGE 7 FT.
LG-151	45	1	ALBERTA STRAINER 1" NPT. FIG# YS600, 1.480 PSI. WP.
	46	1	FLOMORE 1/4" NPT 316 SST. BALL CHECK (METHANOL INJ. POINT).
	47	2	PLAINSMAN 1/2" NPT 3000# CB-50 BALL CHECK.
	48	3	DHV 1" FNPT 3,000# MODEL CSPRI0S08A8, SWING TYPE CHECK.
	49	2	PANAM 2" NPT 800# FIG.#F6/838 GLOBE VALVE, STD. TRIM
	50	1	PANAM 1" NPT 800# FIG.#F6/838 GLOBE VALVE, STD. TRIM
	51	2	MERIDIAN 2" NPT 2000# #H1-R20S20-S BALL VALVES.
	52	1	BALON 1/2" NPT 3000# SPRING LOADED BALL VALVES.
	53	1	MERIDIAN 1/2" NPT 2000# #H1-R05S20-S BALL VALVES.
	54	14	MERIDIAN 1" NPT 2000# #H1-R10S20-S BALL VALVES.
	55	12	PANAM 1/4" NPT 6000# CARBON STEEL NEEDLE VALVES.
	56	6	PANAM 1/2" NPT 6000# CARBON STEEL NEEDLE VALVES.
	57	6	WHEATLEY 2" 600# ANSI WAFER STYLE CHECK VALVE.
	58	1	LINWHA 3" CLIP GATE VALVE
	59	1	SWAGelok 1/2" NPT 3000# FULL PORT STD. BALL VALVES.
	60	2	EDMONTON VALVE & FITTING, MODEL# 266FT050 UBV.
			TUBING- 3/8" OD- .035 WT/.049 HIGH PRESSURE METHANOL LINES 1/2" OD .049 WT 316 SST.--ALL SENSING LINE/MVS LINES. TUBE FITTINGS- SWAGelok STAINLESS STEEL FR PRESSURE SENSING LINES & FG TAKE-OFFS SHALL BE 1/2" OD SKID- RJV 10'x23'6" C/W 8"@18 I-BEAM (RUNNERS, PERIPHERY), 6"@15 WF (TANK BEAMS) 6"@8.2 CHANNEL IRON (TOP FLOOR DECK) 3/16" CHECKERED PLATE (FLOORING), 3" POLYURETHANE UNDERSKID INSULATION AND 3 1/2" PULL BARS EACH END BUILDING- 10'x21'x126"-122" URETHANE INJECTED PANEL TYPE, SHED ROOF,30 GAUGE PREPAINTED STEEL EXTERIOR WHITE WALLS R12 INSULATION VALUE 30 GAUGE WHITE STEEL INTERIOR DOOR- 3'X7' URETHANE INJECTED PANEL TYPE, C/W PANIC LOCK WEATHER STRIPPING, IWG WINDOW, DOOR SWEEP, DOG DOOR. WINDOW- 1, 36"X36" DG SLIDER C/W SCREENS. VENTS- 1, 12"X12" INSULATED ALUMINUM LOUVERED C/W SCREENS. FLANGES: SA-105N 600/1500# ANSI: 2" SCH 80/160 WELD FITTINGS: SA-234-WPB: 2" SCH 80/160 SCREWED FITTINGS: SA-105N 3000# FS. SCREWED UNIONS: SA-105N 3000# FS. D-LETS: SA-105N 3000/6000# FS. PIPE AND NIPPLES: SA-106 GR B SEAMLESS, WELDED: 2", SCH 80/160, THREADED PIPE/NIPPLES/SWAGES: 150/600#-SCH 80/160, 1500/XXH BOLTING: ASTM A193 GR B7 STUDS/ASTM A194 GR 2H NUTS. GASKETS: 316 SST FLEXATALLIC GRAPHITE. ALL PIPING DESIGNED TO B31-3 CODE WELDED PIPING SHALL BE SUBJECTED TO 10% RADIOGRAPHY. WELDED PIPING SHALL BE HYDROTESTED TO 5575/2160 PSI. ALL VENTING CONTROLS AND INSTRUMENTS SHALL BE VENTED TO SKID EDGE AND ALL CONTROLS OPERATIONALLY AIR TESTED. ALL METAL SURFACES SHALL BE MECHANICALLY CLEANED TO SSPC-SP-2, 1 COAT OF ZINC CHROMATE PRIMER AND 1 FINISH COAT OF ENAMEL PAINT SHALL BE APPLIED AS FOLLOWS- CHECKERED PLATE FLOORING: WARM GREY STEEL SKIDS, EQUIPMENT, PIPING & TANKS: WARM GREY ANTENNA WINCH TOWER GROUNDING TO BE DONE UNDER SKID, QUICK CONNECT GROUND, CABLE FOR WATER/METHANOL TANK.