

DESIGN DATA

DESIGN & FABRICATE TO ASME SECTION VIII, DIV. I, 2001 EDITION

DESIGN PRESSURE: 10,204 KPA (1480 PSI)

HYDROTEST: 15,307 KPA (2220 PSI) LONG'L JOINT EFF: 100%

RADIOGRAPHY-CIRC. SEAMS-SPOT UW11(a)5(b) CORR. ALLOWANCE: .063" (1.6mm)

RADIOGRAPHY-LONG SEAMS- SMLS LIMITED BY: SHELL

P.W.H.T: OPTIONAL-60 MINUTES@1150°F (621°C) FLANGES: SA-105

M.A.W.P: 10,204 KPA (1480 PSI) NOZZLES: SA-106-B

HEADS: SA-516-70 MIN: 20.63mm NOM: 22.23mm STUDS: 193-B7

SHELL: SA-106-B NOM: 21.4mm NUTS: 194-2H

MIN. DESIGN METAL TEMP: -29C (-20F) MISC. PLATE: SA-36

EXEMPT FROM IMPACT TEST REQUIREMENTS AS PER UG 20(f)

DESIGN TEMP: 38C (100F)

WELD FITTINGS: SA-234-WPB/SA-105

COUPLINGS(T.O.L): SA-105

INTERNALS: SA-36

PRE-HEAT: 10C (50F)

SHIPPING WT: 685KG (1507lbs)

CAPACITY: .262 CUBIC METER (9.268CU FT)

PAINT:

CRN:



GAS FIELD SERVICES LTD.

4901- 47 ST VEGREVILLE, ALTA

T9C-1C3

PHONE (780) 632-7774

FAX (780) 632 6820

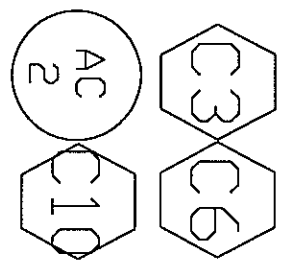
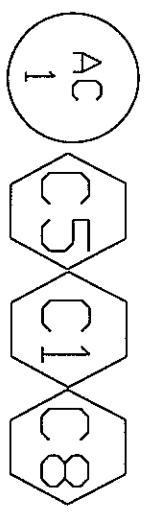
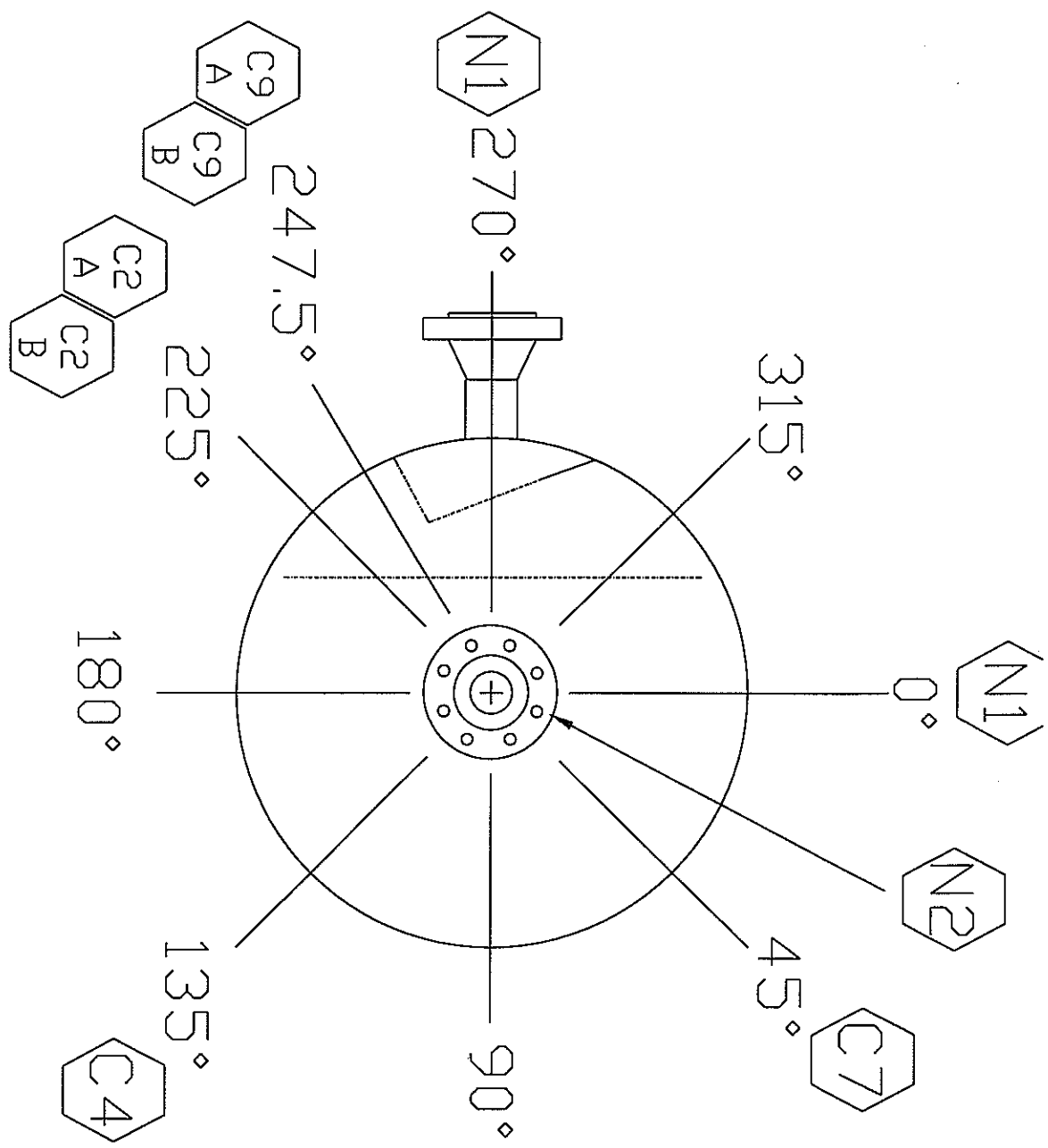
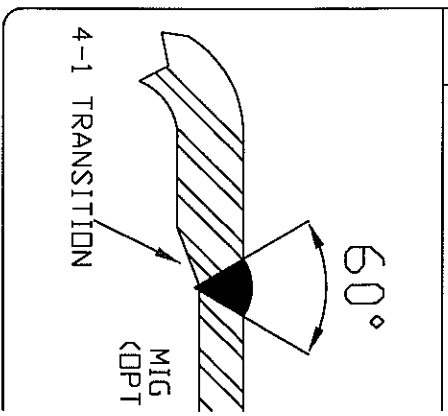
TITLE: 406 OD X 2285 sm/sm 10,204 KPA
3 PHASE VERTICAL SEPARATOR

DWG. # V01-381

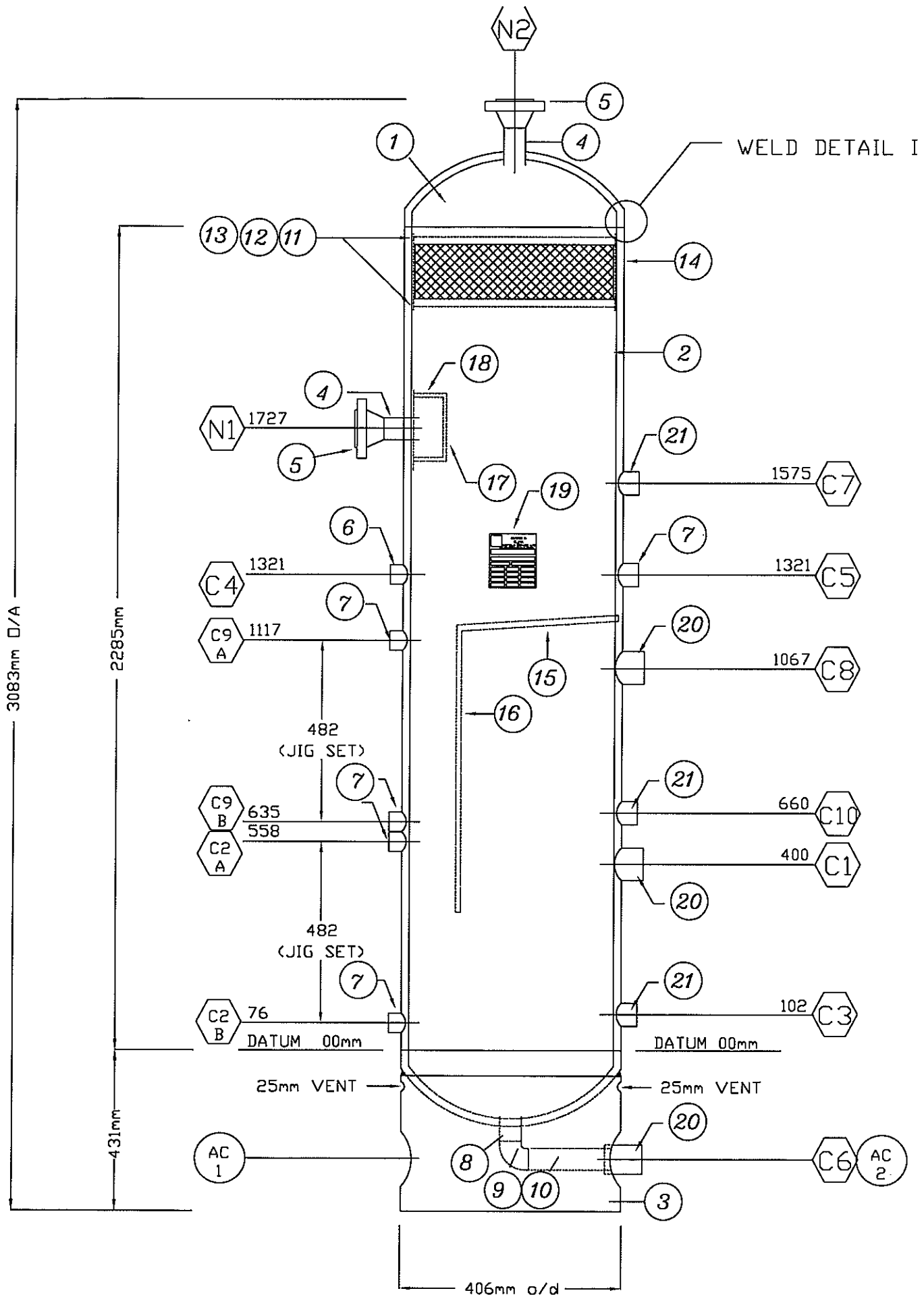
REV. #

SHEET OF

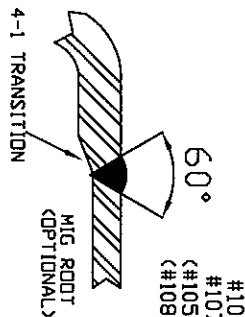
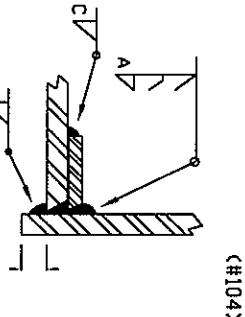
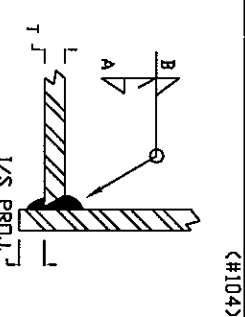
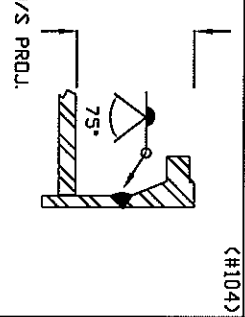
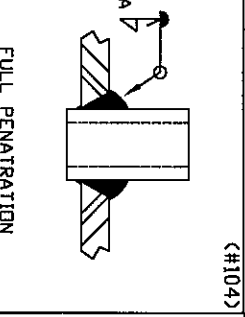
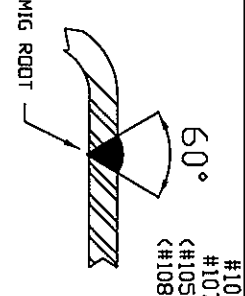
V I WELD PROCEDURE



ORIENTATION

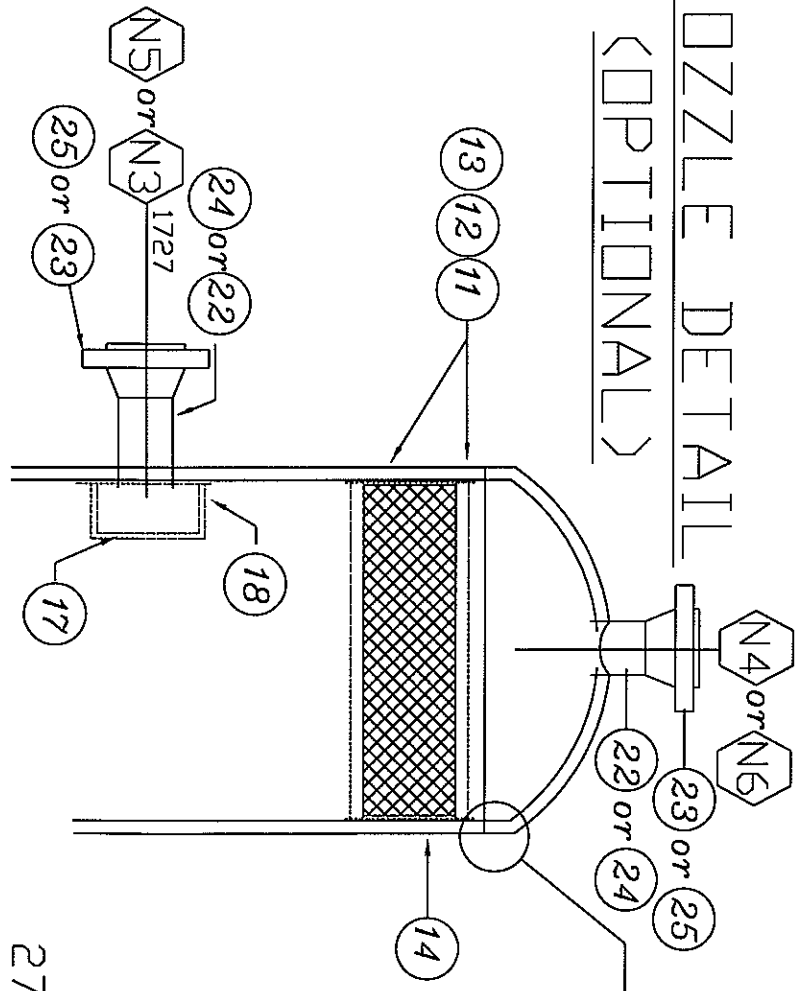


ELEVATION

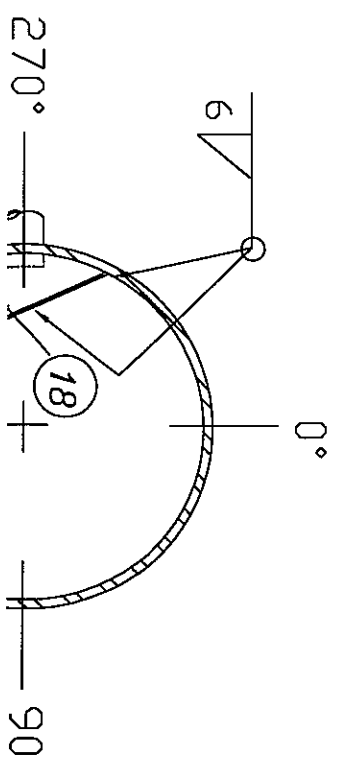
VI WELD PROCEDURE #100 #101 (#107) (#105) (#108)  <p>60° MIG ROOT (OPTIONAL) 4-1 TRANSITION</p>	V WELD PROCEDURE #100 (#104)  <p>A B C 1/8 PROJ.</p>	IV WELD PROCEDURE #100 (#104)  <p>A B T 1/8 PROJ. INTERNAL BACK WELD</p>	III WELD PROCEDURE #100 (#104)  <p>A B 75° D/S PROJ.</p>	II WELD PROCEDURE #100 (#104)  <p>A B FULL PENETRATION FROM ONE SIDE</p>	I WELD PROCEDURE #100 #101 (#107) (#105) (#108)  <p>60° MIG ROOT</p>
---	--	---	--	--	---

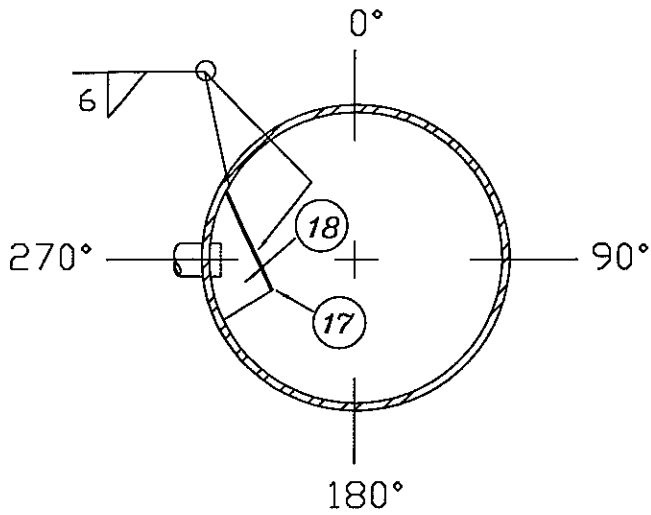
3C6
C10

NOZZLE DETAIL
(OPTIONAL)

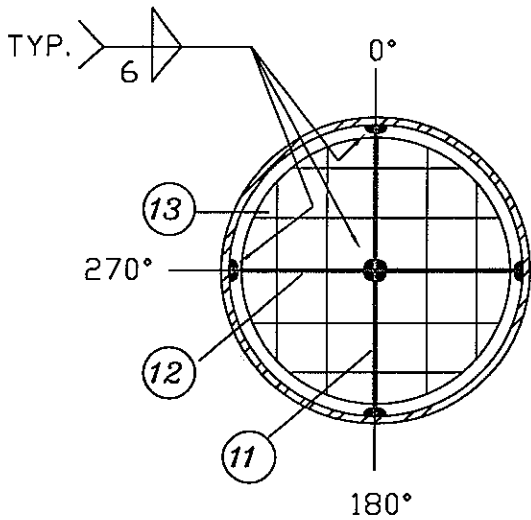


WELD DETAIL I

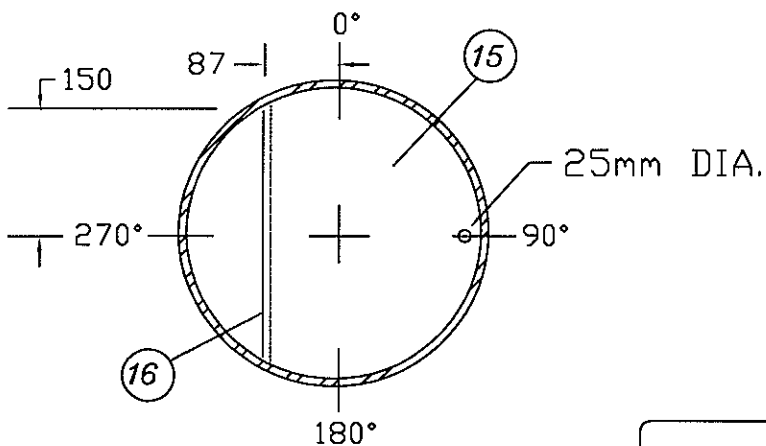




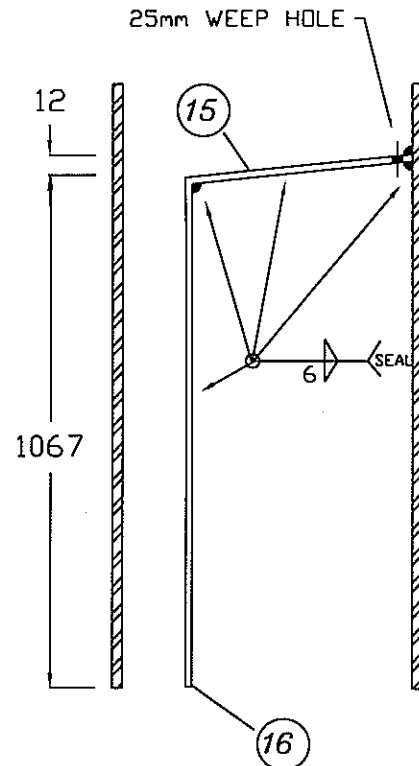
DETAIL-INLET DEFLECTOR



DETAIL-MISTEX SUPPORT



DETAIL-FLOAT BAFFLE



ELEVATION
FLOAT BAFFLE

BOILER BRANCH APPROVAL STAMP

WARNING!

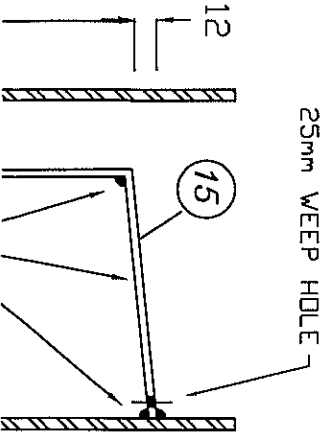
THIS DRAWING AND THE DESIGN IT COVERS ARE CONFIDENTIAL AND SHALL NOT BE DISCLOSED TO OTHERS OR REPRODUCED IN ANY MANNER OR USED FOR ANY PURPOSE WHATSOEVER EXCEPT BY WRITTEN CONSENT OF RJV GASFIELD SERVICE LTD.

NOZZLE SCHEDULE

MARK	SIZE	RATING	TYPE	SERVICE	NOZZLE BORE	ITEM	ITEM	PROJN I/S	D/S	WELD DETAIL	WELD SIZE		REMARKS
											A	B	
N1	60.3mm	600#	RFWN	INLET	SCH160	4,5		16mm	135mm	III, IV	10mm	6mm	
N2	60.3mm	600#	RFWN	OUTLET	SCH160	4,5		16mm	150mm	III, IV	10mm	6mm	
N3	88.9mm	600#	RFWN	INLET(OPTIONAL)	SCHXXS	22,23		13mm	200mm	III, IV	10mm	6mm	
N4	88.9mm	600#	RFWN	OUTLET(OPTIONAL)	SCHXXS	22,23		6mm	200mm	III, IV	10mm	6mm	
N5	114.3mm	600#	RFWN	INLET(OPTIONAL)	SCHXXS	24,25		25mm	200mm	III, IV	10mm	6mm	
N6	114.3mm	600#	RFWN	OUTLET(OPTIONAL)	SCHXXS	24,25		6mm	200mm	III, IV	10mm	6mm	
C1	60.3mm	6000#	CPLG	L.L.G. (WATER)INSPECTION		20		6mm	50mm	IV	10mm	6mm	
C2A,B	26.7mm	6000#	CPLG	L.L.G. (WATER)		7		6mm	25mm	IV	10mm	6mm	
C3	33.4mm	6000#	CPLG	LIQUID OUT(WATER)		21		6mm	25mm	IV	10mm	6mm	
C4	21.4mm	6000#	CPLG	P.PRESSURE INDICATOR		6		6mm	22mm	IV	10mm	6mm	
C5	26.7mm	6000#	CPLG	TEMP. INDICATOR		7		6mm	25mm	IV	10mm	6mm	
C6	60.3mm	6000#	CPLG	DRAIN	SCH160	8,9,10,20		6mm	50mm	IV	10mm	6mm	
C7	33.4mm	6000#	CPLG	P.S.V.		21		6mm	25mm	IV	10mm	6mm	
C8	60.3mm	6000#	CPLG	L.L.C. (OIL)INSPECTION		20		6mm	50mm	IV	10mm	6mm	
C9A,B	26.7mm	6000#	CPLG	L.L.G. (OIL)		7		6mm	25mm	IV	10mm	6mm	
C10	33.4mm	6000#	CPLG	LIQUID OUT (OIL)		21		6mm	25mm	IV	10mm	6mm	

BILL OF MATERIALS

ITEM	QTY.	DESCRIPTION	MAT'L
1	2	406mm o/d X 22.23 NOM. SMLS HEAD 21 S.E. 2063 MIN	SA-516-70
2	1	406mm o/d X 2285mm SMLS PIPE B.B.E. 21.4 NOM.	SA-106-B
3	1	406mm o/d X 356mm LG. 9.5mm WALL ERW BASE	SA-53-B
4	2	60.3mm X 102mm LG. B.D.E. SMLS PIPE SCH 160	SA-106-B
5	2	60.3mm 600 ANSI RFWN FLANGE SCH 160 BORE	SA-105
6	1	21.3mm, 6000# FULL COUPLING	SA-105
7	5	26.7mm, 6000# FULL COUPLING	SA-105
8	1	60.3mm X 76mm LG. B.D.E. SMLS PIPE SCH 160	SA-106-B
9	1	60.3mm 90 BUTT WELD ELBOW SCH 160	SA-234-WPB
10	1	60.3mm X 102mm LG. B.D.E. SMLS PIPE SCH 160	SA-106-B
11	2	360mm LG. X 6mm THK X 25.4mm W. MESH SUPPRT	SA-36
12	4	172mm LG. X 6mm THK X 25.4mm W. MESH SUPPRT	SA-36
13	2	360mm o/d X 25.4mm W. MESH PAD SUPPRT GRIDS	SA-36
14	1	360mm o/d X 152mm THK MISTEX PAD	304SS
		KNITTED WIRE MESH @9lbs/CU. FT. DENSITY	
15	1	360mm o/d X 270mm LG. X 6mm THK FLOAT BAFFLE	SA-36
16	1	318mm o/d X 1067mm LG. X 6mm THK FLOAT BAFFLE	SA-36
17	1	178mm LG X 178mm W X 6mm THK INLET DEFLECTOR	SA-36
18	2	178mm LG. X 130mm W X 6mm THK INLET DEFLECTOR	SA-36
19	1	NAME PLATE & 165mm LG. X 152mm WIDE CHANNEL	SA-36
20	3	60.3mm, 6000# FULL COUPLING	SA-105
21	3	33.4mm, 6000# FULL COUPLING	SA-105
22	2	88.9mm X 152mm LG. B.D.E. SMLS PIPE SCH XXS	SA-106-B
23	2	88.9mm 600 ANSI RFWN FLANGE SCH XXS BORE	SA-105
24	2	114.3mm X 152mm LG. B.D.E. SMLS PIPE SCH XXS	SA-106-B
25	2	114.3mm 600 ANSI RFWN FLANGE SCH XXS BORE	SA-105





TO: RJV GASFIELD SERVICE LTD
4901 47TH ST (BRUCE RD) BOX 295
VEGREVILLE AB
T9C 1C3

Registered: 2002/09/16
Journal #: 29589
Account #: 24578

Attn: WES MARKOWSKY

Re: RJV GASFIELD SERVICE LTD

DESIGN REGISTRATION

C.R.N.

P7217.21

Drawings / Documents	Description			
3 PHASE SEPARATOR V01-381 REV 0 REGISTERED	MDMT ----- -20 F	MAWT ----- 100 F	MAWP ----- 1480 psi	EXT PRESS -----
Code: ASME Sec VIII Div 1, 01 Ed.				

Remarks: This design has been registered as noted above. An invoice for survey will follow in the amount of \$ 60.00

dc

Yours truly,

R. TUAZON
Design Surveyor