

2" SCH. 160

1 PCS.-11" LONG

1 PCS.-5" LONG TOE/RDE TO SCH 80

2" SCH. 80

1 PCS.-20" LONG

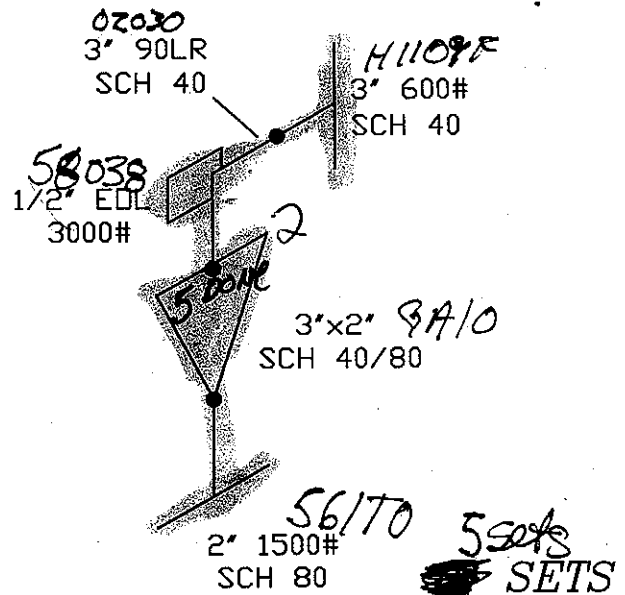
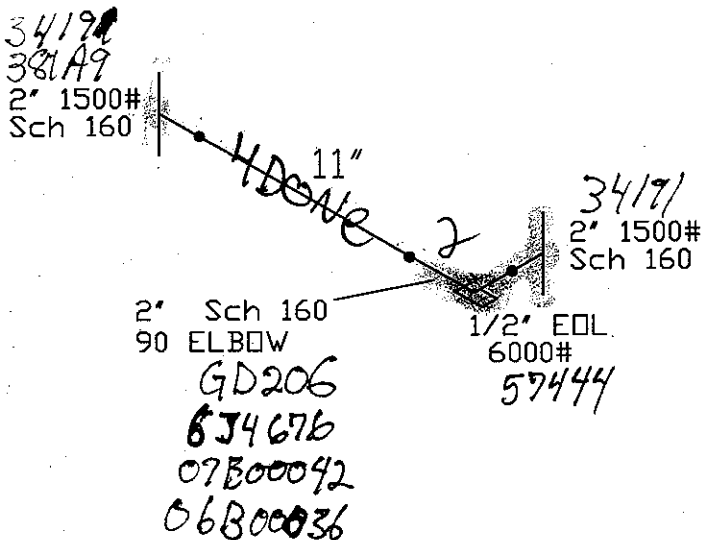
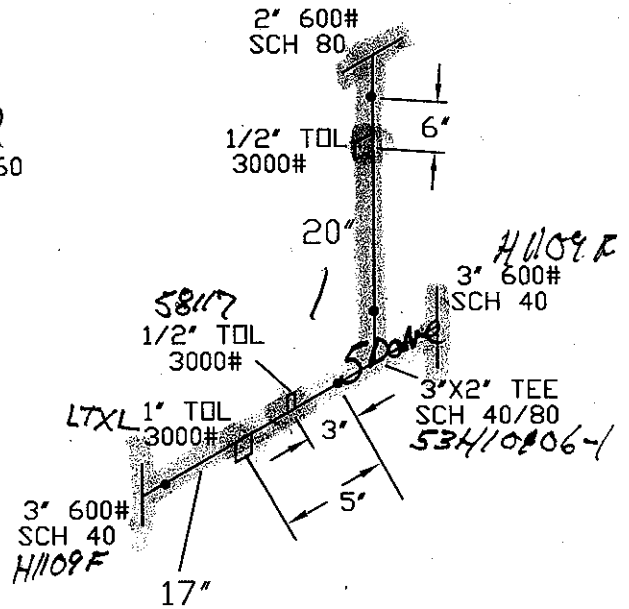
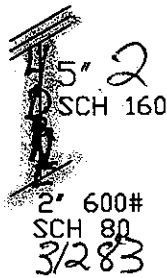
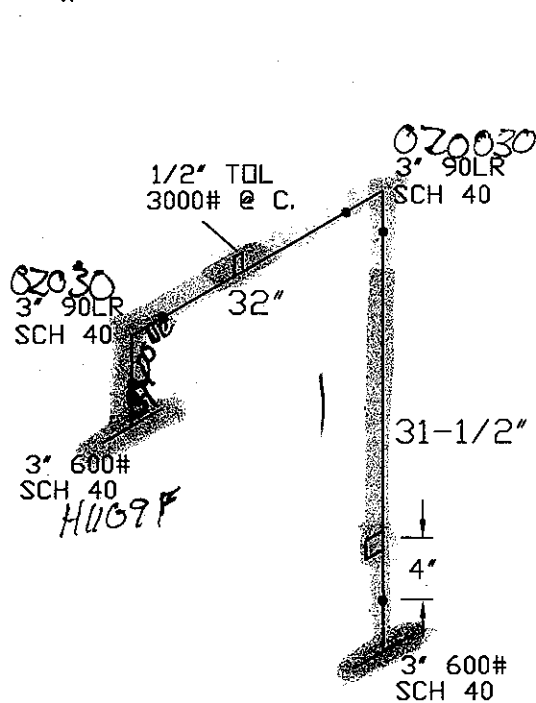
3" SCH. 40

1 PCS.-32" LONG

1 PCS.-17" LONG

1 PCS.-31-1/2" LONG

HUSKY
JOB# 11-4830-1



5 sets SETS