

Controls Ltd.

CVS Series 51 Chemical Injection Pump

Applications

1. The introduction of De-Emulsifiers, corrosion Inhibitors De-scaling Agents, Solvents and Oxygen Scavengers.
2. Water Treatment
3. Methanol Injection in Gas Pipelines.
4. Injection of Surfactant (Soap) into Low Pressure Gas Wells with high water content

Description

The CVS gas driven Series 51 Chemical Injection Pump uses a molded diaphragm to drive a piston through chevron packing making it a positive displacement pump, capable of discharge pressures up to 6000 psig., and maximum volume output up to 30 gallons per day. Unit weight is 22.5 Lbs, shipping weight is 25.5 Lbs

Traegyr Switch: The Traegyr Switch is a miniature valve offering reliability with rugged construction. The unit consists of a 3-way, two position valve which is positively switched with pilot signal valves. The valve offers positive response, extremely low cycle times lower than one stroke per minute, and the pump half stroke feature is easily used. This valve will not stick in mid-position causing the pump to stall and cannot be vibrated or jarred out of position. (Figure 1)

Micro Valve: The Micro Valve unit is a miniature valve offering reliability and rugged construction. With an over center, snap action-action operator, the unit consists of a 3-way, 2-position valve. The unit offers sure response, no neutral position, and no varying time lag between positions. Unit maintains either position without holding force, and cannot be vibrated or jarred out of position. (Figure 2)

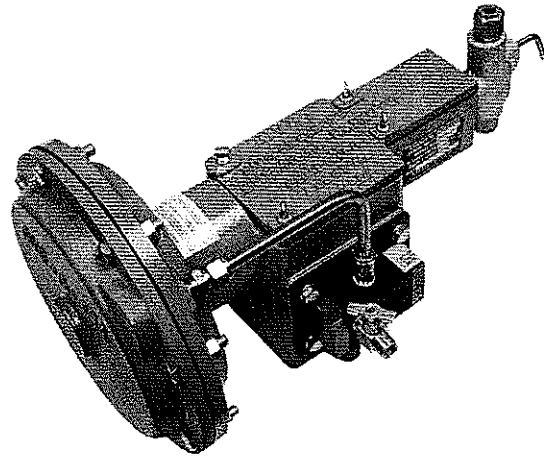


Figure 1: CVS Series 51 Chemical Injection Pump with Traegyr Switch

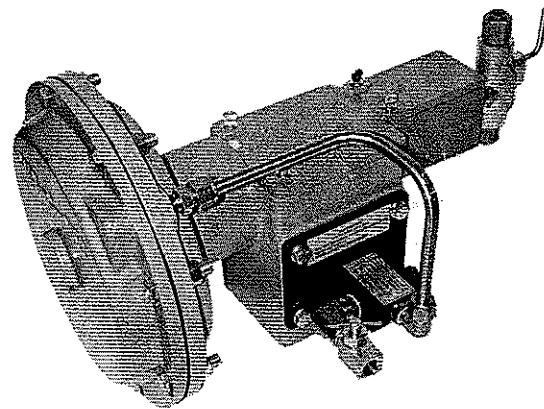


Figure 2: CVS Series 51 Chemical Injection Pump with Micro Valve

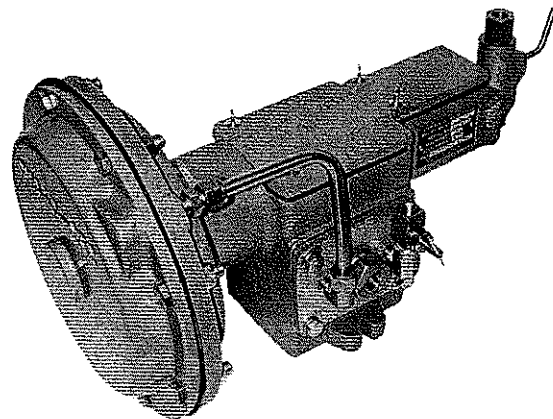


Figure 3: CVS Series 51 Chemical Injection Pump with Pilot Valve

Description, cont'd

Rotary Switch Pilot Valve: A rotary switch pilot valve (CVS-B-0446) directs the incoming operating gas (35 psi Max) behind the diaphragm (CVS-C-0290) which will cause the pump to stroke forward. The valve in turn shuts off the inlet pressure and opens to expel the spent gas behind the diaphragm and the cycle repeats. (Figure 3)

A choice of three plunger sizes, two stroke lengths and controllable strokes per minute (SPM) with an optional slow speed controller allows for a wide range in capacity, from less than 1 quart to 30 gallons/day.

The oil impregnated bronze bushing (not in contact with the gas supply) extends the thrust rod life as well as protects the pump housing. This combined with the enclosed, prelubed flipper arm bearing ensures continued operation in the event that oil is not added to the reservoir.

The standard fluid end is ductile iron with stainless steel trim and plunger; all stainless steel is an available option.

Installation and Operation

The following components should be shipped loose:

- 1/4" Line Check Valve (One)
Stainless Steel: CVS-A-0675 or
Brass: CVS-A-0676
 - Packing Gland Wrench (One)
CVS-A-035
 - Priming Valve (One)
CVS-A-1497
1. Blow out and remove debris from supply line before hooking up supply air/gas to inlet. Supply pressure should be regulated with a maximum setting of 35 PSI.

Note

The supply inlet is a 1/4" female connection (Disc Retainer, CVS-A-0906), located at the center of the Pilot Valve (CVS-B-0441). Do not hookup supply air/gas to the small valve; this is the gas exhaust.

2. Install the furnished Line Check (CVS-A-0675/0676) before the injection point (Note: the direction of the flow arrow). Connect the discharge line to the 1/4" FNPT in both the line check and the Top Bushing (CVS-A-1496) of the head assembly. Ensure the line is clear of all foreign debris.
3. Install the Priming Valve (CVS-A-1497) into the small threaded hole on the injection head, leaving partially open.
4. *Remove the Wing Screws (CVS-A-0136), Top Cover (CVS-B-0548) and Cover Gasket (CVS-A-1546). Fill the reservoir that houses the Flipper Spring (CVS-A-1821) with approximately one and one-half-pints of non-detergent lightweight oil (SAE 5), fill to bottom of Thrust Rod (CVS-B-0444).
5. Open the main air/gas supply valve and slowly open the small gas Exhaust Valve (CVS-A-2489). The pump should automatically start. Ensure the suction line is primed with fluid and then test the pump head by opening the Priming Valve. The fluid escaping from the Priming Valve may contain bubbles, as soon as bubbles subside close the Priming Valve for normal operation. Adjust pump for the desired Strokes/Min. and pumping rate. Be sure to keep hands away from moving parts.
6. Check the Packing Gland for leakage. If leakage is occurring, use the gland wrench supplied to tighten the gland nut until leak just stops. Do not over tighten the Gland Nut. This may stall the pump or generate excessive wear on the packing and/or plunger.
7. Replace Cover Gasket and Top Cover, secure with Wing Screws.

*Note: Step No. 4 pertains to Pilot Valve.

Maintenance and Troubleshooting

- A. Keep the cover in place, and periodically oil the thrust rod.
- B. Regularly check for packing leaks, tighten or replace as required.

Note:

Ensure the plunger packing is not over tightened, as this may score the plunger and decrease the lifespan of the packing.

- C. CVS chemical pumps used for alcohol or methanol injection must be fitted with Buna-N O-rings. Pumps used for most chemical injection applications should be fitted with Viton O-rings. The O-rings are located in the Top Seat (CVS-B-0737) and Bottom Seat (CVS-B-0736). Refer to manufacturer specifications for elastomer sealing fluid compatibilities.
- D. If the pump fails to stroke and air/gas constantly flows from the Air Vent (CVS-A-1836), the diaphragm has ruptured. Disconnect air supply and bleed off pressure. Remove the Diaphragm Cover (CVS-C-0252) and inspect Diaphragm (CVS-C-0290) for rips and tears, replace as required.

Note:

If installing a new diaphragm, shutoff and disconnect air supply and ensure the pressure has been bled off. Remove Lock Nut (CVS-A-3320) and Washer (CVS-A-3321) from the Thrust Rod (CVS-B-0444). To prevent the thrust rod from turning, remove the Top Cover (CVS-B-0548) and insert a punch or drift pin into the large hole forward of the Trip Stirrup Assembly (CVS-B-0471). At this point, visually inspect the Return Spring (CVS-A-1821) for damage.

- E. If no air/gas venting, check the supply pressure (35 PSI Max). Erratic changes in pressure may cause the pump to stall.

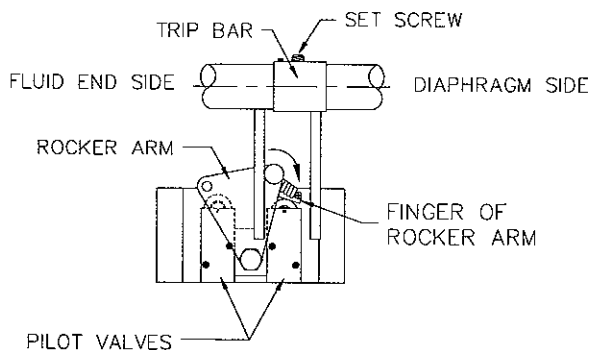
- F. If pump stalls in the forward discharge position, shut off the air/gas supply. First, check if the Flipper Arm Spring (CVS-A-1820) is intact, and then check if the packing gland nut is over tightened. Readjust packing as required.
- G. If the pump is running, but not pumping, the injection head could be air locked. Open the priming valve and bleed fluid until no bubbles are present. If still not pumping, the O-ring in the bottom seat may have failed and needs replacing.
- H. If the Flipper Spring (CVS-A-1820) needs replacement, drain oil into a clean container for later reuse. Shutoff air/gas supply ensuring all pressure is bled off. Remove the Hex Head Machine Screws (CVS-A-0141) and Lock Washers (CVS-A-0425) securing the pilot valve to pump body. Remove the Pilot Valve (CVS-B-0446) and slide the Spring Adapter (CVS-A-1838) off flipper arm and Bearing Assembly (CVS-B-0440). Loosen Hex Head Screw (CVS-A-1829), rotate Stirrup Assembly (CVS-A-1832), and unscrew the flipper spring from Top Spring Adapter (CVS-A-1838). Replace the flipper spring, slide the pilot valve assembly partially in and reassemble the bottom spring adapter. Secure the pilot valve to pump housing, retighten Hex Head Screw (CVS-A-1829) ensuring it is in the groove on the Thrust Rod (CVS-B-0444). Replace oil and restart pump (See steps 6 & 7 under Installation and Operation).
- I. If micro valve needs replacement, shutoff air/gas supply ensuring all pressure is bled off. Disconnect supply and output tubing. Remove the Hex Head Machine Screws (CVS-A-0141) and Lock Washers (CVS-A-0425) that secure the micro valve plate to pump body. Remove the Micro Valve Switch (CVS-MV-004) with plate (CVS-MV-014) and separate. Mount a new micro valve switch to micro valve plate and secure assembly to body. Ensure the micro valve extension is centered between both trip arms on trip bar assembly.

Maintenance and Troubleshooting cont'd

- J. If Traegy Switch requires replacement, shut off air/gas supply. Make sure all air/gas has been bled off. Disconnect supply and output tubing. Remove the hex head machine screws (CVS-A-0141) and lock washers (CVS-A-0425) that secure the Traegy valve plate to the pump body. Remove the machines screws that attach the Traegy plate to the Traegy Switch.

Mount a new Traegy switch to the plate and secure assembly to body. Ensure the trip arm is located at the home position (located closest to diaphragm side) see diagram below. Orient the trip bar so the rocker arm is rotated toward the diaphragm side ensuring the bearing of the pilot valve is depressed. Tighten the setscrew on trip bar assembly to lock rocker arm in place. Open the exhaust valve slowly, this will send a signal to the pilot valve and set the trip bar and rocker arm in motion toward the adjacent pilot valve bearing (this puts the switch in a balanced state).

If system pressure is temporarily lost, the trip arm will return to home position BUT because the switch is balanced, when system pressure is restored the trip assembly will be set in motion.



ENSURE ROCKER ARM IS ROTATED TO THE DIAPHRAGM SIDE.
-SLIDE TRIP BAR INTO PLACE
-FINGER OF ROCKER ARM MUST DEPRESS BEARING
-TIGHTEN SET SCREW

HOME POSITION
TRAEGYR VALVE
SET UP

Figure 4: Traegy Switching Relay Home Position

Start Up

1. a) If Traegy Valve operated, lightly grease thrust rod.
b) If Micro Valve operated, lightly grease thrust rod.
c) If Pilot Valve operated check oil level and lightly grease thrust rod.
2. Ensure all piping and tubing have been properly connected.
3. Determine the number of strokes/min. required to achieve desired injection flowrate (See Technical Data).
4. Open air/gas supply to start unit and adjust to desired strokes/min.
5. Crack open the Priming Valve to ensure pump action and that unit is not airlocked.
 - a). If Traegy Switch does not respond after checking for arilock, you may have to press the pilot bearing located at the home position to initiate the valve (see step J).
6. Inspect packing and connections for leakage.
7. Once unit is left in continuous operation periodically lubricate and check packing and connections for leakage.

CVS Series 51 Chemical Injection Pump with Traegyr Valve

Parts List

Item	Part Number	Qty	Name	Material	Item	Part Number	Qty	Name	Material	
1	CVS-C-0252	1	Diaphragm Cover	Aluminum	21	CVS-TV-001-2	1	Trip Arm	Steel/Cad.	
2	CVS-D-0251	1	Housing	Aluminum	22	CVS-TV-001-2	1	Trip Carrier	Steel/Cad.	
*3	CVS-C-0290	1	Diaphragm	Buna-N	23	CVS-TV-001	1	Traegyr Trip Assembly.	Steel/Cad.	
	CVS-C-0290/HS	1	Diaphragm	Highly Saturated		24	CVS-C-0275	1	1/4" Injector Head	Cast Stl Pl
	CVS-C-0290/CN	1	Diaphragm	Cotton Nitrile			CVS-C-0276	1	3/8" Injector Head	Cast Stl Pl
4	CVS-A-3321	1	Washer	Hvy Stl Cad Pl		CVS-C-0272	1	1/2" Injector Head	Cast Stl Pl	
*5	CVS-A-3320	1	Locknut	Stl. Cad. Pl.	**25	CVSA-0315	1	Gland Wrench	Steel	
*6	CVS-A-1821	1	Return Spring	CS Cad. Pl.	*26	CVS-MV-005	1	Hex Hd. Cap Sc. w/ Lock Washer	Steel	
	CVS-A-1821SS			SST						
7	CVS-A-0136	4	Wing Screws	Stl. Cad. Pl.	*27	CVSA-1828	1	Adjusting Pin	Steel	
8	CVS-B-0438	1	Diaphragm Plate	Steel	28	CVSA-1546	1	Cover Gasket	Buna-N	
9	CVS-B-0548	1	Cover	Aluminum	29	CVS-B-0001	1	Bushing	Bronze	
10	CVS-B-0444	1	Thrust Rod	Steel	*30	CVS-TV-051010	1	Pneumatic Switching relay	—	
11	CVS-TV-014	1	Traegyr Switch Plate	Steel	31 ^A	3/8" Tubing	1	3/8" Tubing	SST	
12	CVS-MV-012	1	Set Screw	Steel	32 ^A	CVSA-4015	1	Male Connector	C.S. or SST	
13	CVS-B-0447	1	Rod Adapter	Steel/Cad Pl.	33 ^A	CVSA-2489	1	Exhaust Valve	Pl/ Brass	
*14	CVSA-0290	1	Pin	Steel	34	CVSA-0225	1	Injector head Locknut	Brass	
15	CVS-A-0139	8	Hex Hd. CapScrew	Steel/Cad Pl.	35 ^A	CVS-TV-KIT	1	Traegyr Valve Kit	Std./Dry Sour	
16	CVS-A-2207	8	Hex Nut	Steel/Cad Pl.						
17	CVS-A-0141	4	Base Screw	C.S. Cad. Pl.						
18	CVS-A-0425	4	Lock washer	Cad. Pl.						
19	CVS-MV-013	1	Set Screw	Steel						
20	CVS-A-1835	1	Air Vent	Brass						
	CVS-A-1835SS			SST						

* Recommended spare parts.
** Parts not mounted, packaged with unit.
A Not Shown

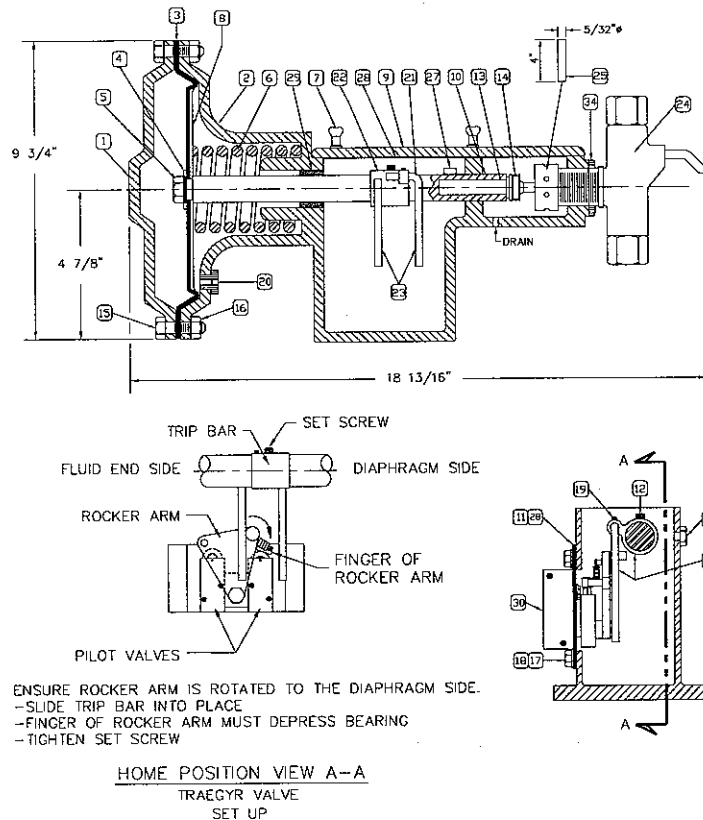


Figure 5: CVS Series 51 Chemical Injection Pump with Traegyr Valve

CVS Series 51 Chemical Injection Pump with Traegy Valve

Item	Part Number	Qty	Name	Material
30	CVS-TV-051010	1	Pneumatic Switching Relay	-----
31	3/8" Tubing	1	3/8" Tubing	SST
32	CVS-A 4015	2	Male Connector	SST
33	CVS-A-2489	1	Exhaust Valve	Pl. Brass
34	CVS-A-0225	1	Injector Head locknut	Brass

NOTE: 1/4" FNPT GAS EXHAUST
 The backpressure on this
 exhaust port must be
 zero psig.

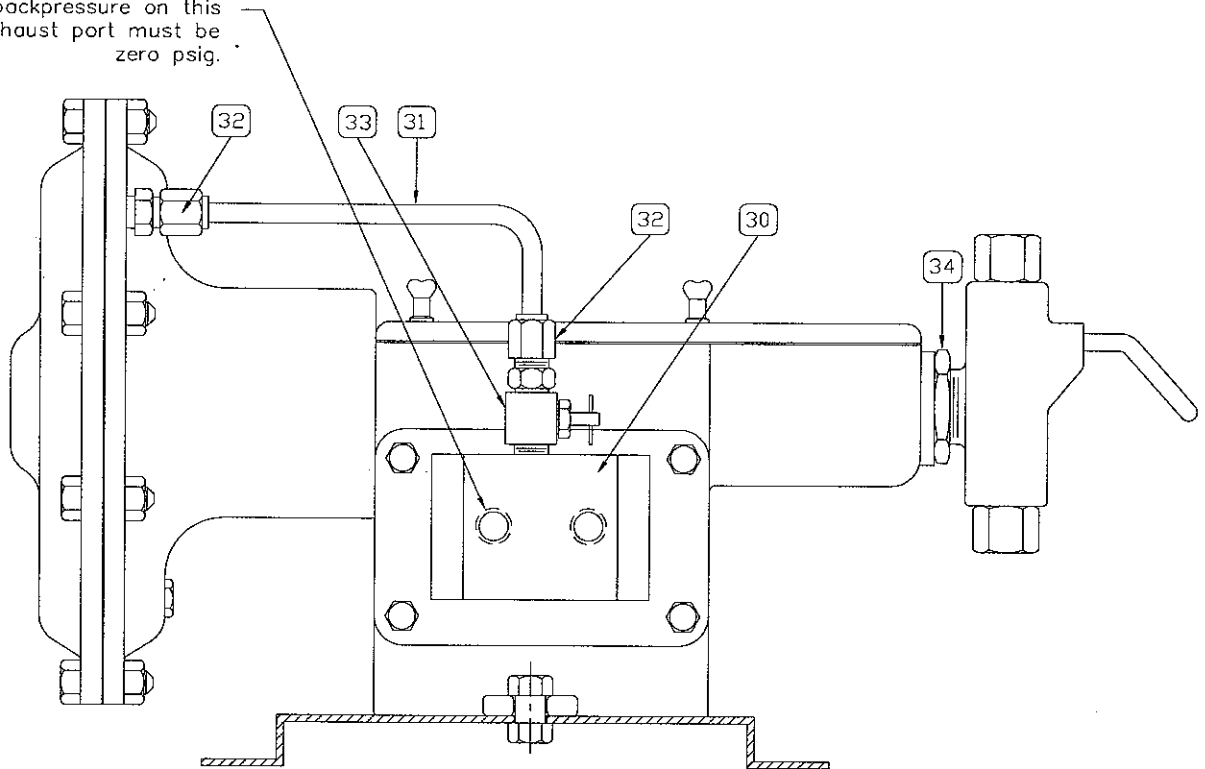


Figure 6: CVS Series 51 Chemical Injection Pump with Traegy Switch

CVS Series 51 Chemical Injection Pump with Micro Valve

Parts List

Item	Part Number	Qty	Name	Material	Item	Part Number	Qty	Name	Material	
1	CVS-C-0252	1	Diaphragm Cover	Aluminum	21	CVS-MV-001	1	Trip Arm	Steel/Cad.	
2	CVS-D-0251	1	Housing	Aluminum	22	CVS-MV-002	1	Trip Bar	Steel/Cad.	
*3	CVS-C-0290	1	Diaphragm	Buna-N	23	CVS-MV-003	1	Trip Assembly	Steel/Cad.	
	CVS-C-0290/HS	1	Diaphragm	Highly Saturated		24	CVS-C-0275	1	1/4" Injector Head	Cast Stl PI
	CVS-C-0290/CN	1	Diaphragm	Cotton Nitrite			CVS-C-0276	1	3/8" Injector Head	Cast Stl PI
4	CVS-A-3321	1	Washer	Hvy Stl Cad Pl		CVS-C-0272	1	1/2" Injector Head	Cast Stl PI	
*5	CVS-A-3320	1	Locknut	Stl. Cad. Pl.	**25	CVS-A-0315	1	Gland Wrench	Steel	
*6	CVS-A-1821	1	Return Spring	CS Cad. Pl.	26	CVS-MV-005	1	Hex Hd. Cap Sc. w/ Lock Washer	Steel	
	CVS-A-1821SS			SST						
7	CVS-A-0136	4	Wing Screws	Stl. Cad. Pl.	*27	CVS-A-0058	1	Gasket, Pilot Valve	Fibre	
8	CVS-B-0438	1	Diaphragm Plate	Steel	*28	CVS-A-1828	1	Adjusting Pin	Steel	
9	CVS-B-0548	1	Cover	Aluminum	29	CVS-A-1546	1	Cover Gasket	Buna-N	
10	CVS-B-0444	1	Thrust Rod	Steel	30	CVS-B-0001	1	Bushing	Bronze	
11	CVS-MV-014	1	Micro Valve Plate	Steel	*31	CVS-MV-004	1	Micro Switch	—	
12	CVS-MV-012	1	Set Screw	Steel	32	CVS-A-1193	1	3/8" Tubing	SST	
13	CVS-B-0447	1	Rod Adapter	Steel/Cad Pl.	33	CVS-A-4015	2	Male Connector	C.S. or SST	
*14	CVS-A-0290	1	Pin	Steel	34	CVS-A-2489	1	Exhaust Valve	PI / Brass	
15	CVS-A-0139	8	Hex Hd. CapScrew	Steel/Cad Pl.	35	CVS-A-0075	1	Street Elbow	PI / Brass	
16	CVS-A-2207	8	Hex Nut	Steel/Cad Pl.	36	CVS-MV-006	1	Male Elbow	C.S. / SST	
17	CVS-A-0141	4	Base Screw	C.S. Cad. Pl.	37	CVS-MV-007	3	Reducers	PI / Brass	
18	CVS-A-0425	4	Lock washer	Cad. Pl.	38	CVS-A-0225	1	Injector head Locknut	Brass	
19	CVS-MV-013	1	Set Screw	Steel	39 ^A	CVS-MV-KIT	1	Micro Valve Conversion Kit	Std.	
20	CVS-A-1835	1	Air Vent	Brass	40 ^A	CVS-MV-KIT-S	1	Micro Valve Conversion Kit	Sour	
	CVS-A-1835SS			SST						

* Recommended spare parts.
 ** Parts not mounted, packaged with unit.
 A Not Shown

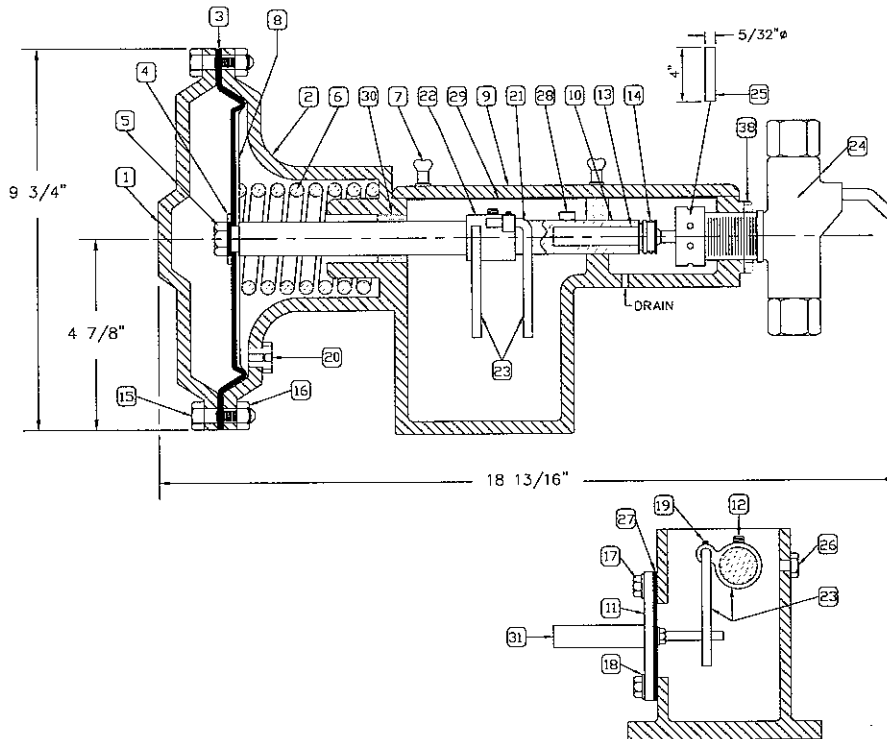


Figure 7: CVS Series 51 Chemical Injection Pump with Micro Valve

CVS Series 51 Chemical Injection Pump with Micro Valve

Item	Part Number	Qty	Name	Material
32	CVS-A-1193	1	3/8" Tubing	SST
33	CVS-A-4015	1	Male Connector	C.S. or SST
34	CVS-A-2489	1	Exhaust Valve	Pl. Brass
35	CVS-MV-006	1	Male Elbow	C.S. or SST
36	CVS-MV-007	3	Reducers	Pl. Brass
37	CVS-A-0225	1	Injector Head Locknut	Brass

NOTE: 1/4" FNPT GAS EXHAUST
 The backpressure on this exhaust port must be zero psig.

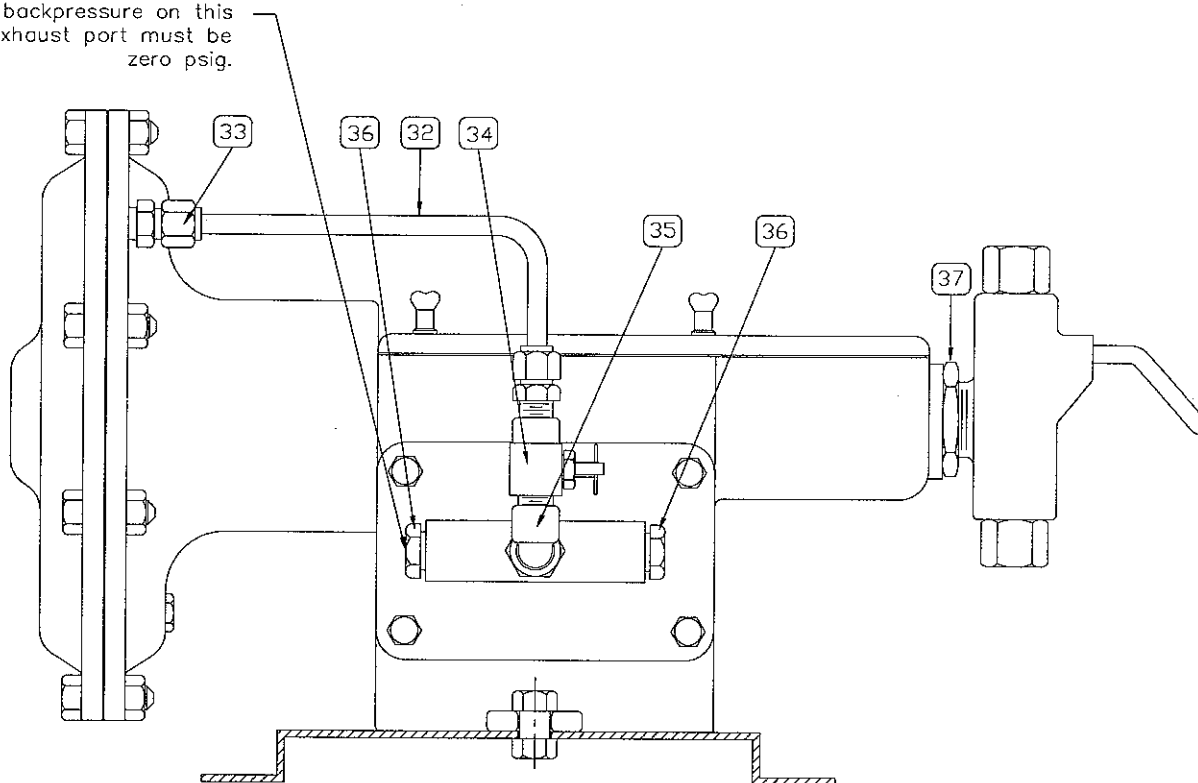


Figure 8: CVS Series 51 Chemical Injection Pump with Micro Valve

CVS Series 51 Chemical Injection Pump with Pilot Valve

Parts List

Item	Part Number	Qty	Name	Material	Item	Part Number	Qty	Name	Material
1	CVS-C-0252	1	Diaphragm Cover	Aluminum	20	CVS-A-1835	1	Air Vent	Brass
						CVS-A-1835-SS			SST
2	CVS-D-0251	1	Housing	Aluminum	21*	CVS-A-1820	1	Flipper Spring	Steel
	CVS-C-0290	1	Diaphragm	Buna-N	22*	CVS-A-0746	3	Spacer	Steel
3*	CVS-C-0290/HS	1	Diaphragm	Highly Saturated	23	CVS-A-1832	1	Stirrup Assembly	Aluminum & Steel
	CVS-C-0290/CN	1	Diaphragm	Cotton / Nitrile		CVS-C-0275	1	1/4" Injector Head	Cast Stl Pl
4	CVS-A-3321	1	Washer	Hvy. Stl. Cad Pl.	24	CVS-C-0276	1	3/8" Injector Head	
5	CVS-A-3320	1	Locknut	Stl. Cad. Pl.		CVS-C-0272	1	1/2" Injector Head	
6*	CVS-A-1821	1	Return Spring	C.S. Cad. Pl.	25**	CVS-A-0315	1	Gland Wrench	Steel
	CVS-1821SS			SST					
7	CVS-A-0136	4	Wing Screws	Stl. Cad. Pl.	26*	CVS-A-1838	1	Spring Adapter (Bottom)	Steel
8	CVS-B-0438	1	Diaphragm Plate	Steel	27*	CVS-A-0058	1	Gasket, Pilot Valve	Fiber
9	CVS-B-0548	1	Cover	Aluminum	28	CVS-A-1829	1	Hex Head Screw	Steel
10	CVS-B-0444	1	Thrust Rod	Steel	29	CVS-A-3406	1	Int. Tooth Lock Washer	Stl. Cad. Pl.
11	CVS-B-0446	1	Pilot Valve		30	CVS-B-0471	1	Trip Stirrup	Aluminum
12	CVS-A-1823	1	Bumper Plate	Steel	31*	CVS-A-1838	1	Spring Adapter (Top)	Steel
13	CVS-B-0447	1	Rod Adapter	Steel	32*	CVS-A-2355	1	Roll pin	Steel
14	CVS-A-0290	1	Roll Pin	Steel	33	CVS-A-3323	1	Hex Nut	Stl. Cad. Pl.
15	CVS-A-0139	8	Hex Hd. Capscrew	Steel	34	CVS-A-1827	1	Bumper Plate Screw	Steel
16	CVSA-2207	8	Hex Nut	Steel	35*	CVS-A-1828	1	Adjusting Pin	Steel
17	CVS-A-0141	4	Base Screw	C.S. Cad. Pl.	36	CVS-A-1546	1	Cover Gasket	Buna-N
18	CVS-A-0425	4	Lock washer	Cad. Pl.	37	CVS-B-0001	1	Bushing	BRZ
19	CVS-A-0459	1	Lock washer	Cad. Pl.					

* Recommended spare parts.
 ** Parts not mounted, packaged with unit.

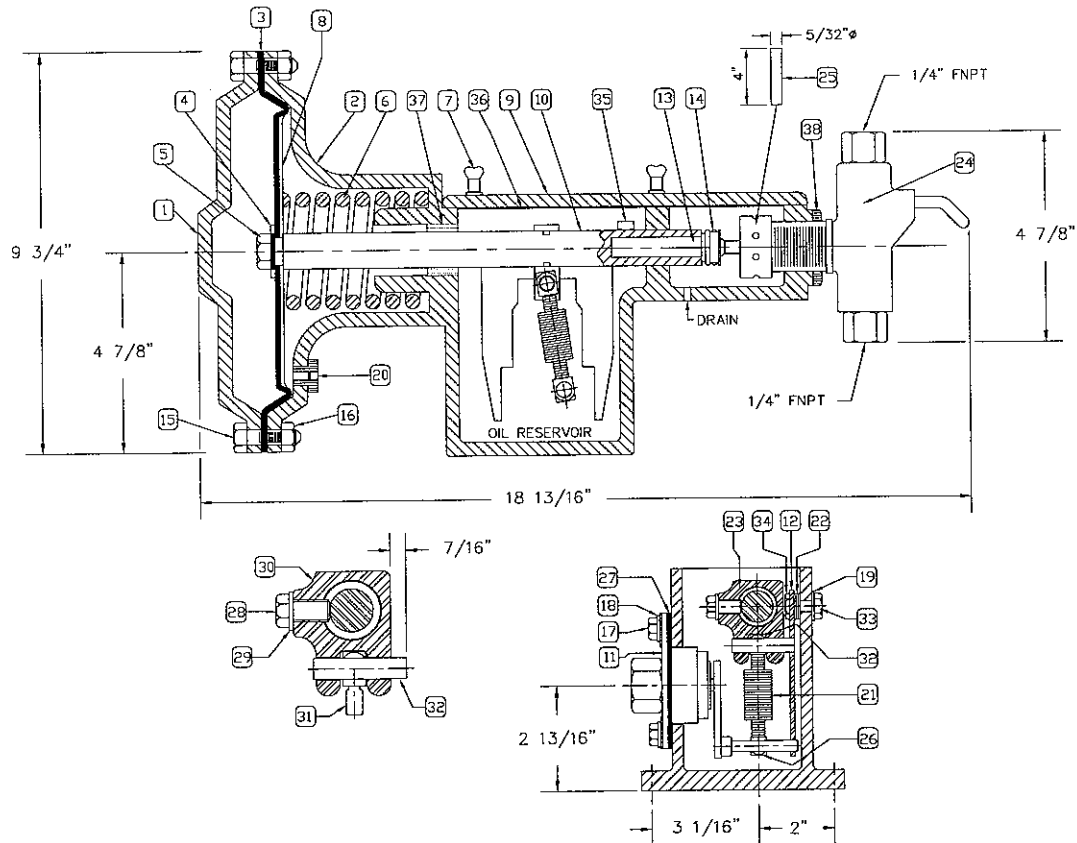


Figure 9: CVS Series 51 Chemical Injection Pump with Pilot Valve

CVS Series 51 Chemical Injection Pump with Pilot Valve

Parts List

Item	Part Number	Qty	Name	Material
1	CVS-A-0950	1	Base	Steel
2	CVS-A-4016	1	Elbow connector & Compression Nut Assembly	C.S. Cadmium Pl.
3	CVS-A-0300	4	Cut Washer	Steel
4	CVS-A-0425	2	Lock Washer	Steel
5	CVS-A-0144	1	Hex. Nut	Steel
6	CVS-A-0142	1	Hex Hd. Cap Screw	Steel Cad. Pl.
7	CVS-A-1193	1	3/8" Tubing	SST
8	CVS-A-2489	1	Exhaust Valve	Ni Plated Brass
9	CVS-A-0075	1	Street Elbow	Pl. Brass
10	CVS-A-4015	1	Male Connector & Compression Nut Assembly	C.S. Cad Plated

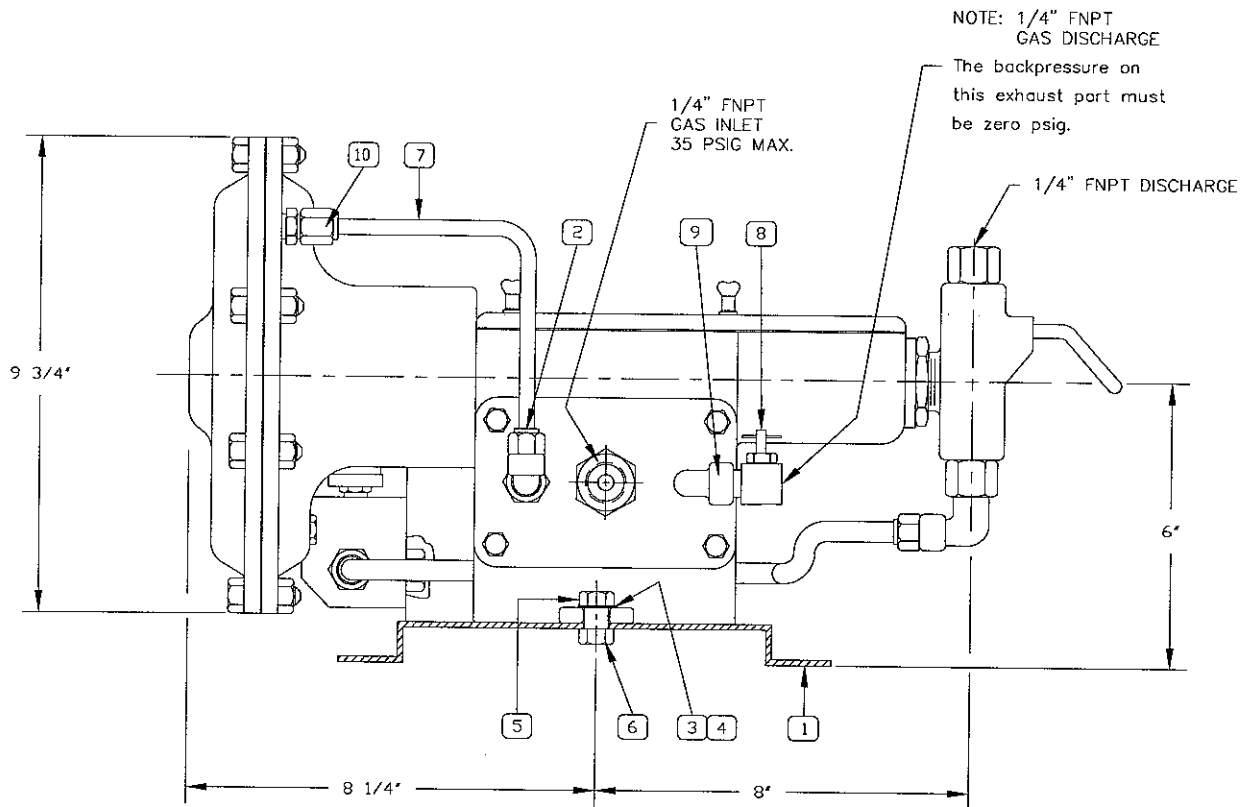


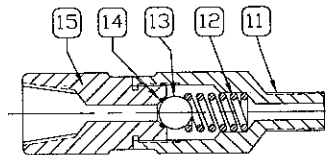
Figure 10: CVS Series 51 Chemical Injection Pump with Pilot Valve

Pilot Valve and Check Valve for CVS Series 51 Chemical Injection Pump

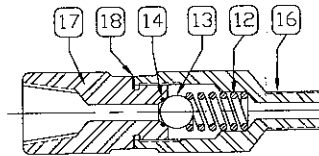
Parts List

Item	Part Number	Qty	Name	Material
1	CVS-A-0906	1	Disc Retainer	C.S. Cad Plated
2	CVS-A-0077	1	Spring	SST
3*	CVS-A-4147	1	Valve Disc and Drive-Pin Assembly	17-4PH SST
	CVS-A-4062	1	Pin Only	Steel Hardened
4*	CVS-A-0579	1	Washer	SST
5	CVS-B-0441	1	Pilot Valve Body	Cast Iron
6	CVS-A-4016	1	Elbow Connector & Compression Nut Assembly	C.S. Cad Plated
7	CVS-B-0440	1	Flipper Arm & Bearing Assembly	17-4PH SST flipper Arm with C.S. Bearing
8	CVS-A-2489	1	Exhaust Valve	Brass, Ni Plated
9	CVS-A-0167	1	Washer	Steel
10	CVS-A-3387	1	Socket Head Capscrew	Steel
11	CVS-A-0677	1	Outlet Body	Brass
12*	CVS-A-0391	1	Spring	SST
13*	CVS-A-0054	1	3/8" Ball	SST
14*	CVS-A-0477/FS	1	O-Ring	Flourosilicone
	CVS-A-0477	1		Viton
	CVS-A-0478	1		Buna-N
15	CVS-A-0678	1	Inlet Body	Brass
16	CVS-A-1296	1	Outlet Body	SST
17	CVS-A-1297	1	Inlet Body	SST
18*	CVS-A-1574	1	Washer	Soft Iron
19*	CVS-C-0451	1	Valve Seat	Steel

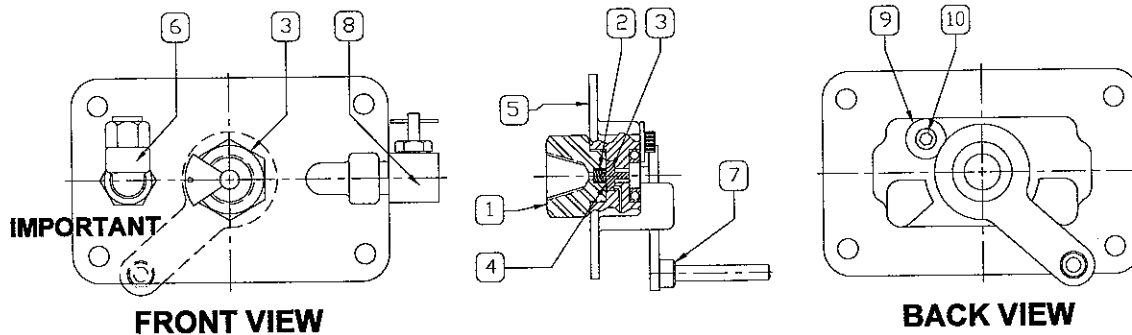
* Recommended spare parts.



**CVS-A-0676, 3000#
BRASS LINE CHECK**



**CVS-A-0675
303 SS LINE CHECK**



*NOTE: TO ASSEMBLE, MOVE LEVER ARM TO LEFT AS SHOWN AND ALIGN HOLE IN PILOT VALVE DISC WITH HOLE IN PILOT VALVE BODY.

**CVS-B-0446
PILOT VALVE ASSEMBLY**

Figure 11: Pilot Valve and Check Valve for CVS Series 51 Chemical Injection Pump

Injector Heads for CVS Series 51 Chemical Injection Pump

Parts List

Pump Model Numbers →			51-316		51-14 Soft Packing		51-38 Soft Packing		51-12 Soft Packing	
ITEM	DESCRIPTION	MATL	ALL SST TRIM	DUCTILE W/S.S. TRIM	ALL SST TRIM	DUCTILE W/S.S. TRIM	ALL SST TRIM	DUCTILE W/S.S. TRIM	ALL SST TRIM	
	HEAD ASSY. NO.		CVS-B-1472	CVS-B-0166	CVS-B-0755	CVS-B-0203	CVS-B-0756	CVS-B-0496	CVS-B-0732	
1	Body		CVS-C-2040	CVS-C-0275	CVS-C-0291	CVS-C-0276	CVS-C-0425	CVS-C-0272	CVS-C-0349	
2*	Plunger	17-4PH	CVS-A-5643	CVS-A-1312	CVS-A-1312	CVS-A-1745	CVS-A-1745	CVS-A-1876	CVS-A-1876	
	Plunger, Cryo-Treated					CVS-A-1745/CT	CVS-A-1745/CT			
3	Plunger Packing Gland	303 SST	CVS-A-5642	CVS-A-1463	CVS-A-1463	CVS-A-0957	CVS-A-0957	CVS-A-1219	CVS-A-1219	
4*	Plunger Packing** (See table for max. discharge press.)	Buna-N Hard Viton Teflon Flourosilicone	CVS-A-3969 CVS-A-3948 CVS-A-3967 CVS-A-3966 CVS-A-1461/FS	CVS-A-1461 CVS-A-2295 CVS-A-4102 CVS-A-1642 CVS-A-1461/FS	CVS-A-1461 CVS-A-2295 CVS-A-4102 CVS-A-1642 CVS-A-1461/FS	CVS-A-1456 CVS-A-1875 CVS-A-4101 CVS-A-1234 CVS-A-1456/FS	CVS-A-1456 CVS-A-1875 CVS-A-4101 CVS-A-1234 CVS-A-1456/FS	CVS-A-0959 CVS-A-1874 CVS-A-4103 CVS-A-1012 CVS-A-0959/FS	CVS-A-0959 CVS-A-1874 CVS-A-4103 CVS-A-1012 CVS-A-0959/FS	
5*	O-Ring, Suction & discharge (included in items 9 & 14)	Buna-N Viton Flourosilicone	CVS-A-0479 CVS-A-2093 CVS-A-0479/FS	CVS-A-0479 CVS-A-2580 CVS-A-0479/FS	CVS-A-0479 CVS-A-2580 CVS-A-0479/FS	CVS-A-0479 CVS-A-2580 CVS-A-0479/FS	CVS-A-0479 CVS-A-2580 CVS-A-0479/FS	CVS-A-0479 CVS-A-2580 CVS-A-0479/FS	CVS-A-0479 CVS-A-2580 CVS-A-0479/FS	
6	Top Bushing	302 SST	CVS-A-1496	CVS-A-1496	CVS-A-1496	CVS-A-1496	CVS-A-1496	CVS-A-1496	CVS-A-1496	
7*	Spring	316 SST	CVS-A-0077	CVS-A-0077	CVS-A-0077	CVS-A-0077	CVS-A-0077	CVS-A-0077	CVS-A-0077	
8*	3/8" SST Ball	316 SST	CVS-A-0054	CVS-A-0054	CVS-A-0054	CVS-A-0054	CVS-A-0054	CVS-A-0054	CVS-A-0054	
9*	Top Seat Assy	303 SST	CVS-B-0737	CVS-B-0737	CVS-B-0737	CVS-B-0737	CVS-B-0737	CVS-B-0737	CVS-B-0737	
	Top Seat Assy (Metal to Metal)		-----	CVS-A-0806	CVS-A-0806	CVS-A-0806	CVS-A-0806	CVS-A-0806	CVS-A-0806	
10*	1/4" SST Ball	316 SST	-----	CVS-A-0126	CVS-A-0126	CVS-A-0126	CVS-A-0126	CVS-A-0126	CVS-A-0126	
11	Priming Valve	303 SST	CVS-A-5462	CVS-A-1497	CVS-A-1497	CVS-A-1497	CVS-A-1497	CVS-A-1497	CVS-A-1497	
12	Plunger Pkg. Gland Nut	303 SST	CVS-A-4104	CVS-A-4104	CVS-A-4104	CVS-A-4104	CVS-A-4104	CVS-A-4104	CVS-A-4104	
	Suction Ball - 3/8"	316 SST	CVS-A-0054	CVS-A-0054	CVS-A-0054	CVS-A-0054	CVS-A-0054	CVS-A-0054	CVS-A-0054	
13*	Suction Ball - 1/2" (use with CVS-A-0771 metal to metal bottom seat only)		-----	CVS-A-0053	CVS-A-0053	CVS-A-0053	CVS-A-0053	CVS-A-0053	CVS-A-0053	
14*	Bottom Seat	303 SST	CVS-B-1216	CVS-B-0736	CVS-B-0736	CVS-B-0736	CVS-B-0736	CVS-B-0736	CVS-B-0736	
	Bottom Seat Metal to Metal (use with CVS-A-0053 1/2" ball only)		-----	CVS-A-0771	CVS-A-0771	CVS-A-0771	CVS-A-0771	CVS-A-0771	CVS-A-0771	
15	Locknut	Brass	CVS-A-0225	CVS-A-0225	CVS-A-0225	CVS-A-0225	CVS-A-0225	CVS-A-0225	CVS-A-0225	
16	Gasket	304 SST	CVS-A-4394	-----	-----	-----	-----	-----	-----	

* Recommended Spare Parts

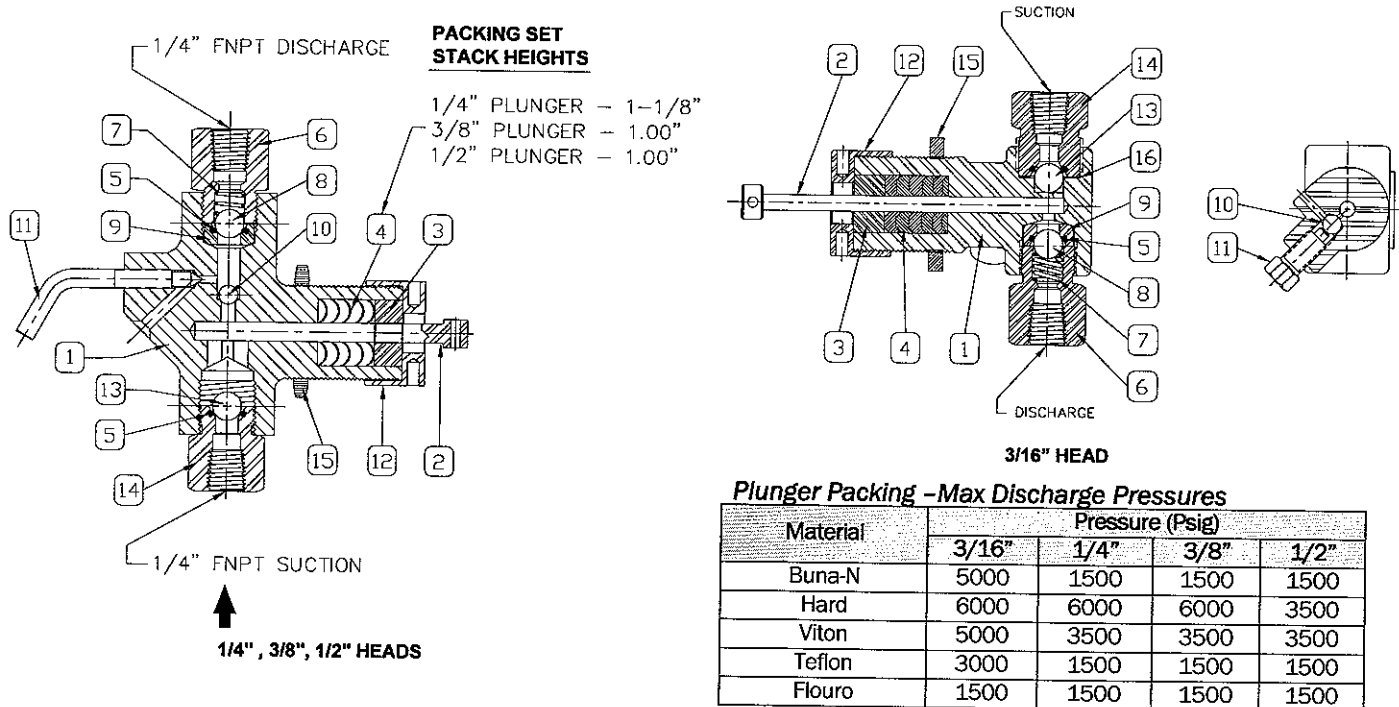
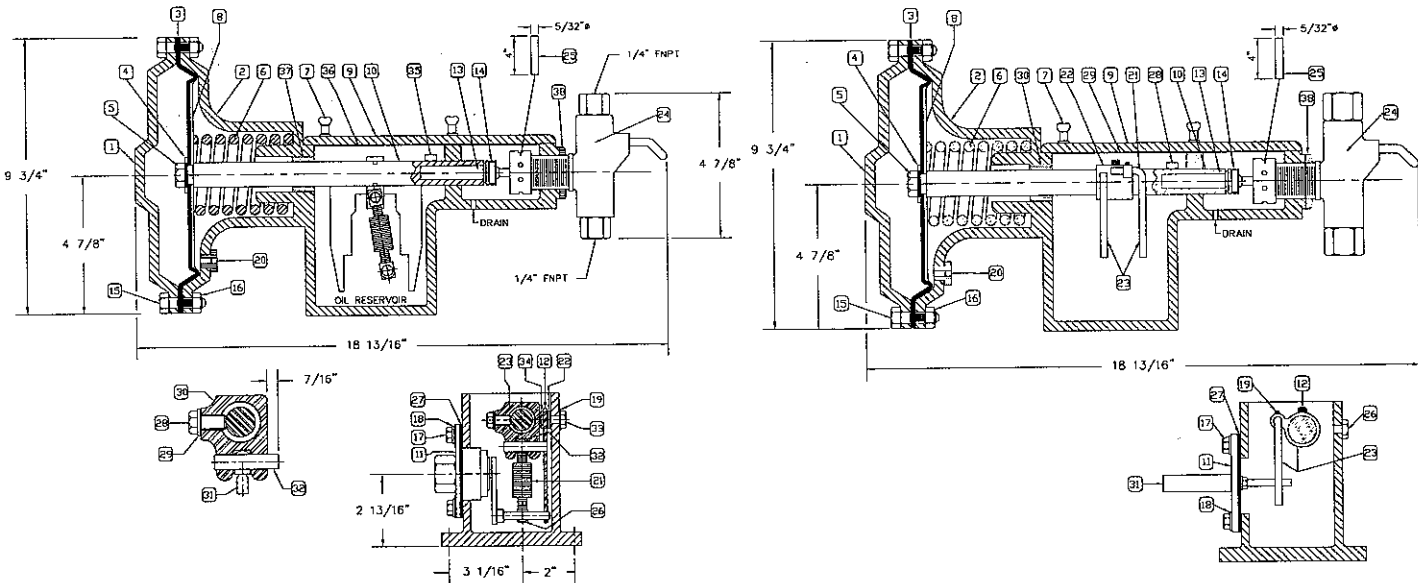


Figure 12: Injector Heads for CVS Series 51 Chemical Injection Pump

CVS Series 51 Chemical Injection Pump, Conversion from Pilot Valve to Micro Valve



Pilot Valve

Micro Valve

Micro Valve Conversion Kit

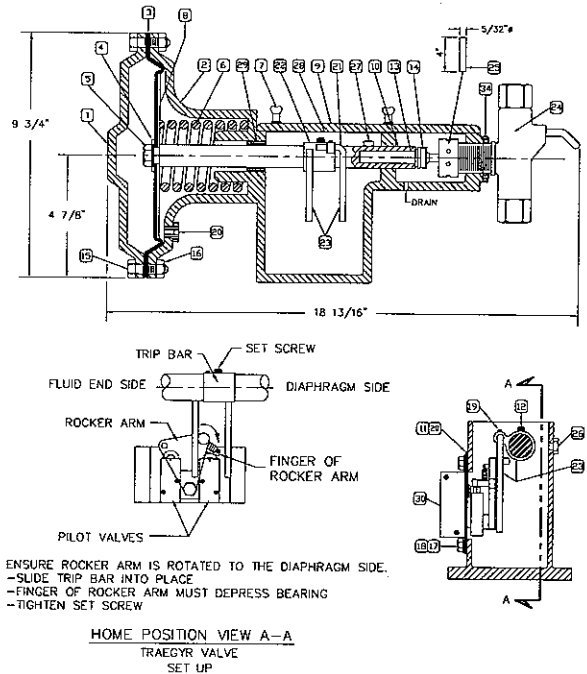
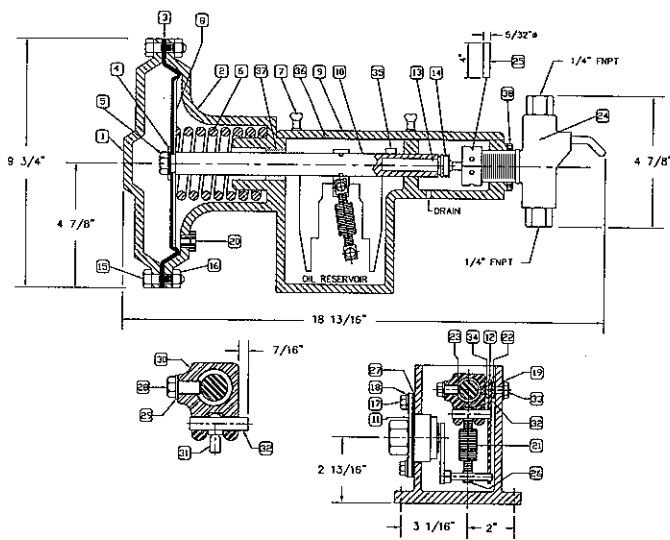
Check for the following shipped components:

- (One) 3/8" SS Tubing, CVS-A-1193
- (One) Trip Assembly, CVS-MV-003
Consists of: Trip Arm, CVS-MV-001 (One); Trip Bar, CVS-MV-002 (One); Set Screw CVS-MV-013 (One) and Set Screw; CVS-MV-012 (One)
- (One) Male Connector, CVS-A-4015
- (One) Micro Switch Assembly
- (One) Male Elbow, CVS-MV-006
Consists of: Micro Switch, CVS-MV-004 (One); Micro Valve Plate, CVS-MV-014 (One); Reducers, CVS-MV-007 (Three); Street Elbow, CVS-A-0075 (One) and Needle Valve, CVS-A-2489 (One)

To convert from Pilot Valve to Micro Valve follow the instructions listed below:

1. Disconnect air/gas supply to pilot and discharge line from head
2. Remove pilot valve assembly (Item, # 11)
3. Remove adjusting pin (Item, #35)
4. Loosen Stirrup Assembly (Item #23)
5. Remove diaphragm cover (Item, #1)
6. Slide out diaphragm and thrust rod assembly (Consists of Items # 3, 4, 5, 8 and 10)
7. Remove stirrup assembly (Item, #23)
8. Remove bumper plate (Item, #12)
9. Install Micro Valve trip bar & trip arm (Item, # 23)
10. Re-install diaphragm and thrust rod assembly (Consists of Items # 3, 4, 5, 8 and 10)
11. Re-install diaphragm cover (Item, #1)
12. Tighten set screw on trip bar (Item, #12)
13. Install micro-valve assembly
14. Install fittings and tubing
15. Reconnect discharge line and air supply
16. Re-install adjusting pin (Item, #28)

CVS Series 51 Chemical Injection Pump, Conversion from Pilot Valve to Traegyr Switch



Traegyr Valve Conversion Kit

Check for the following shipped components:

- (One) 3/8" SS Tubing
- (One) Trip Assembly, CVS-MV-003
Consists of: Trip Arm, CVS-MV-001 (One); Trip Bar, CVS-MV-002 (One); Set Screw CVS-MV-013 (One)
Set Screw; CVS-MV-012 (One)
- (One) Male Tubing Connector, CVS-A-4015
- (One) Traegyr Switch Relay
Consists of: (one) Switch Relay, CVS-TV-051010, (One) Traegyr Valve Plate, CVS-TV-014
(one) Needle Valve, CVS-A-2489

IMPORTANT

During setup ensure the trip arm is located at the home position (located closest to the diaphragm side) see above diagram. Make sure the gas/air supply exhaust valve is closed. Note: When switch is new it is unbalanced. Orient the trip bar arm so the rocker arm is rotated to the diaphragm side ensuring the bearing on the pilot valve is fully depressed. Tighten the set screw on the trip bar assembly. Open the exhaust valve slowly, this will send a signal and set arm in motion toward adjacent pilot valve bearing (this puts the switch in a balanced state). If system pressure is temporarily lost, the trip arm will return to the home position. When system pressure is restored the trip arm will be set in motion.

To convert from Pilot Valve to Traegyr Valve follow the instructions listed below:

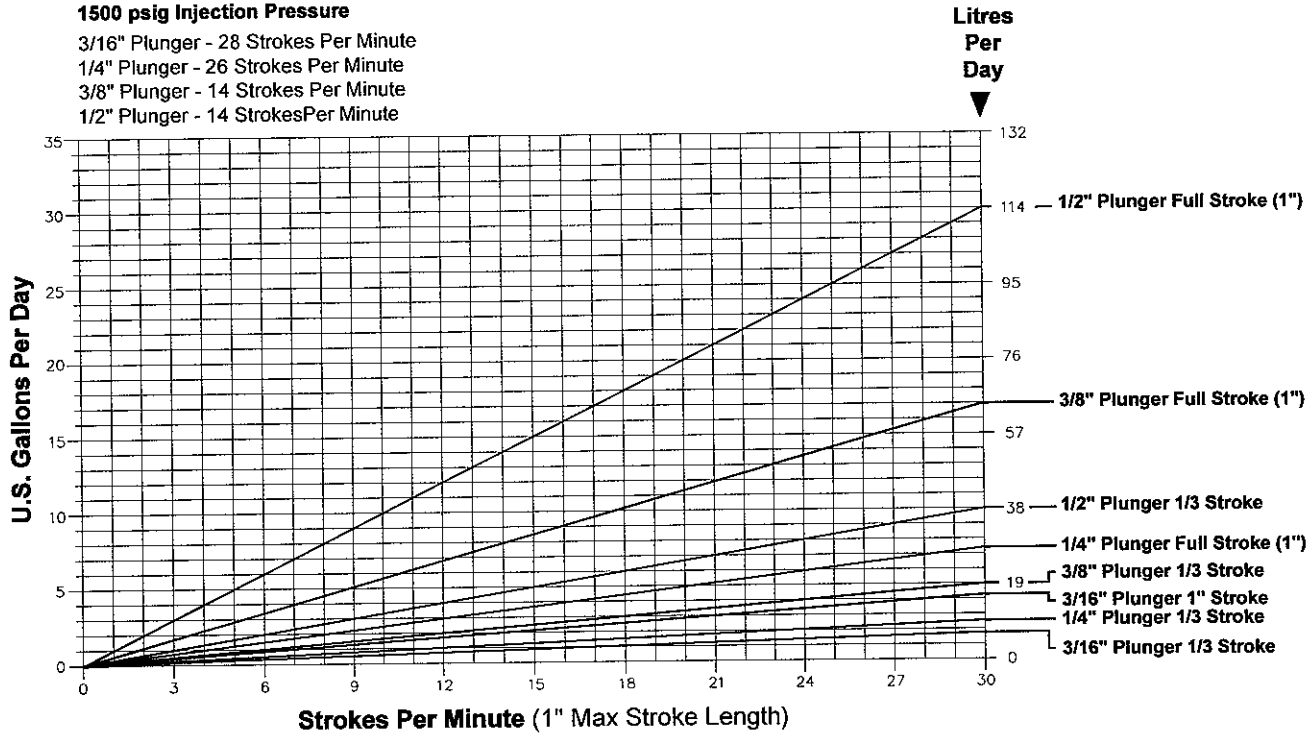
- | | |
|---|---|
| <ol style="list-style-type: none"> 1 Disconnect air/gas supply to pilot and discharge line from head 2 Remove pilot valve assembly (Item, # 11) 3 Remove adjusting pin (Item, #35) 4 Loosen Stirrup Assembly (Item #23) 5 Remove diaphragm cover (Item, #1) 6 Slide out diaphragm and thrust rod assembly 7 Remove stirrup assembly (Item, #23) 8 Remove bumper plate (Item, #12) | <ol style="list-style-type: none"> 9 Install Trip Bar Assembly 10 Re-install diaphragm and thrust rod assembly (Consists of Items # 3, 4, 5, 8 and 10) 11 Re-install diaphragm cover (Item, #1) 12 Tighten set screw on trip bar (Item, #12) 13 Install Traegyr switch assembly (#17), see note above 14 Install fittings and tubing 15 Reconnect discharge line and air supply 16 Re-install adjusting pin (Item, #28) |
|---|---|

CVS Series 51 Chemical Injection Pump, Technical Data

Model No.	Plunger Size (Inches)	Max. Discharge Pressure (Psig)	Max. Volume (GPD)	Operation Ratio Fluid/Gas
CVS-51-316	3/16"	1500	4.2	1200/1
CVS-51-14	1/4"	1500	7.5	750/1
CVS-51-38	3/8"	1500	16.8	300/1
CVS-51-12	1/2"	1500	30.0	180/1

Maximum Recommended Speed Above 1500 psig Injection Pressure

3/16" Plunger - 28 Strokes Per Minute
1/4" Plunger - 26 Strokes Per Minute
3/8" Plunger - 14 Strokes Per Minute
1/2" Plunger - 14 Strokes Per Minute



Estimated Gas Consumption (Standard cubic feet of gas required to pump one U.S. gallon) For Inlet regulator sizing, double the requirement indicated.												
Injection Press. In PSIG		100	200	500	1000	1500	2000	3000	3500	4000	5000	6000
3/16" Plunger	1" Stroke	457	458	462	470	475	530	545	555	560	575	589
	1/3" Stroke	1371	1374	1386	1407	1428	1590	1635	1665	1680	1725	1776
1/4" Plunger	1" Stroke	244	245	248	270	288	308	340	1065	369	405	497
	1/3" Stroke	732	735	744	810	864	924	1020	1065	1107	1215	1491
3/8" Plunger	1" Stroke	120	126	148	164	177	185	243	834	314	355	374
	1/3" Stroke	360	378	444	492	531	555	729	834	942	1065	1122
1/2" Plunger	1" Stroke	53	54	57	62	71	76	84	95	-----	-----	-----
	1/3" Stroke	159	162	171	186	213	228	252	285			

CVS

Controls Ltd.

Head Office
3900 - 101 Street
Edmonton, Alberta, Canada T6E 0A5
Office: (780) 437-3055
Fax: (780) 436-5461

Website: www.cvs-controls.com E-Mail: info@cvs-controls.com
Printed in Canada Rev 9, 31 July 06

Calgary Sales Office
205, 2323 - 32 Avenue NE
Calgary, Alberta, Canada T2E 6Z3
Office: (403) 250-1416
Fax: (403) 291-9487