

THE INFORMATION CONTAINED HEREIN IS THE CONFIDENTIAL PROPERTY OF TOROMONT ENERGY SYSTEMS AND IS NOT FOR PUBLICATION, AND NO PART THEREOF SHALL BE COPIED OR COMMUNICATED TO A THIRD PARTY WITHOUT AUTHORIZATION FROM TOROMONT ENERGY SYSTEMS.

V-1
 COMPRESSOR SUCTION SCRUBBER
 SIZE: 48" I.D. X 120" S/S
 M.A.W.P.: -15/245 PSIG @ 250 DEG. F
 M.D.M.T.: -20 DEG F @ 245 PSIG
 C.A.: 0.0625"
 ELEMENTS: (16) JPMG-36349
 WEIGHT: 5180 LBS

CP-1
 CONTROL PANEL
 MAKE: ALLEN BRADLEY
 MODEL: COMPACT LOGIC
 POWER: 15 A, 24 VDC
 CSA APPROVED CLASS I, DIV II, GROUP D

SKID GENERAL NOTES:

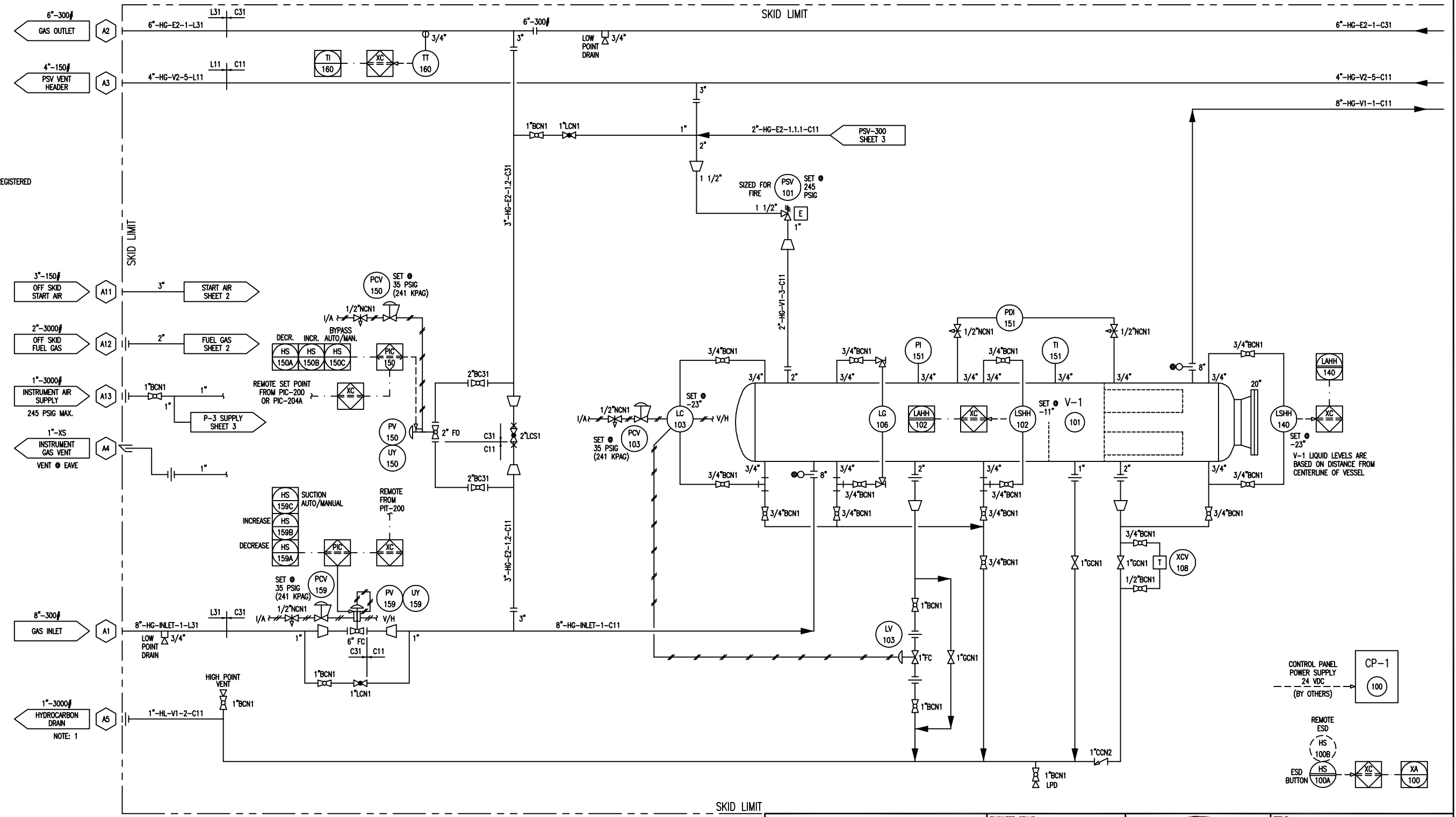
- ELECTRICAL CLASSIFICATION: CLASS 1, DIV. II, GROUP D (FIRE AND GAS DETECTION AS REQ'D BY OTHERS)
- MINIMUM DESIGN INDOOR TEMPERATURE: 60 DEG.F
- MAXIMUM DESIGN AMBIENT TEMPERATURE: 90 DEG.F
- FUEL GAS CONSUMPTION: 6880 SCFH @ 860 HP
- START GAS CONSUMPTION: 1391 SCFM @ 60 PSIG
- 806 SCFM @ 30 PSIG
- ATMOSPHERIC PRESSURE: 13.4 PSIA
- ELEVATION: 2500 FT. DESIGN
- EXHAUST STACK 1.2 TIMES PEAK HEIGHT
- C11* LINES BUILT TO C11 SPEC BUT NOT PRESSURE TESTED OR REGISTERED

CUSTOMER INTERFACE

- INPUTS FROM CUSTOMER:**
- CP-1 POWER SUPPLY
- OUTPUTS TO CUSTOMER:**
- RUN STATUS
 - SHUTDOWN

FLUID VOLUMES

- * VOLUMES BASED ON DAY TANKS HALF FULL
- COMPRESSOR OIL: S5-100
- VOLUME: 180 USG
- ENGINE OIL: SAE 40
- VOLUME: 136 USG (81 USG ENGINE)
- E.J.W.: 50/50 E.GLYCOL/WATER
- VOLUME: 110 USG
- TAW/CLOW: 50/50 E.GLYCOL/WATER
- VOLUME: 139 USG
- GEARBOX OIL: ISO 150
- VOLUME: 15 USG
- TOTAL WEIGHT OF FLUIDS: 4641 LBS



NOTE: 1 HYDROCARBON DRAIN TO BE AT EAVE HEIGHT

REV.	DESCRIPTION	DATE	BY	APPR.
2	AS BUILT	AUG 20/08	GH	AD
1	ISSUED FOR CONSTRUCTION	JUN 12/06	KW	GS

ENGINEER STAMP

TOROMONT ENERGY SYSTEMS

DRAWN BY: K. WALTON
 DATE: JULY 7, 2008

CHKD. BY: A. DURHAM
 SCALE: N/A

APPR. BY: A. DURHAM
 W.O. No: 12153101

CUST. PO No:

TITLE: P & I FLOW DIAGRAM

FOR: HUSKY ENERGY
 860HP/3512TA - SGC3515
 BOOSTER COMPRESSOR

DWG. No: 12153-101
 SHEET No: 1 OF 4
 REV: 2

THE INFORMATION CONTAINED HEREIN IS THE CONFIDENTIAL PROPERTY OF TOROMONT ENERGY SYSTEMS AND IS NOT FOR PUBLICATION, AND NO PART THEREOF SHALL BE COPIED OR COMMUNICATED TO A THIRD PARTY WITHOUT AUTHORIZATION FROM TOROMONT ENERGY SYSTEMS.

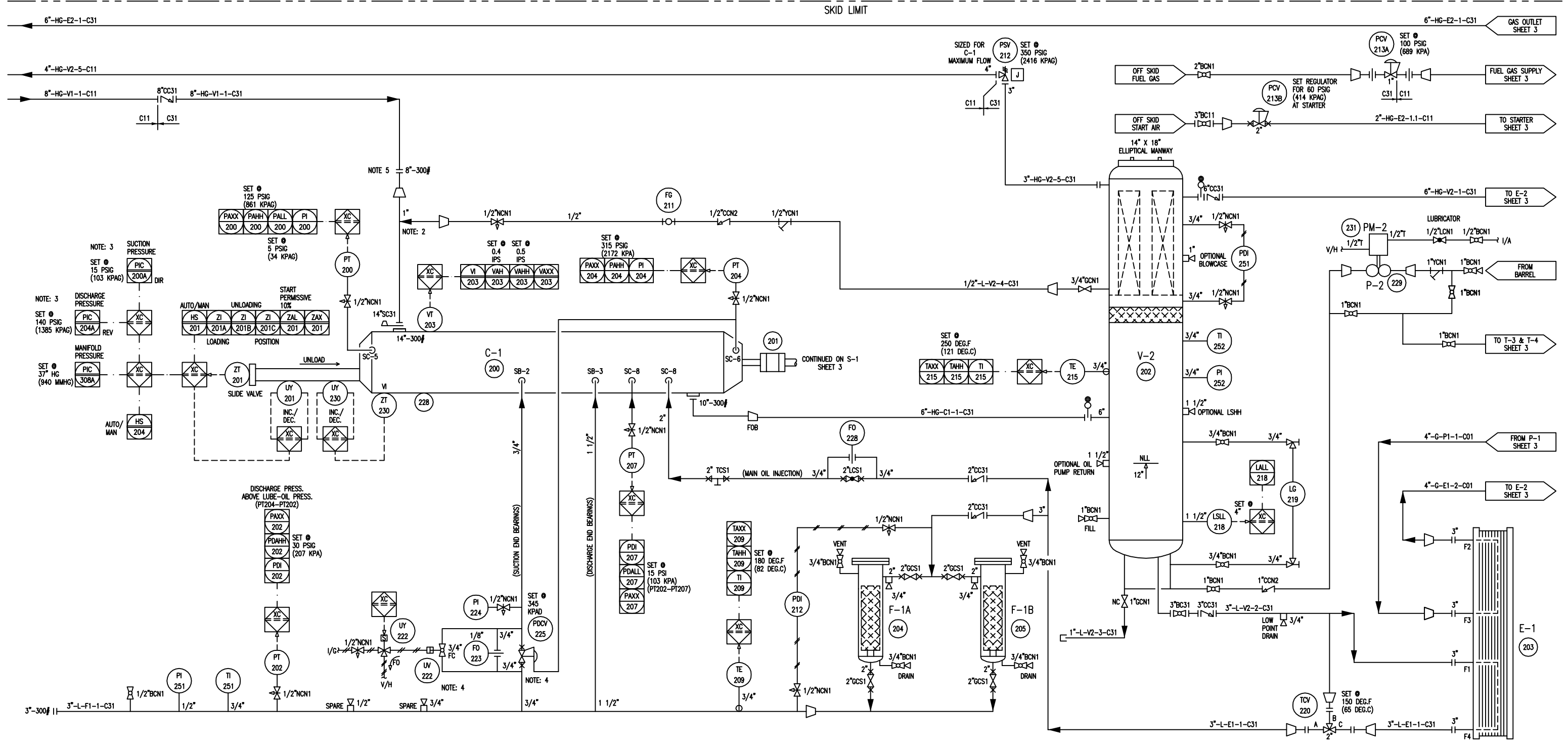
C-1
GAS COMPRESSOR
 FRICK: SGC-3515
 OPERATING SPEED: 3600 RPM
 SUCTION PRESSURE: SEE CURVES
 DISCHARGE PRESSURE: SEE CURVES
 OIL TEMPERATURE: 160 DEG F.
 POWER DRAW: SEE CURVES
 WEIGHT: 8240 LBS

F-1A/B
OIL FILTER
 SIZE: 8 5/8" O.D. X 26" S/F
 MAWP: 450 PSIG @ 250 DEG.F
 MDMT: -20 DEG.F @ 450 PSIG
 CA: 0.0625"
 ELEMENT: MODEL 1833C05 5 MICRON
 WEIGHT: 304 LBS

V-2
OIL SEPARATOR
 SIZE: 42" I.D. X 102" S/S
 MAWP: 400 PSIG @ 250 DEG.F
 MDMT: -20 DEG.F @ 400 PSIG
 CA: 0.0625"
 ELEMENT: (7) RSC1175-3
 WEIGHT: 3580 LBS

P-2
COMPRESSOR TRANSFER PUMP
 MAKE: TUTHILL
 MODEL: 4105V-C-7
 MAWP: 500 PSIG
 FLOW: 5 GPM
 FLUID: COMPRESSOR OIL
PM-2
COMPRESSOR TRANSFER PUMP MOTOR
 MAKE: HYBON
 MODEL: 8F

E-1
OIL COOLER
 MAKE: VIEX INC
 MODEL: VYN-46-SS-FS-1-100
 PLATES: 67
 MAWP OIL SIDE: 400 PSIG @ 250 DEG.F
 MAWP GLYCOL SIDE: 400 PSIG @ 250 DEG.F
 WEIGHT: 2637 LBS



NOTE: 1 ORIFICE SUPPLIED WITH COMPRESSOR
 NOTE: 2 1" CONNECTION TO ALLOW BORE SCOPE INSPECTION OF INLET STRAINER
 NOTE: 3 FIELD SET BASED ON SITE CONDITIONS
 NOTE: 4 BLOCK INTERNAL INLET PORT ON PDCV-225
 NOTE: 5 BREAK FLANGE FOR STRAINER ACCESS

REV.	DESCRIPTION	DATE	BY	APPR.
2	AS BUILT	AUG 20/08	GH	AD
1	ISSUED FOR CONSTRUCTION	JUN 12/06	KW	GS

ENGINEER STAMP

TOROMONT
 ENERGY SYSTEMS

DRAWN BY: K. WALTON
 CHRD. BY: A. DURHAM
 APPR. BY: A. DURHAM
 CUST. PO No:

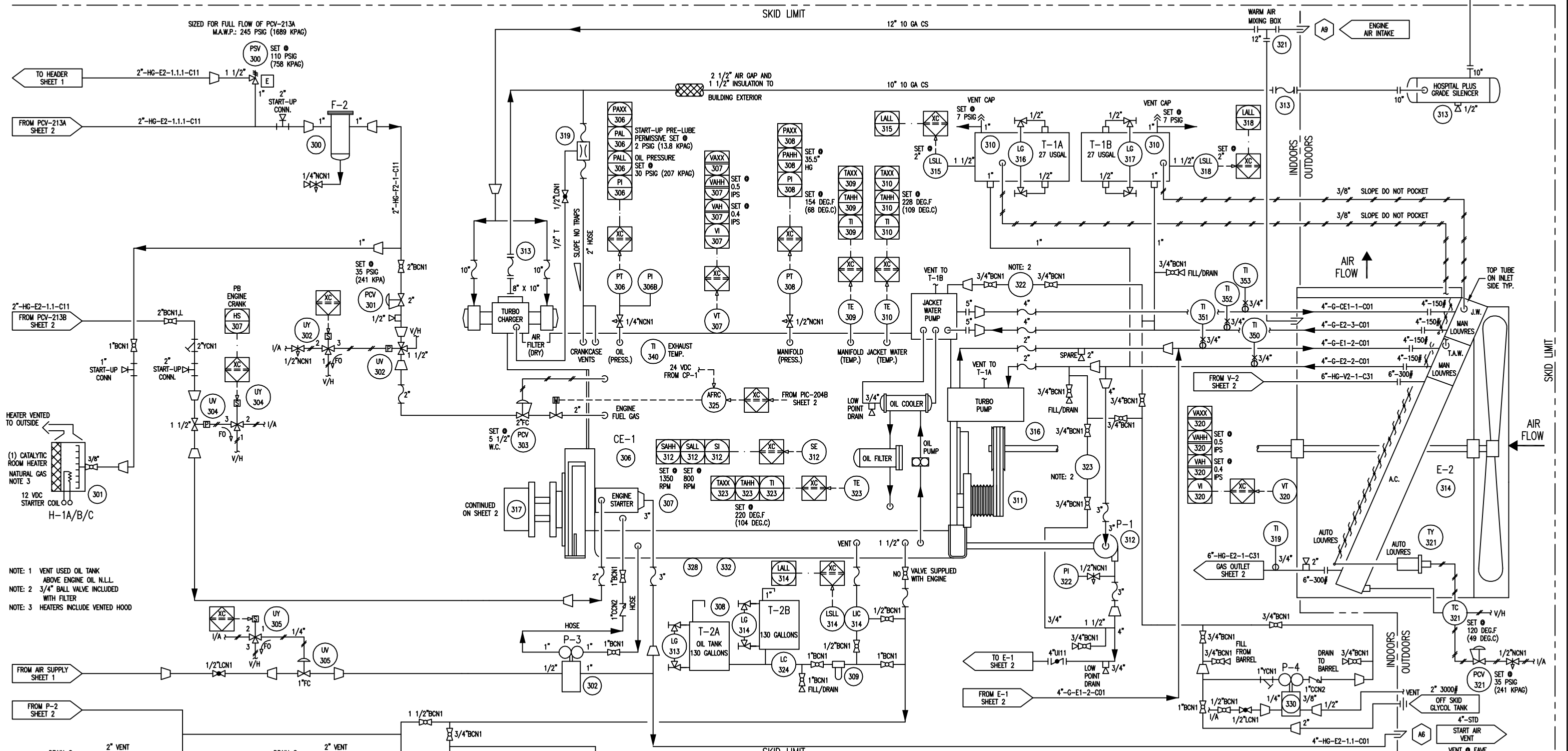
DATE: JULY 7, 2008
 SCALE: N/A
 W.O. No: 12153101

TITLE: P & I FLOW DIAGRAM
 FOR: HUSKY ENERGY
 860HP/3512TA - SGC3515
 BOOSTER COMPRESSOR

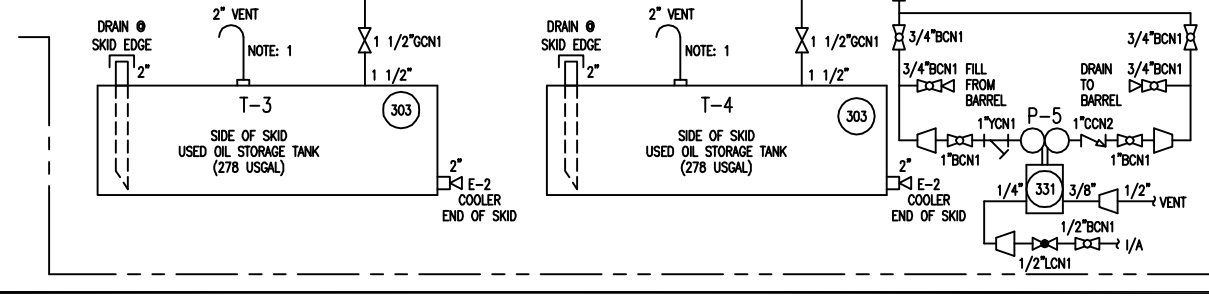
DWG. No: 12153-101
 SHEET No: 2 OF 4
 REV: 2

THE INFORMATION CONTAINED HEREIN IS THE CONFIDENTIAL PROPERTY OF TORONTO ENERGY SYSTEMS AND IS NOT FOR PUBLICATION, AND NO PART THEREOF SHALL BE COPIED OR COMMUNICATED TO A THIRD PARTY WITHOUT AUTHORIZATION FROM TORONTO ENERGY SYSTEMS.

- H-1A/B/C**
CATALYTIC ROOM HEATER
MAKE: CATA-DYNE
HEAT OUTPUT: 32,000 BTU/HR (EACH)
SIZE: 24" X 48"
STARTING ELEMENT: 120V
C/W PRESSURE REGULATOR
THERMOSTAT & SAFETY SHUTOFF
& VENT HOODS
WEIGHT: 100 LBS
- F-2**
FUEL GAS FILTER
MAKE: FINITE
MODEL: HM4S-10CN
MAMP: 500 PSIG @ 175 DEG.F
ELEMENT: 10C15-080
WEIGHT: 10 LBS
- P-5**
ENGINE OIL TRANSFER PUMP
MAKE: SANDPIPER
MODEL: G05B1ABTXNSX00
INLET GAS PRESSURE:
FLOW: 57 LPM @ 552 KPAG
FLUID: OIL
WEIGHT: 15 LBS
- P-3**
ENGINE PRE-LUBE PUMP
MAKE: WARREN RUPP
MODEL: G1FB1ABTXNSX00
INLET GAS PRESSURE:
FLOW: 25 GPM @ 20 PSIG
FLUID: SAE-40 LUBE OIL
WEIGHT: 28 LBS
- CE-1**
NATURAL GAS ENGINE
MAKE: CATERPILLAR 3512 TALE AFRC
BORE: 6.7"
STROKE: 7.5"
DISPLACEMENT: 3158 CU. IN.
COMPRESSION RATIO: 8 : 1
BHP (RATED): 860 HP @ 1200 RPM
WEIGHT: 14750 LBS
- P-1**
GLYCOL CIRCULATION PUMP
MAKE: CATERPILLAR
FLOW: 200 GPM @ 40 FTHD
FLUID: 50/50 GLYCOL
SUPPLIED WITH ENGINE
- P-4**
GLYCOL TRANSFER PUMP
MAKE: SANDPIPER
MODEL: G05B1ABTXNSX00
INLET GAS PRESSURE:
FLOW: 57 LPM @ 552 KPAG
FLUID: GLYCOL
WEIGHT: 15 LBS
- E-2**
PROCESS GAS AFTERCOOLER/GLYCOL COOLER
MAKE: ACE
MODEL: A132-18
WEIGHT: 16323 LBS
AFTERCOOLER:
MAMP: 400 PSIG @ -20/300 DEG.F
DES. AMB: 90 DEG.F
E/W/ELOW:
MAMP: 14 PSIG @ -20/300 DEG.F
DES. AMB: 95 DEG.F
TAN/CLOW:
MAMP: 14 PSIG @ -20/300 DEG.F
DES. AMB: 95 DEG.F
FAN:
MAKE: MOORE
MODEL: 8-BLADE, 48VT HD
SPEED: 305 RPM
PITCH: 13 DEGREES
POWER: 45 HP



NOTE 1 VENT USED OIL TANK ABOVE ENGINE OIL N.L.L.
NOTE 2 3/4" BALL VALVE INCLUDED WITH FILTER
NOTE 3 HEATERS INCLUDE VENTED HOOD



REV.	DESCRIPTION	DATE	BY	APPR.
2	AS BUILT	AUG 20/08	GH	AD
1	ISSUED FOR CONSTRUCTION	JUN 12/06	KW	GS

ENGINEER STAMP

DRAWN BY: K. WALTON	DATE: JULY 7, 2008
CHKD. BY: A. DURHAM	SCALE: N/A
APPR. BY: A. DURHAM	W.D. No: 12153101
CUST. PO No:	

TORONTO ENERGY SYSTEMS

TITLE: P & I FLOW DIAGRAM
FOR: HUSKY ENERGY 860HP/3512TA - SGC3515 BOOSTER COMPRESSOR

DWG. No: 12153-101 SHEET No: 3 OF 4

THE INFORMATION CONTAINED HEREIN IS THE CONFIDENTIAL PROPERTY OF TORONTO ENERGY SYSTEMS AND IS NOT FOR PUBLICATION, AND NO PART THEREOF SHALL BE COPIED OR COMMUNICATED TO A THIRD PARTY WITHOUT AUTHORIZATION FROM TORONTO ENERGY SYSTEMS.

LINE IDENTIFICATION

A^m-B-CD-E-FGH-IJ,K

- A : NOMINAL LINE SIZE IN INCHES
- B : FLUID
 - FG FUEL GAS
 - G GLYCOL
 - HG HYDROCARBON GAS
 - HL HYDROCARBON LIQUID
 - I/A INSTRUMENT AIR
 - I/G INSTRUMENT GAS
 - L LUBE OIL (COMPRESSOR)
 - W COOLING WATER
- C : EQUIPMENT TYPE
 - C COMPRESSOR
 - E EXCHANGER
 - F FILTER
 - G GENERATOR
 - H HEATER
 - P PUMP
 - S SPEED INCREASER
 - T TANK
 - V PRESSURE VESSEL

- MODIFIER
- E ENGINE
 - M MOTOR

- D : EQUIPMENT NUMBER:
1 TO 9 SEQUENTIAL NUMBERS
- E : LINE NUMBER:
1 TO 9 SEQUENTIAL NUMBERS FROM EQUIPMENT

- FGH : PIPING SPECIFICATION
- F : MATERIAL GROUP
 - C CARBON STEEL
 - L LOW TEMPERATURE CARBON STEEL
 - S STAINLESS STEEL

- G : ANSI 16.5 FLANGE CLASS
 - 0 NON CODE
 - 1 150#
 - 3 300#
 - 6 600#
 - 9 900#
 - 15 1500#
 - 25 2500#

- H : LINE MATERIAL SPECIFICATION REFERENCE:
1 TO 9 SEQUENTIAL NUMBERS

- I : INSULATION TYPE (IF REQUIRED)
 - C COLD
 - H HOT
 - HC HOT/COLD
 - HT HEAT TRACING
 - PP PERSONAL PROTECTION

- J : INSULATION THICKNESS (IF REQUIRED)
THICKNESS IN MILLIMETERS OR INCHES

- K : TRACING (IF REQUIRED)
 - ET ELECTRICAL TRACING
 - GT GLYCOL TRACING
 - ST STEAM TRACING

EXAMPLE: 3"-HG-V1-2-C11-HTXX,ET

- 3" - LINE SIZE
- HG - HYDROCARBON GAS
- V1 - PRESSURE VESSEL TAG NUMBER (V-1)
- 2 - SECOND LINE FROM VESSEL
- C11 - C CARBON STEEL LINE
 - 1 150# ANSI FLANGE RATING
 - 1 LINE MATERIAL SPECIFICATION REFERENCE
- HT - HEAT TRACING INSULATION
- XX - THICKNESS IN MILLIMETERS OR INCHES (*)
- ET - ELECTRICAL TRACING

VALVE IDENTIFICATION

A^mBCDE,F

- A : NOMINAL VALVE SIZE IN INCHES
- B : TYPE
 - A ANGLE GLOBE
 - B BALL
 - C CHECK
 - G GATE
 - L GLOBE
 - M MANIFOLD
 - N NEEDLE
 - P PLUG
 - S START-UP STRAINER
 - T TEE STRAINER
 - U BUTTERFLY
 - Y Y PATTERN STRAINER
- C : BODY MATERIAL
 - B BRONZE
 - C CARBON STEEL
 - I CAST IRON
 - L LOW TEMP. CARBON STEEL
 - S STAINLESS STEEL
- D : END CONNECTIONS
 - 1 FLANGED 150#
 - 3 FLANGED 300#
 - 6 FLANGED 600#
 - 9 FLANGED 900#
 - 15 FLANGED 1500#
 - 25 FLANGED 2500#
 - B BUTT WELD
 - C SW BY NPT
 - F NPT BY FLANGE (MANIFOLD)
 - M NPT MALE BY NPT FEMALE
 - N NPT (THREADED)
 - S SW (SOCKETWELD)
 - T TUBE (SWAGELock)

- E : UNIQUE DESCRIPTION
REFER TO VALVE DATA SHEETS

- F : MODIFIER
 - C CHAIN OPERATOR
 - E EXTENDED BONNET
 - G GEAR OPERATOR
 - L LOCKING DEVICE
 - N NACE TRIM
 - O OXYGEN SERVICE/CLEANING
 - P FULL PORT DESIGN
 - R RTJ FLANGED
 - S SPRING HANDLE (CLOSE)
 - X SPECIAL SPECIFICATIONS

EXAMPLE: 6"GC11,C
6" VALVE SIZE 1 150#
G GATE 1 API-600
C CARBON STEEL C CHAIN OPERATOR

VALVE TYPES

- ANGLE GLOBE VALVE
- BALL VALVE
- BUTTERFLY VALVE
- CHECK VALVE
- GATE VALVE
- GLOBE VALVE
- NEEDLE VALVE
- PLUG VALVE
- 3-WAY VALVE
- 4-WAY VALVE
- VALVE W/BLEED
- VALVE W/PLUG

VALVE CONNECTIONS

- THREADED
- WELDED (BUTT OR SOCKET)
- THREADED BY WELDED
- FLANGED

LINE CODE

- PRIMARY PROCESS LINE
- SECONDARY PROCESS LINE
- INSTRUMENT PROCESS LINE (TUBING)
- BY OTHERS
- SKID LIMIT
- PNEUMATIC SIGNAL
- ELECTRIC SIGNAL
- CAPILLARY TUBING
- INSTRUMENT SYSTEM LINK (ELECTRONIC MEMORY SHARING)

CONTROL VALVES

- POSITIONER DIAPHRAGM CONTROL VALVE
- OUTLET PRESSURE REGULATOR (SELF-CONTAINED)
- INLET PRESSURE REGULATOR (SELF-CONTAINED)
- PRESSURE DIFFERENTIAL CONTROL VALVE (SELF-CONTAINED)
- TWO-WAY SOLENOID VALVE
- THREE-WAY SOLENOID VALVE
- MOTOR ACTUATOR
- HYDRAULIC/PNEUMATIC PISTON OPERATED

MISCELLANEOUS

- PRESSURE SAFETY/RELIEF VALVE
- DESIGNATES API ORIFICE SIZE
- RUPTURE DISC FOR PRESSURE RELIEF
- RUPTURE DISC FOR VACUUM RELIEF
- SPECTACLE BLIND (LINE OPEN)
- SPECTACLE BLIND (LINE CLOSED)
- CONE START-UP STRAINER
- BASKET START-UP STRAINER
- Y-PATTERN STRAINER
- TEE STRAINER
- FLEXIBLE CONNECTION
- CONTINUOUS LIQUID DRAINER OR STEAM TRAP
- VORTEX BREAKER
- DIAPHRAM SEAL
- SKID TIE-POINTS
- OPEN DRAIN
- THICKNESS ?? INSULATION TYPE
- ?? ?? ELECTRIC HEAT TRACE
- ?? ?? GLYCOL OR STEAM HEAT TRACE

FIRST LETTER	SUCCEEDING LETTERS	INSTRUMENT IDENTIFICATION GENERAL REFERENCE (ISA - S5.1)												
		PRIMARY ELEMENT	INDICATOR	RECORDER	CONTROLLER			TRANS-MITTER	CONTROL		CONTROL VALVE OR REGULATOR	SELF-ACTIVATED VALVE	RELAY OR CONVERTOR	
					BLIND	INDICATING	RECORDING		SWITCH	ALARM				
A	ANALYSIS	ALARM	AE	AI	AR	AC	AIC	ARC	AT	AS()	AA()	AV		AY
B	USER'S CHOICE													
C	CONDUCTIVITY	CONTROL OR CLOSE	CE	CI	CR	CC	CIC	CRC	CT	CS()	CA()	CV		CY
D	DENSITY OR MASS (DIFFERENTIAL)	DIFFERENTIAL	DE	DI	DR	DC	DIC	DRC	DT	DS()	DA()	DV		DY
E	VOLTAGE	PRIMARY ELEMENT	EE	EI	ER	EC	EIC	ERC	ET	ES()	EA()	EV		EY
F	FLOW (RATIO OR FRACTION)	SHUTDOWN FIRST OUT	FE	FI	FR	FC	FIC	FRC	FT	FS()	FA()	FV	FCV	FY
G	GAUGING	GLASS	GE	GI	GR	GC	GIC	GRC	GT	AD()	GA()	GV		
H	HAND	HIGH				HC	HIC	HRC	HT	HS()		HV	HCV	HY
I	CURRENT	INDICATE	IE	II	IR	IC	IIC	IRC	IT	IS()	IA()			IY
J	POWER (SCAN)		JE	JI	JR	JC	JIC	JRC	JT	JS()	JA()			JY
K	TIME	CONTROL STATION		KI	KR	KC	KIC	KRC	KT	KS()	KA()	KV		KY
L	LEVEL	LOW	LE	LI	LR	LC	LIC	LRC	LT	LS()	LA()	LV	LCV	LY
M	MOISTURE, HUMIDITY	MIDDLE OR INTERMEDIATE	ME	MI	MR	MC	MIC	MRC	MT	MS()	MA()	MV		MY
N	USER'S CHOICE													
O	USER'S CHOICE	ORIFICE OR OPEN												
P	PRESSURE OR VACUUM		PE	PI	PR	PC	PIC	PRC	PT	PS()	PA()	PV	PCV	PY
Q	QUANTITY OR EVENT (INTEGRATE/TOTALIZE)			QI	QR	QC	QIC	QRC	QT	QS()	QA()	QV		QY
R	RELIEF OR RESTRICTION	RECORD OR PRINT	RE	RI	RR	RC	RIC	RRC	RT	RS()	RA()			RY
S	SPEED OR FREQUENCY	SWITCH OR SAFETY		SI	SR	SC	SIC	SRC	ST	SS()	SA()			SY
T	TEMPERATURE	TRANSMIT	TE	TI	TR	TC	TIC	TRC	TT	TS()	TA()	TV	TCV	TY
U	MULTI-VARIABLE	MULTIFUNCTION		UI	UR	UC	UIC	URC				UV		
V	VIBRATION	VALVE OR DAMPER	VE	VI	VR	VC	VIC	VRC	VT	VS()	VA()	VV		VY
W	WEIGHT OR FORCE	WELL	WE	WI	WR	WC	WIC	WRC	WT	WS()	WA()	WV		WY
X	LIGHT	UNCLASSIFIED (DIAGNOSTIC)	XE	XI	XR	XC	XIC	XRC	XT	XS()	XA()	XV		XY
Y	USER'S CHOICE	RELAY OR COMPUTE												YY
Z	POSITION	DRIVE OR ACTUATE	ZE	ZI	ZR	ZC	ZIC	ZRC	ZT	ZS()	ZA()			ZY

INSTRUMENTS

- LOCAL MOUNTED
- LOCAL PANEL MOUNTED
- MOUNTED BEHIND OR IN LOCAL PANEL
- MAIN PANEL MOUNTED
- MOUNTED BEHIND OR IN MAIN PANEL
- MAN MACHINE INTERFACE IN MAIN PANEL
- BY OTHERS
- PILOT LIGHT
 - * COLOUR
 - (A) AMBER (B) BLUE
 - (G) GREEN (O) ORANGE
 - (R) RED (W) WHITE
- RELAY OR CONVERTER
 - * FOR INPUT/OUTPUT SEQUENCES
 - DESIGNATION: SIGNAL:
 - I CURRENT (ELECTRICAL)
 - P PNEUMATIC
- PROGRAMMABLE LOGIC CONTROLLER (PLC)
XC REPRESENTS GENERAL LOGIC
- INTERLOCK
- ELECTRICAL (HARD WIRE) INTERLOCK
- THERMOWELL (THREADED)
- THERMOWELL (WELDED)

- (C) -CLOSE
- (H) -HIGH ALARM
- (HH) -HIGH SHUTDOWN
- (O) -OPEN
- (L) -LOW ALARM
- (LL) -LOW SHUTDOWN
- (XX) -DIAGNOSTIC SHUTDOWN (USED TO INDICATE THE DIAGNOSTIC CHECK REQ'D ON THE ANALOG INPUT)

ABBREVIATIONS

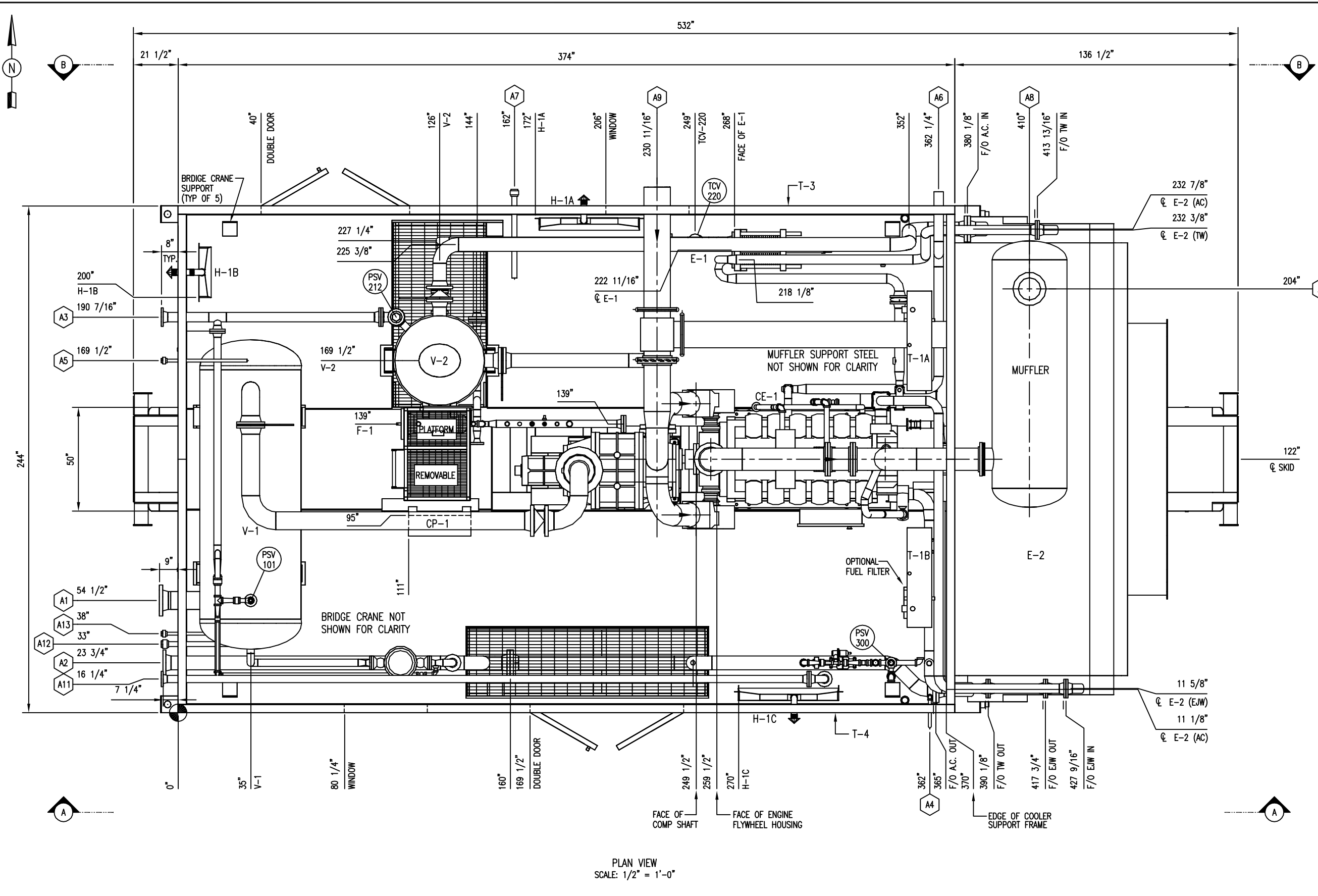
- AOUT AUTOMATIC OUTPUT
- CA CORROSION ALLOWANCE
- CSO CAR SEAL OPEN
- CUST CUSTOMER
- DEG.C DEGREES CELSIUS
- DEG.F DEGREES FARENHEIT
- DIR DIRECT ACTING
- DB DEADBAND
- Δ DELTA (DIFFERENTIAL)
- ESD EMERGENCY SHUTDOWN
- FC FAIL CLOSED
- FO FAIL OPEN
- FOT FLAT ON TOP
- FLP FAIL LAST POSITION
- FT2 SQUARE FEET
- FT3 CUBIC FEET
- HI HIGH
- HLL HIGH LIQUID LEVEL
- HR HOUR
- HTR HEATER
- I/A INSTRUMENT AIR
- I/G INSTRUMENT GAS
- I/O INPUT / OUPUT
- I.D. INSIDE DIAMETER
- KGS KILOGRAMS
- KPAA KILOPASCAL ABSOLUTE
- KPAD KILOPASCAL DIFFERENTIAL
- KPAG KILOPASCAL GAUGE
- PP KILOWATTS
- LBS POUNDS
- LC LOCKED CLOSED
- LO LOCKED OPEN
- LP LOCKED IN POSITION
- M2 SQUARE METERS
- M3 CUBIC METERS
- MAX MAXIMUM
- MAWP MAXIMUM ALLOWABLE WORKING PRESSURE
- MCC MOTOR CONTROL CENTER
- MDMT MINIMUM DESIGN METAL TEMPERATURE
- MIN MINIMUM
- MM MILLIMETER
- MOUT MANUAL OUTPUT
- MS MOTOR STARTER
- NC NORMALLY CLOSED
- NLL NORMAL LIQUID LEVEL
- NO NORMALLY OPEN
- NPT NATIONAL PIPE THREAD
- OIC OPERATOR INTERFACE COMPUTER
- O.D. OUTSIDE DIAMETER
- PB PUSH BUTTON
- PSIA POUNDS / SQUARE INCH ABSOLUTE
- PSID POUNDS / SQUARE INCH DIFFERENTIAL
- PSIG POUNDS / SQUARE INCH GAUGE
- PLC PROGRAMMABLE LOGIC CONTROLLER
- REV REVERSE ACTING
- RST RESET (INTEGRAL)
- SCR SILICON CONTROLLED RECTIFIER
- S/F SEAM TO FACE OF FLANGE
- SP SETPOINT
- SPC CALCULATED SETPOINT
- SS SELECTOR SWITCH
- S/S SEAM TO SEAM
- T/T TANGENT TO TANGENT
- TS/TS TUBESHEET TO TUBESHEET
- T/L TUBE LENGTH
- V/H VENT HEADER

REV.	DESCRIPTION	DATE	BY	APPR.
2	AS BUILT	AUG 20/08	GH	AD
1	ISSUED FOR CONSTRUCTION	JUN 12/06	KW	GS

ENGINEER STAMP	

TORONTO ENERGY SYSTEMS		TITLE: P & I FLOW DIAGRAM	
DRAWN BY: K. WALTON	DATE: JULY 7, 2008	FOR: HUSKY ENERGY 860HP/3512TA - SGC3515 BOOSTER COMPRESSOR	
CHKD. BY: A. DURHAM	SCALE: N/A	W.O. No: 12153101	
APPR. BY: A. DURHAM	W.O. No: 12153101	DWG. No: 12153-101	SHEET No: 4 OF 4
CUST. PO No:			REV: 2

THE INFORMATION CONTAINED HEREIN IS THE CONFIDENTIAL PROPERTY OF TOROMONT ENERGY SYSTEMS AND IS NOT FOR PUBLICATION, AND NO PART THEREOF SHALL BE COPIED OR COMMUNICATED TO A THIRD PARTY WITHOUT AUTHORIZATION FROM TOROMONT ENERGY SYSTEMS.



NOZZLE SCHEDULE				
MARK	SERVICE	SIZE	RATING	TYPE
A1	GAS INLET	8"	300#	RFWN
A2	GAS OUTLET	6"	300#	RFWN
A3	PSV VENT	4"	STD	PIPE
A4	INSTRUMENT AIR VENT	1"	XS	PIPE
A5	HYDROCARBON DRAIN	1"	3000#	NPT
A6	START AIR VENT	4"	STD	PIPE
A7	GLYCOL TRANSFER PUMP	2"	3000#	PIPE
A8	ENGINE EXHAUST	10"	10 GA	TUBE
A9	ENGINE AIR INTAKE	12"	10 GA	TUBE
A11	OFF SKID START GAS	3"	150#	RFWN
A12	OFF SKID FUEL GAS	2"	3000#	NPT
A13	OFF SKID I/A	1"	3000#	NPT

PLAN VIEW
SCALE: 1/2" = 1'-0"

- GENERAL NOTES:**
- ALL TAIL DIMENSIONS FROM REFERENCE POINT.
 - SHIPPING LENGTH: 532" (44'-4")
SHIPPING WIDTH: 261" (21'-9")
SHIPPING HEIGHT: 243" (20'-3")
 - SHIPPING WEIGHT: 129,000 (W/FLUIDS)
 - OVERALL SKID DEPTH: 24"
 - NOZZLE ELEVATIONS ARE FROM CENTERLINE OF PIPE TO TOP OF BASE (REFERENCE POINT).
 - (*) DENOTES ELEVATION FROM FACE OF FLANGE TO TOP OF BASE (REFERENCE POINT).

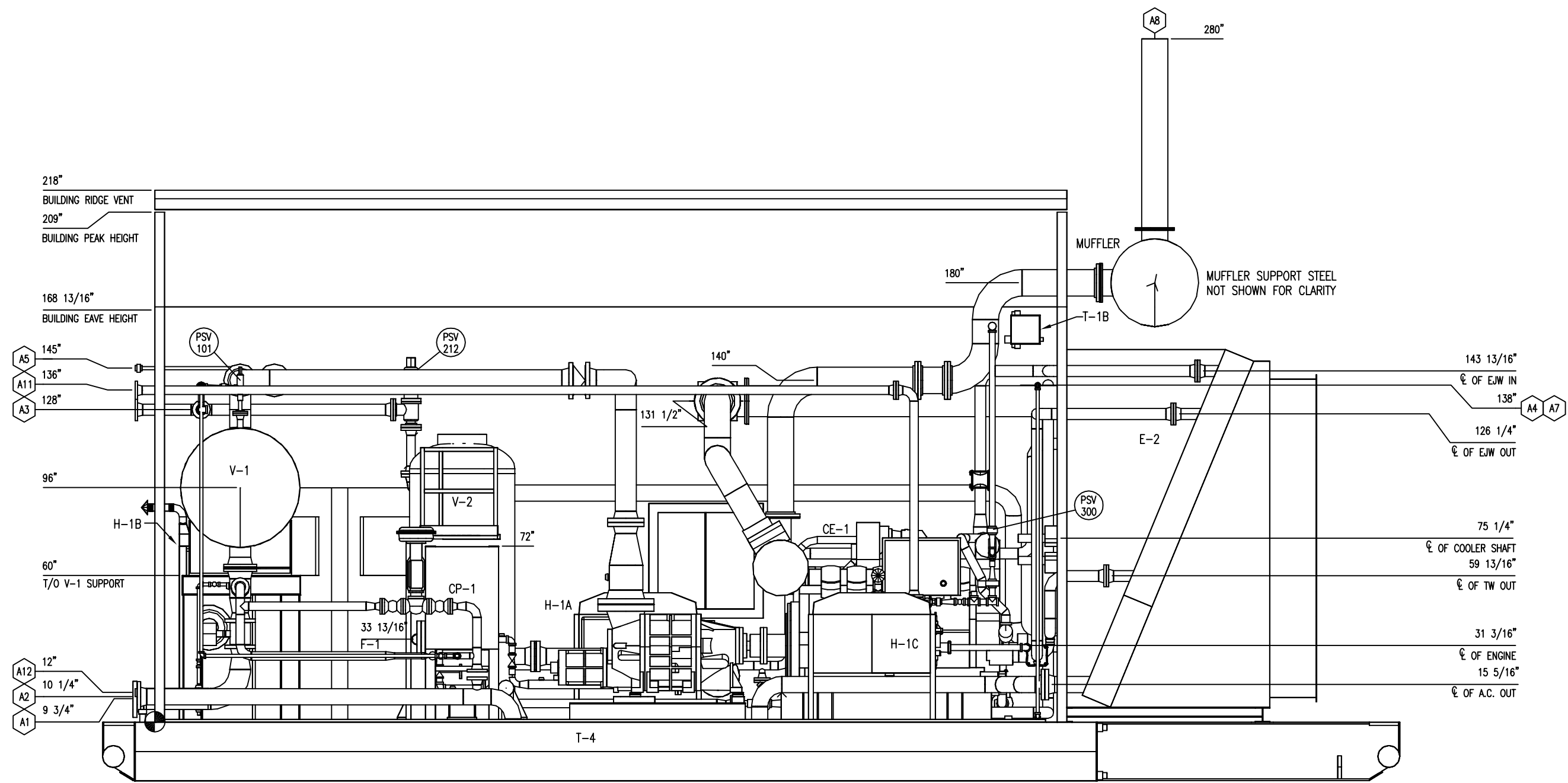
REV.	DESCRIPTION	DATE	BY	APPR.
2	AS BUILT	AUG 20/08	GH	AD
1	ISSUED FOR CONSTRUCTION	AUG 8/08	PP	GS

ENGINEER STAMP

DRAWN BY: K. WALTON	DATE: JUNE 12, 2006
CHKD. BY: G. SCHUSTER	SCALE: 1/2" = 1'-0"
APPR. BY: G. SCHUSTER	W.O. No: 12153201
CUST. PO No:	

TITLE: GENERAL ARRANGEMENT PLAN VIEW
FOR: HUSKY ENERGY INC. 860HP/3512TA - SGC3515 BOOSTER COMPRESSOR
DWG. No: 12153-201
SHEET No: 1 OF 4
REV: 2

THIS DRAWING IS THE PROPERTY OF TOROMONT ENERGY SYSTEMS. IT IS TO BE USED ONLY FOR THE PROJECT AND SITE SPECIFICALLY IDENTIFIED. IT IS NOT TO BE REPRODUCED, COPIED, OR TRANSMITTED IN ANY FORM OR BY ANY MEANS, ELECTRONIC OR MECHANICAL, INCLUDING PHOTOCOPYING, RECORDING, OR BY ANY INFORMATION STORAGE AND RETRIEVAL SYSTEM, WITHOUT THE WRITTEN PERMISSION OF TOROMONT ENERGY SYSTEMS.



ELEVATION 'A-A'

REV.	DESCRIPTION	DATE	BY	APPR.
2	AS BUILT	AUG 20/08	GH	AD
1	ISSUED FOR CONSTRUCTION	AUG 8/08	PP	GS

ENGINEER STAMP

DRAWN BY: K. WALTON CHKD. BY: G. SCHUSTER APPR. BY: G. SCHUSTER CUST. PO No:	DATE: JUNE 12, 2006 SCALE: 1/2"=1'-0" W.O. No: 12153201
--	--

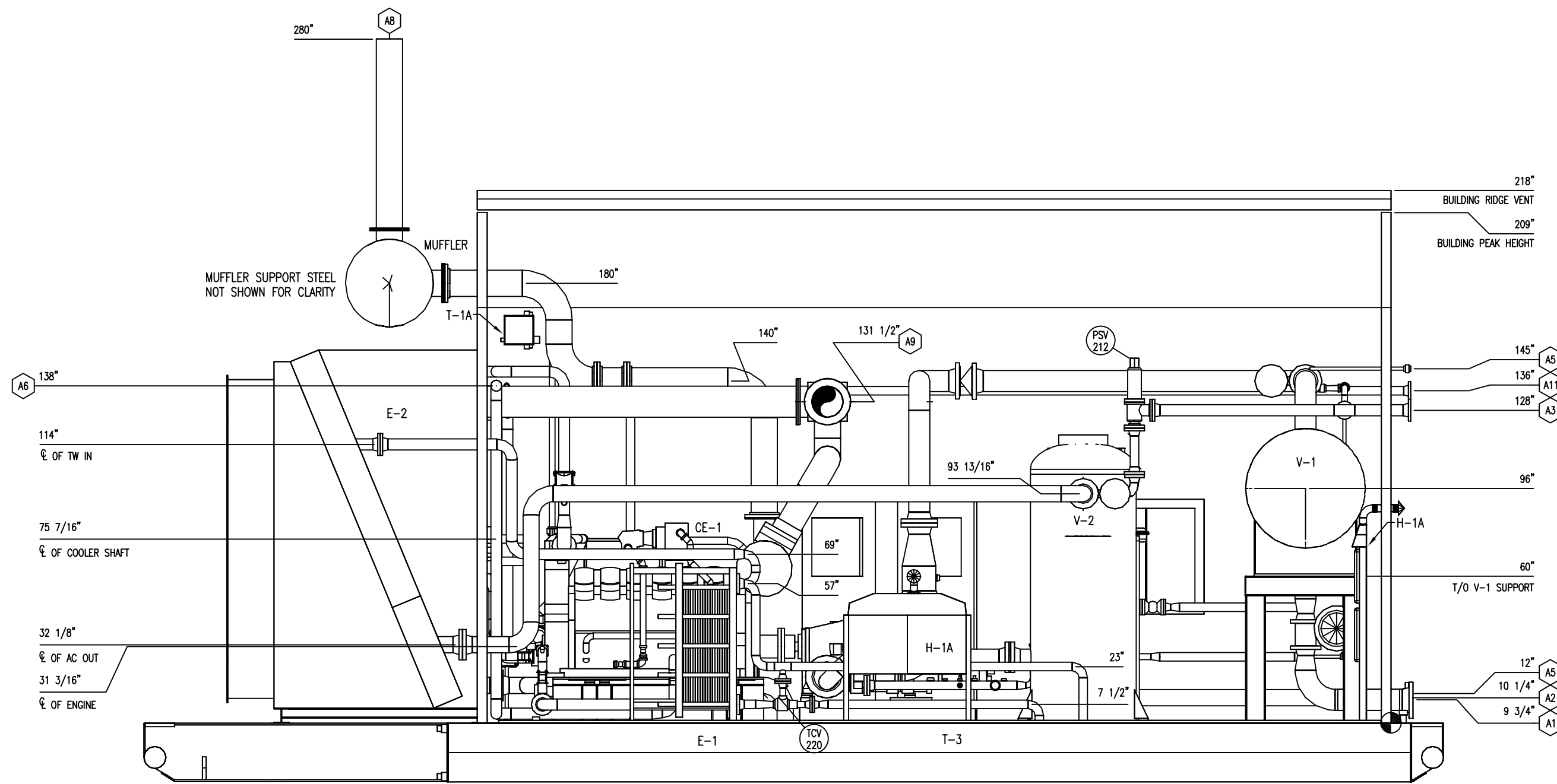
TOROMONT
ENERGY SYSTEMS

TITLE: GENERAL ARRANGEMENT
ELEVATION 'A-A'

FOR: HUSKY ENERGY INC.
860HP/3512TA - SGC3515
BOOSTER COMPRESSOR

DWG. No: 12153-201 SHEET No: 2 OF 4 REV: 2

THE INFORMATION CONTAINED HEREIN IS THE CONFIDENTIAL PROPERTY OF TOROMONT ENERGY SYSTEMS AND IS NOT FOR PUBLICATION, AND NO PART THEREOF SHALL BE COPIED OR COMMUNICATED TO A THIRD PARTY WITHOUT AUTHORIZATION FROM TOROMONT ENERGY SYSTEMS.



ELEVATION 'B-B'

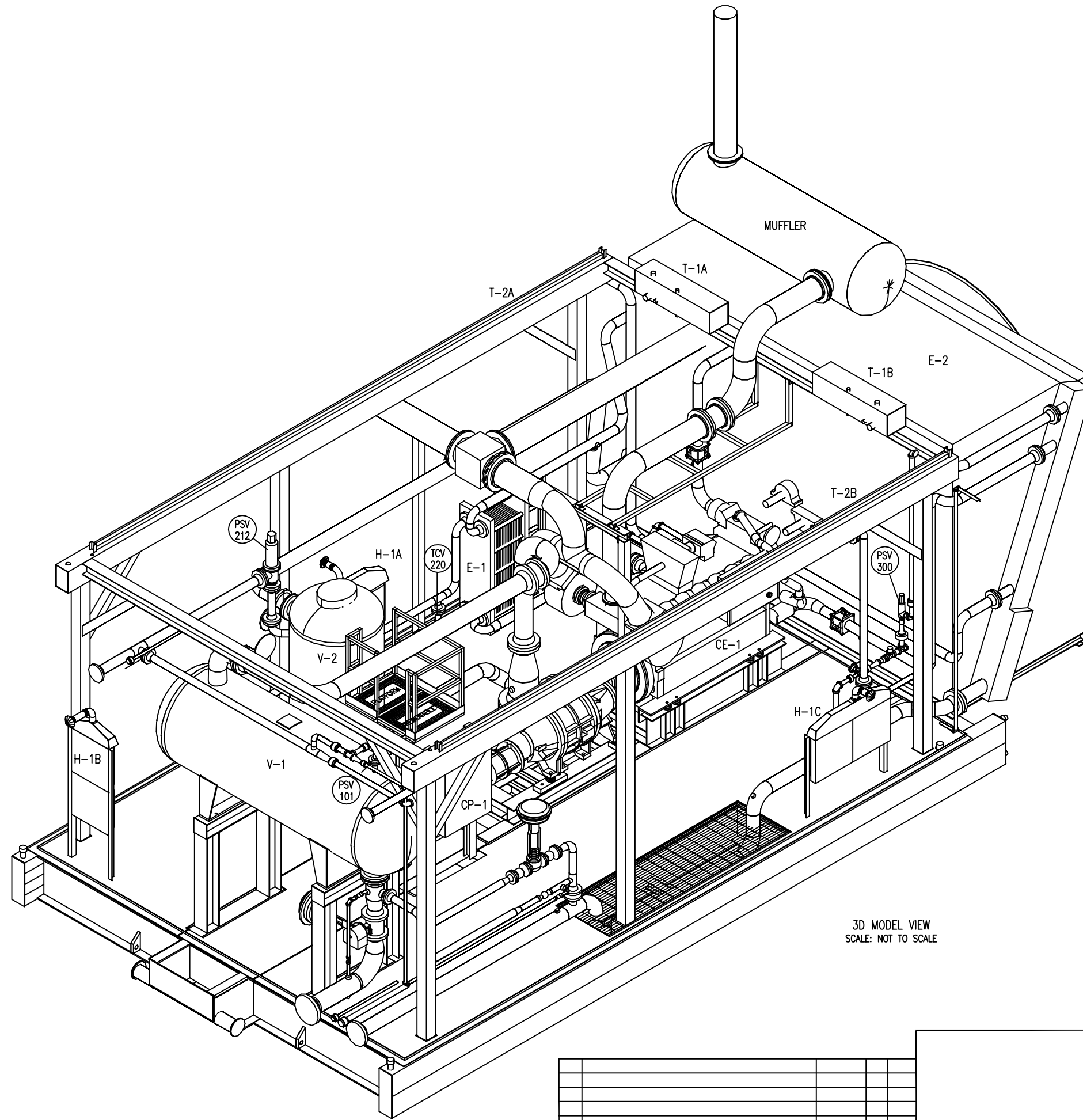
REV.	DESCRIPTION	DATE	BY	APPR.
2	AS BUILT	AUG 20/08	GH	AD
1	ISSUED FOR CONSTRUCTION	AUG 8/08	PP	GS

ENGINEER STAMP	

TOROMONT ENERGY SYSTEMS	
DRAWN BY: K. WALTON	DATE: JUNE 12, 2006
CHKD. BY: G. SCHUSTER	SCALE: 1/2" = 1'-0"
APPR. BY: G. SCHUSTER	W.O. No: 12153201
CUST. PO No:	

TITLE: GENERAL ARRANGEMENT ELEVATION 'B-B'
FOR: HUSKY ENERGY INC. 860HP/3512TA - SGC3515 BOOSTER COMPRESSOR
DWG. No: 12153-201
SHEET No: 3 OF 4
REV: 2

THE INFORMATION CONTAINED HEREIN IS THE CONFIDENTIAL PROPERTY OF TOROMONT ENERGY SYSTEMS AND IS NOT FOR PUBLICATION, AND NO PART THEREOF SHALL BE COPIED OR COMMUNICATED TO A THIRD PARTY WITHOUT AUTHORIZATION FROM TOROMONT ENERGY SYSTEMS.



3D MODEL VIEW
SCALE: NOT TO SCALE

REV.	DESCRIPTION	DATE	BY	APPR.
2	AS BUILT	AUG 20/08	GH	AD
1	ISSUED FOR CONSTRUCTION	AUG 08/08	PP	GS

ENGINEER STAMP

ENGINEER STAMP

TOROMONT
ENERGY SYSTEMS

DRAWN BY: K. WALTON
DATE: JUNE 12, 2006

CHKD. BY: G. SCHUSTER
SCALE: 1/2" = 1'-0"

APPR. BY: G. SCHUSTER
W.O. No: 12153201

CUST. PO No:

TITLE: 3D MODEL VIEW

FOR: HUSKY ENERGY INC.
860HP/3512TA - SGC3515
BOOSTER COMPRESSOR

DWG. No: 12153-201

SHEET No: 4 OF 4

REV: 2

