

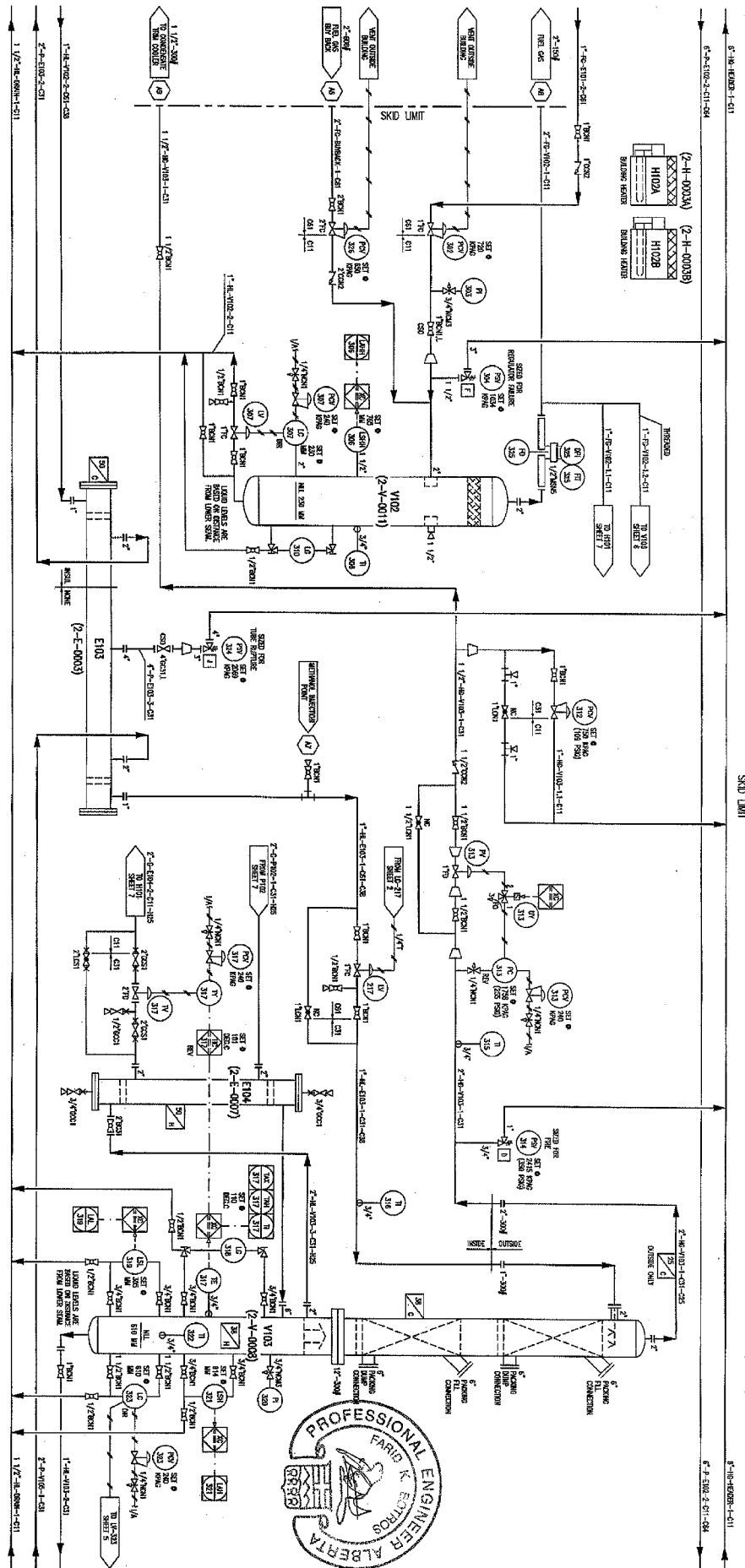
H102/B (2-H-00038/9)
BUILDING HEATERS
 MODEL: TOROKONT-102-150T
 2 / 61 / 400 W
 1 / 10 / 400 W

V102 (2-V-0011)
FLUE GAS CONDENSER
 SIZE: 200 MM DIA. 1524 MM S/S
 MANF: 1024 026 & 801602
 C.A.L.: 15 MM
 SHEET METAL: SA-106A
 DESIGN DATE: 15/04/07
 WEIGHT: 165 KGS

E103 (2-E-0003)
FORMIC ACID CONDENSER
 SIZE: 150 MM DIA. X 6000 MM V/L
 MANF: 1024 026 & 801602
 C.A.L.: 15 MM
 SHEET METAL: SA-106A
 DESIGN DATE: 15/04/07
 WEIGHT: 84 KGS

E104 (2-E-0007)
DE-EHANGER REHEATER
 SIZE: 210 MM DIA. X 1524 MM V/L
 MANF: 1024 026 & 801602
 C.A.L.: 15 MM
 SHEET METAL: SA-106A
 DESIGN DATE: 15/04/07
 WEIGHT: 61 KGS

V103 (2-V-0008)
DE-EHANGER COLUMN
 SIZE: 200 MM DIA. X 1524 MM S/S
 MANF: 1024 026 & 801602
 C.A.L.: 15 MM
 SHEET METAL: SA-106A
 DESIGN DATE: 15/04/07
 WEIGHT: 140 KGS (VESSEL 80MM)
 2000 KGS (VESSEL 100)



NEXT AVAILABLE TAG NUMBER: 277

6	AS BUILT	MAY 26/07	TM	FB
5	GENERAL REVISIONS	MAY 6/07	TM	FB
4	GENERAL REVISIONS	FEB 21/07	TM	FB
3	ADD'D CUSTOMER EQUIPMENT TAG NUMBERS	FEB 1/07	TM	FB
2	GENERAL REVISIONS	JAN 3/07	TM	FB
1	ISSUED FOR CONSTRUCTION	JAN 12/06	TM	FB

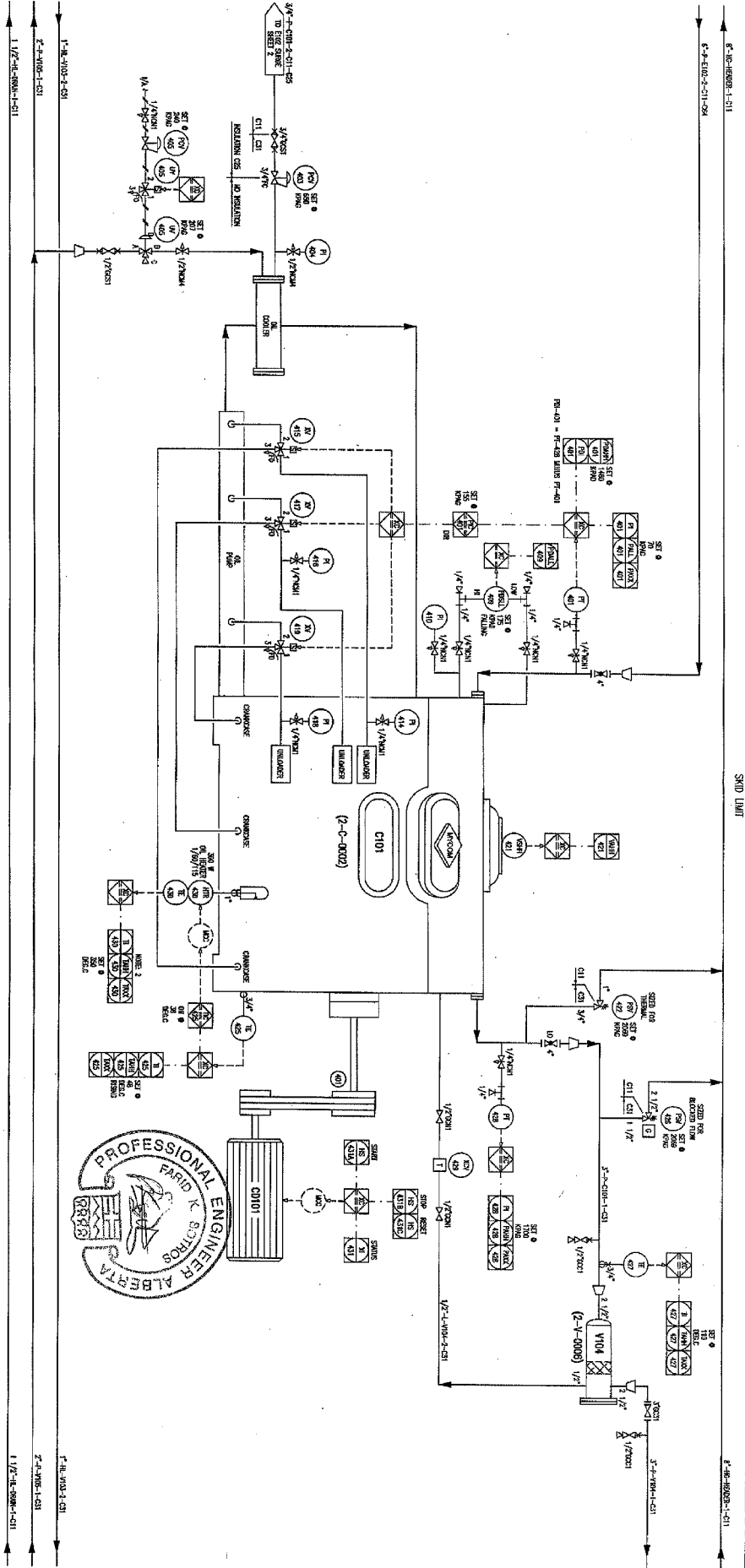
PERMIT TO PRACTICE
TOROKONT ENERGY SYSTEMS INC.
 Signature: _____
 Date: MAY 15 2007
PERMIT NUMBER: P 0654
 The Association of Professional Engineers and Geoscientists and Geophysicists of Alberta

DATE:	JUN 12 2006
DESIGNER:	INDRANI MAH
CHECKER:	F. BORDOS
SCALE:	N/A
PROJECT NO.:	12191-101
SHEET NO.:	3
TITLE:	P & I FLOW DIAGRAM
DATE:	12 TO 15 MARCH 2006
DESIGNER:	HUSRY ANSELL
CHECKER:	CSJ FLANK
PROJECT NO.:	12191-101
SHEET NO.:	6

C101 (2-C-0002)
REFRESHMENT COMPRESSOR
 MAKE: KROHNE
 MODEL: 1000
 SERIAL: 1000
 SYSTEM PRESSURE: 80 TO 225 KPSIG
 SYSTEM TEMPERATURE: -21 TO -115 F/°C
 DESIGN TEMPERATURE: 72 F/°C
 MAX. LOW FLOW: 2011 KGS/HR
 WEIGHT: 6500 LBS

C3101
COMPRESSOR DRIVER
 MAKE: SIEMENS
 MODEL: 800
 SERIAL: 1000
 DIVISION: 1000

Y104 (2-Y-0008)
SECONDARY OIL SPRINGER
 MAKE: CHROM
 MODEL: 2000
 SERIAL: 2000
 SYSTEM PRESSURE: 200 TO 225 KPSIG
 SYSTEM TEMPERATURE: 20 TO 115 F/°C
 DESIGN TEMPERATURE: 114 F/°C
 WEIGHT: 114 KGS

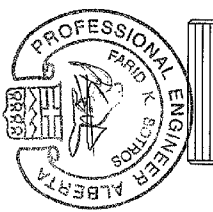


NOTE 1:
 FOR SHIPPED WITH COMPRESSOR.
 NOTE 2:
 THIS IS A SUBSYSTEM OF THE C-3101.

REVISIONS

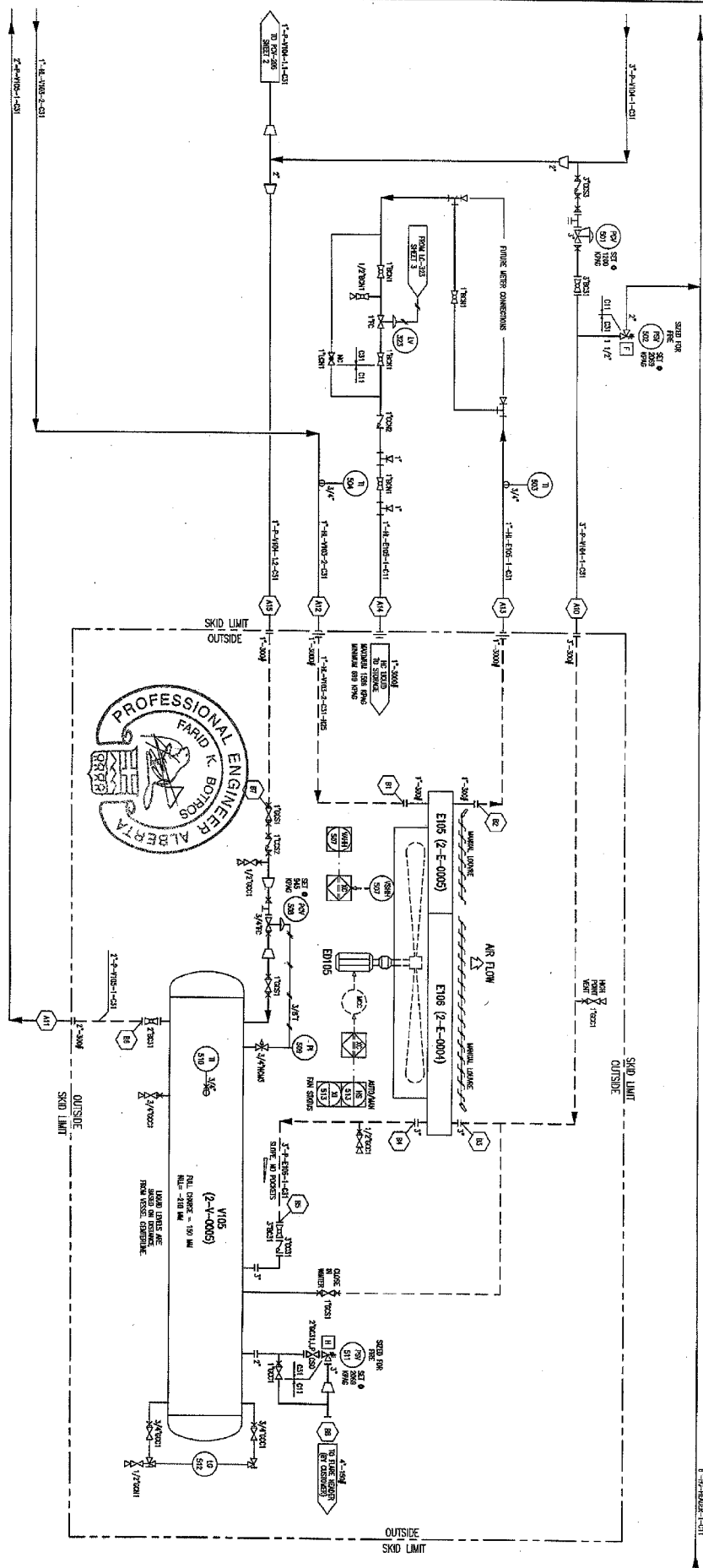
NO.	DATE	BY	DESCRIPTION
1	10/20/07	FE	ISSUED FOR CONSTRUCTION
2	10/20/07	FE	ISSUED FOR CONSTRUCTION
3	10/20/07	FE	ISSUED FOR CONSTRUCTION
4	10/20/07	FE	ISSUED FOR CONSTRUCTION
5	10/20/07	FE	ISSUED FOR CONSTRUCTION
6	10/20/07	FE	ISSUED FOR CONSTRUCTION

PERMIT TO PRACTICE
TOROMONT ENERGY SYSTEMS INC.
 Signature: [Signature]
 Date: MAY 15 2007
PERMIT NUMBER: P 8651
 The Association of Professional Engineers, Geologists and Geophysicists of Alberta



PROJECT INFORMATION

PROJECT NO.	12191-101
DATE	APR 12, 2006
CLIENT	HUSKY ANSELL
LOCATION	12 TO 15 WING RD
DESCRIPTION	GAS PLANT



E105/E106 (2-E-005/2-E-006) PRODUCT: COOLANT/RETREATMENT CONDENSER TYPE: VES MODEL: C-100-10 SERIAL: 2005 0000 I.D. LEAD PRODUCT SIDE: 2005 0000 I.D. LEAD RETREATMENT SIDE: 2005 0000 M.W.B.: 2005 0000 & 2005 0000 M.W.R.: 2005 0000 & 2005 0000 DATE: 2/14		E105 (2-E-005) REBOILER TYPE: VES MODEL: C-100-10 SERIAL: 2005 0000 I.D. LEAD PRODUCT SIDE: 2005 0000 I.D. LEAD RETREATMENT SIDE: 2005 0000 M.W.B.: 2005 0000 & 2005 0000 M.W.R.: 2005 0000 & 2005 0000 DATE: 2/14	
V105 (2-V-005) RETREATMENT RESERVE TYPE: VES MODEL: C-100-10 SERIAL: 2005 0000 I.D. LEAD PRODUCT SIDE: 2005 0000 I.D. LEAD RETREATMENT SIDE: 2005 0000 M.W.B.: 2005 0000 & 2005 0000 M.W.R.: 2005 0000 & 2005 0000 DATE: 2/14		V105 (2-V-005) RETREATMENT RESERVE TYPE: VES MODEL: C-100-10 SERIAL: 2005 0000 I.D. LEAD PRODUCT SIDE: 2005 0000 I.D. LEAD RETREATMENT SIDE: 2005 0000 M.W.B.: 2005 0000 & 2005 0000 M.W.R.: 2005 0000 & 2005 0000 DATE: 2/14	



6	AS BUILT	MAY 28/07	TB
5	GENERAL REVISIONS	MAY 6/07	TB
4	GENERAL REVISIONS	FEB 21/07	TB
3	ADDED CUSTOMER EQUIPMENT TAG NUMBERS	FEB 1/07	TB
2	GENERAL REVISIONS	JAN 3/07	TB
1	ISSUED FOR CONSTRUCTION	MAY 12/07	TB

PERMIT TO PRACTICE
TOROMONT ENERGY SYSTEMS INC.
 Signature: [Signature]
 Date: MAY 15 2007
PERMIT NUMBER: P 6854
 The Association of Professional Engineers, Geologists and Geophysicists of Alberta

DATE:	JUN 12, 2005
DRAWN BY:	THOMAS MAH
CHECKED BY:	F. BORJESSON
SCALE:	N/A
DATE:	12/15/10

TITLE:	P & I FLOW DIAGRAM
DESIGNER:	HUSKY ANSELL
DATE:	12 10 05
SCALE:	AS SHOWN
PROJECT NO.:	12191-101
SHEET NO.:	5
TOTAL SHEETS:	6

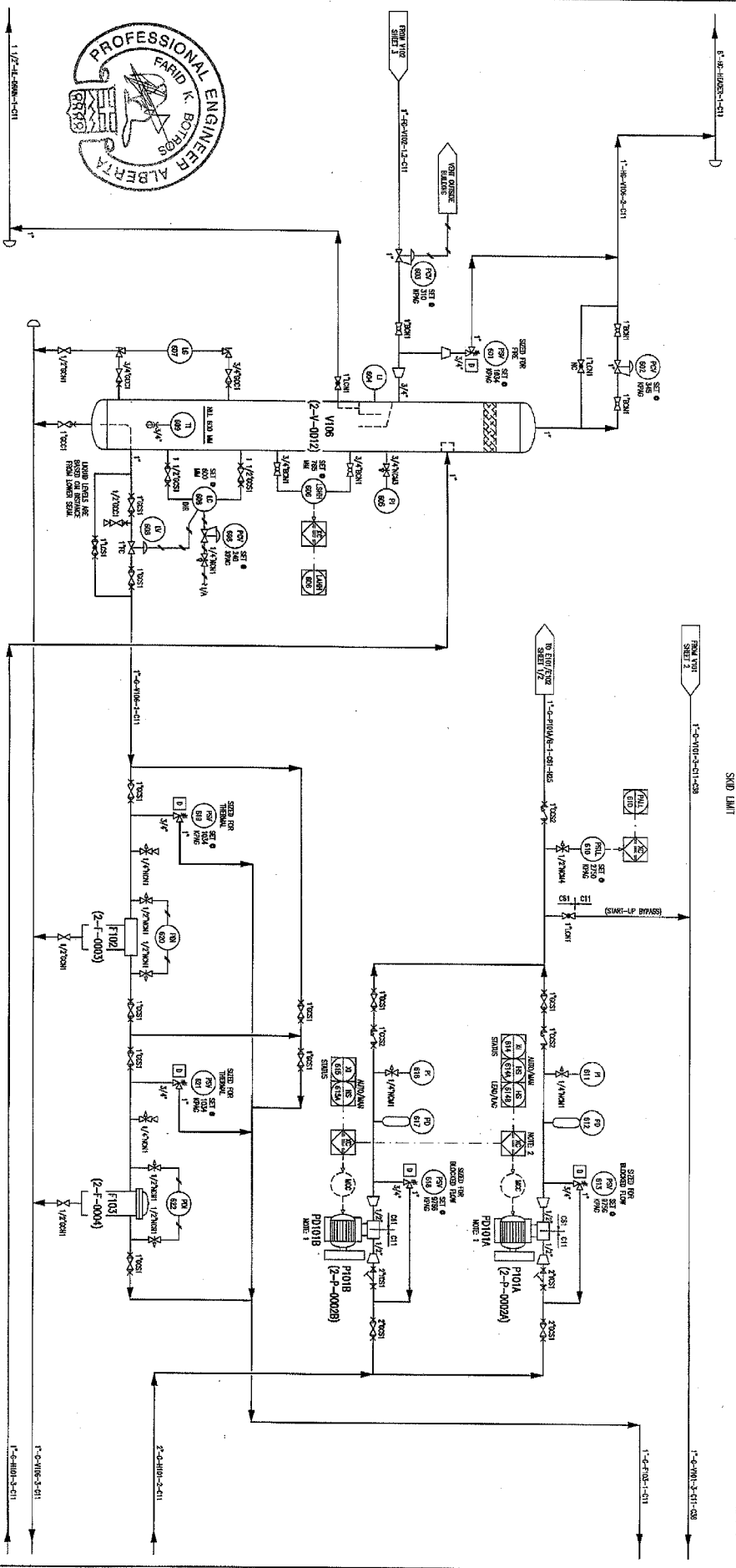


V106 (2-V-0012)
GASOL FLASH TANK
 SIZE: 324 MM DIA. X 1750 MM HGT
 WEIGHT: 2000 KGS
 MATERIAL: SA-516-55
 SHELL THICKNESS: 6.35 MM
 HEAD MATERIAL: SA-516-55
 HEAD WEIGHT: 200 KGS

F102 (2-F-0003)
GASOL FILTER
 SIZE: 1000 MM DIA. X 1216 MM HGT
 WEIGHT: 1000 KGS
 MATERIAL: SUS304
 SHELL THICKNESS: 6.35 MM
 HEAD MATERIAL: SA-516-55
 HEAD WEIGHT: 200 KGS

F103 (2-F-0004)
GASOL FILTER
 SIZE: 1000 MM DIA. X 1216 MM HGT
 WEIGHT: 1000 KGS
 MATERIAL: SUS304
 SHELL THICKNESS: 6.35 MM
 HEAD MATERIAL: SA-516-55
 HEAD WEIGHT: 200 KGS

P101A/B (2-P-0002A/B) & P101A/B
GASOL RECIPROCATING PUMPS & MOTORS
 MAKE: HERS SYSTEMS INC.
 MODEL: 1000 PUMP & 1216 MOTOR
 SIZE: 524 MM DIA. X 750 MM HGT
 WEIGHT: 1000 KGS
 MATERIAL: SA-516-55
 HEAD MATERIAL: SA-516-55
 HEAD WEIGHT: 200 KGS



- NOTE 1:**
1. ALL INSTRUMENTS SHALL BE AS SHOWN UNLESS OTHERWISE SPECIFIED.
 2. ALL INSTRUMENTS SHALL BE INSTALLED IN ACCORDANCE WITH THE INSTRUMENTATION SPECIFICATION.
 3. ALL INSTRUMENTS SHALL BE INSTALLED IN ACCORDANCE WITH THE INSTRUMENTATION SPECIFICATION.
 4. ALL INSTRUMENTS SHALL BE INSTALLED IN ACCORDANCE WITH THE INSTRUMENTATION SPECIFICATION.
 5. ALL INSTRUMENTS SHALL BE INSTALLED IN ACCORDANCE WITH THE INSTRUMENTATION SPECIFICATION.
 6. ALL INSTRUMENTS SHALL BE INSTALLED IN ACCORDANCE WITH THE INSTRUMENTATION SPECIFICATION.
 7. ALL INSTRUMENTS SHALL BE INSTALLED IN ACCORDANCE WITH THE INSTRUMENTATION SPECIFICATION.
 8. ALL INSTRUMENTS SHALL BE INSTALLED IN ACCORDANCE WITH THE INSTRUMENTATION SPECIFICATION.
 9. ALL INSTRUMENTS SHALL BE INSTALLED IN ACCORDANCE WITH THE INSTRUMENTATION SPECIFICATION.
 10. ALL INSTRUMENTS SHALL BE INSTALLED IN ACCORDANCE WITH THE INSTRUMENTATION SPECIFICATION.

NEXT AVAILABLE TAG NUMBER: 633

NO.	DESCRIPTION	DATE	BY	APPV.
1	ISSUED FOR CONSTRUCTION	MAR 20/07	TM	FB
2	REVISION	MAR 21/07	TM	FB
3	REVISION	MAR 21/07	TM	FB
4	REVISION	MAR 21/07	TM	FB
5	REVISION	MAR 21/07	TM	FB
6	REVISION	MAR 21/07	TM	FB
7	REVISION	MAR 21/07	TM	FB
8	REVISION	MAR 21/07	TM	FB
9	REVISION	MAR 21/07	TM	FB
10	REVISION	MAR 21/07	TM	FB

PERMIT TO PRACTICE
TORMONT ENERGY SYSTEMS INC.
 Signature: _____
 Date: MAY 15 2007
PERMIT NUMBER: P 8651
 The Association of Professional Engineers, Geologists and Geophysicists of Alberta

NO.	DESCRIPTION	DATE	BY	APPV.
1	ISSUED FOR CONSTRUCTION	MAR 20/07	TM	FB
2	REVISION	MAR 21/07	TM	FB
3	REVISION	MAR 21/07	TM	FB
4	REVISION	MAR 21/07	TM	FB
5	REVISION	MAR 21/07	TM	FB
6	REVISION	MAR 21/07	TM	FB
7	REVISION	MAR 21/07	TM	FB
8	REVISION	MAR 21/07	TM	FB
9	REVISION	MAR 21/07	TM	FB
10	REVISION	MAR 21/07	TM	FB

TITLE: P & I FLOW DIAGRAM
DESIGNER: H. SKRY ANSELL
DATE: 12 TO 15 MARCH 2007
PROJECT: GAS PLANT
DWG. NO.: 12191-101
SHEET NO.: 6
TOTAL SHEETS: 6

P102 (2-P-0001) & P102

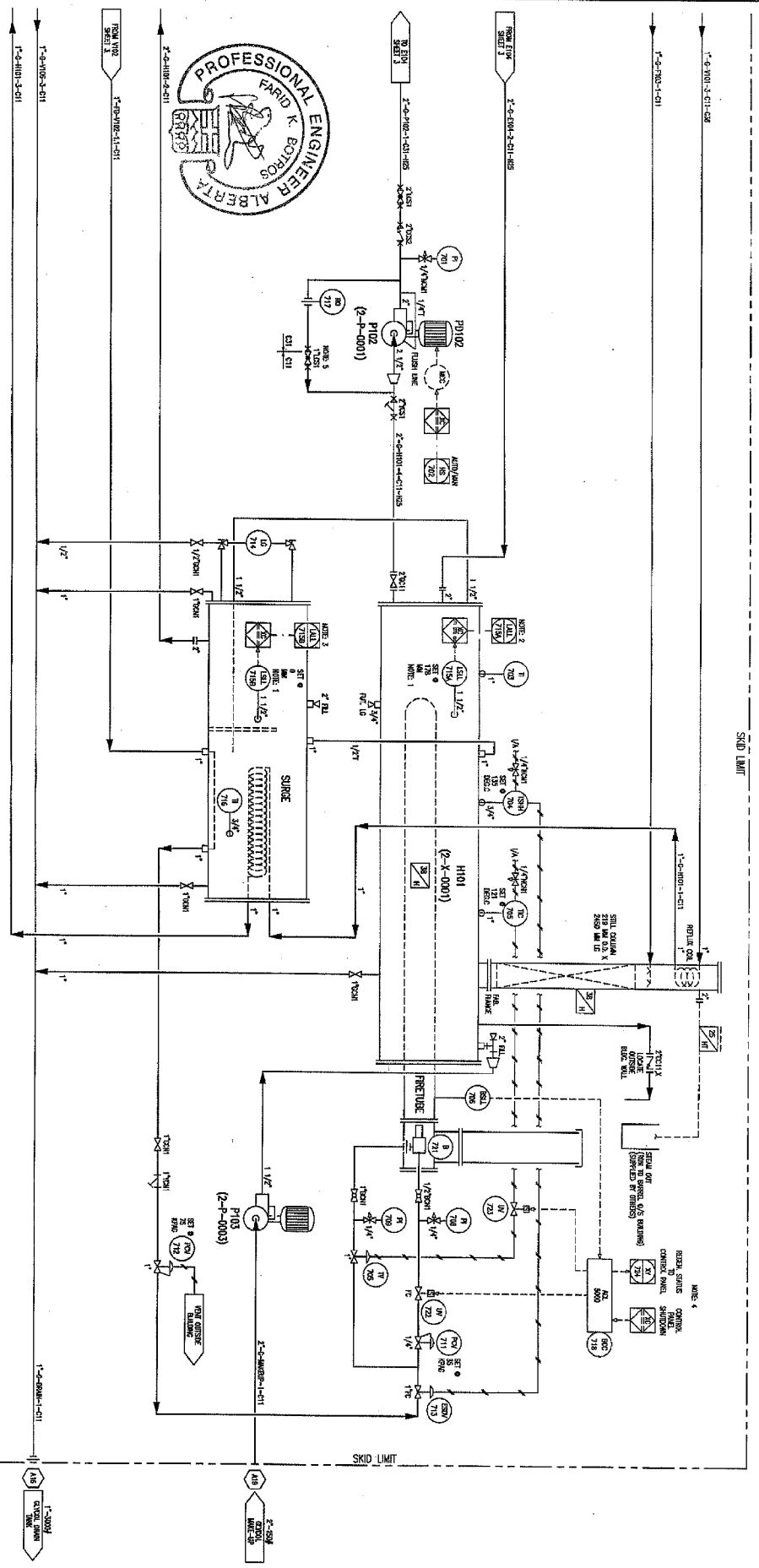
CLIENT: FURBER & MOORE
WORK OWNER:
MODEL: 2003 1/2" x 2" x 1"
DATE: 12/05/07
PROJECT: 12-10-15 WASCORO GAS PLANT
SCALE: 1/8" = 1'-0"
DATE: 3/07/07
SCALE: 1/8" = 1'-0"
DATE: 12/05/07

H101 (2-X-0001)

CLIENT: TORMONT ENERGY SYSTEMS INC.
WORK OWNER:
MODEL: 2003 1/2" x 2" x 1"
DATE: 12/05/07
PROJECT: 12-10-15 WASCORO GAS PLANT
SCALE: 1/8" = 1'-0"
DATE: 3/07/07
SCALE: 1/8" = 1'-0"
DATE: 12/05/07

P103 (2-P-0003)

CLIENT: TORMONT ENERGY SYSTEMS INC.
WORK OWNER:
MODEL: 2003 1/2" x 2" x 1"
DATE: 12/05/07
PROJECT: 12-10-15 WASCORO GAS PLANT
SCALE: 1/8" = 1'-0"
DATE: 3/07/07
SCALE: 1/8" = 1'-0"
DATE: 12/05/07



- NOTE 1: LIQUID LEVEL FROM COVER OF SURGE
- NOTE 2: FULL-TIME SHUTDOWN FROM HMI AND PANEL
- NOTE 3: FULL-TIME SHUTDOWN FROM VLV
- NOTE 4: WHEN SHUTDOWN SIGNALS TO START AGAIN, WHEN
- NOTE 5: CHECK VALVE TO BE INSTALLED AT ALL TIMES

REV.	DESCRIPTION	DATE	BY	APPR.
1	ISSUED FOR CONSTRUCTION	12/05/07	FB	
2	GENERAL REVISIONS	JAN 3/07	FB	
3	ADDED OUTLETER EQUIPMENT TAG NUMBERS	FEB 1/07	FB	
4	GENERAL REVISIONS	FEB 21/07	FB	
5	AS BUILT	MAY 26/07	FB	

PERMIT TO PRACTICE
TORMONT ENERGY SYSTEMS INC.
 Signature: _____
 Date: MAY 15 2007
PERMIT NUMBER: P 8651
 The Association of Professional Engineers,
 Geologists and Geophysicists of Alberta

DATE	BY	APPR.

TITLE: P & I FLOW DIAGRAM
DESIGNER: HUSKY ANSELL
DATE: 12-10-15 WASCORO GAS PLANT
PROJECT: 12-10-15 WASCORO GAS PLANT
DATE: 12/19/07
SHEET NO.: 7
TOTAL SHEETS: 6

