



MANDATORY DATA PACKAGE

HUSKY OIL OPERATIONS LTD.

**PO#: 4500213527
AFE: US-24526-CG**

UNIT # RCAA-08084

JOB # I-939

NISKU HEAD OFFICE / MANUFACTURING / SERVICE

TELEPHONE: (780) 955-4292

FAX: (780) 955-4294

E-MAIL: info@pccompression.com

WEBSITE: www.pccompression.com



PACKAGE

Data Collected By: _____		Entry Date: _____		Package ID # I-939	
Equipment Class: Package		Purchase Order # 4500213527			
Equipment Description: ROTORCOMP w/ AA DRYING			Tag No. RCAA-08084		
Facility: _____					
Location: LSD _____		Sec _____	Twp _____	Rge _____	W/ _____
Cost Center: _____		Acquis Value _____		Acquis Date _____	
Equipment Status: _____			Ownership Status _____		
Manufacturer: PC COMPRESSION INC.			Year Built 2008		
Equipment Condition: _____		Model No. _____		Serial No. _____	
Construction: _____					
Skid Weight: 1800 lbs		Skid Size 4 x 6 x 6'-10" ft		(w x l x h)	
Code _____					
Common Characteristics					
Design Flow _____			Service sweet		
Compressor / Pump Packages					
Compressor Type Rotary					
Pump Type _____					
Driver _____		# Stages _____			
Inlet ANSI Rating _____ ANSI		Final Discharge ANSI Rating _____		ANSI	
Separator / Dehydrator / Treater / Line Heater / Tank Package					
Orientation: _____		Vessel Diameter _____			
ANSI Rating _____ ANSI		MAWP _____		Internally Coated _____	
Reboiler / Burner Duty _____					
Inlet / Metering & Group Test Packages					
ANSI Rating _____ ANSI		# Inlets _____			
Material Transfer Information					
Transfer Recorded By: _____			Date _____		
From LSD _____		Sec _____	Twp _____	Rge _____	W/ _____
Transfer Yard _____					
To LSD _____		Sec _____	Twp _____	Rge _____	W/ _____
Facility _____			Receiving AFE _____		
Additional Notes					

BUILDINGS AND STRUCTURES

Data Collected By:		Entry Date:		Package ID #	I-939
Equipment Class	▼	Purchase Order #	4500213527		
Equipment Description:	ROTORCOMP w/ AA DRYING			Tag No.	
Facility:					
Location:	LSD ▼	Sec ▼	Twp ▼	Rge ▼	W/ ▼
Cost Center:	Acquis Value		Acquis Date		
Equipment Status:	▼		Ownership Status	▼	
Manufacturer:	PC COMPRESSION INC.			Year Built	2008
Equipment Condition:	▼	Model No.	Serial No.		
Construction:	▼				
Skid Weight:		Skid Size	(w x l x h)		
Additional Characteristics for Buildings					
Construction Type:	FOAM PANEL				
Building Elec Class	CLASS I DIV II				
Shell:			Colour	GALVANIZED	
Humidifier	N ▼	Elevator	N ▼	Air Conditioning	N ▼
Foundation Type:	C6x8.2 / C4x5.4				
Additional Characteristics for Monorails					
Capacity:	Tons / Tonnes				
Additional Characteristics for Bridges					
Type:	▼	Capacity:	▼	Foundation	
Width:	▼	Length	▼	Deck	
Additional Characteristics for Lift Equipment					
Type:	▼	Width	▼	Length	▼
Wire/Chain Mat. Type:		Hook Type		Lift Capacity	▼
Material Transfer Information					
Transfer Recorded By:					
From	LSD ▼	Sec ▼	Twp ▼	Rge ▼	W/ ▼
Transfer Yard	Date				
To	LSD ▼	Sec ▼	Twp ▼	Rge ▼	W/ ▼
Facility	Receiving AFE				
Additional Notes					

Ensure Package ID Number is Identified on ALL Individual Equipment Item Templates



HUSKY OIL OPERATIONS LTD
JOB # I-939
UNIT # RCAA-08084
PO#: 4500213527-AFE: US-24526-CG
QPS CERTIFIED: QCC44433

COMPONENTS

INLET SEPERATOR:

V-110

MAKE: PYRAMID CORPORATION
YEAR BUILT: 2008
MAWP: 550 PSI @ 600°F
CRN NO: OH08030.23
SERIAL NO: 08-3145-0000C

SCREW COMPRESSOR:

C-210

MAKE: ROTORCOMP VERDICHTER
MODEL NO: NK60
INLET PRESS: MIN 0 PSI /MAX 1 PSI
MAWP DISCHARGE: 218 PSI @ 230°F
CAPACITY: 52 CFM
20 HP @ 8000 RPM
SERIAL NO: G.43351

SCREW DRIVE MOTOR:

D-310

MAKE: SUNFAB
MODEL NO: M-012WV-B4KU
27HP MAX CONTINUOUS
4800RPM MAX CONTINUOUS
SERIAL NO.: 328731

HYDRAULIC MANIFOLD:

HM-330

MAKE: HY POWER
MODEL NO: HM027107
SERIAL NO: 42198

C/W EY-3301 BY-PASS SOLENOID

MAKE: VICKERS
MODEL NO: SV3E-16-0-0-12DU 12 VDC

C/W EY-3302 SOFT START SOLENOID

MAKE: VICKERS
MODEL NO: SV3E-16-0-0-12DU 12 VDC

C/W RO-3302 SOFT START RESTRICTION ORIFICE

PART NO: 2993
ORIFICE SIZE: 3/32"



HUSKY OIL OPERATIONS LTD
JOB # I-939
UNIT # RCAA-08084
PO#: 4500213527-AFE: US-24526-CG
QPS CERTIFIED: QCC44433

COMPONENTS CONTINUED

OIL & GAS COOLER:

E-510

MAKE: GLOBAL HEAT TRANSFER
PART NO.: GHT-490
MAWP: 302PSI @ 350°F
CRN NO: OH7426.213
SERIAL NO.: 0704144038

HYDRAULIC FAN MOTOR:

D-320

MAKE: PARKER
MODEL NO: MGG20010 BC1A3
SERIAL NO: RD-3759

DISCHARGE SCRUBBER:

V-120

MAKE: PYRAMID CORPORATION
YEAR BUILT: 2008
MAWP: 550 PSI @ 600°F
CRN NO: OH08030.23
SERIAL NO: 08-3171-0000D

PUMP:

P-610

MAKE: SANDPIPER
MODEL NO: PCC5, GABTXNSX
MWP: 100 PSI
FLOW RATE: 0-15 gpm
SERIAL NO: 1602609

FILTERS:

F-810 / F-820

MAKE: FLAIR
MAWP: 232 PSI @ 149°F
FILTER MODEL NO: HF 90
ELEMENT MODEL NO: HFD 90
CRN NO: OH5142.51263
C/W DIFFERENTIAL PRESSURE GAUGE



HUSKY OIL OPERATIONS LTD
JOB # I-939
UNIT # RCAA-08084
PO#: 4500213527-AFE: US-24526-CG
QPS CERTIFIED: QCC44433

COMPONENTS CONTINUED

RIGHT DRYING TOWER:

V-140

MAKE: PYRAMID CORPORATION
YEAR BUILT: 2008
MAWP: 600 PSI @ 400°F
MDMT: -20°F @ 600 PSI
CORRISION ALLOWANCE: .0625"
CRN NO: OH08027.23
SERIAL NO: 08-3144-0000N
C/w ACTIVATED ALUMINA STRAINERS
MAKE: CROWN WEST
PART NO: STRAINERAA
LOT NO: CWC544862A

LEFT DRYING TOWER:

V-130

MAKE: PYRAMID CORPORATION
YEAR BUILT: 2007
MAWP: 600 PSI @ 400°F
MDMT: -20°F @ 600 PSI
CORRISION ALLOWANCE: .0625"
CRN NO: OH08027.23
SERIAL NO: 07-3002-0000R
C/w ACTIVATED ALUMINA STRAINERS
MAKE: CROWN WEST
PART NO: STRAINERAA
LOT NO: CWC544862A

HEATER:

H-410

MAKE: CATA-DYNE
MODEL NO: MKII 1224
STARTING VOLTS: 120
SERIAL NO: 350814
c/w HV-4104
EXHAUST VENT HOOD

FLOW METER:

FM-1401

MAKE: ROOTS METER
MODEL NO: 8C175
MAX PRESSURE: 174 PSI
SERIAL NO: 0820395



HUSKY OIL OPERATIONS LTD
JOB # I-939
UNIT # RCAA-08084
PO#: 4500213527-AFE: US-24526-CG
QPS CERTIFIED: QCC44433

COMPONENTS CONTINUED

PSV'S:

PSV-1101 PRESSURE SAFETY VALVE

MAKE: MERCER
MODEL NO: 91-17D51V01E1
CRN NO: OG8841.5C
SCFM: 60
SET PRESSURE: 15 PSI
SERIAL NO: 424347

PSV-2101 PRESSURE SAFETY VALVE

MAKE: MERCER
MODEL NO: 91-17D51V07E1
CRN NO: OG8841.5C
SCFM: 329
SET PRESSURE: 150 PSI
SERIAL NO: 462892

PSV-1401 PRESSURE SAFETY VALVE

MAKE: MERCER
MODEL NO: 91-17D51V06E1
CRN NO: OG8841.5C
SCFM: 188
SET PRESSURE: 80 PSI
SERIAL NO: 462422

CONTROL VALVES:

LC-1101 LEVEL CONTROLLER

MAKE: MURPHY
MODEL NO: L1200NDVO
PART NO: 15700078; P4054

PRV-1101 PRESSURE RELIEF VALVE

MAKE: FISHER
MODEL NO: 289H-42
SPRING RANGE: 4-15 PSI

LCV-1201 LEVEL CONTROL VALVE

MAKE: WATSON MCDANIEL
MODEL NO: PMD 1810-400
MAWP: 600 PSIG @ 500°F
CRN: OE3324.52



HUSKY OIL OPERATIONS LTD
JOB # I-939
UNIT # RCAA-08084
PO#: 4500213527-AFE: US-24526-CG
QPS CERTIFIED: QCC44433

COMPONENTS CONTINUED

FCV-3101 FLOW CONTROL VALVE

MAKE: PARKER
MODEL NO: N600S-11KW
MAWP: 5000 PSI
FLOW RATE: 8 GPM

BPCV-1401 BACK PRESSURE CONTROL VALVE

MAKE: KIMRAY
MODEL NO: 130 SGT BP
MAWP: 300 PSI
DESIGN PRESSURE: 300 PSI

PCV-1102 PRESSURE CONTROL VALVE

MAKE: KIMRAY
MODEL NO: 1.2 SGT OPR
MAWP: 175 PSI / SPRING RANGE 2.5 PSI

ACV-1401 AIR CONTROL VALVE

FAIL OPEN
MAKE: BURKERT
MODEL NO.: NPT ½" PMED 232 PSI
PILOT PRESSURE RANGE: 29 -145 PSI
PART NO: 454597

ACV-1301 AIR CONTROL VALVE

FAIL CLOSE
MAKE: BURKERT
MODEL NO.: NPT ½" PMED 232 PSI
PILOT PRESSURE RANGE: 39-145 PSI
PART NO: 454635

ACV-1302 / ACV-1402 AIR CONTROL VALVE FAIL CLOSE

MAKE: BURKERT
MODEL NO.: NPT ½" PMED 232 PSI
PILOT PRESSURE RANGE: 39-145 PSI
PART NO: 454635



HUSKY OIL OPERATIONS LTD
JOB # I-939
UNIT # RCAA-08084
PO#: 4500213527-AFE: US-24526-CG
QPS CERTIFIED: QCC44433

COMPONENTS CONTINUED

TCV-2101 PRESSURE OIL MIXING THERMOSTATIC VALVE

MAKE: AMOT
MODEL: 3/4CMAT18001
TEMPERATURE SET: 180°F

PCV-1301 PRESSURE CONTROL VALVE

MAKE: FISHER
MODEL: 67CFR-601SC
SPRING RANGE: 0-125 PSI
MAX SUPPLY: 250 PSI

PCV-1302 PRESSURE CONTROL VALVE

MAKE: FISHER
MODEL: 67CFR-601SC
SPRING RANGE: 0-125 PSI
MAX SUPPLY: 250 PSI

PCV-1401 PRESSURE CONTROL VALVE

MAKE: FISHER
MODEL NO: 627-496
SPRING RANGE: 5-20 PSI
½" ORIFICE

PCV-1402 PRESSURE CONTROL VALVE

MAKE: FISHER
MODEL NO: 627-499
SPRING RANGE: 70-150 PSI
½" ORIFICE

PCV-4101 PRESSURE CONTROL VALVE

MAKE: FISHER
MODEL NO: 912N-109

TCV-4101 TEMPERATURE CONTROL VALVE

MAKE: CCI THERMAL
MODEL NO: AC-TC-4000N-7



HUSKY OIL OPERATIONS LTD
JOB # I-939
UNIT # RCAA-08084
PO#: 4500213527-AFE: US-24526-CG
QPS CERTIFIED: QCC44433

COMPONENTS CONTINUED

PCV-4102 PRESSURE CONTROL VALVE

MAKE: CCI THERMAL
MODEL NO: RTZ-11-15B

ESDV-4101 100% SHUT OFF VALVE

MAKE: CCI THERMAL
MODEL NO: ASV-375
MAX. PRESSURE: ½ PSI

ELECTRICAL:

LSH-1101 LEVEL SWITCH HIGH

MAKE: KIMRAY
MODEL NO: 2200 SLS M/O
MAWP: 2000 PSI

PSL-2101 LOW SUCTION PRESSURE SWITCH

MAKE: CCS
MODEL NO: 646GE1
SET RANGE: 1.2 - 16 PSI
SET @ 0.5 PSI DECREASING
SERIAL NO.: 271381-0507-35

PSH-2101 HIGH DISCHARGE PRESSURE SWITCH

MAKE: CCS
MODEL NO: 6900GE18
SET RANGE: 30 - 375 PSIG
SET @ 145 PSI INCREASING
SERIAL NO.: 281418-0308-11

TSH-2101 HIGH DISCHARGE TEMPERATURE SWITCH

MAKE: CCS
MODEL NO: 6900TUE16
SET RANGE: 185 - 315°F
SET @ 215°F INCREASING
SERIAL NO.: 285065-1008-1

TW-2101 THERMOWELL

SIZE: 1" x ½" x 6" STEM x 3/8" BORE
MATERIAL: 316 SS



HUSKY OIL OPERATIONS LTD
JOB # I-939
UNIT # RCAA-08084
PO#: 4500213527-AFE: US-24526-CG
QPS CERTIFIED: QCC44433

COMPONENTS CONTINUED

GY-1401 SOLENOID

MAKE: ASCO
MODEL NO: EF8320G200 12V

GY-1301 / GY-1302 SOLENOID

MAKE: ASCO
MODEL NO: EF8320G200 12V

PANEL ELECTRICAL:

DRYER SWITCHING PANEL

MAKE: PYRAMID CORPORATION
CAT NO: ANNUNCIATOR PANEL
QPS CERTIFIED: QCC-44107
12 VDC / 6 AMPS
Mounted in
INDUSTRIAL CONTROL PANEL
ENCLOSURE
MAKE: HOFFMAN
CAT NO: CSD12126W
c/w PROGRAMMABLE LOGIC CONTROL
MAKE: EATON
CAT NO.: EZ719-DA-RC

HS-9101 HAND SWITCH

MAKE: ALLEN-BRADLEY
MODEL: 800T-H2, 800T-XD1P

RB-9101 RESET BUTTON

MAKE: ALLEN-BRADLEY
MODEL: 800T-XD1P

PRESSURE GAUGES & TEMPERATURE INDICATORS:

PI-1101 PRESSURE INDICATOR

MAKE: WIKA SS LF
SCALE: 0-30 PSI / 0-205 KPA
SIZE: 1/4" LM X 2 1/2" FACE

PI-1102 PRESSURE INDICATOR

MAKE: WIKA
SCALE: -30" HG TO 15 PSI
SIZE: 1/4" LM X 1 1/2" FACE



HUSKY OIL OPERATIONS LTD
JOB # I-939
UNIT # RCAA-08084
PO#: 4500213527-AFE: US-24526-CG
QPS CERTIFIED: QCC44433

COMPONENTS CONTINUED

PI-2101 PRESSURE INDICATOR

MAKE: WIKA SS LF
SCALE: 0-200 PSI / 0-1350 KPA
SIZE: ¼" LM X 2 ½" FACE

PI-3101 PRESSURE INDICATOR

MAKE: WIKA SS LF
SCALE: 0-5000 PSI / 0-34000 KPA
SIZE: ¼" LM X 2 ½" FACE

PI-1301 / PI-1401 PRESSURE INDICATOR

MAKE: WIKA SS LF
SCALE: 0-200 PSI / 0-1350 KPA
SIZE: ¼" LM X 2 ½" FACE

PI-1402 PRESSURE INDICATOR

MAKE: WIKA
SCALE: 0-300 PSI
SIZE: ¼" LM X 1" FACE

PI-1403 PRESSURE INDICATOR

MAKE: WIKA SS LF
SCALE: 0-200 PSI / 0-1350 KPA
SIZE: ¼" LM X 2 ½" FACE

PI-1302 PRESSURE INDICATOR

MAKE: WIKA SS LF
SCALE: 0-160 PSI / 0-1100 KPA
SIZE: ¼" LM X 2 ½" FACE

PI-1303 PRESSURE INDICATOR

MAKE: WIKA SS LF
SCALE: 0-160 PSI / 0-1100 KPA
SIZE: ¼" LM X 2 ½" FACE

TI-2101 / TI-5101 TEMPERATURE INDICATOR

MAKE: TREND
SCALE: 50 TO 500°F / 10 TO 260°C
SIZE: ½" CBM X 3" FACE X 2 ½" STEM



HUSKY OIL OPERATIONS LTD
JOB # I-939
UNIT # RCAA-08084
PO#: 4500213527-AFE: US-24526-CG
QPS CERTIFIED: QCC44433

COMPONENTS CONTINUED

TW-2102 / TW-5101 THERMOWELL

SIZE: 1" x 1/2" x 2 1/2" STEM x STD BORE
MATERIAL: 316 SS

TI-1301 / TI-1401 TEMPERATURE INDICATOR

MAKE: TREND
SCALE: 0 TO 250°F / -20 TO 120°C
SIZE: 1/2" CBM X 3" FACE X 4" STEM

TW-3101 / TW-1401 THERMOWELL

SIZE: 1" x 1/2" x 4" STEM x STD BORE
MATERIAL: 316 SS

MISC:

SG-1101 / SG-1102 SIGHT GLASS

MAKE: LUBE DEVICES INC.
MODEL NO: LSP51-06

SG-1201 SIGHT GLASS

MAKE: LUBE DEVICES INC.
MODEL NO: LSP51-06

SG-1301 / SG-1401 SIGHT GLASS

MAKE: LUBE DEVICES INC.
MODEL NO: LSP51-06



HUSKY OIL OPERATIONS LTD
JOB # I-939
UNIT # RCAA-08084
PO#: 4500213527-AFE: US-24526-CG
QPS CERTIFIED: QCC44433

COMPONENTS CONTINUED

VALVES:

1 ½" Y STRAINER
MAKE: ALBERTA STRAINER
MODEL: 1 ½" YS800 C.S. SCRDR
HEAT CODE: 615

1 ½" FP SWING CHECK VALVE
MAKE: NEWCO
FIG.: BR-507
800-PSI WOG
HEAT CODE: BDOR / BDDO

1½" x 8 ½" FLEX HOSE
MAKE: FLEXTECH
MAWP: 488 PSI @ 70°F
CRN: OD.2887.123456
SERIAL: PC0602017

1" FP SS BALL VALVE
MAKE: MA STEWART
MODEL: G-2
2000-PSI WOG
CRN: OC0374.123456789
HEAT CODE: 0608

1" FP PISTON CHECK VALVE
MAKE: NEWCO
FIG.: BR-305
800-PSI WOG
HEAT CODE: H62 / H82

1" x 1/2" x 8 ½" FLEX HOSE
MAKE: FLEXTECH
MAWP: 750 PSI @ 70°F
CRN: OD.2887.123456
SERIAL: PC060210

¾" HYDRAULIC HOSE
MAKE: AEROQUIP
PART NO.: FC659-12 DN19
SAE 100R12
MAWP: 4000 PSI



HUSKY OIL OPERATIONS LTD
JOB # I-939
UNIT # RCAA-08084
PO#: 4500213527-AFE: US-24526-CG
QPS CERTIFIED: QCC44433

COMPONENTS CONTINUED

½" FP SS BALL VALVE
MAKE: MA STEWART
MODEL: G-2
2000-PSI WOG
CRN: OC0374.123456789
HEAT CODE: 0608

½" SWING CHECK VALVE
MAKE: NEWCO
FIG.: B-503
800-PSI WOG
HEAT CODE: BDTX / BEBL

½" PISTON CHECK VALVE
MAKE: NEWCO
FIG.: B-503
800-PSI WOG
HEAT CODE: H71 / H13

½" HYDRAULIC HOSE
MAKE: AEROQUIP
PART NO.: GH781-8
EN857/2SC/12/2005
MAWP: 4250 PSI

3/8" RP SS BALL VALVE
MAKE: W & F
MODEL: MH 27906

¼" F X F NEEDLE BALL VALVE
MAKE: ANDERSON GREENWOOD
MODEL NO: H5RDC-2
MAWP: 6000 PSI @ 200°F

¼" F X M NEEDLE BALL VALVE
MAKE: ANDERSON GREENWOOD
MODEL NO: H5RDC-22
MAWP: 6000 PSI @ 200°F



HUSKY OIL OPERATIONS LTD
JOB # I-939
UNIT # RCAA-08084
PO#: 4500213527-AFE: US-24526-CG
QPS CERTIFIED: QCC44433

COMPONENTS CONTINUED

TUBING: 1/2" X 0.035 WALL
HEAT CODE: 671-0517

3/8" X 0.035 WALL
HEAT CODE: 756-1606

1/4" X 0.035 WALL
HEAT CODE: 656-3089



HUSKY OIL OPERATIONS LTD
JOB # I-939
UNIT # RCAA-08084
PO#: 4500213527-AFE: US-24526-CG
QPS CERTIFIED: QCC44433

FITTINGS:

DESCRIPTION:	GRADE:	HEAT NO:
2" FS THRD UNION 3000	SA-105N	6EUX
2" FS THRD 90° ELL 2000	SA-105N	HRS
2" X 1/2" FS THRD RED TEE 3000	SA-105N	2620
2" X 2 1/2" XS NIPPLE	SA-106B	24590
2" X 1 1/2" XS SWAGE TBE	SA234-WPB	34025
2" FS THRD PLUG	SA-105N	2840
1 1/2" FS THRD UNION 3000	SA-105N	5EU
1 1/2" FS THRD 90° ELL 2000	SA-105N	HEL
1 1/2" FS THRD TEE 2000	SA-105N	2772
1 1/2" X 3" XS NIPPLE	SA-106B	AH81, ZV9
1 1/2" X 2 1/2" XS NIPPLE	SA-106B	9PW, AI62, 748674
1 1/2" X 2" XS NIPPLE	SA-106B	AF65
1 1/2" X 1" XS SWAGE TBE	SA234-WPB	70294
1 1/2" X 1/4" XS SWAGE TBE	SA234-WPB	2346
1" FS THRD UNION 3000	SA-105N	2749, LULB, 4HU, 2824, 2862
1" FS THRD 90° ELL 2000	SA-105N	NDCL, 4E9
1" FS THRD TEE 2000	SA-105N	DDN, HP5
1" FS THRD CROSS 2000	SA-105N	TT5
1" X 1/2" FS THRD RED TEE 3000	SA-105N	57315
1" FS THRD COUPLING 3000	SA-105N	75791
1" X 8" XS NIPPLE	SA-106B	IKO, YT4, IOC
1" X 7" XS NIPPLE	SA-106B	IKO
1" X 6 1/2" XS NIPPLE	SA-106B	AI92, I8M
1" X 6" XS NIPPLE	SA-106B	88T
1" X 5 1/2" XS NIPPLE	SA-106B	061075971
1" X 5" XS NIPPLE	SA-106B	88U
1" X 4 1/2" XS NIPPLE	SA-106B	061075971
1" X 4" XS NIPPLE	SA-106B	23651
1" X 3 1/2" XS NIPPLE	SA-106B	538697
1" X 3" XS NIPPLE	SA-106B	528697
1" X 2 1/2" XS NIPPLE	SA-106B	IKP, IKO
1" X 2" XS NIPPLE	SA-106B	I8M, 53878



HUSKY OIL OPERATIONS LTD
JOB # I-939
UNIT # RCAA-08084
PO#: 4500213527-AFE: US-24526-CG
QPS CERTIFIED: QCC44433

FITTINGS CONTINUED:

DESCRIPTION:	GRADE:	HEAT NO:
1" X 1/2" XS SWAGE TBE	SA234-WPB	71759, K1395, K1243, K1582
1" X 1/4" XS SWAGE TBE	SA234-WPB	K1582
1" X 1/4" XS BUSHING	SA-105N	4184
1" FS THRD PLUG	SA-105N	2891
3/4" FS THRD 90° ELL 2000	SA-105N	A64
3/4" FS THRD TEE 2000	SA-105N	TX2
3/4" X 5" XS NIPPLE	SA-106B	AH76
3/4" X 4" XS NIPPLE	SA-106B	162829
3/4" X 3" XS NIPPLE	SA-106B	AF63
3/4" X 2" XS NIPPLE	SA-106B	162829
3/4" X 1/2" XS SWAGE TBE	SA234-WPB	79144
1/2" FS THRD UNION 3000	SA-105N	2764, 2872
1/2" FS THRD 90° ELL 2000	SA-105N	76A
1/2" FS THRD TEE 2000	SA-105N	AB017, TU9
1/2" X 8" XS NIPPLE	SA-106B	SO9
1/2" X 7" XS NIPPLE	SA-106B	AI90
1/2" X 6" XS NIPPLE	SA-106B	4117758
1/2" X 5 1/2" XS NIPPLE	SA-106B	PWL, 55175
1/2" X 5" XS NIPPLE	SA-106B	55175, 91913, 99932, AH80
1/2" X 4 1/2" XS NIPPLE	SA-106B	55175
1/2" X 4" XS NIPPLE	SA-106B	71678
1/2" X 3 1/2" XS NIPPLE	SA-106B	163226
1/2" X 3" XS NIPPLE	SA-106B	163226
1/2" X 2 1/2" XS NIPPLE	SA-106B	AI52
1/2" X 2" XS NIPPLE	SA-106B	54094
1/2" X 1 1/2" XS NIPPLE	SA-106B	IGH, I8J, 54094
1/2" X 1/4" XS SWAGE	SA234-WPB	72475, 75988
1/2" FS THRD PLUG	SA-105N	N58
3/8" X 1 1/2" XS NIPPLE	SA-106B	Y03
3/8" X 1/4" XS SWAGE TBE	SA234-WPB	72475



HUSKY OIL OPERATIONS LTD
JOB # I-939
UNIT # RCAA-08084
PO#: 4500213527-AFE: US-24526-CG
QPS CERTIFIED: QCC44433

FITTINGS CONTINUED:

DESCRIPTION:	GRADE:	HEAT NO:
1/4" FS THRD 90° ELL 2000	SA-105N	2691
1/4" FS THRD TEE 2000	SA-105N	38414, 2646
1/4" FS THRD CROSS 2000	SA-105N	57048
1/4" X 3" XS NIPPLE	SA-106B	Q5F
1/4" X 2" XS NIPPLE	SA-106B	NYQ
1/4" X 1 1/2" XS NIPPLE	SA-106B	12389
1/4" FS THRD PLUG	SA-105N	2492

PIPE:

2" SCH 80 SMLS PIPE	SA-106B	2-DL
1 1/2" SCH 80 SMLS PIPE	SA-106B	1.5-Q
1" SCH 80 SMLS PIPE	SA-106B	1-LZ, 1-MB
1/2" SCH 80 SMLS PIPE	SA-106B	.5-R



HUSKY OIL OPERATIONS LTD
JOB # I-939
UNIT # RCAA-08084
PO#: 4500213527-AFE: US-24526-CG
QPS CERTIFIED: QCC44433

MECHANICAL INFORMATION

COMPRESSOR OIL

SUMMIT NGP-100
SYNTHETIC BLEND LUBRICANT
SUPPLIED BY CHRIS PAGE & ASSC.

COMPRESSOR COALESCING FILTER

C/w COMPRESSOR C-210
PART NO: 12476
MAWP: 250PSI @ 230°F

COMPRESSOR OIL PARTICULATE FILTER

C/w COMPRESSOR C-210
PART NO: R2979
MAWP: 250PSI @ 230°F

ROOTS METER LUBE OIL

H.V.I R&O AW ISO VG15 METER OIL
PETROLEUM HYDROCARBON
AMERICAN REFINING GROUP INC.

DRYING TOWER MEDIA

ALCOA INDUSTRIAL CHEMICALS
ACTIVATED ALUMINA (ALL GRADES) SOLID F-200
ALUMINUM OXIDE
SUPPLIED BY BRENNTAG STINNES LOGISTICS

**V-110
INLET SCRUBBER**
 Manufacturer: PYRAMID CORPORATION
 Size: 6.625" x 3'-0" S/S
 MAWP: 550psi @ 600°F
 MDMT: -20°F @ 550psi
 CRN: OH8030.23
 0.0625" C.A.
 I/C: SCRUBBER636
 S/N: 08-3145-0000-C

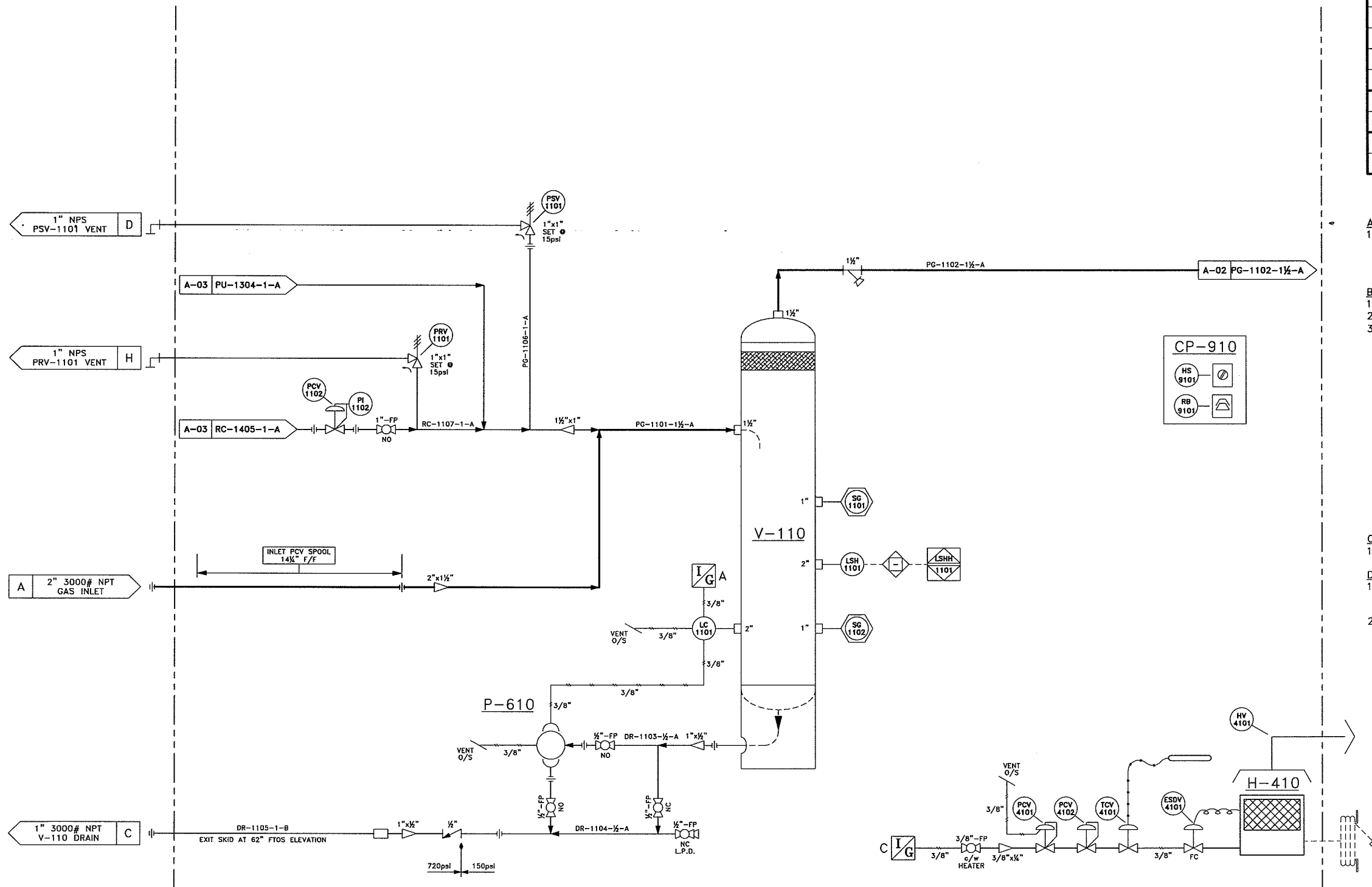
**H-410
HEATER**
 Manufacturer: CATA-DYNE
 Model: MKII 1224
 120V START
 I/C: MK1224-211111
 S/N: 350814

**P-610
LIQUID PUMP**
 Manufacturer: SANDPIPER
 Model: PCC5, GABTXNSX
 MAWP: 100psi
 Capacity: 15gpm @ 20scfm
 I/C: G05B1ABTXNSX00
 S/N: 1602609

**CP-910
CONTROL PANEL**
 Manufacturer: PYRAMID CORPORATION
 Model: ANNUNCIATOR PANEL
 QPS CERTIFIED: QCC-44107
 I/C: NK60-AA PANEL
 c/w PROGRAMMABLE LOGIC CONTROL
 Make: EATON
 Model: EZ719-DA-RC
 c/w INDUSTRIAL CONTROL PANEL ENCLOSURE
 Make: HOFFMAN
 CAT. NO.: CSD12126W

BILL of MATERIAL

ITEM CODE	ITEM TAG	DESCRIPTION
9117D51V01E1-15	PSV-1101	MERCER, 91-17D51V01E1, 1"x1" NPT, SET @ 15psi
289H-42	PRV-1101	FISHER, 1" NPT, 289H-42, S.R. 4-15psig
L1200NDVO	LC-1101	MURPHY, L1200NDVO, MAWP: 1500psi
CEC2	LSH-1101	KIMRAY, 2200 SLS M/OS, WP:2000psi
AOP-25	PCV-1102	KIMRAY, 1" NPT, 1.2 SGT-OPR, MAWP: 175psi
c/w PCV-1102	PI-1102	WIKA, 1/4" LM x 2" FACE, -30"HG to 15psig
AC-TC-4000N-7	TCV-4101	CCI THERMAL, AC-TC-4000N-7
AC-R-912	PCV-4101	FISHER 912N-109
c/w H-410	PCV-4102	CCI THERMAL, RTZ-11-15B
c/w H-410	ESDV-4101	CCI THERMAL, ASV-375, MAX PRESSURE: 1/2 PSI
AC-MKIIHVASSY-1224	HV-4101	HEATER EXHAUST VENT HOOD, AC-MKIIHVASSY-1224
c/w CP-910	HS-9101	ALLEN-BRADLEY, 800T-H2, 800T-XD1P
c/w CP-910	RB-9101	ALLEN-BRADLEY, 800T-XD1P
LSP51-06	SG-1101	LUBE DEVICES INC, LSP51-06, 1" NPT
LSP51-06	SG-1102	LUBE DEVICES INC, LSP51-06, 1" NPT



A-GENERAL NOTES:
 1. REFERENCE DRAWINGS: GA-RCAA08084-B-01 SKD-RCAA08084-D-01
 PID-RCAA08084-A-02 GA-RCAA08084-B-02 BLD-RCAA08084-F-01
 PID-RCAA08084-A-03 GA-RCAA08084-B-03 BLD-RCAA08084-F-02
 GA-RCAA08084-B-04 BLD-RCAA08084-F-02

B-DESIGN & MATERIAL NOTES:
 1. PIPING CONSTRUCTED TO ASME B31.3-2006 NORMAL SERVICE
 2. CORROSION ALLOWANCE: 0.0625" UNLESS NOTED OTHERWISE
 3. SPEC 'A' PIPING:
 DESIGN: MAWP: 150psig @ 350°F
 MDMT: -20°F @ 150psig
 LEAK TEST: 165psig @ AMBIENT TEMPERATURE w/ AIR/SOAP
 PIPE: NPT: 1/4" TO 3/8", SA-106-B, SCH.80 @ 0.055"C.A.
 NPT: 1/2" TO 2", SA-106-B, SCH.80
 FITTINGS: NPT: 1/4" TO 2", cl.2000, SA-105N

SPEC 'B' PIPING:
 DESIGN: MAWP: 720psig @ 130°F
 MDMT: -20°F @ 720psig
 LEAK TEST: 1080psig @ AMBIENT TEMPERATURE w/ HYDROTEST
 PIPE: NPT: 1", SA-106-B, SCH.80
 FITTINGS: NPT: 1", cl.2000, SA-105N
 ALL SPECS: TUBING: 1/4", 3/8" & 1/2" 316SS, .035" WALL
 TUBING FITTINGS: 1/4", 3/8" & 1/2" 316SS

C-INSULATION NOTES:
 1. SKID INSULATION: 2" FIRE RETARDANT POLYURETHANE FOAM PF-7217

D-MISCELLANEOUS NOTES:
 1. SANDBLAST: SSPC-SP6
 FINISH: ONE COAT ENAMEL
 COLOUR: WARM GREY
 2. BUILDING COLOUR: WHITE

			Drawn by: S.D.C. Date: 03-25-08 Checked by: <i>SDC</i> Approved by: <i>GBB</i>		ROTORCOMP w/ AA DRYING NK60 w/ SUNFAB M012WH-B4KU SKID MOUNTED, SWEET SERVICE	
2308-8th Street Nisku Alberta T9E 7Z2			Office: 780.955.4292 Fax: 780.955.4294 Toll Free: 866.955.4292		Company: HUSKY OIL OPERATIONS LTD	
2 AS BUILT SDC 11-24-08			1 CHANGE TO PURGE CHECK VALVE SDC 10-14-08 SDC GB		0 ISSUED FOR CONSTRUCTION SDC 08-13-08 SDC GB	
REV.	DESCRIPTION	BY	DATE	CHKD	APPD	Scale: N.T.S. Quote/Ref. No.: Q-06060 JOB NO.: I-939 Unit No.: RCAA-08084 Drawing No.: PID-RCAA08084-A-01 Rev.: 2

P:\PC Compression\Drafting\Work-Internal\939 RCAA-08084 NK-60 Husky AB\A-PID-RCAA08084 Rev 2 AB.dwg, 11/24/2008 11:06:14 AM, sdcfece, Property of PC Compression Inc. Duplication or transmittal without written consent is prohibited.

P:\PC Compression\Drafting\Work-Internal\1-939 RCAA-08084 NK-60 Husky AB\A-PID-RCAA08084 Rev 2 AB.dwg, 11/24/2008 11:06:36 AM, scoffs, Property of PC Compression Inc. Duplication or transmittal without written consent is prohibited.

C-210 COMPRESSOR
 Manufacturer: ROTORCOMP
 Model: NK60
 Min/Max Suction Pressure: 0psi/1psi
 Max Discharge Pressure: 218psi
 H.P.: 20 MAX
 I/C: NK-60
 S/N: G-43351

D-310 COMPRESSOR MOTOR
 Manufacturer: SUNFAB
 Model: M012WH-B4KU
 HP: 27 MAX CONT.
 RPM: 4800 MAX CONT.
 I/C: M012WHB4KU
 S/N: 317340

HM-330 HYDRAULIC MANIFOLD
 Manufacturer: HY POWER
 Model: HM027107
 I/C: HM027107-1
 c/w EY-3301 BY-PASS SOLENOID
 c/w EY-3302 SOFT START SOLENOID
 c/w RO-3302 SOFT START ORIFICE DISC

E-510 AIR COOLED EXCHANGER
 Manufacturer: GLOBAL HEAT TRANSFER
 Model: GHT-490
 MAWP: 302psig @ 350°F
 CRN: OH7426.213
 I/C: GHT60
 S/N: 0704144038

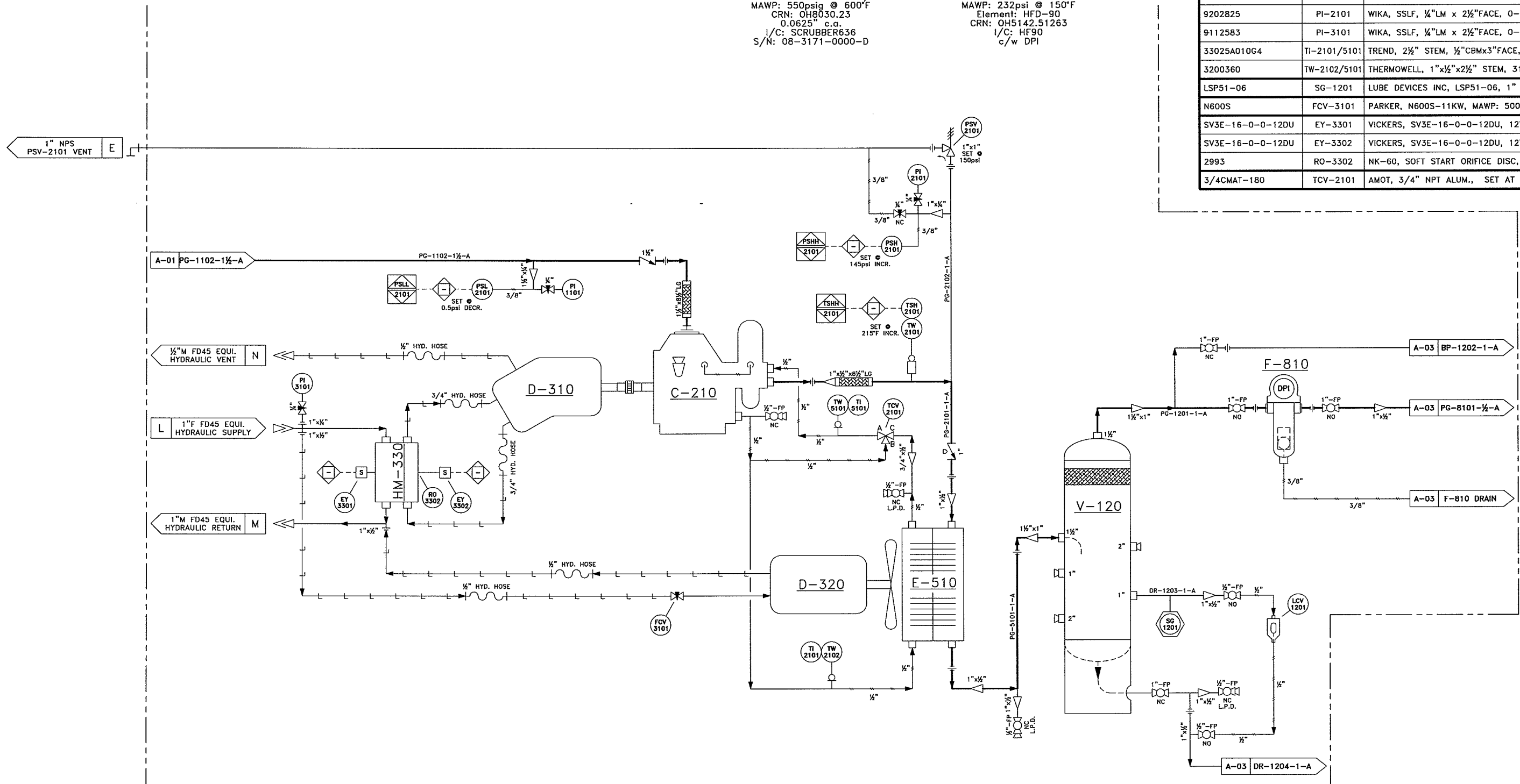
D-320 COOLER FAN MOTOR
 Manufacturer: PARKER
 Model: MGG20010 BC1A3
 I/C: MGG20010BC1A3
 S/N: RD-3759

V-120 DISCHARGE SCRUBBER
 Manufacturer: PYRAMID CORPORATION
 Size: 6.625" X 3'-0" s/s
 MAWP: 550psig @ 600°F
 CRN: OH8030.23
 0.0625" c.c.
 I/C: SCRUBBER636
 S/N: 08-3171-0000-D

F-810 FILTER
 Manufacturer: FLAIR
 Model: HF-90
 MAWP: 232psi @ 150°F
 Element: HFD-90
 CRN: OH5142.51263
 I/C: HF90
 c/w DPI

BILL of MATERIAL

ITEM CODE	ITEM TAG	DESCRIPTION
9117D51V07E1-150	PSV-2101	MERCER, 9117D51V07E1, 1"x1" NPT, SET @ 150psi
646GE1	PSL-2101	LO SUCTION PRESSURE, CCS 646GE1, S.R.: 1.2-18psi
6900GE18	PSH-2101	HI DISCHARGE PRESSURE, CCS 6900GE18, SET @ 145psi INCR.
6900TUE16	TSH-2101	HI DISCHARGE TEMPERATURE, CCS 6900TUE16, S.R.: 185-315°F
3292000	TW-2101	THERMOWELL, 1"x½"x6" STEM, 316SS
WLD1811	LCV-1201	WATSON McDANIEL, WLD-1800
8212228	PI-1101	WIKA, SSLF, ¼"LM x 2½"FACE, 0-30psi
9202825	PI-2101	WIKA, SSLF, ¼"LM x 2½"FACE, 0-200psi
9112583	PI-3101	WIKA, SSLF, ¼"LM x 2½"FACE, 0-5000psi
33025A010G4	TI-2101/5101	TREND, 2½" STEM, ½"CBMx3"FACE, 50 to 500°F
3200360	TW-2102/5101	THERMOWELL, 1"x½"x2½" STEM, 316SS
LSP51-06	SG-1201	LUBE DEVICES INC, LSP51-06, 1" NPT
N600S	FCV-3101	PARKER, N600S-11KW, MAWP: 5000#
SV3E-16-0-0-12DU	EY-3301	VICKERS, SV3E-16-0-0-12DU, 12VDC
SV3E-16-0-0-12DU	EY-3302	VICKERS, SV3E-16-0-0-12DU, 12VDC, XP SOLENOID VALVE
2993	RO-3302	NK-60, SOFT START ORIFICE DISC, 3/32"
3/4CMAT-180	TCV-2101	AMOT, 3/4" NPT ALUM., SET AT 180°F



GENERAL NOTES:
 SEE-DRAWING# PID-RCAA08084-A-01

REV.	DESCRIPTION	BY	DATE	CHKD	APPD
2	AS BUILT		SDC 11-24-08		
1	CHANGE TO PURGE CHECK VALVE		SDC 10-14-08	SDC	GB
0	ISSUED FOR CONSTRUCTION		SDC 08-13-08	SDC	GB



2308-8th Street
 Nisku Alberta
 T9E 7Z2
 Office: 780.955.4292
 Fax: 780.955.4294
 Toll Free: 866.955.4292

Drawn by: S.D.C.
 Date: 03-25-08
 Checked by: [Signature]
 Approved by: [Signature]
 Scale: N.T.S.

ROTORCOMP w/ AA DRYING
 NK60 w/ SUNFAB M012WH-B4KU
 SKID MOUNTED, SWEET SERVICE

Company: HUSKY OIL OPERATIONS LTD

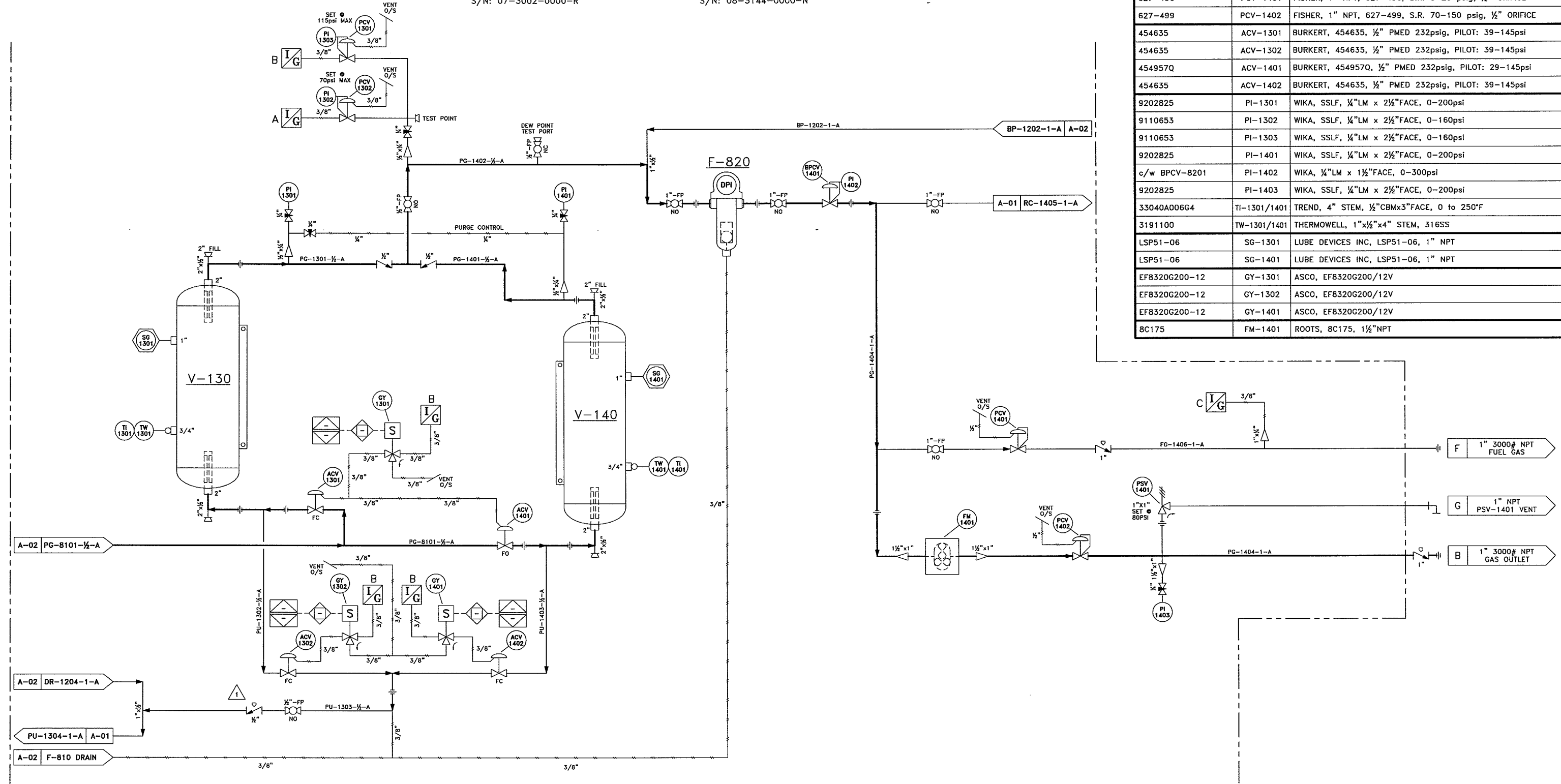
Quote/Ref. NO.: Q-06060
 JOB NO.: I-939
 Unit NO.: RCAA-08084
 Drawing NO.: PID-RCAA08084-A-02
 Rev.: 2

P:\PC Compression\Drafting\Work-Internal\939 RCAA-08084 NK-60 Husky ABVA-PID-RCAA08084 Rev 2 AB.dwg, 11/24/2008 11:06:42 AM, scottccc. Property of PC Compression Inc. Duplication or transmission without written consent is prohibited.

**V-130
DESICCANT TOWER**
 Manufacturer: PYRAMID CORPORATION
 Size: 4.55" x 3'-4" OAL
 MAWP: 600psi @ 400°F
 MDMT: -20°F @ 600psi
 CRN: OH8027.23
 0.0625" C.A.
 I/C: BULLETA440
 S/N: 07-3002-0000-R

**V-140
DESICCANT TOWER**
 Manufacturer: PYRAMID CORPORATION
 Size: 4.55" x 3'-4" OAL
 MAWP: 600psi @ 400°F
 MDMT: -20°F @ 600psi
 CRN: OH8027.23
 0.0625" C.A.
 I/C: BULLETA440
 S/N: 08-3144-0000-N

**F-820
FILTER**
 Manufacturer: FLAIR
 Model: HF-90
 MAWP: 232psi @ 150°F
 Element: HFD-90
 CRN: OH5142.51263
 I/C: HF90
 c/w DPI



BILL of MATERIAL

ITEM CODE	ITEM TAG	DESCRIPTION
9117051V06E1-80	PSV-1401	MERCER, 91-17D51V06E1, 1"x1" NPT, SET @ 80psi
67CFR601SPEC	PCV-1301	FISHER, 67CFR-601SC, 1/2" NPT, S.R. 0-125psi
67CFR601SPEC	PCV-1302	FISHER, 67CFR-601SC, 1/2" NPT, S.R. 0-125psi
AKB	BPCV-1401	KIMRAY, 1" NPT, 130 SGT BP, MAWP: 300psi, SET @ 125psi
627-496	PCV-1401	FISHER, 1" NPT, 627-496, S.R. 5-20 psig, 1/2" ORIFICE
627-499	PCV-1402	FISHER, 1" NPT, 627-499, S.R. 70-150 psig, 1/2" ORIFICE
454635	ACV-1301	BURKERT, 454635, 1/2" PMED 232psig, PILOT: 39-145psi
454635	ACV-1302	BURKERT, 454635, 1/2" PMED 232psig, PILOT: 39-145psi
454957Q	ACV-1401	BURKERT, 454957Q, 1/2" PMED 232psig, PILOT: 29-145psi
454635	ACV-1402	BURKERT, 454635, 1/2" PMED 232psig, PILOT: 39-145psi
9202825	PI-1301	WIKA, SSLF, 1/4"LM x 2 1/2"FACE, 0-200psi
9110653	PI-1302	WIKA, SSLF, 1/4"LM x 2 1/2"FACE, 0-160psi
9110653	PI-1303	WIKA, SSLF, 1/4"LM x 2 1/2"FACE, 0-160psi
9202825	PI-1401	WIKA, SSLF, 1/4"LM x 2 1/2"FACE, 0-200psi
c/w BPCV-8201	PI-1402	WIKA, 1/4"LM x 1 1/2"FACE, 0-300psi
9202825	PI-1403	WIKA, SSLF, 1/4"LM x 2 1/2"FACE, 0-200psi
33040A006G4	TI-1301/1401	TREND, 4" STEM, 1/2"CBMx3"FACE, 0 to 250°F
3191100	TW-1301/1401	THERMOWELL, 1"x1/2"x4" STEM, 316SS
LSP51-06	SG-1301	LUBE DEVICES INC, LSP51-06, 1" NPT
LSP51-06	SG-1401	LUBE DEVICES INC, LSP51-06, 1" NPT
EF8320G200-12	GY-1301	ASCO, EF8320G200/12V
EF8320G200-12	GY-1302	ASCO, EF8320G200/12V
EF8320G200-12	GY-1401	ASCO, EF8320G200/12V
BC175	FM-1401	ROOTS, 8C175, 1 1/2"NPT

GENERAL NOTES:
 SEE-DRAWING# PID-RCAA08084-A-01

REV.	DESCRIPTION	BY	DATE	CHKD	APPD
2	AS BUILT		11-24-08		
1	CHANGE TO PURGE CHECK VALVE		10-14-08	SDC	GB
0	ISSUED FOR CONSTRUCTION		08-13-08	SDC	GB



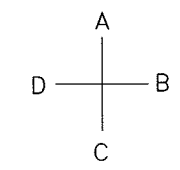
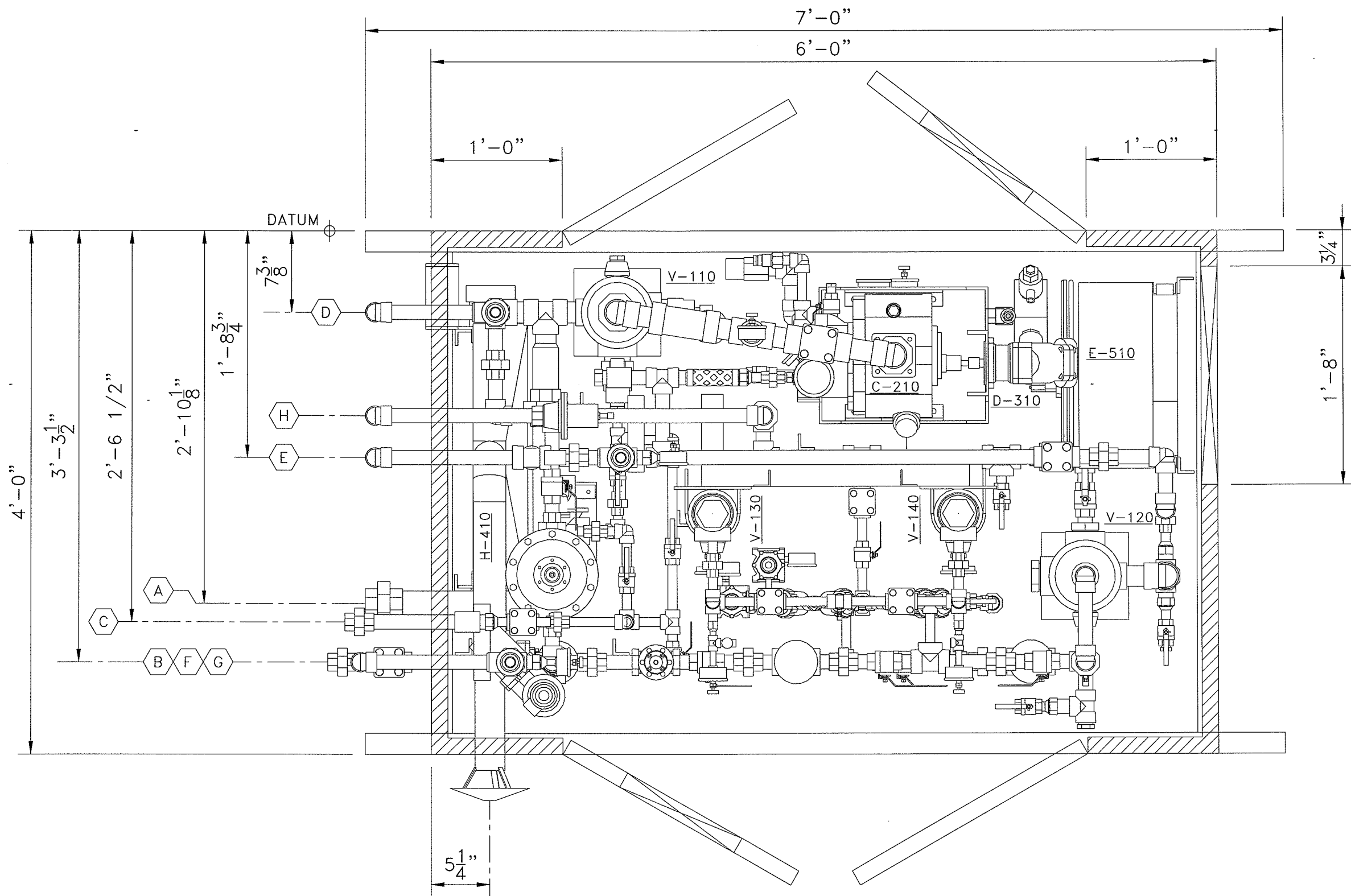
2308-8th Street
 Nisku Alberta
 T9E 7Z2
 Office: 780.955.4292
 Fax: 780.955.4294
 Toll Free: 866.955.4292

Drawn by: S.D.C.
 Date: 03-25-08
 Checked by: [Signature]
 Approved by: [Signature]
 Company: HUSKY OIL OPERATIONS LTD

ROTORCOMP w/ AA DRYING
 NK60 w/ SUNFAB M012WH-B4KU
 SKID MOUNTED, SWEET SERVICE

Quote/Ref. NO.: Q-06060
 JOB NO.: 1-939
 Unit NO.: RCAA-08084
 Drawing NO.: PID-RCAA08084-A-03
 Rev.: 2

P:\PC Compression\Drafting\Work-internal\939 RCAA-08084 NK-60 Husky AB\B-GA-RCAA08084 AB.dwg, 11/24/2008 11:08:17 AM, scottccc, Property of PC Compression Inc. Duplication or transmittal without written consent is prohibited.



CUSTOMER CONNECTIONS

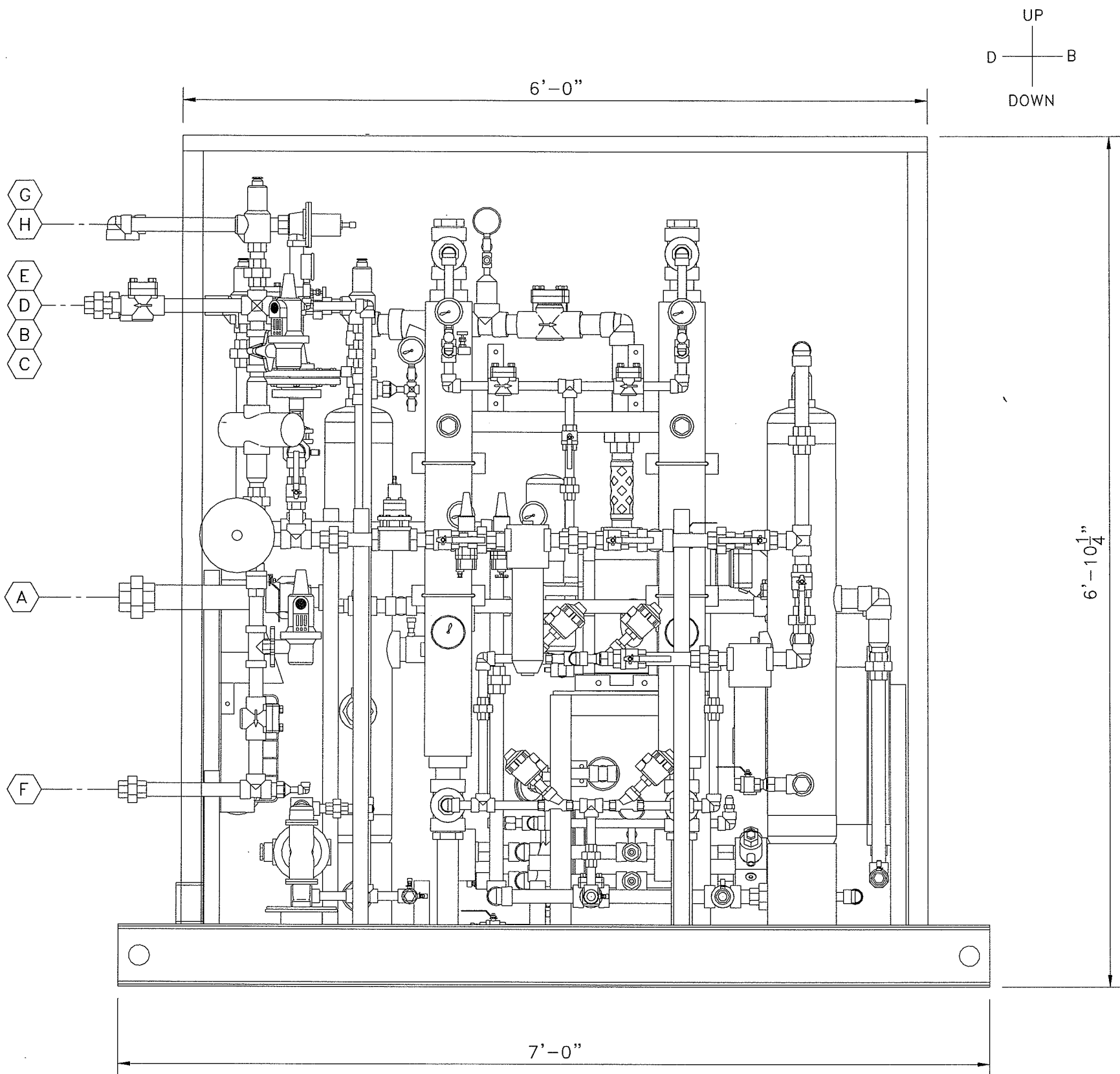
ITEM	DESCRIPTION	SIZE	ELEVATION	PROJ.
A	GAS INLET	2" 3000# NPT	2'-9 ³ / ₈ " FTOS	6"
B	GAS OUTLET	1" 3000# NPT	1'-4 ⁷ / ₈ " FTOS	6"
C	LIQUID OUTLET	1" 3000# NPT	5'-2" FTOS	6"
D	PSV-1101 VENT	1" NPT	5'-2 ³ / ₈ " FTOS	6"
E	PSV-2101 VENT	1" NPT	5'-2 ¹ / ₄ " FTOS	6"
F	FUEL GAS	1" NPT	5'-2" FTOS	6"
G	PSV-1402	1" NPT	5'-10 ¹ / ₈ " FTOS	6"
H	PRV-1101	1" NPT	5'-10 ⁵ / ₈ " FTOS	6"

CONNECTION NOTE:
 - THESE CONNECTIONS ARE PREASSEMBLY ONLY. THEY ARE TO BE USED FOR REFERENCE ONLY.
 - PLACE DISCHARGE CHECK AT 3" FROM BUILDING WALL

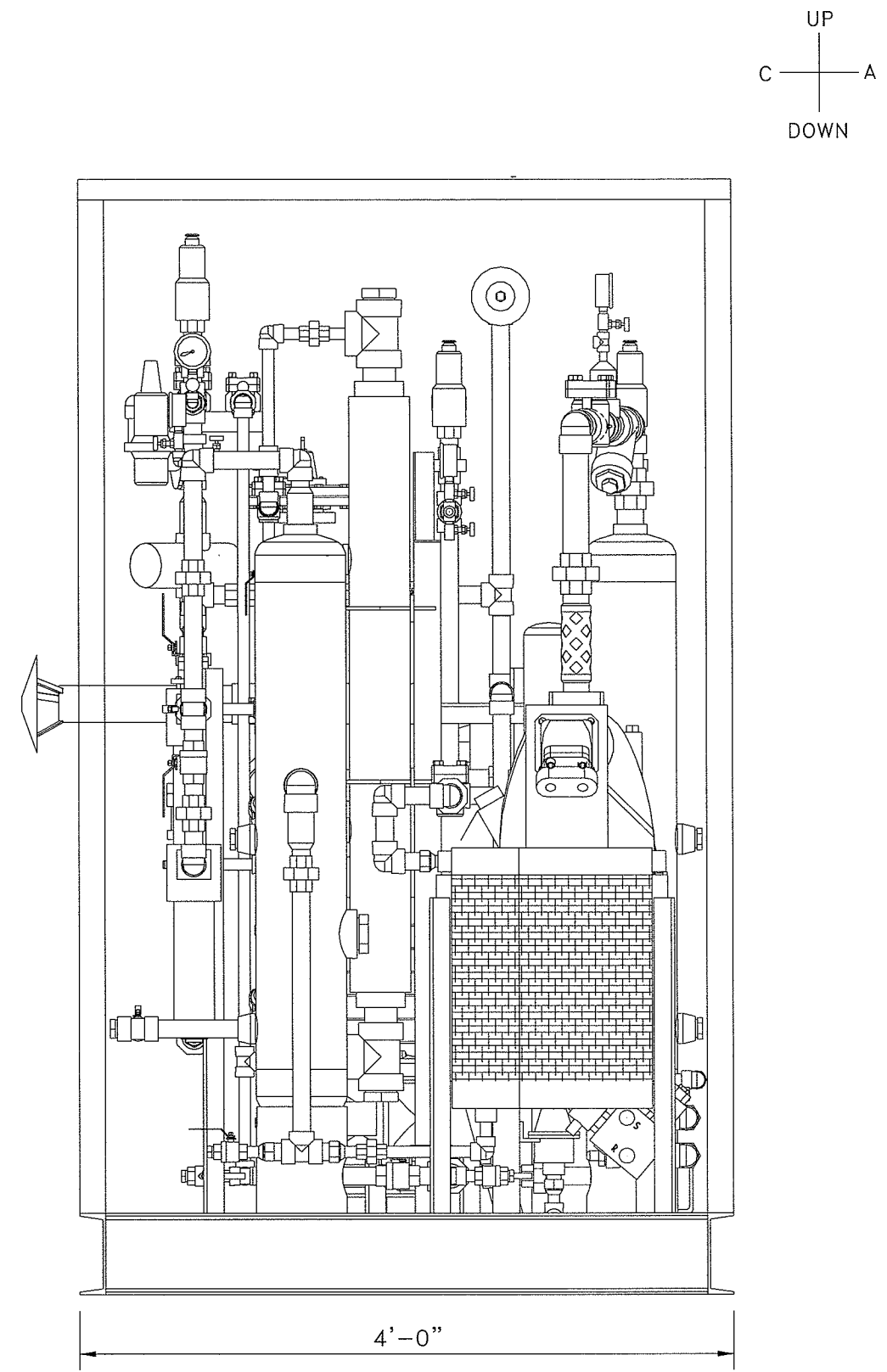
PLAN VIEW
SCALE 1:10

		Drawn by: S.D.C. Date: 08-13-08 Checked by: <i>SDC</i> Approved by: <i>GB</i>		ROTORCOMP w/ AA DRYING NK60 w/ SUNFAB M012WH-B4KU SKID MOUNTED, SWEET SERVICE	
2308-8th Street Nisku Alberta T9E 7Z2		Office: 780.955.4292 Fax: 780.955.4294 Toll Free: 866.955.4292		Company: HUSKY OIL OPERATIONS LTD	
1 AS BUILT 0 ISSUED FOR CONSTRUCTION REV. DESCRIPTION	SDC 11-24-08 SDC 08-13-08 BY DATE CHKO/APPD	Scale: 1:10	Quote/Ref. NO.: Q-06060	JOB NO.: 1-939	Unit NO.: RCAA-08084 Drawing NO.: GA-RCAA08084-B-01 Rev.: 1


P:\PC Compression\Drafting\Work-Internal\1-939 RCAA-08084 NK-60 Husky AB\B-GA-RCAA08084 AB.dwg, 11/24/2008 11:08:29 AM, scottpc, Property of PC Compression Inc. Duplication or transmittal without written consent is prohi



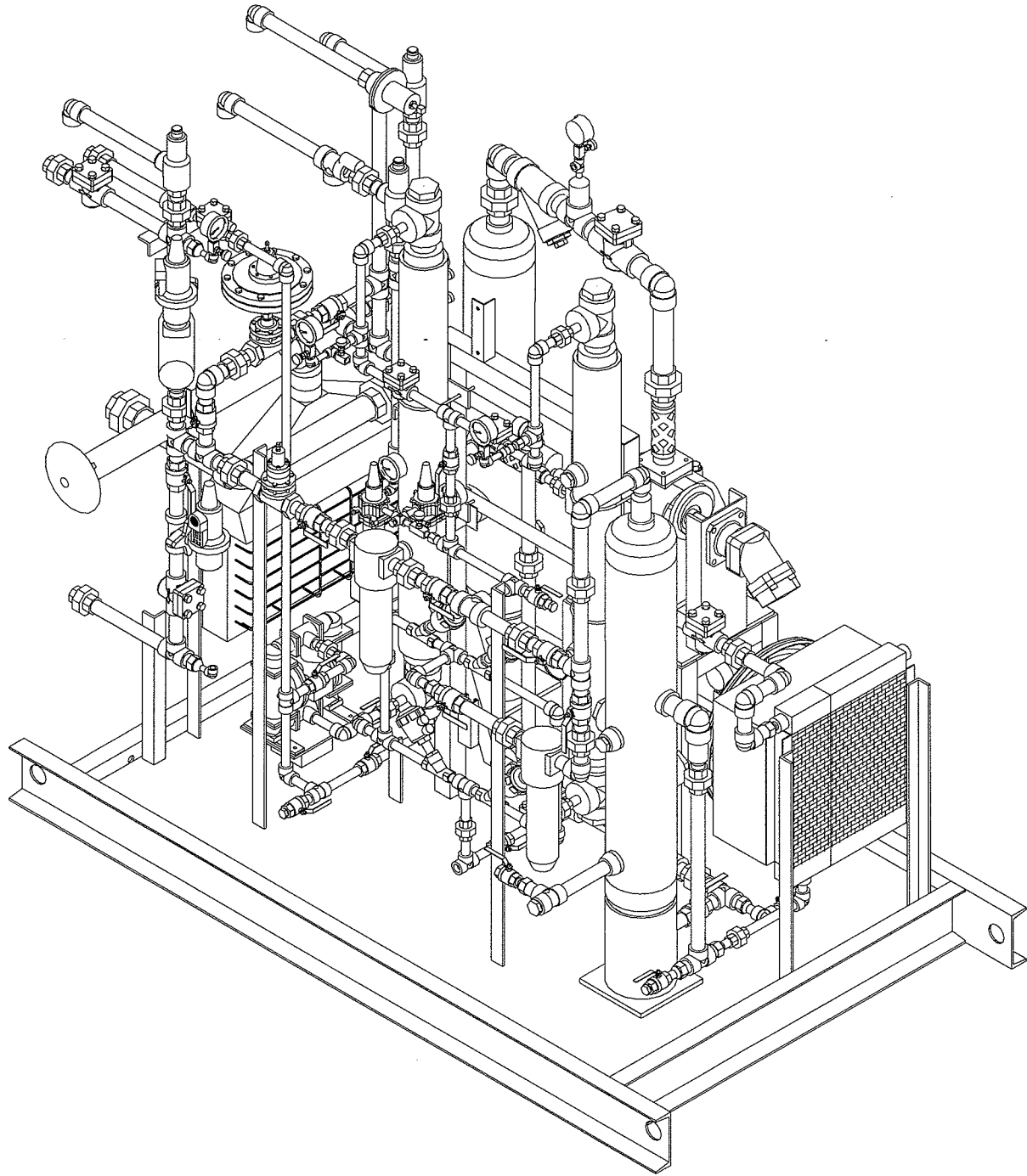
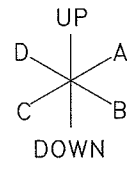
'C' ELEVATION VIEW
SCALE 1:12



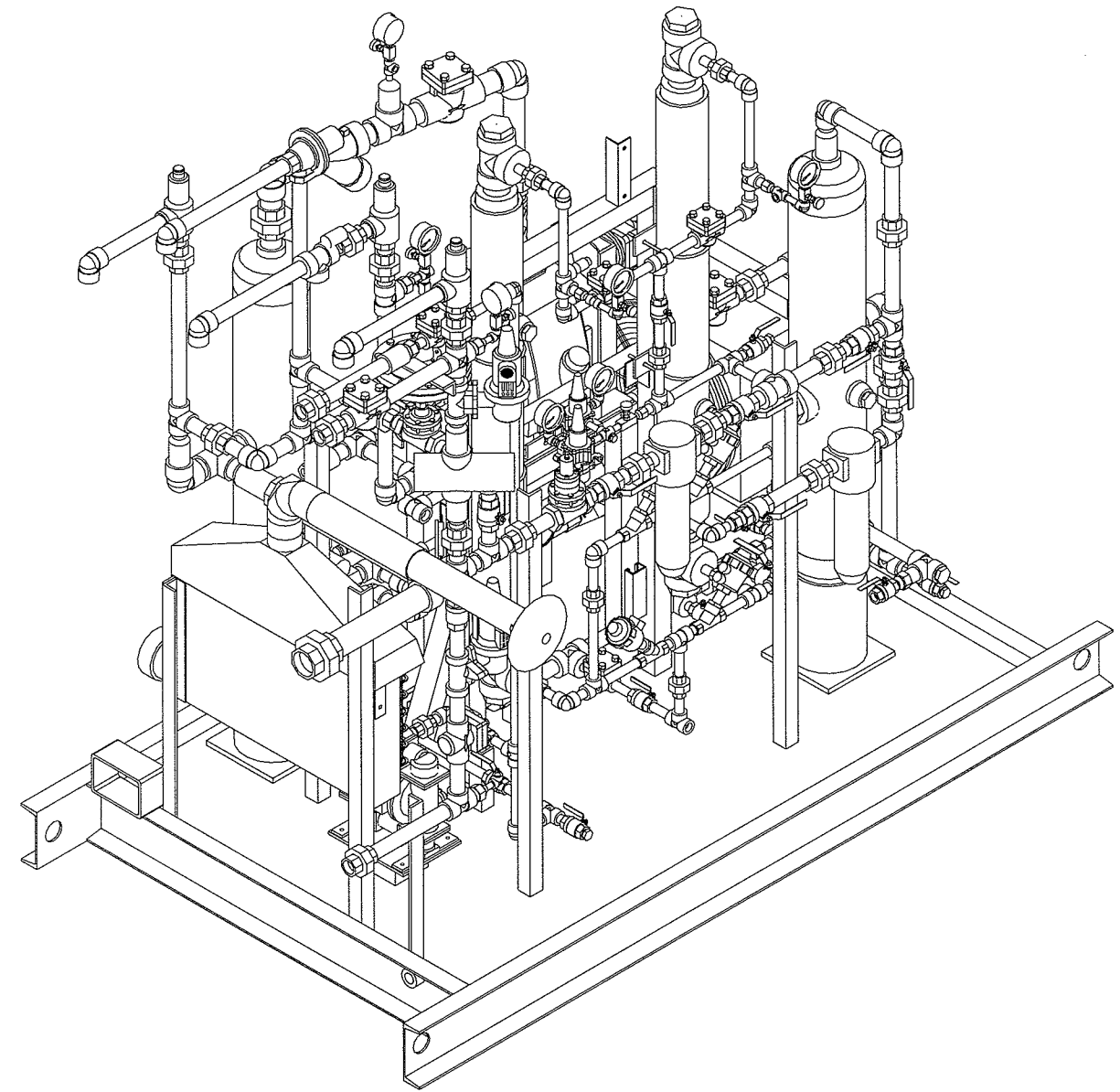
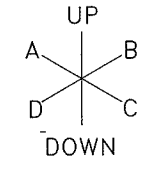
'B' ELEVATION VIEW
SCALE 1:12

		Drawn by: S.D.C. Date: 08-13-08 Checked by: <i>[Signature]</i> Approved by: <i>[Signature]</i>		ROTORCOMP w/ AA DRYING NK60 w/ SUNFAB M012WH-B4KU SKID MOUNTED, SWEET SERVICE			
2308-8th Street Nisku Alberta T9E 7Z2		Office: 780.955.4292 Fax: 780.955.4294 Toll Free: 866.955.4292		Company: HUSKY OIL OPERATIONS LTD			
1	AS BUILT	SDC	11-24-08	Quote/Ref. NO.:	JOB NO.:	Unit NO.:	Drawing NO.:
0	ISSUED FOR CONSTRUCTION	SDC	08-13-08	Q-06060	1-939	RCAA-08084	GA-RCAA08084-B-02
REV.	DESCRIPTION	BY	DATE	CHKD/APPD	Scale:	1:12	Rev.: 1

P:\PC Compression\Drafting\Work-Internal\1-939 RCAA-08084 NK-60 Husky AB\B-GA-RCAA08084 AB.dwg, 11/24/2008 11:08:43 AM, scottspc, Property of PC Compression Inc. Duplication or transmittal without written consent is prohibited.



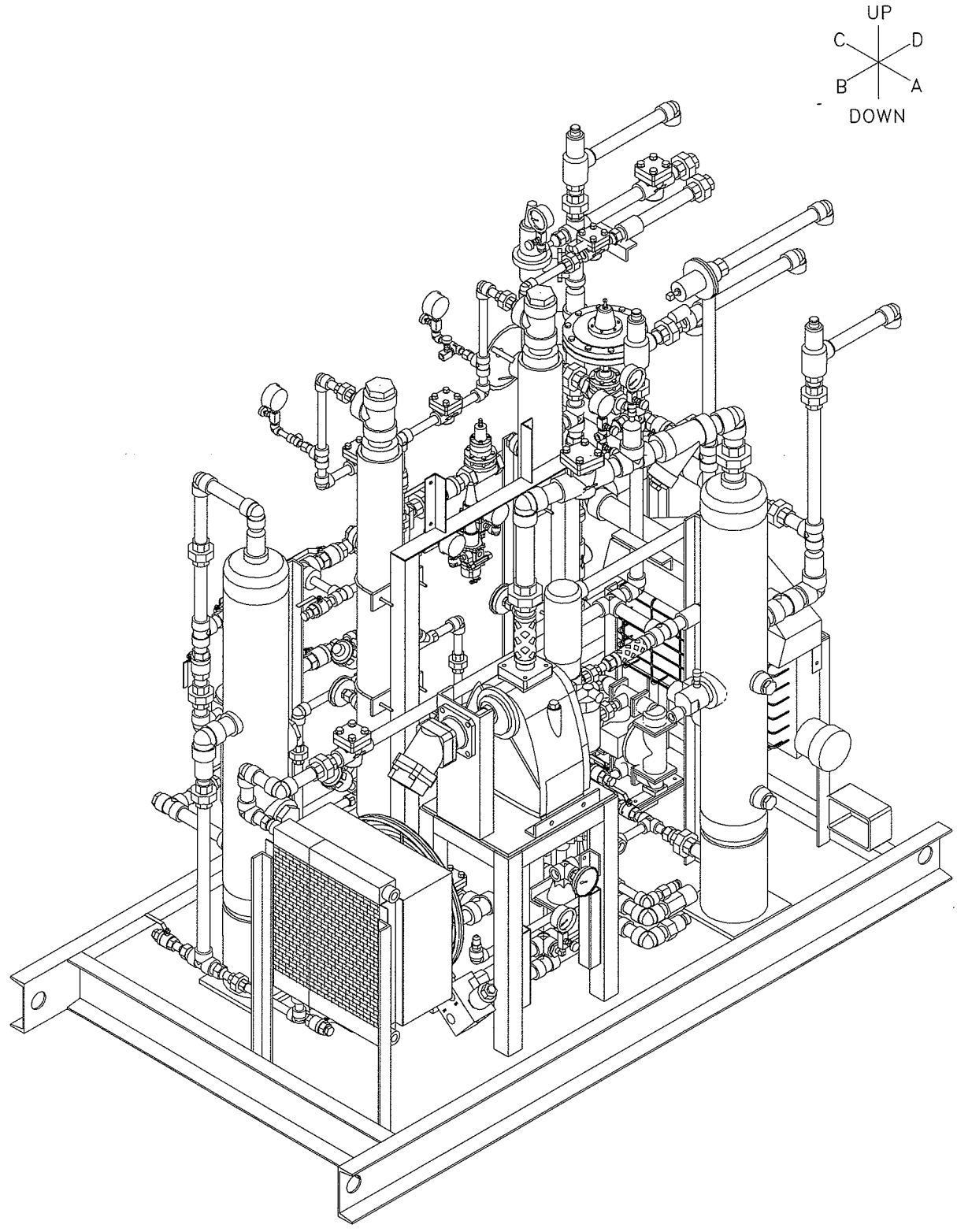
'CB' ISOMETRIC VIEW
SCALE 1:15



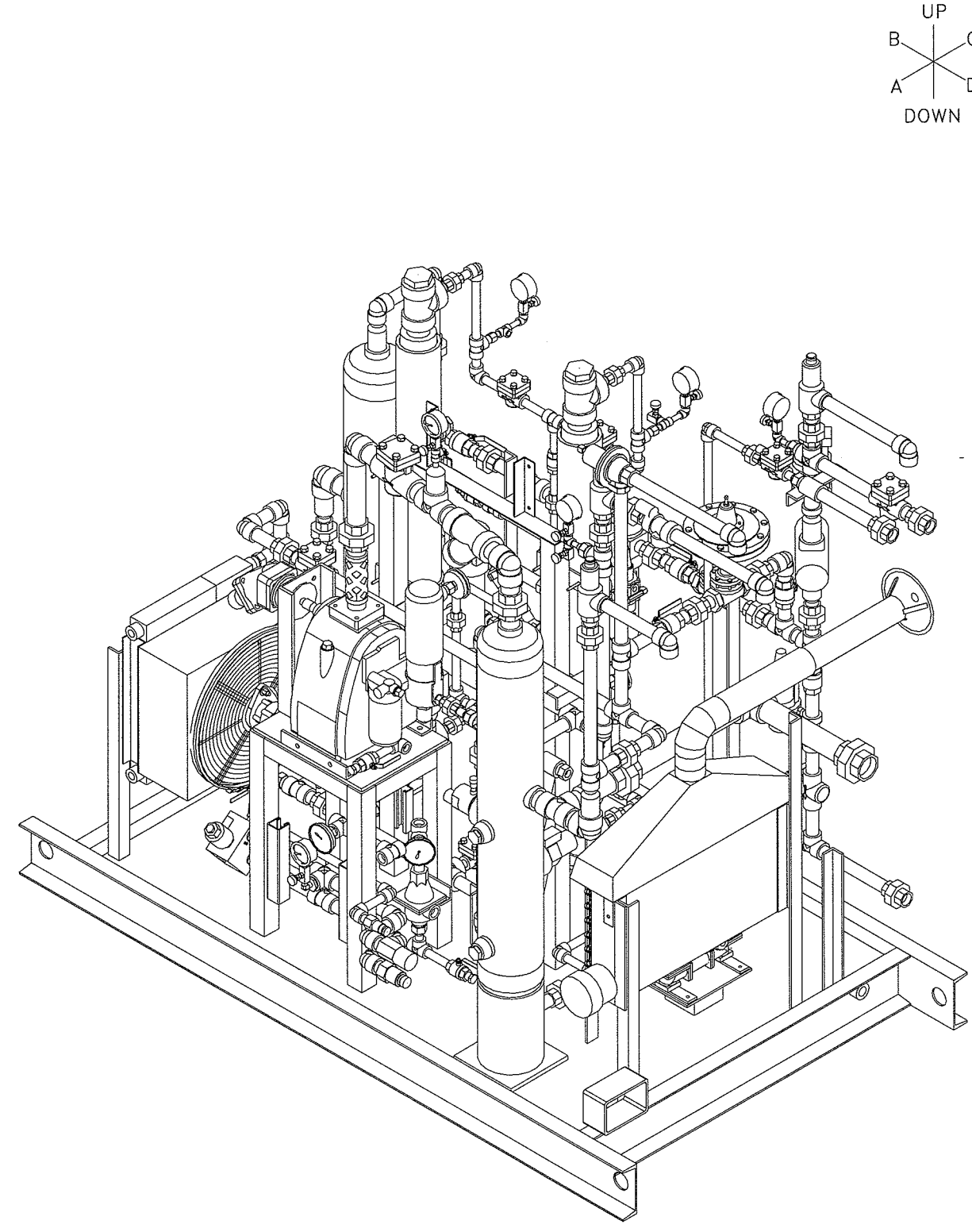
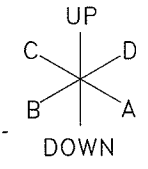
'DC' ISOMETRIC VIEW
SCALE 1:15

				Drawn by: S.D.C. Date: 08-13-08 Checked by: <i>SDC</i> <i>GAB</i> Approved by: <i>GAB</i>		ROTORCOMP w/ AA DRYING NK60 w/ SUNFAB M012WH-B4KU SKID MOUNTED, SWEET SERVICE			
2308-8th Street Nisku Alberta T9E 7Z2				Office: 780.955.4292 Fax: 780.955.4294 Toll Free: 866.955.4292		Company: HUSKY OIL OPERATIONS LTD			
1	AS BUILT	SDC	11-24-08	Quote/Ref. NO.:	JOB NO.:	Unit NO.:	Drawing NO.:	Rev.:	
0	ISSUED FOR CONSTRUCTION	SDC	08-13-08	Q-06060	I-939	RCAA-08084	GA-RCAA08084-B-03	1	
REV.:	DESCRIPTION	BY	DATE	CHKD	APPD				

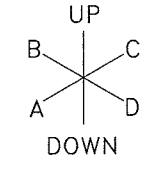
P:\PC Compression\Drafting\Work-Internal\1-939 RCAA-08084 NK-60 Husky AB\B-GA-RCA08084 AB.dwg, 11/24/2008 11:09:12 AM, scallepc, Property of PC Compression Inc. Duplication or transmission without written consent is prohibited.



'BA' ISOMETRIC VIEW
SCALE 1:15

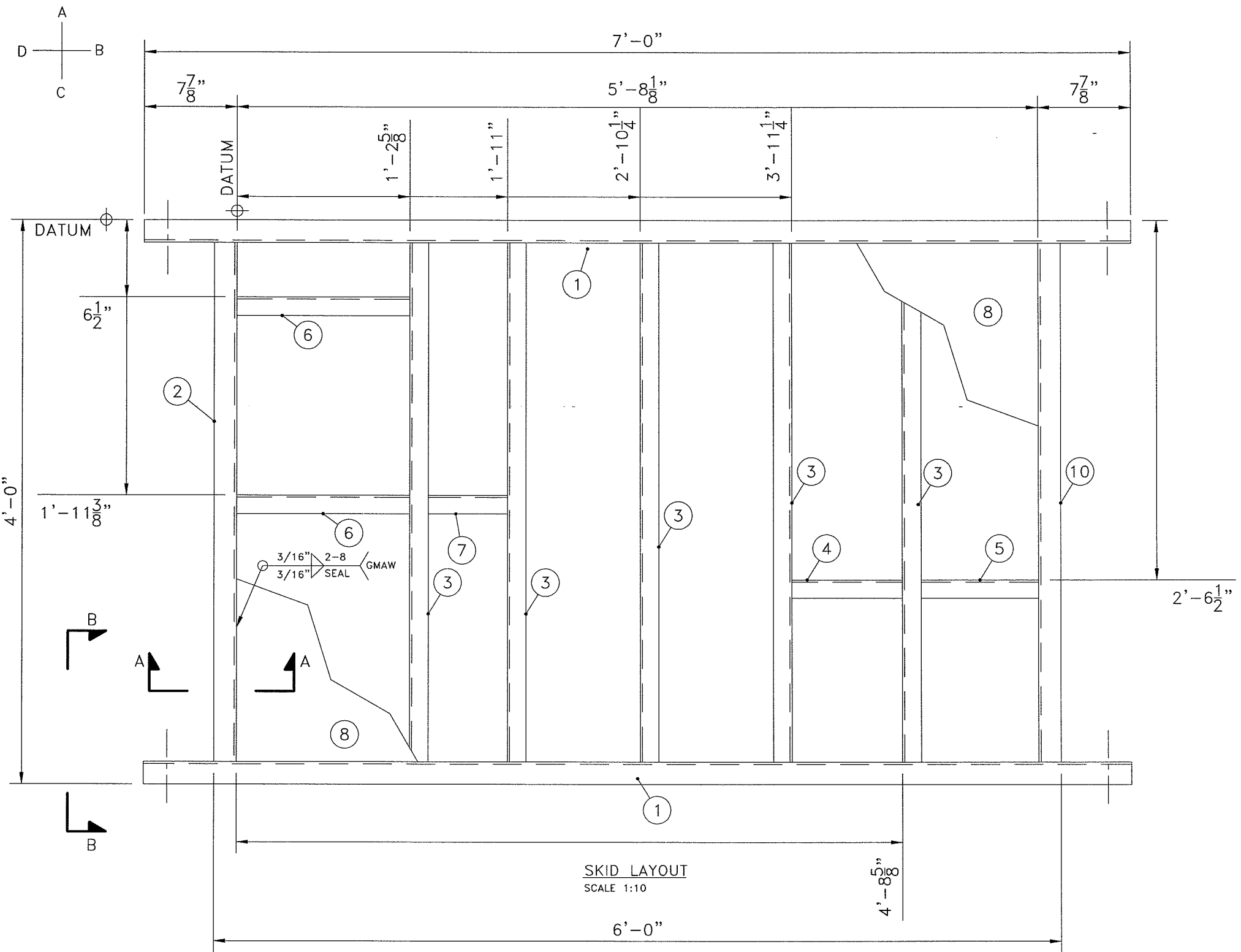


'AD' ISOMETRIC VIEW
SCALE 1:15



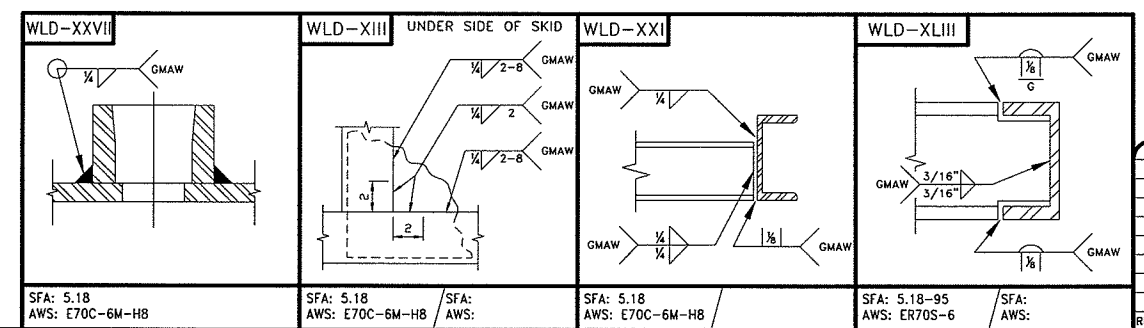
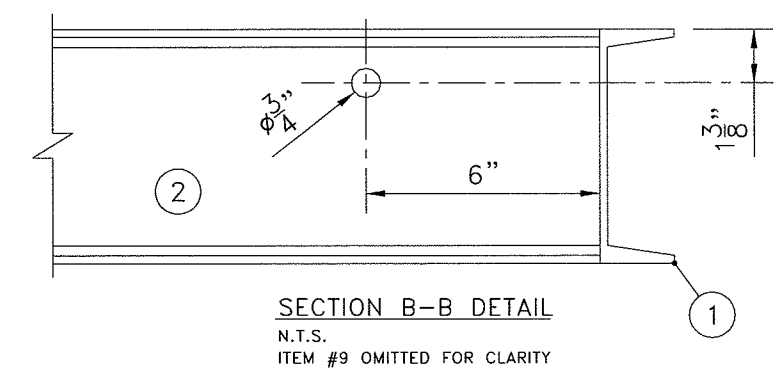
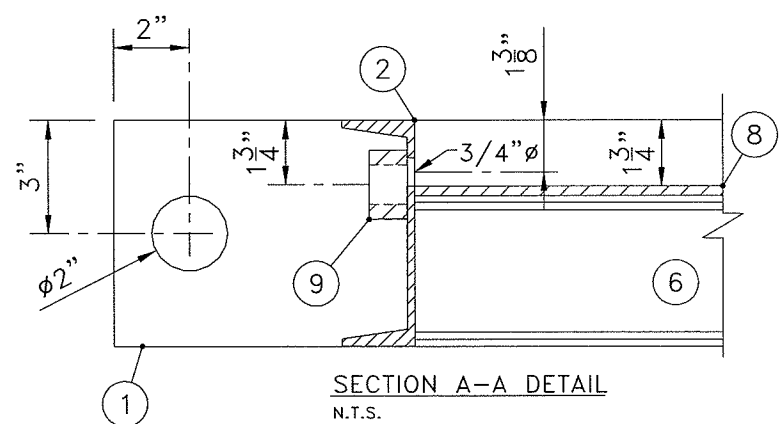
			Drawn by: S.D.C. Date: 08-13-08 Checked by: <i>[Signature]</i> Approved by: <i>[Signature]</i>		ROTORCOMP w/ AA DRYING NK60 w/ SUNFAB M012WH-B4KU SKID MOUNTED, SWEET SERVICE					
2308-8th Street Nisku Alberta T9E 7Z2			Office: 780.955.4292 Fax: 780.955.4294 Toll Free: 866.955.4292		Company: HUSKY OIL OPERATIONS LTD					
1	AS BUILT	SDC	11-24-08		Scale:	Quote/Ref. NO.:	JOB NO.:	Unit NO.:	Drawing NO.:	Rev.:
0	ISSUED FOR CONSTRUCTION	SDC	08-13-08		1:15	Q-06060	I-939	RCAA-08084	GA-RCAA08084-B-04	1
REV.	DESCRIPTION	BY	DATE	CHKD/APPD						

P:\PC Compression\Drafting\Work-Internal\1-939 RCAA-08084 NX-60 Husky AB\N-D-SKD-RCAA08084 AB.dwg, 11/24/2008 11:11:23 AM, sctolpe, Property of PC Compression Inc. Duplication or transmittal without written consent is prohibited.



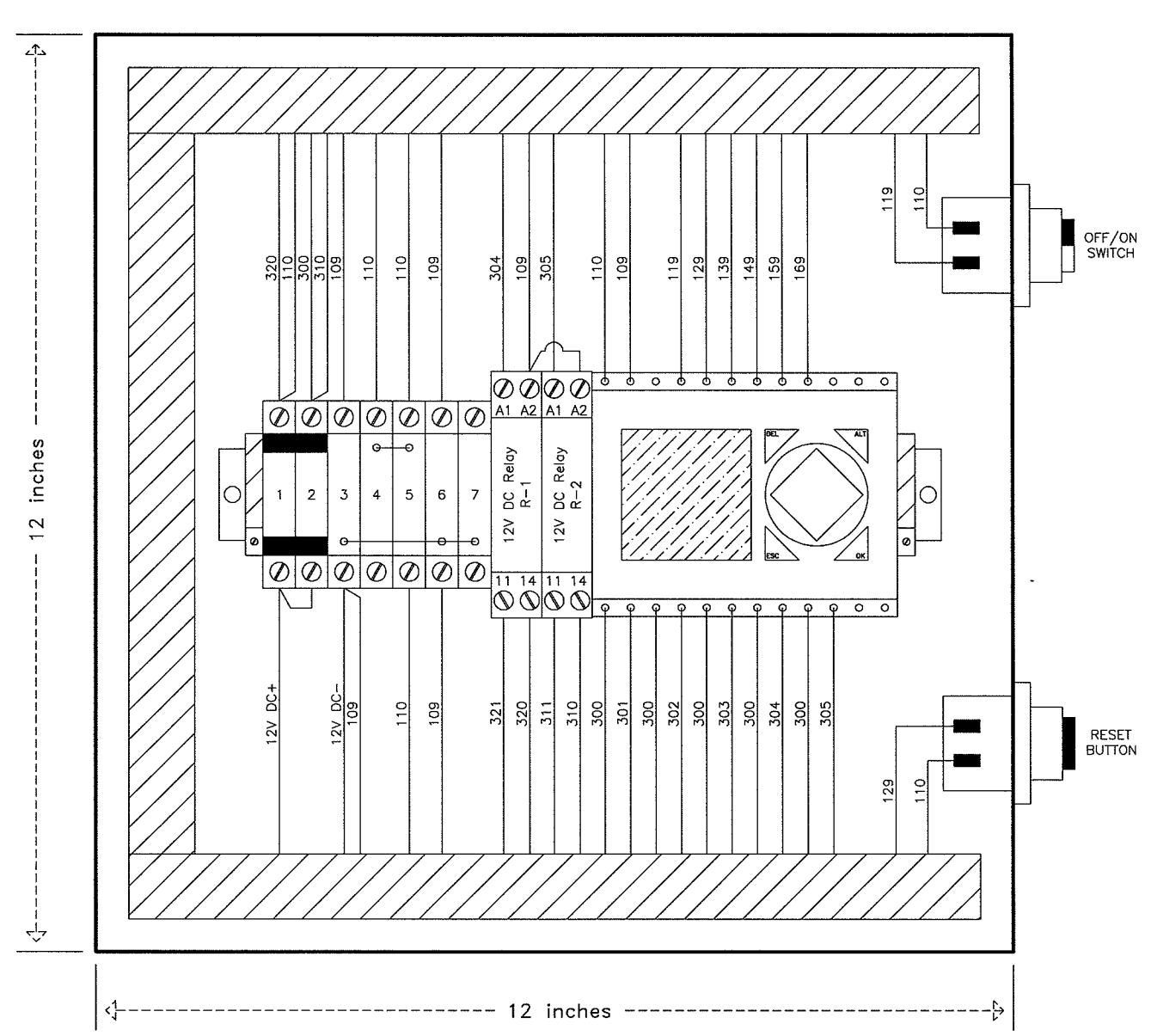
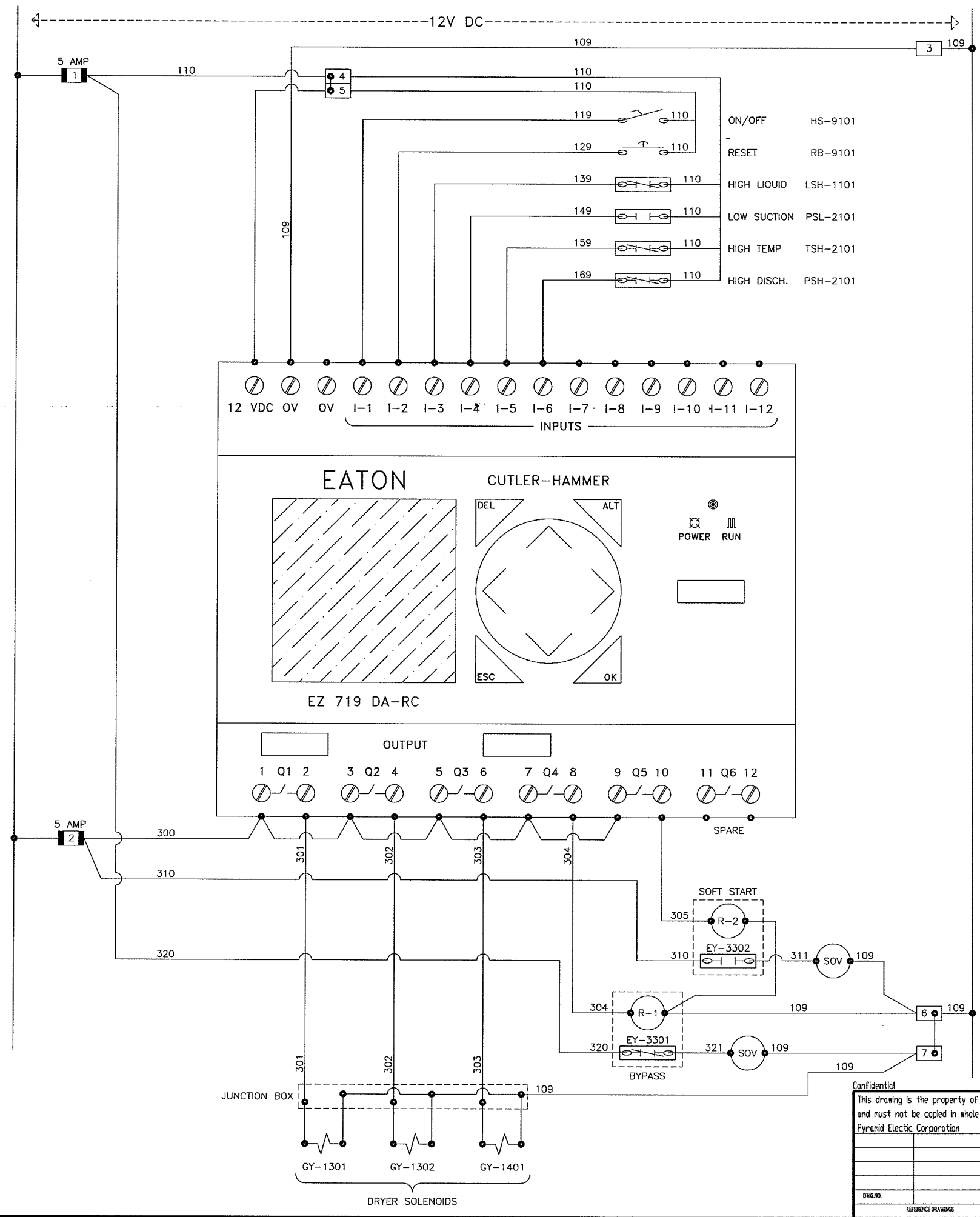
BILL of MATERIAL					
ITEM CODE	MARK	Q'TY	DESCRIPTION	MATERIAL	WEIGHT
463081016	1	2	C6x8.2# x 84"LG	A36/44W	115 lbs
463081016	2	1	C6x8.2# x 44"LG	A36/44W	30 lbs
463081010	3	5	C4x5.4# x 44"lg	A36/44W	99 lbs
463081010	4	1	C4x5.4# x 9-1/4"lg	A36/44W	4 lbs
463081010	5	1	C4x5.4# x 11-1/4"lg COE	A36/44W	5 lbs
463081010	6	2	C4x5.4# x 14-1/2"lg	A36/44W	13 lbs
463081010	7	1	C4x5.4# x 8"lg COE	A36/44W	4 lbs
463001111	8	1	1/4" H.R. PL.: 67-3/8"x42-7/8" = 20.3 sqft	A36/44W	207 lbs
462501222	9	1	3/4" 3000# NPT HALF COUPLING	SA-105N	1 lbs
463081016	10	1	C6x8.2# x 44"LG	A36/44W	30 lbs
TOTAL					508 lbs

WELDERS NOTE:
 - 1/8" HAS BEEN TAKEN OFF OF CUT LENGTHS FOR WELD GAP PURPOSES
 - PRE-DRILL 3/4"Ø HOLE IN ITEM#2
 - SEAL WELD 3/4" NPT CPLG ON ITEM#2. PLACE CPLG ON CHANNEL SO SEAL WELD CAN BE DONE BETWEEN CPLG & CHANNEL FLANGE.



1	AS BUILT	SDC	11-24-08		Drawn by: S.D.C. Date: 07-18-06 Checked by: Approved by: Scale: 1:10	ROTOR COMP w/ AA DRYING STANDARD SKID DRAWING IC#: SKID4X6NK60AA
0	ISSUED FOR CONSTRUCTION	FL	11-07-06		Company: HUSKY OIL OPERATIONS LTD	
REV.	DESCRIPTION	BY	DATE	CHKD/APPD	2308-8th Street Nisku Alberta T9E 7Z2 Office: 780.955.4292 Fax: 780.955.4294 Toll Free: 866.955.4292	Quote/Ref. NO.: JOB NO.: Unit NO.: Drawing NO.: 1-939 RCAA-08084 SKD-RCAA08084-D-01 1

P:\PC Compression\Drafting\Work-Internal\1-939 RCAA-08084 NK-60 Husky AB\E-ELC-RCAA08084 AB.dwg, 11/24/2008 11:22:21 AM, scaltape, Property of PC Compression Inc. Duplication or transmittal without written consent is prohibited.



GAS DRYER TIMER CONTROLLER

PLC #	VALVE #	VALVE NAME	5	30	60	90	120	150	180	210	240	270	300	330	360	390	420	450	480	495		
Q-1	GY-1301	SOV #1																			ON	BYPASS SOV
Q-2	GY-1302	SOV #2																			ON	LEFT TOWER
Q-3	GY-1401	SOV #3																			OFF	RIGHT TOWER

PLC Control Panel

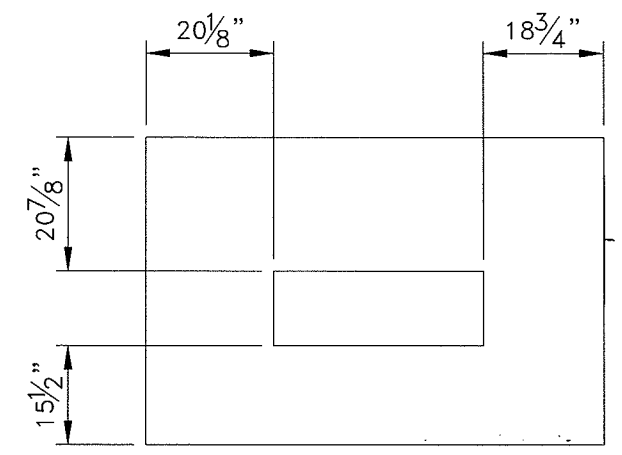
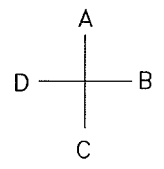
DRGNO.	1	DATE	11-24-08	AS BUILT	SDC	DRWN	BTX	CHECKED	SCALE	DRAWING NO.	PC121206-00-0001	REV.	01
REFERENCE DRAWINGS	REV.	DATE	DESCRIPTION	BY	APPD	DATE	December 12/2006	REF.	Job #				

2308-8th Street
Nisku Alberta
T9E 7Z2

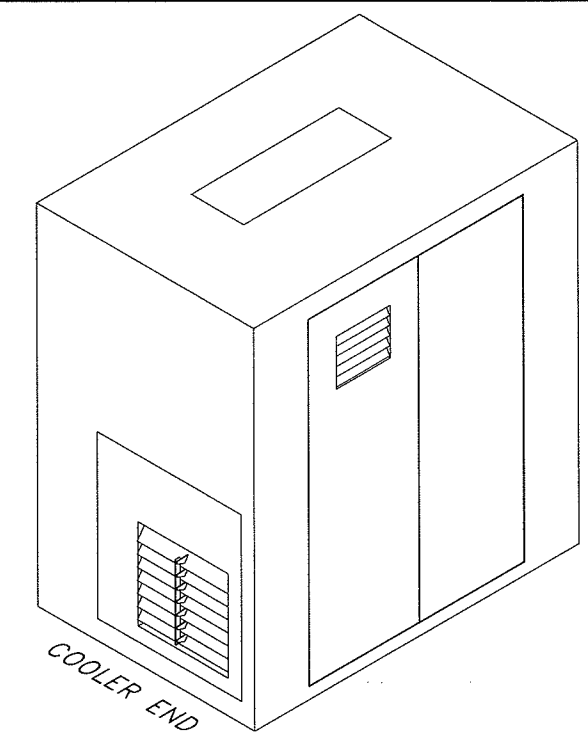
Office: 780.955.4292
Fax: 780.955.4294
Toll Free: 866.955.4292

PC JOB NO.: 1-939
PC Unit NO.: RCAA-08083

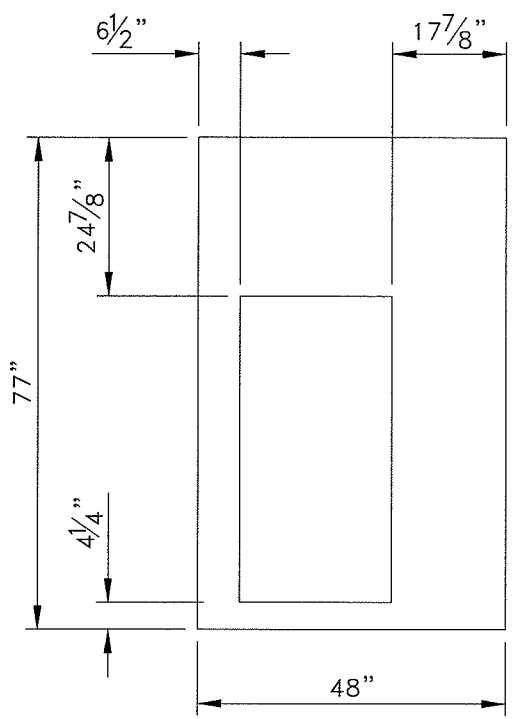
P:\PC Compression\Drafting\Work-Internal\1-939_RCAA-08084_NK-60_Husky AB\F-BLD-RCAA08084_AB.dwg, 11/24/2008 11:22:37 AM, scottlpc, Property of PC Compression Inc. Duplication or transmittal without written consent is prohibited.



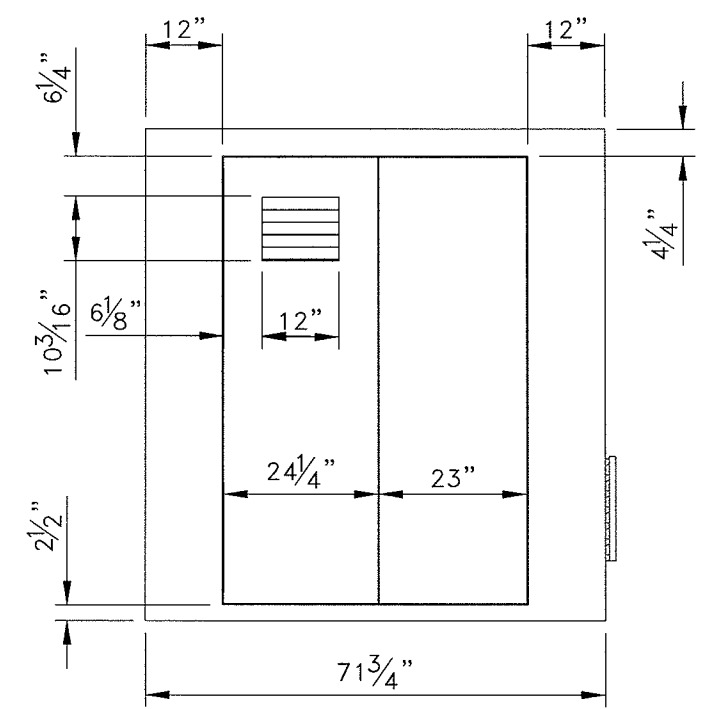
PLAN VIEW
SCALE 1:30



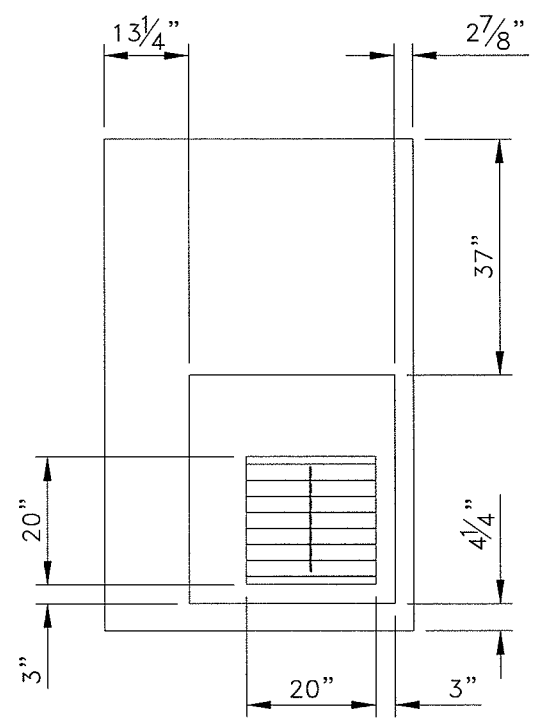
NE ISOMETRIC VIEW
SCALE 1:30



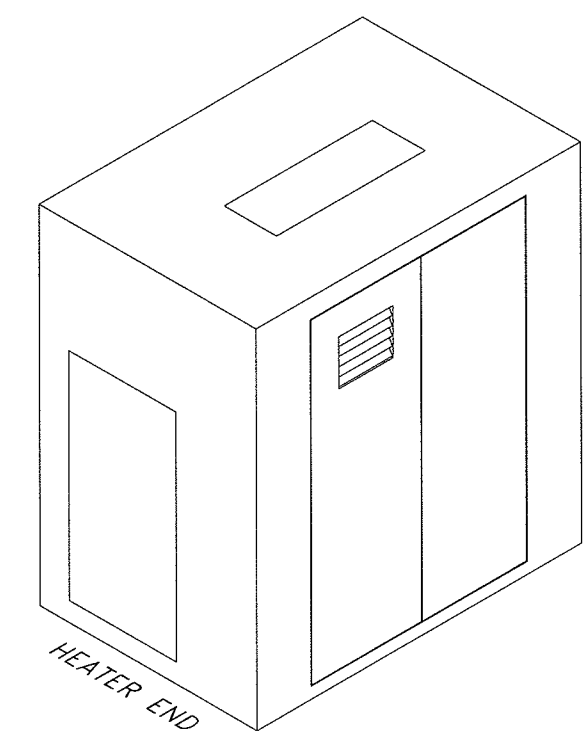
LEFT SIDE VIEW
SCALE 1:30



FRONT & BACK VIEW
SCALE 1:30



RIGHT SIDE VIEW
SCALE 1:30

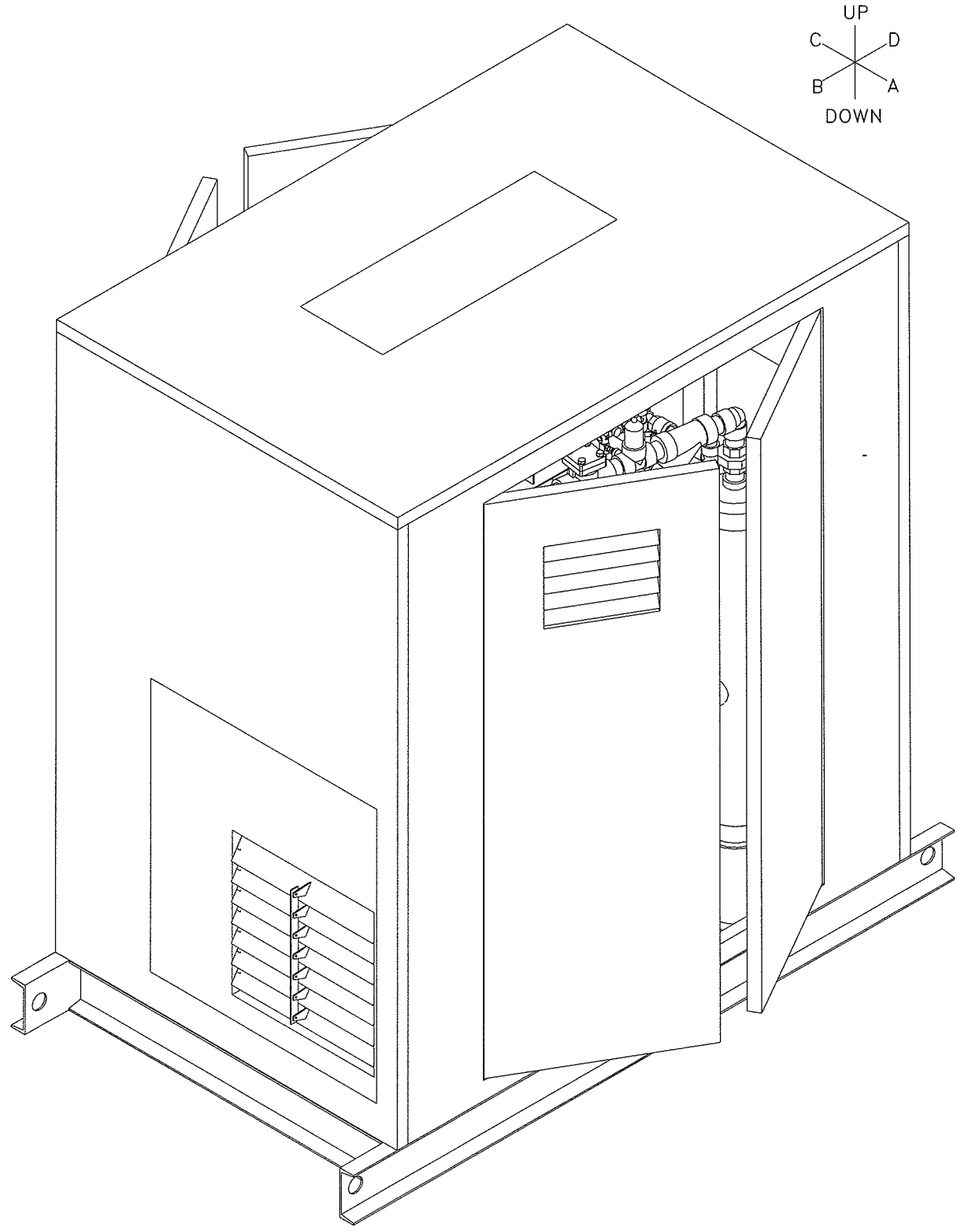


SW ISOMETRIC VIEW
SCALE 1:30

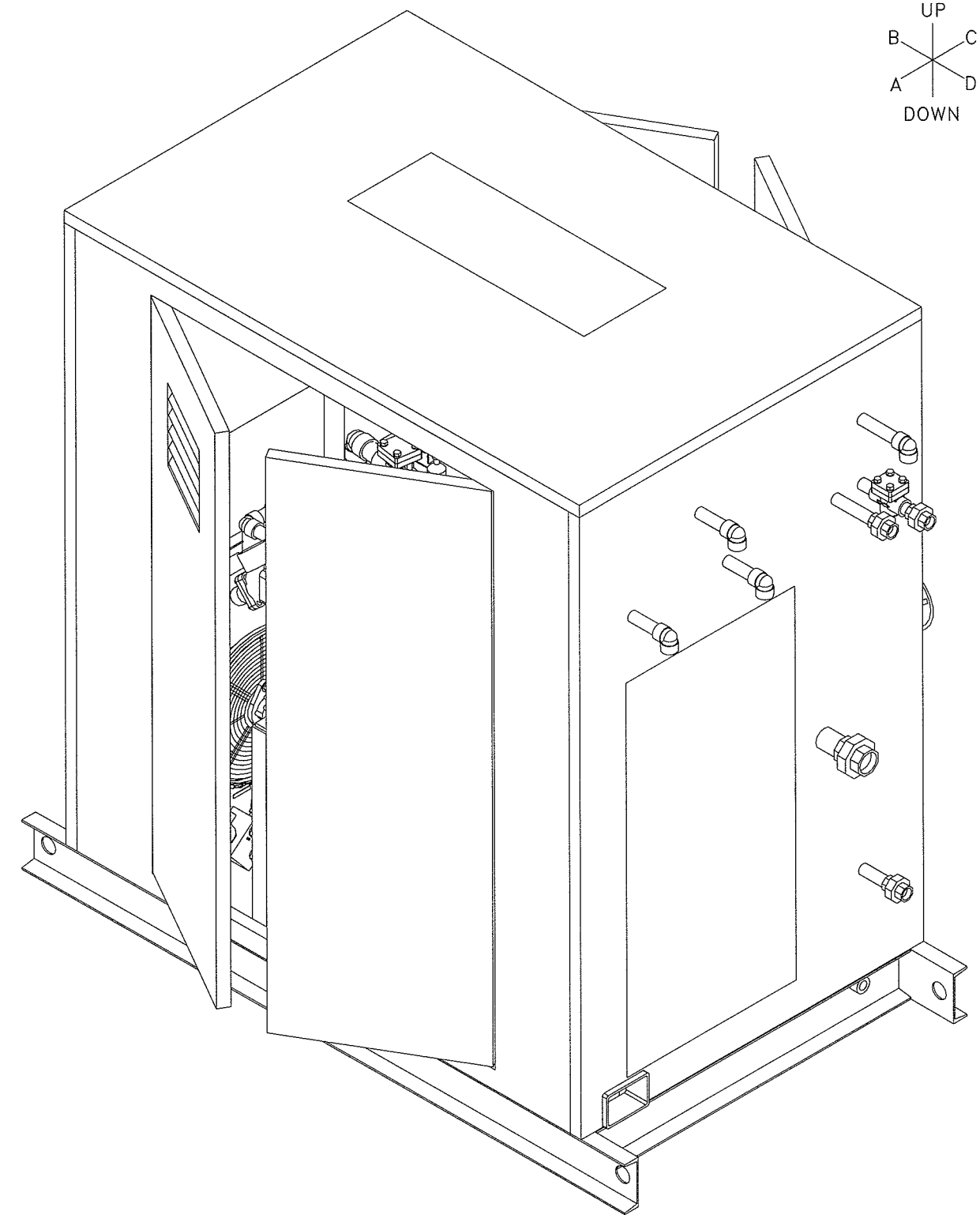
GENERAL NOTES:
- BUILDING WALLS & ROOF MADE OF 1 1/2" THICK FOAM INSULATED PANELS w/ GALVALUME INTERIOR AND EXTERIOR

				Drawn by: F.L. Date: 11-29-06 Checked by: <i>[Signature]</i> Approved by: <i>[Signature]</i>		ROTORCOMP w/ AA DRYING 1-1/2" FOAM PANEL BUILDING BUILDING LAYOUT						
2308 8th Street Nisku Alberta T9E 7Z2				Office: 780.955.4292 Fax: 780.955.4294 Toll Free: 866.955.4292		Company: HUSKY OIL OPERATIONS LTD						
1	AS BUILT	SDC	11-24-08	BY	DATE	CHKD	APPD	Quote/Ref. NO.:	JOB NO.:	Unit NO.:	Drawing NO.:	Rev.:
REV.	DESCRIPTION							1-939	RCAA-08084	BLD-RCAA08084-F-01	1	1

P:\PC Compression\Drafting\Work-Internal\1-939 RCAA-08084 NK-60 Husky AB\B-GA-RCAA08084 AB.dwg, 11/24/2008 11:09:38 AM, scottpc, Property of PC Compression Inc. Duplication or transmission without written consent is prohi



'BA' ISOMETRIC BUILDING VIEW
SCALE 1:15

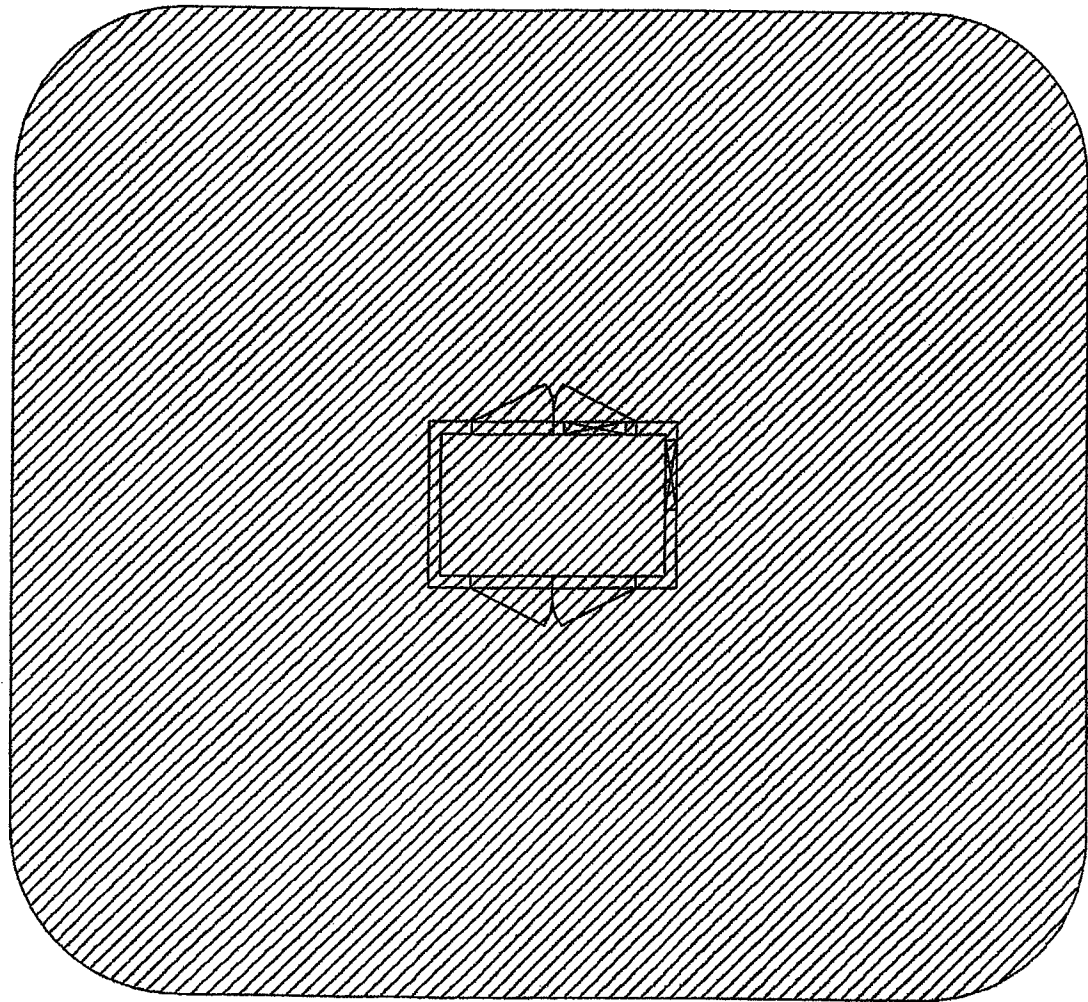


'AD' ISOMETRIC BUILDING VIEW
SCALE 1:15

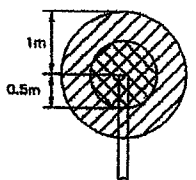
						Drawn by: S.D.C. Date: 08-13-08 Checked by: <i>SDC</i> Approved by: <i>GB</i>		ROTORCOMP w/ AA DRYING NK60 w/ SUNFAB M012WH-B4KU SKID MOUNTED, SWEET SERVICE			
				2308-8th Street Nisku Alberta T9E 7Z2		Office: 780.955.4292 Fax: 780.955.4294 Toll Free: 866.955.4292		Company: HUSKY OIL OPERATIONS LTD			
1	AS BUILT	SDC	11-24-08			Scale:	Quote/Ref. NO.:	JOB NO.:	Unit NO.:	Drawing NO.:	Rev.:
REV.	DESCRIPTION	BY	DATE	CHKD	APPD	1:15	Q-06060	1-939	RCAA-08084	BLD-RCAA08084-F-02	1

SUMMARY OF CONDITIONS:
 THE CLASSIFICATION ASSIGNED TO THIS COMPRESSOR PACKAGE IS SUBJECT TO THE FOLLOWING CONDITIONS. IF ANY OF THESE CONDITIONS ARE NOT MET, THE AREA CLASSIFICATION IN THIS REPORT WILL NOT APPLY AND THE CLASSIFICATION OF THE INTERIOR OF THE COMPRESSOR ROOM WILL REVERT TO CLASS 1, ZONE 1 IN ACCORDANCE WITH THE LATEST EDITION OF THE SAFETY CODES COUNCIL "CODE FOR ELECTRICAL INSTALLATIONS AT OIL AND GAS FACILITIES".

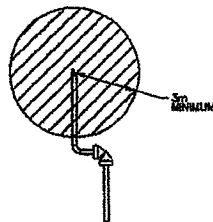
1. THE COMPRESSOR PACKAGE SHALL NOT BE INSTALLED IN A DIVISION 1, ZONE 0, OR ZONE 1 HAZARDOUS AREA CREATED BY OTHER EQUIPMENT AT THE SITE OF APPLICATION.
2. THE VENTILATION DEVICES MAY BE SHUT, BUT MAY NOT BE CLOSED OFF OR REMOVED. IF CHANGES TO THE DESIGN ARE REQUIRED THAT WILL REDUCE THE VENTILATION RATE IN THE COMPRESSOR ROOM, THE EFFECT OF THE CHANGES ON THE CONCENTRATION OF FUGITIVE EMISSIONS MUST BE EVALUATED.
3. ANY DEVIATIONS FROM THE DESIGN OF THIS COMPRESSOR PACKAGE WITH RESPECT TO THE PIPING, VALVES AND FITTINGS AS SHOWN IN THE P&ID COMPRESSOR DRAWINGS MUST BE EVALUATED FOR THEIR EFFECT ON THE CONCENTRATION OF FUGITIVE EMISSIONS IN THE BUILDING.
4. PROCEDURES AND CONTROLS MUST BE IN PLACE TO ENSURE ABNORMAL SITUATIONS RESULTING IN COMBUSTIBLE CONCENTRATIONS OF GAS INSIDE THE COMPRESSOR ROOM DO NOT PERSIST FOR MORE THAN 10 HOURS PER YEAR. DUE TO THE SIGNIFICANCE IN OPERATIONS AND MAINTENANCE OF THIS REQUIREMENT THROUGH THE LIFE OF THE FACILITY, IT IS RECOMMENDED THE RESPONSIBILITY FOR THIS CONDITION SHOULD BELONG TO THE OPERATING COMPANY USING THE COMPRESSOR PACKAGE, NOT THE COMPRESSOR PACKAGE MANUFACTURER. BECAUSE IT IS THE MOST RELIABLE, ECONOMICAL, AND PRACTICAL METHOD AVAILABLE TODAY TO MEET THIS REQUIREMENT, IT IS RECOMMENDED THAT A COMBUSTIBLE GAS DETECTION SYSTEM BE PERMANENTLY INSTALLED AND MAINTAINED IN ACCORDANCE WITH THE MANUFACTURER'S RECOMMENDATIONS, OR IN ACCORDANCE WITH ANS/ISA RECOMMENDED PRACTICE (2.13, PART 6, INSTALLATION OPERATION AND MAINTENANCE OF COMBUSTIBLE GAS DETECTION INSTRUMENTS (ALSO SEE CONDITION #5)).
5. THE COMPRESSOR PACKAGE MUST BE MAINTAINED IN A MANNER THAT WILL ENSURE SIGNIFICANT LEVELS OF COMBUSTIBLE GAS (ABOVE 1 - 5 % OF THE LEL) DO NOT EXIST UNDER ANY NORMAL OPERATING CONDITIONS.
6. THE DESIGN OF THIS BUILDING IS BASED ON USE WITH GROUP D OR IA GASES. USE WITH GASES IN OTHER GAS GROUPS WILL REQUIRE REVIEW OF THE INSTALLED ELECTRICAL EQUIPMENT AND REPLACEMENT OF ANY DEVICES NOT SUITABLE FOR THE OTHER GAS GROUPS. FURTHERMORE, THE EXTENT OF THE ZONE 2 BOUNDARIES AROUND THE COMPRESSOR ROOM MUST BE RE-EVALUATED IF LARGE CONCENTRATIONS OF HEAVIER THAN AIR GASES ARE PRESENT.
7. THE CONCLUSIONS OF THIS AREA CLASSIFICATION REPORT ARE BASED ON THE UNDERSTANDING THAT THIS COMPRESSOR PACKAGE WILL BE INSTALLED IN A FIELD GAS APPLICATION. IF THIS COMPRESSOR IS INSTALLED IN GAS PLANT APPLICATIONS WHERE GAS STREAMS MAY BE DRY METHANE, OR IN APPLICATIONS WHERE API 4322 TABLE E1 SHOULD NOT APPLY, THE CONCENTRATION OF FUGITIVE EMISSIONS IN THIS BUILDING MUST BE RE-EVALUATED.



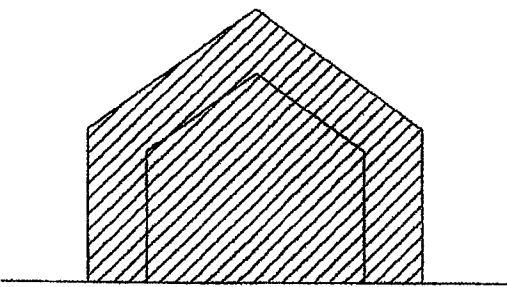
PLAN VIEW



INSTRUMENT VENT IN A NON-ENCLOSED ADEQUATELY VENTILATED AREA
ELEVATION VIEW
NTS



RELIEF VALVE IN A NON-ENCLOSED ADEQUATELY VENTILATED AREA



BUILDING SECTION
3m

- LEGEND**
- CLASS 1 ZONE 0, GROUP IA OR GROUP D
ELECTRICAL EQUIPMENT SURFACE OPERATING TEMPERATURE MUST BE LESS THAN 482°C OR HAVE A T1 OR LOWER TEMPERATURE CODE
 - CLASS 1 ZONE 1, GROUP IA OR GROUP D
ELECTRICAL EQUIPMENT SURFACE OPERATING TEMPERATURE MUST BE LESS THAN 482°C OR HAVE A T1 OR LOWER TEMPERATURE CODE
 - CLASS 1 ZONE 2, GROUP IA OR GROUP D
ELECTRICAL EQUIPMENT SURFACE OPERATING TEMPERATURE MUST BE LESS THAN 482°C OR HAVE A T1 OR LOWER TEMPERATURE CODE
 - NON-HAZARDOUS AREA

NO.	DATE	REVISIONS	DRAWN	CHECK	DESIGN	APPR.	DWG NO	TITLE
0	06/11/14	ISSUED FOR CONSTRUCTION	MCH	SLP	SLP			
			DRAFTING		ENGINEERING			REFERENCE DRAWINGS



SEAL/STAMP

PERMIT

APPROVED FOR CONSTRUCTION	
DATE	REV.
PROJECT ENGINEERING	

PC COMPRESSION INC.			
STANDARD ROTORCOMP COMPRESSOR AREA CLASSIFICATION DRAWING			
CONTRACTOR NAME	SCALE	DRAWING NUMBER	REV
1103104 ALBERTA INC.	NTS	PCC-061110	0
CONTRACTOR DWG NUMBER			

ROTATING EQUIPMENT COMPRESSORS

Data Collected By: _____		Entry Date: _____		Package ID # I-939	
Equipment Class _____		Purchase Order # 4500213527			
Equipment Description: COMPRESSOR ASSEMBLY			Tag No. C-210		
Facility: _____					
Location: LSD		Sec	Twp	Rge	W/
Cost Center: _____		Acquis Value _____		Acquis Date _____	
Equipment Status: _____		Ownership Status _____			
Manufacturer: ROTORCOMP VERDICHTER		Year Built 2007			
Equipment Condition: _____		Model No. NK60-GAS		Serial No. G.43351	
Construction: _____					
Skid Weight: _____		Skid Size _____		(w x l x h)	
Common Characteristics					
Fluid Description NG		Service Sweet		Driven By Motor	
Rotation CCW (viewed from Drive End)		# Stages 1			
Design Cap 52 CFM		Des.Suct. 1 psig		Des.Disch 218 psig	
Frame HP Rtg 20 HP		Frame Max Speed 8000 RPM			
Additional Characteristics for Reciprocating Compressors					
# Throws _____		Cylinder #1 _____		Cylinder #2 _____	
		Cylinder #3 _____		Cylinder #4 _____	
Additional Characteristics for Rotary Compressors					
Rotary Comp Type Screw					
Csg MAWP _____		Csg Mat'l _____			
Additional Characteristics for Centrifugal Compressor and Turbo Expander					
Casing Type _____					
Csg MAWP _____		Csg Mat'l _____			
Material Transfer Information					
Transfer Recorded By: _____				Date _____	
From LSD		Sec	Twp	Rge	W/
Transfer Yard _____					
To LSD		Sec	Twp	Rge	W/
Facility _____		Receiving AFE: _____			
Additional Notes					

Ensure Package ID Number is Identified on ALL Individual Equipment Item Templates

PRESSURE VESSELS

Data Collected By: _____		Entry Date: _____		Package ID # I-939	
Equipment Class: Separator		Purchase Order # 4500213527			
Equipment Description: INLET SEPERATOR			Tag No. V-110		
Facility: _____					
Location: LSD		Twp		Rge	
Cost Center: _____		Acquis Value		Acquis Date	
Equipment Status: _____		Ownership Status			
Manufacturer: PYRAMID MANUFACTURING		Year Built 2008			
Equipment Condition: _____		Model No. _____		Serial No. 08-3145-0000C	
Construction: _____					
Skid Weight: _____		Skid Size _____ (w x l x h)			
Common Characteristics					
Fluid Description: NATURAL GAS		Service Sweet		Code Stamp	
Prov. Reg. No.(A#): _____		CRN OH08030.23		# Phases 2	
Shell MAWP: 550 psig		@maxTemp		600 °F	
Shell Mat'l: SA-106 B		Shell Thick 0.28 in		Shell CA 0.0625 in	
Head Mat'l: SA-234 WPB		Head Thick 0.28 in		Head CA 0.0625 in	
Nozzle Type: H CPLG/TOL		Nozzle Rtg 3000#		Ansi	
Nozzle Mat'l: SA-105 N		Nozzle Thick _____		Nozzle CA _____	
X-Ray: _____		# Manways		# Inspection Ports	
Volume: 1.3 ft³		Design Flow		Stress Relief	
Diameter: 6.625 in		Length/Height 36 S/S		Orientation Vertical	
Support Type: Skirt		Internal Coating /Cladding Type			
Internal Coating: N		Insulation Thickness _____		Painted / Primed N	
Internals					
Component Type: _____		Manufacturer _____		Model _____	
Component Mat'l: _____		Component Size _____		Component CA _____	
Removable: _____					
Additional Characteristics for Treaters					
Treater Type		Desand System			
# Firetubes		Firetube S/N		Firetube Rating	
Material Transfer Information					
Transfer Recorded By: _____					Date _____
From LSD		Twp		Rge	
Transfer Yard _____					
To LSD		Twp		Rge	
Facility _____					Receiving AFE: _____
Additional Notes					

ALBERTA MUNICIPAL AFFAIRS

ABSA, the pressure equipment safety authority

9410 – 20th Avenue

Edmonton, AB T6N 0A4

RECEIVED JUL 2 5 2008**MANUFACTURER'S DATA REPORT****FOR MINIATURE PRESSURE VESSEL****DÉCLARATION DE CONFORMITÉ DU CONSTRUCTEUR****D'APPAREILS SOUS PRESSION**

Upon shipment of a pressure vessel, this form fully and correctly filled in must be mailed to the office of the Chief Inspector in the province of installation in accordance with the regulations under the Act, governing the construction and installation of pressure vessels.

Au moment de l'expédition d'un appareil sous pression, ce formulaire complété correctement, doit être envoyé au bureau de l'inspecteur en chef de la province d'installation tel que prévu dans les règlements de la loi sur les appareils sous pression.

Manufactured by Construit par	Name and address of Manufacturer/ <i>Nom et adresse du constructeur</i> Pyramid Process Fabricators; 2308-8th Street, Nisku, Alberta, T9E 7Z2
Manufactured for Construit pour	Name and address of Purchaser or Consignee/ <i>Nom et adresse du client ou de son représentant</i> PC Compression; 2308-8th Street, Nisku, Alberta, T9E 7Z2
Ultimate owner Utilisateur	Name and address/ <i>Nom et adresse</i>
Location of installation Lieu d'installation	Name and address/ <i>Nom et adresse</i>

Pressure vessel/ Appareil

Type/ <i>Genre</i> Scrubber	Overall Length/ <i>Longueur totale</i> 3'-0"	Serial No./ <i>N° de série</i> 08-3145-0000C	Year built/ <i>Année de fabrication</i> 2008
Provincial Registration No. – C.R.N./ <i>N° d'enregistrement provincial - N.E.C.</i> OH8030.23			Drawing No./ <i>N° de dessin</i> B-06-2813-0000-001 Rev. 3

The chemical and physical properties of all parts meet the requirements of material specifications of the A.S.M.E. Code.

Les propriétés chimiques et physiques de toutes les composantes respectent les exigences des spécifications de matériaux de code ASME.

The design, construction and workmanship conform to CSA B51. <i>La conception, la construction et la façon sont conformes à ACNOR B51.</i>	ASME Section VIII	Division 1	Addenda/ <i>Supplément</i> 2007	Code case No. <i>N° de cas</i>
Manufacturer's partial data reports properly identified and signed by authorized inspectors have been furnished for the following items of the report, and attached to this report: <i>Les rapports partiels du constructeur adéquatement identifiés et signés par les inspecteurs autorisés ont été produits pour les items suivants du rapport, et attachés à ce rapport:</i>				
Names of parts/ <i>Nom de la composante</i>	Item No./ <i>N° d'item</i>	Manufacturer's Name/ <i>Nom du constructeur</i>	Identifying Stamp/ <i>Estampe d'identification</i>	

Shell/ Virole

Description	Material <i>Matériau</i>	Thickness <i>Épaisseur</i>	Corr. Allow. <i>Surépais. de corr.</i>	Diameter <i>Diamètre</i>	Longitudinal Joints <i>Joints longitudinaux</i>			P.W.H.T. <i>Traitement therm</i>		Girth Joints <i>Joints de circonférence</i>		Number of courses <i>Nombre de sections</i>
					Type	R.T. <i>Radiog.</i>	Efficiency <i>Efficacité</i>	Temp.	Time <i>Durée</i>	Type	R.T. <i>Radiog.</i>	
6" Pipe Shell	SA-106 Gr. B	0.280"	0.0625"	6.625"						1	None	1

Heads/ Tetes

Description	Material <i>Matériau</i>	Min. Thickn. <i>Épais min.</i>	Corr. Allow <i>Surép. Corr.</i>	Crown Radius <i>Rayon couron.</i>	Knuckle Radius <i>Petit rayon</i>	Ellipse Ratio <i>Rapp. ellipse</i>	Conical Apex Angle <i>Angle conique</i>	Hemisph. Radius <i>Ray. Hémisph</i>	Flat Diameter <i>Diam.plat</i>	Side to pressure <i>Côte sous pression</i>
6" Pipe Cap	SA-234-WPB	0.245"	0.0625"			2:1				Concave
6" Pipe Cap	SA-234-WPB	0.245"	0.0625"			2:1				Concave
Removable bolts used (describe other fastenings) <i>Boulons amovible utilisés (décrire tout autre attache)</i>					Mat'l Spec./ <i>Spéc. du mat.</i>			Grade		Size/ <i>Dimension</i>

Pressure - Temperature/ Pression - température

Pressure Vessel Part <i>Partie de l'appareil</i>	Constructed for max. allowable working pressure <i>Construit pour une pression maximale de marche permise</i>	At max. temp. <i>A une temp. max.</i>	Minimum design metal temp. <i>Temp. min.</i>	Test pressure (hydro-pneumatic or combination) <i>Pression d'épreuve (hydro-pneumatique ou combinaison)</i>
Scrubber	550 PSI	600 F	-20 F	825 PSI

Tube Section/ Faisceau tubulaire

Tubesheet/ <i>Plaque tubulaire</i>	Material/ <i>Matériau</i>	Diameter/ <i>Diamètre</i>	Nominal Thickness <i>Épaisseur nominale</i>	Corr. Allow. <i>Surépais. corrosion</i>	Attachment <i>Mode d'attachement</i>
Tube material/ <i>Matériau des tubes</i>	Diameter/ <i>Diamètre</i>	Nominal Thickness (gauge) <i>Épaisseur nominale (calibre)</i>	Number/ <i>Nbre</i>	Type (Straight or U) <i>Type (Droit ou U)</i>	Heating Surface <i>Surface de chauffe</i>

Jacket/ Chemise

Type of jacket/ <i>Genre de chemise</i>	Jacket closure <i>Fermeture de chemise</i>	Proof Test <i>Pression d'épreuve</i>	Heating Surface <i>Surface de chauffe</i>	Sketch/ <i>Schéma</i>
---	---	---	--	-----------------------

Safety Valve Outlets/ Soupapes de sûreté

Number/ <i>Nombre</i>	Dimension	Location/ <i>Endroit</i>
-----------------------	-----------	--------------------------

Nozzles and Openings/ Tubulures et ouvertures

Purpose/ <i>But</i>	Number <i>Nombre</i>	Dimension	Type	Material <i>Matériau</i>	Nominal Thickness <i>Épaisseur nominale</i>	Reinforcement material <i>Matériau de renfort</i>	How attached <i>Genre d'attaches</i>	Location/ <i>Endroit</i>
Inlet C1	1	1 1/2"	3000# CPLG	SA-105N	0.2925"		UW-16.1(c)	Shell
Gas Out/Inspection C2	1	1 1/2"	3000# CPLG	SA-105N	0.2925"		UW-16.1(c)	Top Head
Drain C3	1	1"	Pipe	SA-106 Gr. B	0.179"		UW-16.1(c)	Bottom Head
Sight Glass C4A	1	1"	3000# TOL	SA-105N	0.2413"		UW-16.1(a)	Shell
Inspection C4B	1	1"	3000# TOL	SA-105N	0.2413"		UW-16.1(a)	Shell
Level Control C5	1	2"	3000# CPLG	SA-105N	0.2970"		UW-16.1(c)	Shell
High Level C6	1	2"	3000# CPLG	SA-105N	0.2970"		UW-16.1(c)	Shell

Supports/ Supports

Skirt/ <i>Jupe</i> Yes/ <i>Oui</i> No/ <i>Non</i> <input checked="" type="checkbox"/> <input type="checkbox"/>	Lugs/ <i>Oreilles</i> No./ <i>Nbre</i>	Legs/ <i>Pieds</i> No./ <i>Nbre</i>	Other/ <i>Autres</i> (Description)	Attached/ <i>Attaches</i> (Where and How/ <i>Méthode et endroit</i>) Bottom Head By Welding
--	---	--	------------------------------------	--

Remarks/ Observations (Cubical capacity/ Volume)

Vessel Fabricated to Dwg # D-08-3145-0000-001 Rev. 0
 Vessel Volume = 1.3 cu. ft (0.04 cu. m)
 Vessel Impact Test Exempt per UG-20(f)

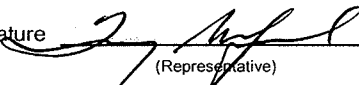
Certificate of Compliance/ Certificat de conformité

We certify that the statements made in this data report are correct and that the said vessel has been constructed in accordance with the Provincial Registered design below and the requirements of standard CSA B51.

Nous certifions que les données de la déclaration de conformité sont correctes et que l'appareil a été construit en accord avec l'enregistrement provincial ci-dessous et les exigences de la norme ACNOR B51.

Provincial Registered Design
 Enregistrement provincial OH8030.23

Manufacturer
 Constructeur Pyramid Process Fabricators

Signature  Date July 17/08
 (Representative)

Signature _____ Date _____
 (Certified Individual)

PRESSURE VESSELS

Data Collected By: _____		Entry Date: _____		Package ID # I-939	
Equipment Class: Separator		Purchase Order # 4500213527			
Equipment Description: DISCHARGE SCRUBBER			Tag No. V-120		
Facility: _____					
Location: LSD		Twp		Rge	
Cost Center: _____		Acquis Value		Acquis Date	
Equipment Status: _____		Ownership Status			
Manufacturer: PYRAMID MANUFACTURING		Year Built 2008			
Equipment Condition: _____		Model No. _____		Serial No. 08-3171-0000D	
Construction: _____					
Skid Weight: _____		Skid Size _____ (w x l x h)			
Common Characteristics					
Fluid Description: NATURAL GAS		Service Sweet		Code Stamp	
Prov. Reg. No.(A#): _____		CRN OH08030.23		# Phases 2	
Shell MAWP: 550 psig		@maxTemp		600 °F	
Shell Mat'l: SA-106 B		Shell Thick 0.28 in		Shell CA 0.0625 in	
Head Mat'l: SA-234 WPB		Head Thick 0.28 in		Head CA 0.0625 in	
Nozzle Type: H CPLG/TOL		Nozzle Rtg 3000#		Ansi	
Nozzle Mat'l: SA-105 N		Nozzle Thick _____		Nozzle CA _____	
X-Ray: _____		# Manways _____		# Inspection Ports _____	
Volume: 1.3 ft³		Design Flow _____		Stress Relief _____	
Diameter: 6.625 in		Length/Height 36 S/S		in	
Support Type: Skirt		Orientation Vertical			
Internal Coating: N		Internal Coating /Cladding Type _____			
Insulated: N		Insulation Thickness _____		Painted / Primed N	
<i>Internals</i>					
Component Type: _____		Manufacturer _____		Model _____	
Component Mat'l: _____		Component Size _____		Component CA _____	
Removable: _____					
Additional Characteristics for Treater					
Treater Type		Desand System			
# Firetubes		Firetube S/N		Firetube Rating	
Material Transfer Information					
Transfer Recorded By: _____					Date _____
From LSD		Twp		Rge	
Transfer Yard _____					
To LSD		Twp		Rge	
Facility _____					Receiving AFE: _____
Additional Notes					

ALBERTA MUNICIPAL AFFAIRS

ABSA, the pressure equipment safety authority
9410 – 20th Avenue
Edmonton, AB T6N 0A4

RECEIVED JUL 25 2008

**MANUFACTURER'S DATA REPORT
FOR MINIATURE PRESSURE VESSEL
DÉCLARATION DE CONFORMITÉ DU CONSTRUCTEUR
D'APPAREILS SOUS PRESSION**

Upon shipment of a pressure vessel, this form fully and correctly filled in must be mailed to the office of the Chief Inspector in the province of installation in accordance with the regulations under the Act, governing the construction and installation of pressure vessels.

Au moment de l'expédition d'un appareil sous pression, ce formulaire complété correctement, doit être envoyé au bureau de l'inspecteur en chef de la province d'installation tel que prévu dans les règlements de la loi sur les appareils sous pression.

Manufactured by Construit par	Name and address of Manufacturer/ Nom et adresse du constructeur Pyramid Process Fabricators; 2308-8th Street, Nisku, Alberta, T9E 7Z2
Manufactured for Construit pour	Name and address of Purchaser or Consignee/ Nom et adresse du client ou de son représentant PC Compression; 2308-8th Street, Nisku, Alberta, T9E 7Z2
Ultimate owner Utilisateur	Name and address/ Nom et adresse
Location of installation Lieu d'installation	Name and address/ Nom et adresse

Pressure vessel/ Appareil

Type/ Genre Scrubber	Overall Length/Longueur totale 3'-0"	Serial No./ N° de série 08-3171-0000D	Year built/Année de fabrication 2008
Provincial Registration No. – C.R.N./N° d'enregistrement provincial - N.E.C. OH8030.23			Drawing No./ N° de dessin B-06-2813-0000-001 Rev. 3

The chemical and physical properties of all parts meet the requirements of material specifications of the A.S.M.E. Code.

Les propriétés chimiques et physiques de toutes les composantes respectent les exigences des spécifications de matériaux de code ASME.

The design, construction and workmanship conform to CSA B51. <i>La conception, la construction et la façon sont conformes à ACNOR B51.</i>	ASME Section VIII	Division 1	Addenda/Supplément 2007	Code case No. N° de cas
---	-----------------------------	----------------------	-----------------------------------	----------------------------

Manufacturer's partial data reports properly identified and signed by authorized inspectors have been furnished for the following items of the report, and attached to this report:

Les rapports partiels du constructeur adéquatement identifiés et signés par les inspecteurs autorisés ont été produits pour les items suivants du rapport, et attachés à ce rapport:

Names of parts/ Nom de la composante	Item No./ N° d'item	Manufacturer's Name/ Nom du constructeur	Identifying Stamp/ Estampe d'identification

Shell/ Virole

Description	Material Matériau	Thickness Épaisseur	Corr. Allow. Surépais. de corr.	Diameter Diamètre	Longitudinal Joints Joints longitudinaux			P.W.H.T. Traitement therm		Girth Joints Joints de circonférence		Number of courses Nombre de sections
					Type	R.T. Radiog.	Efficiency Efficacité	Temp.	Time Durée	Type	R.T. Radiog.	
6" Pipe Shell	SA-106 Gr. B	0.280"	0.0625"	6.625"						1	None	1

Heads/ Tetes

Description	Material Matériau	Min. Thickn. Épais. minim.	Corr. Allow. Surép. Corr.	Crown. Radius Rayon couron.	Knuckle Radius Petit rayon	Ellipse Ratio Rapp. ellipse	Conical Apex Angle Angle conique	Hemisph. Radius Ray. Hémisph	Flat Diameter Diam.plat	Side to pressure Côte sous pression
6" Pipe Cap	SA-234-WPB	0.245"	0.0625"			2:1				Concave
6" Pipe Cap	SA-234-WPB	0.245"	0.0625"			2:1				Concave
Removable bolts used (describe other fastenings) <i>Boulons amovible utilisés (décrire tout autre attache)</i>					Mat'l Spec./ Spéc. du mat.			Grade		Size/ Dimension

Pressure - Temperature/ Pression - température

Pressure Vessel Part Partie de l'appareil	Constructed for max. allowable working pressure Construit pour une pression maximale de marche permise	At max. temp. A une temp. max.	Minimum design metal temp. Temp. min.	Test pressure (hydro-pneumatic or combination) Pression d'épreuve (hydro-pneumatique ou combinaison)
Scrubber	550 PSI	600 F	-20 F	825 PSI

Tube Section/ Faisceau tubulaire

Tube sheet/ Plaque tubulaire	Material/ Matériau	Diameter/ Diamètre	Nominal Thickness Épaisseur nominale	Corr. Allow. Surépais. corrosion	Attachment Mode d'attachement
Tube material/ Matériau des tubes	Diameter/ Diamètre	Nominal Thickness (gauge) Épaisseur nominale (calibre)	Number/ Nbre	Type (Straight or U) Type (Droit ou U)	Heating Surface Surface de chauffe

Jacket/ Chemise

Type of jacket/ Genre de chemise	Jacket closure Fermeture de chemise	Proof Test Pression d'épreuve	Heating Surface Surface de chauffe	Sketch/ Schéma
----------------------------------	--	----------------------------------	---------------------------------------	----------------

Safety Valve Outlets/ Soupapes de sûreté

Number/ Nombre	Dimension	Location/ Endroit
----------------	-----------	-------------------

Nozzles and Openings/ Tubulures et ouvertures

Purpose/ But	Number Nombre	Dimension	Type	Material Matériau	Nominal Thickness Épaisseur nominale	Reinforcement matériau Matériau de renfort	How attached Genre d'attaches	Location/ Endroit
Inlet C1	1	1 1/2"	3000# CPLG	SA-105N	0.2925"		UW-16.1(c)	Shell
Gas Out/Inspection C2	1	1 1/2"	3000# CPLG	SA-105N	0.2925"		UW-16.1(c)	Top Head
Drain C3	1	1"	Pipe	SA-106 Gr. B	0.179"		UW-16.1(c)	Bottom Head
Sight Glass C4A	1	1"	3000# TOL	SA-105N	0.2413"		UW-16.1(a)	Shell
Inspection C4B	1	1"	3000# TOL	SA-105N	0.2413"		UW-16.1(a)	Shell
Level Control C5	1	2"	3000# CPLG	SA-105N	0.2970"		UW-16.1(c)	Shell
High Level C6	1	2"	3000# CPLG	SA-105N	0.2970"		UW-16.1(c)	Shell

Supports/ Supports

Skirt/ Jupe Yes/ Oui No/ Non <input checked="" type="checkbox"/> <input type="checkbox"/>	Lugs/ Orelles No./ Nbre	Legs/ Pieds No./ Nbre	Other/ Autres (Description)	Attached/ Attaches (Where and How/ Méthode et endroit) Bottom Head By Welding
---	----------------------------	--------------------------	-----------------------------	--

Remarks/ Observations (Cubical capacity/ Volume)

Vessel Fabricated to Dwg # D-08-3145-0000-001 Rev. 0
 Vessel Volume = 1.3 cu. ft (0.04 cu. m)
 Vessel Impact Test Exempt per UG-20(f)

Certificate of Compliance/ Certificat de conformité

We certify that the statements made in this data report are correct and that the said vessel has been constructed in accordance with the Provincial Registered design below and the requirements of standard CSA B51.

Nous certifions que les données de la déclaration de conformité sont correctes et que l'appareil a été construit en accord avec l'enregistrement provincial ci-dessous et les exigences de la norme ACNOR B51.

Provincial Registered Design
 Enregistrement provincial OH8030.23

Manufacturer
 Constructeur Pyramid Process Fabricators

Signature [Signature] Date July 17/08
 (Representative)

Signature David Mansfield Date July 17/08
 (Certified Individual)

PRESSURE VESSELS

Data Collected By: _____		Entry Date: _____		Package ID # I-939	
Equipment Class: Dryer		Purchase Order # 4500213527			
Equipment Description: RIGHT DRYING TOWER			Tag No. V-140		
Facility: _____					
Location: LSD		Twp		Rge	
Cost Center: _____		Acquis Value		Acquis Date	
Equipment Status: _____		Ownership Status			
Manufacturer: PYRAMID MANUFACTURING		Year Built 2008			
Equipment Condition: _____		Model No. _____		Serial No. 08-3144-0000N	
Construction: _____					
Skid Weight: _____		Skid Size _____ (w x l x h)			
Common Characteristics					
Fluid Description: NATURAL GAS		Service Sweet		Code Stamp	
Prov. Reg. No.(A#): _____		CRN OH08027.23		# Phases 2	
Shell MAWP: 600 psig		@maxTemp		400 °F	
Shell Mat'l: SA-106 B		Shell Thick 0.337 in		Shell CA 0.0625 in	
Head Mat'l: _____		Head Thick _____		Head CA _____	
Nozzle Type: H CPLG/TOL		Nozzle Rtg CL 3000/6000		Ansi	
Nozzle Mat'l: SA-105 N		Nozzle Thick _____		Nozzle CA _____	
X-Ray: _____		# Manways _____		# Inspection Ports _____	
Volume: 0.41 ft ³		Design Flow _____		Stress Relief _____	
Diameter: 4.5 in		Length/Height 44 S/S		in	
Support Type: Other		Orientation Vertical			
Internal Coating: N		Internal Coating /Cladding Type			
Insulated: N		Insulation Thickness _____		Painted / Primed N	
Internals					
Component Type: _____		Manufacturer _____		Model _____	
Component Mat'l: _____		Component Size _____		Component CA _____	
Removable: _____					
Additional Characteristics for Treaters					
Treater Type _____		Desand System _____			
# Firetubes _____		Firetube S/N _____		Firetube Rating _____	
Material Transfer Information					
Transfer Recorded By: _____					Date _____
From LSD		Twp		Rge	
Transfer Yard _____					
To LSD		Twp		Rge	
Facility _____					Receiving AFE: _____
Additional Notes					
DRYING MEDIA: ACTIVATED ALUMINA SOLID (1/16 DIA.)					

ALBERTA MUNICIPAL AFFAIRS

ABSA, the pressure equipment safety authority
 9410 – 20th Avenue
 Edmonton, AB T6N 0A4

**MANUFACTURER'S DATA REPORT
 FOR MINIATURE PRESSURE VESSEL
 DÉCLARATION DE CONFORMITÉ DU CONSTRUCTEUR
 D'APPAREILS SOUS PRESSION**

RECEIVED AUG 01 2008

Upon shipment of a pressure vessel, this form fully and correctly filled in must be mailed to the office of the Chief Inspector in the province of installation in accordance with the regulations under the Act, governing the construction and installation of pressure vessels.

Au moment de l'expédition d'un appareil sous pression, ce formulaire complété correctement, doit être envoyé au bureau de l'inspecteur en chef de la province d'installation tel que prévu dans les règlements de la loi sur les appareils sous pression.

Manufactured by Construit par	Name and address of Manufacturer/ Nom et adresse du constructeur Pyramid Process Fabricators; 2308-8th Street, Nisku, Alberta, T9E 7Z2
Manufactured for Construit pour	Name and address of Purchaser or Consignee/ Nom et adresse du client ou de son représentant PC Compression; 2308-8th Street, Nisku, Alberta, T9E 7Z2
Ultimate owner Utilisateur	Name and address/ Nom et adresse
Location of installation Lieu d'installation	Name and address/ Nom et adresse

Pressure vessel/ Appareil

Type/ Genre Desiccant Bottle	Overall Length/Longueur totale 3'- 8"	Serial No./ N° de série 08-3144-0000N	Year built/Année de fabrication 2008
Provincial Registration No. – C.R.N./N° d'enregistrement provincial - N.E.C. OH8027.23			Drawing No./ N° de dessin B-06-2814-0000-001 Rev. 3

The chemical and physical properties of all parts meet the requirements of material specifications of the A.S.M.E. Code.
Les propriétés chimiques et physiques de toutes les composantes respectent les exigences des spécifications de matériaux de code ASME.

The design, construction and workmanship conform to CSA B51. <i>La conception, la construction et la façon sont conformes à ACNOR B51.</i>	ASME Section VIII	Division 1	Addenda/Supplément 2007	Code case No. N° de cas
Manufacturer's partial data reports properly identified and signed by authorized inspectors have been furnished for the following items of the report, and attached to this report: <i>Les rapports partiels du constructeur adéquatement identifiés et signés par les inspecteurs autorisés ont été produits pour les items suivants du rapport, et attachés à ce rapport:</i>				
Names of parts/ Nom de la composante	Item No./ N° d'item	Manufacturer's Name/ Nom du constructeur	Identifying Stamp/ Estampe d'identification	

Shell/ Virole

Description	Material Matériau	Thickness Épaisseur	Corr. Allow. Surépais. de corr.	Diameter Diamètre	Longitudinal Joints Joints longitudinaux			P.W.H.T. Traitement therm		Girth Joints Joints de circonférence		Number of courses Nombre de sections
					Type	R.T. Radiog.	Efficiency Efficacité	Temp.	Time Durée	Type	R.T. Radiog.	
4" Pipe Shell	SA-106 Gr. B	0.337"	0.0625"	4.5"						1	None	1

Heads/ Têtes

Description	Material Matériau	Min. Thickn. Épais min.	Corr. Allow. Surép. Corr.	Crown. Radius Rayon couron.	Knuckle Radius Petit rayon	Ellipse Ratio Rapp. ellipse	Conical Apex Angle Angle conique	Hemisph. Radius Ray. Hémisph	Flat Diameter Diam.plat	Side to pressure Côte sous pression
Removable bolts used (describe other fastenings) <i>Boulons amovible utilisés (décrire tout autre attache)</i>	Mat'l Spec./ Spéc. du mat.					Grade	Size/ Dimension			

Pressure - Temperature/ Pression - température

Pressure Vessel Part <i>Partie de l'appareil</i>	Constructed for max. allowable working pressure <i>Construit pour une pression maximale de marche permise</i>	At max. temp. <i>A une temp. max.</i>	Minimum design metal temp. <i>Temp. min.</i>	Test pressure (hydro-pneumatic or combination) <i>Pression d'épreuve (hydro-pneumatique ou combinaison)</i>
Desiccant Bottle	600 PSI	400 F	-20 F	780 PSI

Tube Section/ Faisceau tubulaire

Tube material/ <i>Matériau des tubes</i>	Diameter/ <i>Diamètre</i>	Nominal Thickness (gauge) / <i>Épaisseur nominale (calibre)</i>	Number/ <i>Nbre</i>	Type (Straight or U) / <i>Type (Droit ou U)</i>	Heating Surface / <i>Surface de chauffe</i>
Tubesheet/ <i>Plaque tubulaire</i>	Material/ <i>Matériau</i>	Diameter/ <i>Diamètre</i>	Nominal Thickness / <i>Épaisseur nominale</i>	Corr. Allow. / <i>Surépais. corrosion</i>	Attachment / <i>Mode d'attachement</i>

Jacket/ Chemise

Type of jacket/ <i>Genre de chemise</i>	Jacket closure / <i>Fermeture de chemise</i>	Proof Test / <i>Pression d'épreuve</i>	Heating Surface / <i>Surface de chauffe</i>	Sketch/ <i>Schéma</i>
---	--	--	---	-----------------------

Safety Valve Outlets/ Soupapes de sûreté

Number/ <i>Nombre</i>	Dimension	Location/ <i>Endroit</i>
-----------------------	-----------	--------------------------

Nozzles and Openings/ Tubulures et ouvertures

Purpose/ <i>But</i>	Number / <i>Nombre</i>	Dimension	Type	Material / <i>Matériau</i>	Nominal Thickness / <i>Épaisseur nominale</i>	Reinforcement material / <i>Matériau de renfort</i>	How attached / <i>Genre d'attaches</i>	Location/ <i>Endroit</i>
Gas Inlet/Inspection C1	1	2"	6000# CPLG	SA-105N	0.6095"		UW-16.1(c)	Open End of Shell
Gas Outlet/Inspection C2	1	2"	6000# CPLG	SA-105N	0.6095"		UW-16.1(c)	Open End of Shell
Sight Glass C3	1	1"	3000# TOL	SA-105N	0.2413"		UW-16.1(a)	Shell
TI C4	1	1"	3000# TOL	SA-105N	0.2413"		UW-16.1(a)	Shell

Supports/ Supports

Skirt/ <i>Jupe</i> Yes/ <i>Oui</i> No/ <i>Non</i> <input type="checkbox"/> <input checked="" type="checkbox"/>	Lugs/ <i>Oreilles</i> No./ <i>Nbre</i>	Legs/ <i>Pieds</i> No./ <i>Nbre</i>	Other/ <i>Autres</i> (Description)	Attached/ <i>Attaches</i> (Where and How/ <i>Méthode et endroit</i>)
--	---	--	------------------------------------	--

Remarks/ Observations (Cubical capacity/ Volume)

Vessel Fabricated to Dwg # B-08-3144-0000-001 Rev. 0
 Vessel Volume = 0.41 cu. ft (0.012 cu. m)
 Vessel Impact Test Exempt per UG-20(f)

Certificate of Compliance/ Certificat de conformité

We certify that the statements made in this data report are correct and that the said vessel has been constructed in accordance with the Provincial Registered design below and the requirements of standard CSA B51.

Nous certifions que les données de la déclaration de conformité sont correctes et que l'appareil a été construit en accord avec l'enregistrement provincial ci-dessous et les exigences de la norme ACNOR B51.

Provincial Registered Design
 Enregistrement provincial OH8027.23

Manufacturer
 Constructeur Pyramid Process Fabricators

Signature [Signature] Date July 24/08
 (Representative)

Signature David Mansfield Date July 24/08
 (Certified Individual)

PRESSURE VESSELS

Data Collected By: _____		Entry Date: _____		Package ID # I-939	
Equipment Class: Dryer		Purchase Order # 4500213527			
Equipment Description: LEFT DRYING TOWER			Tag No. V-130		
Facility: _____					
Location: LSD		Twp		Rge	
Cost Center: _____		Acquis Value		Acquis Date	
Equipment Status: _____		Ownership Status			
Manufacturer: PYRAMID MANUFACTURING			Year Built 2007		
Equipment Condition: _____		Model No. _____		Serial No. 07-3002-0000R	
Construction: _____					
Skid Weight: _____		Skid Size _____ (w x l x h)			
Common Characteristics					
Fluid Description: NATURAL GAS		Service Sweet		Code Stamp	
Prov. Reg. No.(A#): _____		CRN OH08027.23		# Phases 2	
Shell MAWP: 600 psig		@maxTemp		400 °F	
Shell Mat'l: SA-106 B		Shell Thick 0.337 in		Shell CA 0.0625 in	
Head Mat'l: _____		Head Thick _____		Head CA _____	
Nozzle Type: H CPLG/TOL		Nozzle Rtg CL 3000/6000		Ansi	
Nozzle Mat'l: SA-105 N		Nozzle Thick _____		Nozzle CA _____	
X-Ray: _____		# Manways _____		# Inspection Ports _____	
Volume: 0.41 ft ³		Design Flow _____		Stress Relief _____	
Diameter: 4.5 in		Length/Height 44 S/S in			
Support Type: Other		Orientation Vertical			
Internal Coating: N		Internal Coating /Cladding Type			
Insulated: N		Insulation Thickness _____		Painted / Primed N	
<i>Internals</i>					
Component Type: _____		Manufacturer _____		Model _____	
Component Mat'l: _____		Component Size _____		Component CA _____	
Removable: _____					
Additional Characteristics for Treaters					
Treater Type		Desand System			
# Firetubes		Firetube S/N		Firetube Rating	
Material Transfer Information					
Transfer Recorded By: _____					Date _____
From LSD		Twp		Rge	
Transfer Yard _____					
To LSD		Twp		Rge	
Facility _____					Receiving AFE: _____
Additional Notes					
DRYING MEDIA: ACTIVATED ALUMINA SOLID (1/16 DIA.)					

ALBERTA MUNICIPAL AFFAIRS

ABSA, the pressure equipment safety authority
 9410 - 20th Avenue
 Edmonton, AB T6N 0A4

**MANUFACTURER'S DATA REPORT
 FOR MINIATURE PRESSURE VESSEL
 DÉCLARATION DE CONFORMITÉ DU CONSTRUCTEUR
 D'APPAREILS SOUS PRESSION**

Upon shipment of a pressure vessel, this form fully and correctly filled in must be mailed to the office of the Chief Inspector in the province of installation in accordance with the regulations under the Act, governing the construction and installation of pressure vessels.

Au moment de l'expédition d'un appareil sous pression, ce formulaire complété correctement, doit être envoyé au bureau de l'inspecteur en chef de la province d'installation tel que prévu dans les règlements de la loi sur les appareils sous pression.

Manufactured by Construit par	Name and address of Manufacturer/ Nom et adresse du constructeur Pyramid Corporation; 2308-8th Street, Nisku, Alberta, T9E 7Z2
Manufactured for Construit pour	Name and address of Purchaser or Consignee/ Nom et adresse du client ou de son représentant PC Compression; 2308-8th Street, Nisku, Alberta, T9E 7Z2
Ultimate owner Utilisateur	Name and address/ Nom et adresse
Location of installation Lieu d'installation	Name and address/ Nom et adresse

Pressure vessel/ Appareil

Type/ Genre Desiccant Bottle	Overall Length/Longueur totale 3'- 8"	Serial No./ N° de série 07-3002-0000R	Year built/Année de fabrication 2007
Provincial Registration No. - C.R.N./N° d'enregistrement provincial - N.E.C. OH8027.23			Drawing No./ N° de dessin B-06-2814-0000-001 Rev. 3

The chemical and physical properties of all parts meet the requirements of material specifications of the A.S.M.E. Code.
Les propriétés chimiques et physiques de toutes les composantes respectent les exigences des spécifications de matériaux de code ASME.

The design, construction and workmanship conform to CSA B51. <i>La conception, la construction et la façon sont conformes à ACNOR B51.</i>	ASME Section VIII	Division 1	Addenda/Supplément 2006	Code case No. N° de cas
---	-----------------------------	----------------------	-----------------------------------	----------------------------

Manufacturer's partial data reports properly identified and signed by authorized inspectors have been furnished for the following items of the report, and attached to this report:
Les rapports partiels du constructeur adéquatement identifiés et signés par les inspecteurs autorisés ont été produits pour les items suivants du rapport, et attachés à ce rapport:

Names of parts/ Nom de la composante Item No./ N° d'item Manufacturer's Name/ Nom du constructeur Identifying Stamp/ Estampe d'identification

Shell/ Virole

Description	Material Matériau	Thickness Épaisseur	Corr. Allow. Surépais. de corr.	Diameter Diamètre	Longitudinal Joints Joints longitudinaux			P.W.H.T. Traitement therm		Girth Joints Joints de circonférence		Number of courses Nombre de sections
					Type	R.T. Radiog.	Efficiency Efficacité	Temp.	Time Durée	Type	R.T. Radiog.	
4" Pipe Shell	SA-106 Gr. B	0.337"	0.0625"	4.5"						1	None	1

Heads/ Tetes

Description	Material Matériau	Min. Thickn. Épais minim.	Corr. Allow. Surép. Corr.	Crown. Radius Rayon couron.	Knuckle Radius Petit rayon	Ellipse Ratio Rapp. ellipse	Conical Apex Angle Angle conique	Hemisph. Radius Ray. Hémisph	Flat Diameter Diam.plat	Side to pressure Côte sous pression

Removable bolts used (describe other fastenings) <i>Boulons amovible utilisés (décrire tout autre attache)</i>	Mat'l Spec./ Spéc. du mat.	Grade	Size/ Dimension
---	----------------------------	-------	-----------------

Pressure - Temperature/ Pression - température

Pressure Vessel Part Partie de l'appareil Desiccant Bottle	Constructed for max. allowable working pressure Construit pour une pression maximale de marche permise 600 PSI	At max. temp. A une temp. max. 400 F	Minimum design metal temp. Temp. min. -20 F	Test pressure (hydro-pneumatic or combination) Pression d'épreuve (hydro-pneumatique ou combinaison) 900 PSI
---	---	---	--	---

Tube Section/ Faisceau tubulaire

Tube material/ Matériau des tubes	Diameter/ Diamètre	Nominal Thickness (gauge) Épaisseur nominale (calibre)	Number/ Nbre	Type (Straight or U) Type (Droit ou U)	Heating Surface Surface de chauffe
Tubesheet/ Plaque tubulaire	Material/ Matériau	Diameter/ Diametre	Nominal Thickness Épaisseur nominale	Corr. Allow. Surépais. corrosion	Attachment Mode d'attachement

Jacket/ Chemise

Type of jacket/ Genre de chemise	Jacket closure Fermeture de chemise	Proof Test Pression d'épreuve	Heating Surface Surface de chauffe	Sketch/ Schéma
----------------------------------	-------------------------------------	-------------------------------	------------------------------------	----------------

Safety Valve Outlets/ Soupapes de sûreté

Number/ Nombre	Dimension	Location/ Endroit
----------------	-----------	-------------------

Nozzles and Openings/ Tubulures et ouvertures

Purpose/ But	Number Nombre	Dimension	Type	Material Matériau	Nominal Thickness Épaisseur nominale	Reinforcement material Matériau de renfort	How attached Genre d'attaches	Location/ Endroit
Gas Inlet/Inspection C1	1	2"	6000# CPLG	SA-105N	0.6095"		UW-16.1(c)	Open End of Shell
Gas Outlet/Inspection C2	1	2"	6000# CPLG	SA-105N	0.6095"		UW-16.1(c)	Open End of Shell
Sight Glass C3	1	1"	3000# TOL	SA-105N	0.2413"		UW-16.1(a)	Shell
TI C4	1	1"	3000# TOL	SA-105N	0.2413"		UW-16.1(a)	Shell

Supports/ Supports

Skirt/ Jupe Yes/ Oui No/ Non <input type="checkbox"/> <input checked="" type="checkbox"/>	Lugs/ Oreilles No./ Nbre	Legs/ Pieds No./ Nbre	Other/ Autres (Description)	Attached/ Attaches (Where and How/ Méthode et endroit)
---	-----------------------------	--------------------------	-----------------------------	---

Remarks/ Observations (Cubical capacity/ Volume)

Vessel Fabricated to Dwg # B-07-3002-0000-001 Rev. 0
 Vessel Volume = 0.41 cu. ft (0.012 cu. m)
 Vessel Impact Test Exempt per UG-20(f)

Certificate of Compliance/ Certificat de conformité

We certify that the statements made in this data report are correct and that the said vessel has been constructed in accordance with the Provincial Registered design below and the requirements of standard CSA B51.

Nous certifions que les données de la déclaration de conformité sont correctes et que l'appareil a été construit en accord avec l'enregistrement provincial ci-dessous et les exigences de la norme ACNOR B51.

Provincial Registered Design
 Enregistrement provincial OH8027.23

Manufacturer
 Constructeur Pyramid Corporation

Signature [Signature] Date 08/07/07
 (Representative)

Signature David Mansfield Date Aug. 8/07
 (Certified Individual)

Valve, Piping and Fitting

Data Collected By: _____		Entry Date: _____		Package ID # I-939	
Equipment Class: Safety Valve		Purchase Order # 4500213527			
Equipment Description: PRESSURE SAFETY VALVE				Tag No. PSV-1101	
Facility: _____					
Location: LSD		Sec		Twp	
		Rge		W/	
Cost Center: _____		Acquis Value		Acquis Date	
Equipment Status: _____		Ownership Status			
Manufacturer: MERCER VALVE CANADA		Year Built 2008			
Equipment Condition: _____		Model No. 9117D51V01E1		Serial No. 424347	
Construction: _____					
Skid Weight: _____		Skid Size		(w x l x h)	
Common Characteristics					
Fluid Description: NATURAL GAS		Service: Sweet		Pressure Rating: _____ Ansi	
CRN: OG8841.5C		Code Stamp: U		PP#: _____	
Piping Body Material: _____		Sched. Thick: _____		C.A.: _____	
Nominal Size: _____		Internal Coating: _____		Painted/Primed: _____	
Additional Characteristics for ESD Valve, Choke and Specialty Valve					
Design Valve Type: _____		MAWP: _____		MDMT: _____	
Trim: _____		Internal Material: _____		Actuator Type: _____	
Fire Safe: _____		WT Thickness: _____		Bonnet Design: _____	
Additional Characteristics for Safety Valves					
Capacity: 60 SCFM		Service Date: _____		Back Pressure: _____	
Set Press.: 15 psig		Pop Press.: _____		Bonnet Design: _____	
Inlet Size: 1 in		Outlet Size: 1 in		Trim Material: STANDARD	
Inlet Connection: M NPT		Outlet Connection: F NPT		AND PIPING	
Equip. Protected: V-110		S/N: 08-3145-0000C		AND PIPING	
Equip. Protected: P-610		S/N: 1602609			
Equip. Protected: _____		S/N: _____			
Equip. Protected: _____		S/N: _____			
Additional Characteristics for Rupture Disc					
Rupture Pressure: _____		Capacity: _____			
Disc Mat'l: _____		Equipment Protected: _____		S/N: _____	
		Equipment Protected: _____		S/N: _____	
Additional Characteristics for Piping and Manifold					
Design Pressure: _____		# Inlets: _____		Inlet Diameter: _____	
				Inlet Connection: _____	
# Outlets: _____		Outlet Diameter: _____		Outlet Connection: _____	
Additional Characteristics for Meter Run					
Type: _____		Recorder Man.: _____		Equipped with SCADA: _____	
Chart Recorder: _____		Straightening Vanes: _____			
Material Transfer Information					
Transfer Recorded By: _____					
From: LSD		Sec: _____		Date: _____	
		Twp: _____			
		Rge: _____			
		W/ _____			
Transfer Yard: _____					
To: LSD		Sec: _____		Receiving AFE: _____	
		Twp: _____			
		Rge: _____			
		W/ _____			
Facility: _____					
Additional Notes					

Ensure Package ID Number is Identified on ALL Individual Equipment Item Templates



BRANCH: Edmonton

Serial #: 424347 ✓

Work Order: 412205

Customer PO#: 510040

Date: 4/22/2008

Customer: PC COMPRESSION

Facility: NISKU

LSD:

PSV Location:

A#:

Cust Id:

Cust. Ref.:

Valve PO: 510040

VALVE DATA

Man.: Mercer

Model: 91-17D51V01E1

Serial: 424347

Conn: Threaded

Inlet: 1 inch MNPT

Orifice: .122

Outlet: 1 inch FNPT

Set Pres: 15 PSI ✓

Back Press: 0 PSI

Temp: 70 F

Cold/Diff Set Press: PSI

Cap: 60 SCFM ✓

Lift Lever:

Cap Assembly: Closed

Trim: Standard

Code Symbol: UV

CRN#: 0G8841.5C

CUSTOMER INSTRUCTIONS

Valve Instruct. Factory Set

Instructions: Sold New Valve

Reset Required?

RESET INFORMATION: *New Pressure:*

New Cold/Diff Set:

New Capacity:

COMPONENTS INSPECTION

Components Installed

Components Removed

New Model #:

Spring #: 05-001

New Inlet Size:

Trim: Standard

Valve Medium: Gas / Air

Temperature: 70 F

Disassembly:

Inspection: Richard Anderson

Reassembly:

FINAL TEST:

Test Medium:

Simmer:

Set Pressure:

Reseat:

Leakage: BPM

B.P. Test:

Cold/Diff Set:

Test Gauge:

Tested by:

FINAL INSPECTION:

SEAL Installed:

End Protectors Installed:

Painted:

Palletized:

Ship Container:

Flex Gaskets Supplied:

Final Inspection: Richard Anderson

Customer Inspection

INSPECTION ID#: 11825

Comments:

PC COMPRESSION	
DATE RECEIVED APR 23 2008	
P.O. #	510040
SIGNATURE:	SC
APPROVED BY Q.C. INSPECTOR	

Valve, Piping and Fitting

Data Collected By: _____		Entry Date: _____		Package ID # I-939	
Equipment Class: Safety Valve		Purchase Order # 4500213527			
Equipment Description: PRESSURE SAFETY VALVE				Tag No. PSV-2101	
Facility: _____					
Location: LSD		Sec		Twp	
		Rge		W/	
Cost Center: _____		Acquis Value _____		Acquis Date _____	
Equipment Status: _____		Ownership Status _____			
Manufacturer: MERCER VALVE CANADA		Year Built 2007			
Equipment Condition: _____		Model No. 9117D51V07E1		Serial No. 462892	
Construction: _____					
Skid Weight: _____		Skid Size _____		(w x l x h)	
Common Characteristics					
Fluid Description: NATURAL GAS		Service: Sweet		Pressure Rating _____ Ansi	
CRN: OG8841.5C		Code Stamp U		PP# _____	
Piping Body Material _____		Sched. Thick _____		C.A. _____	
Nominal Size _____		Internal Coating _____		Painted/Primed _____	
Additional Characteristics for ESD Valve, Choke and Specialty Valve					
Design Valve Type _____		MAWP _____		MDMT _____	
Trim _____		Internal Material _____		Actuator Type _____	
Fire Safe _____		WT Thickness _____		Bonnet Design _____	
Additional Characteristics for Safety Valves					
Capacity: 329 SCFM		Service Date _____		Back Pressure _____	
Set Press.: 150 psig		Pop Press. _____		Bonnet Design _____	
Inlet Size: 1 in		Outlet Size: 1 in		Trim Material STANDARD	
Inlet Connection: M NPT		Outlet Connection: F NPT			
Equip. Protected: C-210		S/N: G.43351		AND PIPING	
Equip. Protected: E-510		S/N: 704144038		AND PIPING	
Equip. Protected: V-120		S/N: 08-3171-0000D		AND PIPING	
Equip. Protected: _____		S/N: _____			
Additional Characteristics for Rupture Disc					
Rupture Pressure _____		Capacity _____			
Disc Mat'l _____		Equipment Protected _____		S/N _____	
		Equipment Protected _____		S/N _____	
Additional Characteristics for Piping and Manifold					
Design Pressure _____		# Inlets _____		Inlet Diameter _____	
				Inlet Connection _____	
# Outlets _____		Outlet Diameter _____		Outlet Connection _____	
Additional Characteristics for Meter Run					
Type _____		Recorder Man. _____		Equipped with SCADA _____	
Chart Recorder _____		Straightening Vanes _____			
Material Transfer Information					
Transfer Recorded By: _____					
From: LSD		Sec		Twp	
		Rge		W/	
Transfer Yard _____		Date _____			
To: LSD		Sec		Twp	
		Rge		W/	
Facility _____		Receiving AFE _____			
Additional Notes					

Ensure Package ID Number is Identified on ALL Individual Equipment Item Templates



**UNIFIED
VALVE LTD.**

MERCER VALVE INSPECTION AND TEST REPORT

BRANCH: Edmonton

Serial #: 462892 ✓

Work Order: 413273

Customer PO#: 511050

Date: 10/15/2008

Customer: PC COMPRESSION

Facility: NISKU

LSD:

PSV Location:

A#:

Cust Id:

Cust. Ref.:

Valve PO: 511050

VALVE DATA

Man.: Mercer

Model: 91-17D51V07E1

Serial: 462892

Conn: Threaded

Inlet: 1 inch MNPT

Orifice: .122

Outlet: 1 inch FNPT

Set Pres: 150 PSI

Back Press: 0 PSI

Temp: 70 F

Cold/Diff Set Press: PSI

Cap: 329 SCFM

Lift Lever:

Cap Assembly: Closed

Trim: Standard

Code Symbol: UV

CRN#: 0G8841.5C

CUSTOMER INSTRUCTIONS

Valve Instruct. Factory Set

Instructions: Sold New Valve

Reset Required?

RESET INFORMATION: *New Pressure:*

New Cold/Diff Set:

New Capacity:

COMPONENTS INSPECTION

Components Installed

Components Removed

New Model #:

Spring #: 05-007

New Inlet Size:

Trim: Standard

Valve Medium: Gas / Air

Temperature: 70 F

Disassembly:

Inspection: Richard Anderson

Reassembly:

FINAL TEST:

Test Medium:

Simmer:

Set Pressure:

Reseat:

Leakage: BPM

B.P. Test:

Cold/Diff Set:

Test Gauge:

Tested by:

FINAL INSPECTION:

SEAL Installed:

End Protectors Installed:

Painted:

Palletized:

Ship Container:

Flex Gaskets Supplied:

Final Inspection: Richard Anderson

Customer Inspection

INSPECTION ID#: 12843

Comments:

RECEIVED OCT 15 2008

Valve, Piping and Fitting

Data Collected By: _____		Entry Date: _____		Package ID # I-939	
Equipment Class: Safety Valve		Purchase Order # 4500213527			
Equipment Description: PRESSURE SAFETY VALVE				Tag No. PSV-1401	
Facility: _____					
Location: LSD		Sec		Twp	
		Rge		W/	
Cost Center: _____		Acquis Value _____		Acquis Date _____	
Equipment Status: _____		Ownership Status _____			
Manufacturer: MERCER VALVE CANADA		Year Built 2007			
Equipment Condition: _____		Model No. 9117D51V06E1		Serial No. 462422	
Construction: _____					
Skid Weight: _____		Skid Size _____		(w x l x h)	
Common Characteristics					
Fluid Description: NATURAL GAS		Service: Sweet		Pressure Rating: _____ Ansi	
CRN: OG8841.5C		Code Stamp: U		PP#: _____	
Piping Body Material: _____		Sched. Thick: _____		C.A.: _____	
Nominal Size: _____		Internal Coating: _____		Painted/Primed: _____	
Additional Characteristics for ESD Valve, Choke and Specialty Valve					
Design Valve Type: _____		MAWP: _____		MDMT: _____	
Trim: _____		Internal Material: _____		Actuator Type: _____	
Fire Safe: _____		WT Thickness: _____		Bonnet Design: _____	
Additional Characteristics for Safety Valves					
Capacity: 188 SCFM		Service Date: _____		Back Pressure: _____	
Set Press.: 80 psig		Pop Press.: _____		Bonnet Design: _____	
Inlet Size: 1 in		Outlet Size: 1 in		Trim Material: STANDARD	
Inlet Connection: M NPT		Outlet Connection: F NPT		AND DISCHARGE PIPING	
Equip. Protected: FM-1401		S/N: 820395			
Equip. Protected: _____		S/N: _____			
Equip. Protected: _____		S/N: _____			
Equip. Protected: _____		S/N: _____			
Additional Characteristics for Rupture Disc					
Rupture Pressure: _____		Capacity: _____			
Disc Mat'l: _____		Equipment Protected: S/N _____			
		Equipment Protected: S/N _____			
Additional Characteristics for Piping and Manifold					
Design Pressure: _____		# Inlets: _____		Inlet Diameter: _____	
				Inlet Connection: _____	
# Outlets: _____		Outlet Diameter: _____		Outlet Connection: _____	
Additional Characteristics for Meter Run					
Type: _____		Recorder Man.: _____		Equipped with SCADA: _____	
Chart Recorder: _____		Straightening Vanes: _____			
Material Transfer Information					
Transfer Recorded By: _____					
From: LSD		Sec: _____		Date: _____	
		Twp: _____			
		Rge: _____			
		W/ _____			
Transfer Yard: _____					
To: LSD		Sec: _____		Receiving AFE: _____	
		Twp: _____			
		Rge: _____			
		W/ _____			
Facility: _____					
Additional Notes					

Ensure Package ID Number is Identified on ALL Individual Equipment Item Templates



BRANCH: Edmonton

Serial #: 462422 ✓

Work Order: 413273

Customer PO#: 511050

Date: 10/15/2008

Customer: PC COMPRESSION

Facility: NISKU

LSD:

PSV Location:

A#:

Cust Id:

Cust. Ref.:

Valve PO: 511050

VALVE DATA

Man.: Mercer

Model: 91-17D51V06E1

Serial: 462422

Conn: Threaded

Inlet: 1 inch MNPT

Orifice: .122

Outlet: 1 inch FNPT

Set Pres: 80 PSI

Back Press: 0 PSI

Temp: 70 F

Cold/Diff Set Press: PSI

Cap: 188 SCFM

Lift Lever:

Cap Assembly: Closed

Trim: Standard

Code Symbol: UV

CRN#: 0G8841.5C

CUSTOMER INSTRUCTIONS

Valve Instruct. Factory Set

Instructions: Sold New Valve

Reset Required?

RESET INFORMATION: *New Pressure:*

New Cold/Diff Set:

New Capacity:

COMPONENTS INSPECTION

Components Installed

Components Removed

New Model #:

Spring #: 05-006

New Inlet Size:

Trim: Standard

Valve Medium: Gas / Air

Temperature: 70 F

Disassembly:

Inspection: Richard Anderson

Reassembly:

FINAL TEST:

Test Medium:

Simmer:

Set Pressure:

Reseat:

Leakage: BPM

B.P. Test:

Cold/Diff Set:

Test Gauge:

Tested by:

FINAL INSPECTION:

SEAL Installed:

End Protectors Installed:

Painted:

Palletized:

Ship Container:

Flex Gaskets Supplied:

Final Inspection: Richard Anderson

Customer Inspection

INSPECTION ID#: 12834

Comments:

RECEIVED OCT 15 2008

**PRESSURE VESSELS
HEAT EXCHANGERS AND CONDENSERS**

Data Collected By: _____		Entry Date: _____		Package ID # I-939	
Equipment Class: Air Cooled ▼		Purchase Order # 4500213527			
Equipment Description: AIR COOLED EXCHANGER			Tag No. E-510		
Facility: _____					
Location: LSD ▼ Sec ▼		Twp ▼ Rge ▼		W/ ▼	
Cost Center: _____		Acquis Value _____		Acquis Date _____	
Equipment Status: _____ ▼			Ownership Status _____ ▼		
Manufacturer: GLOBAL HEAT TRANSFER			Year Built 2007		
Equipment Condition: _____ ▼		Model No. GHT-490		Serial No. 704144038	
Construction: _____ ▼			Purchase Order # _____		
Skid Weight: _____ ▼		Skid Size _____		(w x l x h)	
Common Characteristics					
Fluid Description: NATURAL GAS		Service Sweet ▼		Code Stamp _____ ▼	
Prov. Reg. No.(A#): _____		CRN OH7426.213			
Shell MAWP: 302 psig ▼		@maxTem 350 °F ▼		MDMT -20 ▼	
Shell Mat'l: _____		Shell Thick _____ ▼		Shell CA _____ ▼	
Head Mat'l: ALLUMINUM		Head Thick 0.25 in ▼		Head CA _____ ▼	
Nozzle Type: _____		Nozzle Rtg Ansi			
Nozzle Mat'l: _____		Nozzle Thick _____ ▼		Nozzle CA _____ ▼	
X-Ray: _____ ▼				Stress Relief _____ ▼	
# Manways: _____		#Inspect.ports _____			
Volume: _____ ▼		Design Flow _____ ▼			
Diameter: _____ ▼		Length/Height _____ ▼			
Support Type: _____ ▼		Orientation _____ ▼			
Internal Coating: _____ ▼		Internal Coating /Cladding Type _____			
Insulated: _____ ▼		Insulation Thickness _____ ▼		Painted / Primed _____ ▼	
Additional Characteristics for Condenser, Shell&Tube Exchanger, and Air Cooled Exchanger					
TEMA Nomenclature _____		Shell Side Fluid _____		Service _____ ▼	
# Passes _____		#Banks _____		Tube Side Fluid _____	
Tube MAWP _____ ▼		@max Temp _____ ▼		TubeMDMT _____ ▼	
Tube Mat'l _____		Tube Thick _____ ▼		Tube CA _____ ▼	
Channel or Header Box Material _____		Thickness _____ ▼		CA _____ ▼	
Additional Characteristics for Plate and Spiral Coil Exchangers					
Hot Side Fluid _____		Description _____		Service _____ ▼	
Cold Side Fluid _____		Description _____		Service _____ ▼	
Plate/Coil Mat'l _____		Plt/Coil Thick _____ ▼		Plate/Coil CA _____ ▼	
Material Transfer Information					
Transfer Recorded By: _____					Date _____
From LSD ▼ Sec ▼		Twp ▼ Rge ▼		W/ ▼	
Transfer Yard _____					
To LSD ▼ Sec ▼		Twp ▼ Rge ▼		W/ ▼	
Facility _____			Receiving AFE: _____		
Additional Notes					

Ensure Package ID Number is Identified on ALL Individual Equipment Templates

ALBERTA MUNICIPAL AFFAIRS
 ABSA – the pressure equipment authority
 200, 4208 - 97 Street
 Edmonton AB T6E 5Z9

**MASTER
 COPY**
 RECEIVED JUN 17 2007

**MANUFACTURER'S DATA REPORT
 FOR MINIATURE PRESSURE VESSEL
 DÉCLARATION DE CONFORMITÉ DU CONSTRUCTEUR
 D'APPAREILS SOUS PRESSION**

Upon shipment of a pressure vessel, this form fully and correctly filled in must be mailed to the office of the Chief Inspector in the province of installation in accordance with the regulations under the Act, governing the construction and installation of pressure vessels.

Au moment de l'expédition d'un appareil sous pression, ce formulaire complété correctement, doit être envoyé au bureau de l'inspecteur en chef de la province d'installation tel que prévu dans les règlements de la loi sur les appareils sous pression.

Manufactured by <i>Construit par</i>	Name and address of Manufacturer/ <i>Nom et adresse du constructeur</i> GLOBAL HEAT TRANSFER LTD. 7716-67 STREET, EDMONTON, ALBERTA
Manufactured for <i>Construit pour</i>	Name and address of Purchaser or Consignee/ <i>Nom et adresse du client ou de son représentant</i> UNKNOWN
Ultimate owner <i>Utilisateur</i>	Name and address/ <i>Nom et adresse</i> UNKNOWN
Location of installation <i>Lieu d'installation</i>	Name and address/ <i>Nom et adresse</i> UNKNOWN

Pressure vessel/ Appareil

Type/ <i>Genre</i> Category H Pressure Fitting (NK60)	Overall Length/ <i>Longueur totale</i> 513mm	Serial No./ <i>N° de série</i> (490JUN07D) ✓704126031, ✓704134032, ✓704134033, ✓704134034, ✓704134035, ✓704134036, ✓704134037, ✓704134039, ✓704144040, ✓704144038	Year built/ <i>Année de fabrication</i> 2007
Provincial Registration No. – C.R.N./ <i>N° d'enregistrement provincial - N.E.C.</i> OH 7426.213			Drawing No./ <i>N° de dessin</i> 21-71000 Rev. 4

The chemical and physical properties of all parts meet the requirements of material specifications of the A.S.M.E. Code.
 Les propriétés chimiques et physiques de toutes les composantes respectent les exigences des spécifications de matériaux de code ASME.

The design, construction and workmanship conform to CSA B51. <i>La conception, la construction et la façon sont conformes à ACNOR B51.</i>	ASME Section VIII	Division 1	Addenda/ <i>Supplément</i> 2006	Code case No. <i>N° de cas</i>
---	----------------------	---------------	------------------------------------	-----------------------------------

Manufacturer's partial data reports properly identified and signed by authorized inspectors have been furnished for the following items of the report, and attached to this report:
 Les rapports partiels du constructeur adéquatement identifiés et signés par les inspecteurs autorisés ont été produits pour les items suivants du rapport, et attachés à ce rapport:

Names of parts/ <i>Nom de la composante</i>	Item No./ <i>N° d'item</i>	Manufacturer's Name/ <i>Nom du constructeur</i>	Identifying Stamp/ <i>Estampe d'identification</i>

Shell/ Virole

Description	Material <i>Matériau</i>	Thickness <i>Épaisseur</i>	Corr. Allow. <i>Surépais. de corr.</i>	Diameter <i>Diamètre</i>	Longitudinal Joints <i>Joints longitudinaux</i>			P.W.H.T. <i>Traitement therm</i>		Girth Joints <i>Joints de circonférence</i>		Number of courses <i>Nombre de sections</i>
					Type	R.T. <i>Radiog.</i>	Efficiency <i>Efficacité</i>	Temp.	Time <i>Durée</i>	Type	R.T. <i>Radiog.</i>	

Heads/ Têtes

Description	Material <i>Matériau</i>	Min. Thickn. <i>Épais. minim.</i>	Corr. Allow <i>Surép. Corr.</i>	Crown Radius <i>Rayon couron.</i>	Knuckle Radius <i>Petit rayon</i>	Ellipse Ratio <i>Rapp. ellipse</i>	Conical Apex Angle <i>Angle conique</i>	Hemisph. Radius <i>Ray. Hémisph</i>	Flat Diameter <i>Diam. plat</i>	Side to pressure <i>Côte sous pression</i>
57.2mm (2.25") channel	SB 221 6061 T6	6.4mm (.25")	n/a	n/a	n/a	n/a	n/a	n/a	n/a	n/a
end cap	SB 209 6061 T6	6.4mm (.25")	n/a	n/a	n/a	n/a	n/a	n/a	n/a	n/a

Removable bolts used (describe other fastenings) <i>Boulons amovible utilisés (décrire tout autre attache)</i>	Mat'l Spec./ <i>Spéc. du mat.</i>	Grade	Size/ <i>Dimension</i>
---	-----------------------------------	-------	------------------------

Pressure - Temperature/ Pression - température

Pressure Vessel Part <i>Partie de l'appareil</i>	Constructed for max. allowable working pressure <i>Construit pour une pression maximale de marche permise</i> 302 psi	At max. temp. <i>A une temp. max.</i> 350 F	Minimum design metal temp. <i>Temp. min.</i> -20F	Test pressure (hydro-pneumatic or combination) <i>Pression d'épreuve (hydro-pneumatique ou combinaison)</i> 512 psi (hydro)
---	---	---	---	---

490JUN07D

Tube Section/ Faisceau tubulaire

Tubesheet/ Plaque tubulaire	Material/ Matériau	Diameter/ Diamètre	Nominal Thickness Épaisseur nominale	Corr. Allow. Surépais. corrosion	Attachment Mode d'attachement
Tube material/ Matériau des tubes SB 221 / SB 209 3003	Diameter/ Diamètre n/a	Nominal Thickness (gauge) Épaisseur nominale (calibre) n/a	Number/ Nbre n/a	Type (Straight or U) Type (Droit ou U) n/a	Heating Surface Surface de chauffe n/a

Jacket/ Chemise

Type of jacket/ Genre de chemise	Jacket closure Fermeture de chemise	Proof Test Pression d'épreuve	Heating Surface Surface de chauffe	Sketch/ Schéma
----------------------------------	--	----------------------------------	---------------------------------------	----------------

Safety Valve Outlets/ Soupapes de sûreté

Number/ Nombre	Dimension	Location/ Endroit
----------------	-----------	-------------------

Nozzles and Openings/ Tubulures et ouvertures

Purpose/ But	Number Nombre	Dimension	Type	Material Matériau	Nominal Thickness Épaisseur nominale	Reinforcement matériau Matériau de renfort	How attached Genre d'attaches	Location/ Endroit
inlet/outlet	4	.5" NPT	half coupling	SB 221 6081 T6	.3"	n/a	welder	tank face and ends

Supports/ Supports

Skirt/ Jupe Yes/ Oui No/ Non <input type="checkbox"/> <input type="checkbox"/>	Lugs/ Oreilles No./ Nbre	Legs/ Pieds No./ Nbre	Other/ Autres (Description) side brackets	Attached/ Attaches (Where and How/ Méthode et endroit) welded
--	-----------------------------	--------------------------	--	---

Remarks/ Observations (Cubical capacity/ Volume)

--

Certificate of Compliance/ Certificat de conformité

We certify that the statements made in this data report are correct and that the said vessel has been constructed in accordance with the Provincial Registered design below and the requirements of standard CSA B51.

Nous certifions que les données de la déclaration de conformité sont correctes et que l'appareil a été construit en accord avec l'enregistrement provincial ci-dessous et les exigences de la norme ACNOR B51.

Provincial Registered Design
Enregistrement provincial OH 7426.213

Manufacturer
Constructeur GLOBAL HEAT TRANSFER LTD

Signature _____ Date _____
(Representative)

Signature _____ Date _____
(Certified Individual)

49034207D

ROTATING MECHANICAL PUMPS

Data Collected By: _____		Entry Date: _____		Package ID # I-939	
Equipment Class _____		Purchase Order # 4500213527			
Equipment Description: PUMP		Tag No. P-610			
Facility: _____					
Location: LSD _____		Sec _____	Twp _____	Rge _____	W/ _____
Cost Center: _____		Acquis Value _____		Acquis Date _____	
Equipment Status: _____		Ownership Status _____			
Manufacturer: SANDPIPER		Year Built 2007			
Equipment Condition: _____		Model No. PCC5, GABTXNSX		Serial No. 1602609	
Construction: _____					
Skid Weight: _____		Skid Size _____ (w x l x h)			
Common Characteristics					
Fluid Description NAT. GAS/LIQUID		Service Sweet		Orientation Horizontal	
Design Cap 15 gpm		Min.Suct.Head _____			
Driven By Motor		Pump MAWP 100 psig		Pump HP Rating _____	
Rated Head _____		Rotation _____		(viewed from Drive End)	
# Stages _____		Max Frame Speed _____ RPM		Belt Size _____	
Sheave Type _____		Sheave Size _____		Belt Size _____	
Additional Characteristics for Reciprocating Pumps					
# Cylinders _____		Plunger Size _____		Stroke _____	
Valve Manufacturer _____ Liner _____					
Additional Characteristics for Rotary Pumps					
Rotary Pump Type _____		Rotor Mount _____			
Additional Characteristics for Centrifugal Pumps					
Casing Type _____					
Csg MAWP _____		Csg Mat'l _____		Internal Coating _____	
Additional Characteristics for Controlled Volume Pumps					
# Cylinders _____		Displacement _____			
Material Transfer Information					
Transfer Recorded By: _____				Date _____	
From LSD _____		Sec _____	Twp _____	Rge _____	W/ _____
Transfer Yard _____					
To LSD _____		Sec _____	Twp _____	Rge _____	W/ _____
Facility _____				Receiving AFE: _____	
Additional Notes					

Ensure Package ID Number is Identified on ALL Individual Equipment Item Templates

ELECTRICAL

Data Collected By: _____		Entry Date _____	Package ID# I-939
Equipment Class _____		Purchase Order # 4500213527	
Equipment Description: DRYER SWITCHING PANEL		Tag No. _____	
Facility: _____			
Location: LSD _____	Sec _____	Twp _____	Rge _____ W/ _____
Cost Center: _____		Acquis Value _____	Acquis Date _____
Equipment Status: _____		Ownership Status _____	
Manufacturer: HOFFMAN / PYRAMID CORPORATION		Year Built 2007	
Equipment Condition: _____		Catalog No. CSD12126W	Serial No. _____
Construction: _____		QPS Certified: QCC-44107	
Skid Weight: _____		Skid Size _____ (w x l x h)	
Common Characteristics			
Size / HP Rating: _____		Service _____	
Elec. Class: CLASS I	Elec. Division DIV II		Elec Group _____
Primary Voltage: _____	Primary Current _____		Winding Config. _____
No. of Phases: _____	Frequency _____		
Current: _____	Enclosure Style _____		Enclosure Class _____
Operating Temp.: _____			
Additional Characteristics for MCC and Switchgear			
Main / Horizontal Bus _____	Material _____	Rating _____	
Vertical Bus _____	Material _____	Rating _____	
Enclosure EEMAC: _____			
Main Breaker Size: _____	Metering _____		Starter _____
Additional Characteristics for Transformers			
Secondary Voltage: _____	Secondary Current _____		Winding Config. _____
Power Factor: _____	Efficiencies _____		
Rating: _____	Tap Voltages: _____	Insulating Liquid _____	Excitation _____
Additional Characteristics for UPS Systems			
kVA Rating: _____	Input Voltage _____	Output Voltage _____	
Material Transfer Information			
Transfer Recorded By: _____		Date _____	
From LSD _____	Sec _____	Twp _____	Rge _____ W/ _____
Transfer Yard _____			
To LSD _____	Sec _____	Twp _____	Rge _____ W/ _____
Facility _____		Receiving AFE: _____	
Additional Notes			

Ensure Package ID Number is Identified on ALL Individual Equipment Item Templates