

HDMS

TEAM

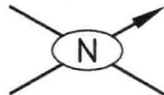
Industrial Services

Inspection Services Canada

Nonker

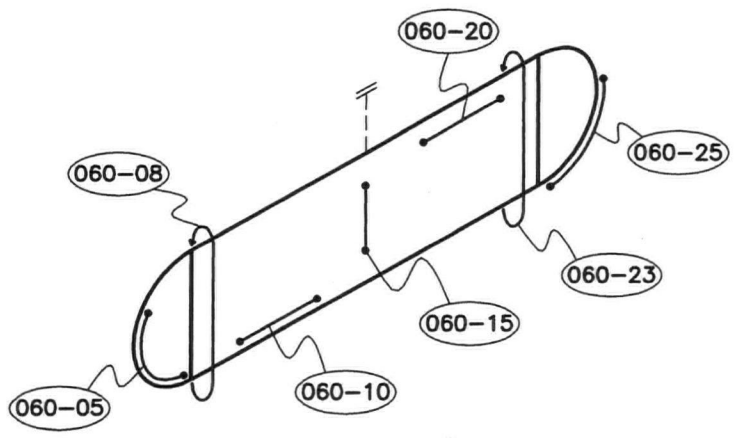
EQ# 66172228

10801043



10405670

P&ID. #	_____
REF. #	_____



[Signature]

Oct. 30/09

- CAN ONLY BE INSPECTED BY UT
- NO ISSUES.
- 6 YEAR INTERVAL

VESSEL DATA

P.E. No.	N/S	Serial No.	00-742	Prov. Reg. No.	A0457111	C.R.N.	9454.213
MFR.	IVF INTERNATIONAL	Code/Div.	N/S	Para	N/S	Code Stamp	UW
Yr. Bt.	2000	Yr. Inst.	N/S	Size	12"DIA. X 44"W/W	Service	N/S
						PWHT	YES
						RT	1
						Insulated	NO
						Repairs	
						Reason	
						Reason	

Nominal Thickness & Material

Head:	0.750"	Mat'l:	SA-516-70N	C.A.:	N/S
Head:					
Shell:	0.737"		SA-106-C		N/S
Shell:					
Chan Hd:					
Chan Sh:					
Boot Hd:					
Boot Sh:					
MAWP Shell Side	1745PSI	© Temp.	300°F		
MAWP Tube Side		© Temp.			

EXXON MOBIL
 PINE CREEK COMPRESSOR STATION
 LSD 06-22-057-20W5M

BLOWCASE

TECH.:	A.C.	REV. DATE:	2009/08	DWG DATE:	2003/03
CAD:	K.D.	REVISION:	1	DRAWING:	060

EXXON MOBIL
 PINE CREEK COMPRESSOR STATION - (007)
 AREA #1 - (01)

TEAM Industrial Services

Item Desc.: BLOWCASE	Lsd: 06-22-057-20W5M
Prov. Reg.: A0457111	Equip. No.: ----- Ser. No.: 00-742
SKID No.	PSV No.: Last VE Date

Description: SOUTH HEAD T-B **CML: 060-05**

Nominal:	0.750	C.A. as per	C.A. L.F.L.:	0.000	Con't Service:	YES
t Min.:	--	Not Stated	L.F.L.:	0.750	Insp. Intv.	12
C.A. Calc.:	--		Mths. To L.F.L.:	48	Add'l Assm't:	NO

Survey Dates: 2003-03 2009-08

Reading 01:	0.856	0.844	_____
Reading 02:	0.842	0.842	_____
Reading 03:	0.848	0.846	_____
Reading 04:	0.849	0.849	_____
Reading 05:	0.846	0.834	_____
Reading 06:	0.837	0.917	_____
Reading 07:		0.958	_____

Data Evaluation

Lowest Reading	:	0.837	0.834
Average - Low 3	:	0.842	0.840
Thk.Rem. Above LFL	:	0.087	0.084
Indv. Short Term Rate (in/yr)	:		0.002
Short Term Rate (in/yr)	:		0.000
LongTerm Rate (in/yr)	:		

Comments:
 2009/08 - NO CORROSION EVIDENT. RDG #7 TAKEN @ WELD.
 - CMLS #060-08 & 060-23 ADDED.

EXXON MOBIL
 PINE CREEK COMPRESSOR STATION - (007)
 AREA #1 - (01)

TEAM Industrial Services

Item Desc.:	BLOWCASE	Equip. No.:	-----	Lsd:	06-22-057-20W5M
Prov. Reg.:	A0457111	PSV No.:		Ser. No.:	00-742
SKID No.:				Last VE Date	

Description: SOUTH SHELL CIRC T-E-B-W

CML: 060-08

Nominal:	0.737	C.A. as per		C.A. L.F.L.:	0.000	Con't Service:	YES
t Min.:	--	Not Stated		L.F.L.:	0.737	Insp. Intv.:	12
C.A. Calc.:	--			Mths. To L.F.L.:		Add'l Assm't:	YES

Survey Dates: 2009-08

Reading 01:	0.825	_____
Reading 02:	0.850	_____
Reading 03:	0.859	_____
Reading 04:	0.809	_____
Reading 05:	0.824	_____
Reading 06:	0.835	_____
Reading 08:	0.833	_____
Reading 09:	0.828	_____
Reading 10:	0.805	_____
Reading 11:	0.808	_____
Reading 12:	0.837	_____

Data Evaluation

Lowest Reading	:	0.805
Average - Low 3	:	0.807
Thk.Rem. Above LFL	:	0.068
Indv. Short Term Rate (in/yr)	:	
Short Term Rate (in/yr)	:	
LongTerm Rate (in/yr)	:	

Comments:
 2009/08 - NO ACCESS TO BTM SHELL DUE TO NOZZLE REPADDS.

EXXON MOBIL
 PINE CREEK COMPRESSOR STATION - (007)
 AREA #1 - (01)

TEAM Industrial Services

Item Desc.: BLOWCASE	Lsd: 06-22-057-20W5M	
Prov. Reg.: A0457111	Equip. No.: -----	Ser. No.: 00-742
SKID No.	PSV No.:	Last VE Date

Description: BTM SHELL S-N **CML: 060-10**

Nominal:	0.737	<u>C.A. as per</u>	C.A. L.F.L.:	0.000	Con't Service: YES
t Min.:	--	Not Stated	L.F.L.:	0.737	Insp. Intv. 12
C.A. Calc.:	--		Mths.To L.F.L.:	48	Add'l Assm't: NO

Survey Dates: 2003-03 2009-08

Reading 01:	0.807	0.812	_____
Reading 02:	0.823	0.813	_____
Reading 03:	0.821	0.812	_____
Reading 04:	0.813	0.814	_____
Reading 05:	0.814	0.814	_____
Reading 06:	0.812	0.813	_____
Reading 07:		0.943	_____

Data Evaluation

Lowest Reading	:	0.807	0.812
Average - Low 3	:	0.811	0.812
Thk.Rem. Above LFL	:	0.070	0.075
Indv. Short Term Rate (in/yr)	:		0.002
Short Term Rate (in/yr)	:		0.000
LongTerm Rate (in/yr)	:		

Comments:

2009/08 - RDG #7 TAKEN @ WELD.
 - NO CORROSION EVIDENT. NO ACCESS TO BTM SHELL DUE TO NOZZLE REPADDS.

Description: MID SIDE SHELL T-B **CML: 060-15**

Nominal:	0.737	<u>C.A. as per</u>	C.A. L.F.L.:	0.000	Con't Service: YES
t Min.:	--	Not Stated	L.F.L.:	0.737	Insp. Intv. 12
C.A. Calc.:	--		Mths.To L.F.L.:	48	Add'l Assm't: NO

Survey Dates: 2003-03 2009-08

Reading 01:	0.820	0.852	_____
Reading 02:	0.816	0.876	_____
Reading 03:	0.820	0.831	_____
Reading 04:	0.821	0.820	_____
Reading 05:	0.816	0.813	_____
Reading 06:	0.814	0.835	_____

Data Evaluation

Lowest Reading	:	0.814	0.813
Average - Low 3	:	0.815	0.821
Thk.Rem. Above LFL	:	0.077	0.076
Indv. Short Term Rate (in/yr)	:		0.000
Short Term Rate (in/yr)	:		0.000
LongTerm Rate (in/yr)	:		

Comments:

2009/08 - NO CORROSION EVIDENT.

EXXON MOBIL
 PINE CREEK COMPRESSOR STATION - (007)
 AREA #1 - (01)

TEAM Industrial Services

Item Desc.:	BLOWCASE	Lsd:	06-22-057-20W5M
Prov. Reg.:	A0457111	Equip. No.:	-----
SKID No.:		PSV No.:	
		Ser. No.:	00-742
		Last VE Date	

Description: TOP SHELL S-N CML: 060-20

Nominal:	0.737	C.A. as per		C.A. L.F.L.:	0.000	Con't Service:	YES
t Min.:	--	Not Stated		L.F.L.:	0.737	Insp. Intv.:	12
C.A. Calc.:	--			Mths. To L.F.L.:	48	Add'l Assm't:	NO

Survey Dates: 2003-03 2009-08

Reading 01:	0.814	0.820	_____
Reading 02:	0.815	0.823	_____
Reading 03:	0.813	0.820	_____
Reading 04:	0.815	0.829	_____
Reading 05:	0.811	0.820	_____
Reading 06:	0.810	0.820	_____

Data Evaluation

Lowest Reading	:	0.810	0.820
Average - Low 3	:	0.811	0.820
Thk. Rem. Above LFL	:	0.073	0.083
Indv. Short Term Rate (in/yr)	:		0.000
Short Term Rate (in/yr)	:		0.000
LongTerm Rate (in/yr)	:		

Description: NORTH SHELL CIRC T-E-B-W CML: 060-23

Nominal:	0.737	C.A. as per		C.A. L.F.L.:	0.000	Con't Service:	YES
t Min.:	--	Not Stated		L.F.L.:	0.737	Insp. Intv.:	12
C.A. Calc.:	--			Mths. To L.F.L.:		Add'l Assm't:	YES

Survey Dates: 2009-08

Reading 01:	0.820	_____
Reading 02:	0.842	_____
Reading 03:	0.860	_____
Reading 04:	0.840	_____
Reading 05:	0.820	_____
Reading 06:	0.831	_____
Reading 07:	0.820	_____
Reading 08:	0.833	_____
Reading 09:	0.820	_____
Reading 10:	0.811	_____
Reading 11:	0.836	_____
Reading 12:	0.835	_____

Data Evaluation

Lowest Reading	:	0.811
Average - Low 3	:	0.817
Thk. Rem. Above LFL	:	0.074
Indv. Short Term Rate (in/yr)	:	
Short Term Rate (in/yr)	:	
LongTerm Rate (in/yr)	:	

EXXON MOBIL
 PINE CREEK COMPRESSOR STATION - (007)
 AREA #1 - (01)

TEAM Industrial Services

Item Desc.:	BLOWCASE	Equip. No.:	-----	Lsd:	06-22-057-20W5M
Prov. Reg.:	A0457111	PSV No.:		Ser. No.:	00-742
SKID No.:				Last VE Date	

Description: NORTH HEAD T-B

CML: 060-25

Nominal:	0.750	C.A. as per		C.A. L.F.L.:	0.000	Con't Service:	YES
t Min.:	--	Not Stated		L.F.L.:	0.750	Insp. Intv.:	12
C.A. Calc.:	--			Mths. To L.F.L.:	48	Add'l Assm't:	NO

Survey Dates:

	2003-03	2009-08	
Reading 01:	0.830	0.839	---
Reading 02:	0.848	0.849	---
Reading 03:	0.848	0.838	---
Reading 04:	0.843	0.828	---
Reading 05:	0.831	0.802	---
Reading 06:	0.842	0.880	---

Data Evaluation

Lowest Reading	:	0.830	0.802
Average - Low 3	:	0.834	0.823
Thk.Rem. Above LFL	:	0.080	0.052
Indv. Short Term Rate (in/yr)	:		0.005
Short Term Rate (in/yr)	:		0.002
LongTerm Rate (in/yr)	:		

Comments:

2009/08 - NO ACCESS TO THE WELD DUE TO SADDLE SUPPORT.