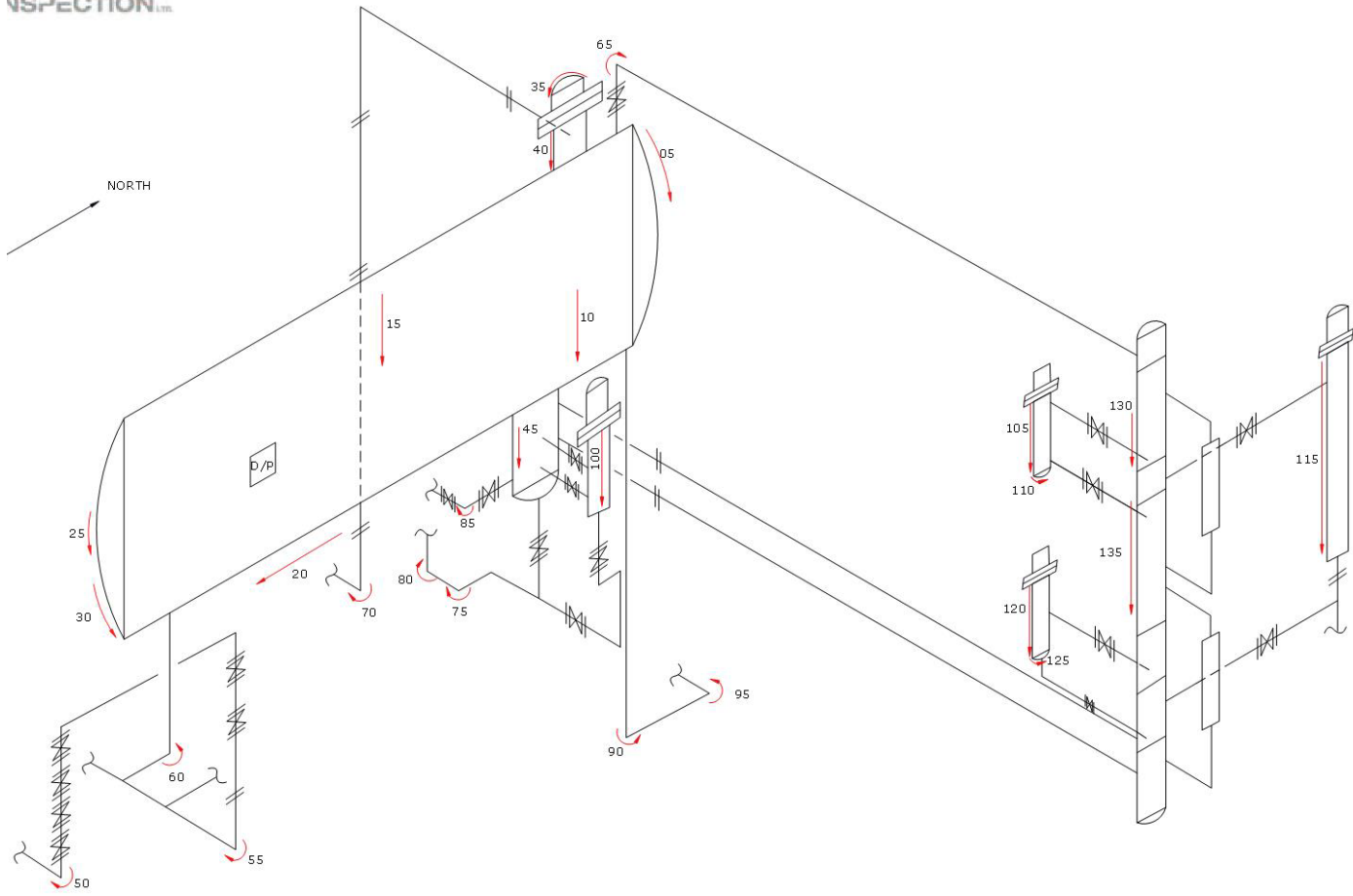


|                        |                      |                      |                  |
|------------------------|----------------------|----------------------|------------------|
| Location Name:         | ANSELL GAS PLANT     | LSD:                 | 07-27-051-19 W5M |
| A#:                    | A0136817             | Equipment/Tag No.    | V-106            |
| Equipment Description: | CONDENSATE FEED DRUM | Serial Number:       | 86045-AA         |
| MAWP:                  | 3350 KPA             | CRN: (or other ID#)  | F7659.2          |
| Shell Material:        | SA-516-70            | Design Temp:         | 45°C             |
| Shell Thickness:       | 25.4MM               | Head Material:       | SA-516-70        |
| Corrosion Allowance:   | 3.2MM                | Head Thickness:      | 28.32MM          |
| Size:                  | 58"                  | Date Built:          | 1986             |
| RT:                    | 1                    | Manufacturer:        | ROPAK SYSTEMS    |
|                        |                      | Pipe / Rolled Plate: | ROLLED PLATE     |

Notes:  
NO BAND 00



INSPECTION.LTD.







# Ultrasonic Corrosion Survey

Survey Name: Husky Energy

Date: Jun 8, 2014

Inspector: D. Skeard

|                            |                            |  |
|----------------------------|----------------------------|--|
| <b>LSD:</b> 07-27-051-19W5 | <b>Area:</b> Ansell        | <b>Location:</b> Gas Plant               |
| <b>A #:</b> A0136817       | <b>Tag Number:</b> V-106   | <b>Vessel Name:</b> Condensate Feed Drum |
| <b>CRN:</b> F7659.2        | <b>Year Built:</b> 1986    | <b>Serial Number:</b> 86045-AA           |
|                            | <b>Vessel CA:</b> 3.2 mm   | <b>Manufacturer:</b> Propak Systems      |
|                            | <b>Shell MAWP:</b> 486 PSI | <b>Tube MAWP:</b> MAWTF: 113°F           |

|                              |                   |   |
|------------------------------|-------------------|---|
| <b>TML Description</b>       | Baseline          | <b>Material:</b> SA-516-70                            |
| <b>05</b> Head               | <b>2014</b>       | <b>Flag</b> CA <b>Nominal</b> T Min <b>Corr. Rate</b> |
| <b>Shape:</b> Ellipsoidal    | <b>Min</b> 28.730 | 25.120 3.200 28.320                                   |
| <b>OD:</b> 58"               | <b>Avg</b> 29.240 |   |
| <b>Spec:</b> ASME VIII Div.1 | <b>Comments:</b>  | <b>Remaining Life:</b><br><b>Retirement Date:</b>     |

|                              |                   |   |
|------------------------------|-------------------|---|
| <b>TML Description</b>       | Baseline          | <b>Material:</b> SA-516-70                            |
| <b>10</b> Shell              | <b>2014</b>       | <b>Flag</b> CA <b>Nominal</b> T Min <b>Corr. Rate</b> |
| <b>Shape:</b> Cylindrical    | <b>Min</b> 25.730 | 22.200 3.200 25.400                                   |
| <b>OD:</b> 58"               | <b>Avg</b> 25.810 |   |
| <b>Spec:</b> ASME VIII Div.1 | <b>Comments:</b>  | <b>Remaining Life:</b><br><b>Retirement Date:</b>     |

|                              |                   |   |
|------------------------------|-------------------|---|
| <b>TML Description</b>       | Baseline          | <b>Material:</b> SA-516-70                            |
| <b>15</b> Shell              | <b>2014</b>       | <b>Flag</b> CA <b>Nominal</b> T Min <b>Corr. Rate</b> |
| <b>Shape:</b> Cylindrical    | <b>Min</b> 25.270 | 22.200 3.200 25.400                                   |
| <b>OD:</b> 58"               | <b>Avg</b> 25.600 |   |
| <b>Spec:</b> ASME VIII Div.1 | <b>Comments:</b>  | <b>Remaining Life:</b><br><b>Retirement Date:</b>     |

|                              |                   |   |
|------------------------------|-------------------|---|
| <b>TML Description</b>       | Baseline          | <b>Material:</b> SA-516-70                            |
| <b>20</b> Shell              | <b>2014</b>       | <b>Flag</b> CA <b>Nominal</b> T Min <b>Corr. Rate</b> |
| <b>Shape:</b> Cylindrical    | <b>Min</b> 25.300 | 22.200 3.200 25.400                                   |
| <b>OD:</b> 58"               | <b>Avg</b> 25.730 |   |
| <b>Spec:</b> ASME VIII Div.1 | <b>Comments:</b>  | <b>Remaining Life:</b><br><b>Retirement Date:</b>     |



# Ultrasonic Corrosion Survey

Survey Name: Husky Energy

Date: Jun 8, 2014

Inspector: D. Skeard

|                            |                            |  |
|----------------------------|----------------------------|--|
| <b>LSD:</b> 07-27-051-19W5 | <b>Area:</b> Ansell        | <b>Location:</b> Gas Plant               |
| <b>A #:</b> A0136817       | <b>Tag Number:</b> V-106   | <b>Vessel Name:</b> Condensate Feed Drum |
| <b>CRN:</b> F7659.2        | <b>Year Built:</b> 1986    | <b>Serial Number:</b> 86045-AA           |
|                            | <b>Vessel CA:</b> 3.2 mm   | <b>Manufacturer:</b> Propak Systems      |
|                            | <b>Shell MAWP:</b> 486 PSI | <b>Tube MAWP:</b> MAWTF: 113°F           |

|                              |                   |   |
|------------------------------|-------------------|---|
| <b>TML Description</b>       | Baseline          | <b>Material:</b> SA-516-70                            |
| <b>25</b> Head               | <b>2014</b>       | <b>Flag</b> CA <b>Nominal</b> T Min <b>Corr. Rate</b> |
| <b>Shape:</b> Ellipsoidal    | <b>Min</b> 28.370 | 25.120 3.200 28.320                                   |
| <b>OD:</b> 58"               | <b>Avg</b> 28.730 | <b>Remaining Life:</b>                                |
| <b>Spec:</b> ASME VIII Div.1 | <b>Comments:</b>  | <b>Retirement Date:</b>                               |

|                              |                   |   |
|------------------------------|-------------------|---|
| <b>TML Description</b>       | Baseline          | <b>Material:</b> SA-516-70                            |
| <b>30</b> Head               | <b>2014</b>       | <b>Flag</b> CA <b>Nominal</b> T Min <b>Corr. Rate</b> |
| <b>Shape:</b> Ellipsoidal    | <b>Min</b> 28.930 | 25.120 3.200 28.320                                   |
| <b>OD:</b> 58"               | <b>Avg</b> 29.210 | <b>Remaining Life:</b>                                |
| <b>Spec:</b> ASME VIII Div.1 | <b>Comments:</b>  | <b>Retirement Date:</b>                               |

|                         |                                     |   |
|-------------------------|-------------------------------------|---|
| <b>TML Description</b>  | Baseline                            | <b>Material:</b> A-234-WPB                            |
| <b>35</b> Head          | <b>2014</b>                         | <b>Flag</b> CA <b>Nominal</b> T Min <b>Corr. Rate</b> |
| <b>Shape:</b> Gas Dome  | <b>Min</b> 14.960                   | 15.269 2.181 17.450 7.341 0.089                       |
| <b>OD:</b> 24"          | <b>Avg</b> 16.280                   | Assumed <b>Remaining Life:</b> 87.04 Years            |
| <b>Spec:</b> ASME B31.3 | <b>Comments:</b> No corrosion found | <b>Retirement Date:</b> 6/22/2101                     |

|                              |                   |   |
|------------------------------|-------------------|---|
| <b>TML Description</b>       | Baseline          | <b>Material:</b> A-234-WPB                            |
| <b>40</b> Nozzle             | <b>2014</b>       | <b>Flag</b> CA <b>Nominal</b> T Min <b>Corr. Rate</b> |
| <b>Shape:</b> Gas Dome       | <b>Min</b> 16.260 | 15.269 2.181 17.450                                   |
| <b>OD:</b> 24"               | <b>Avg</b> 16.460 | Assumed <b>Remaining Life:</b>                        |
| <b>Spec:</b> ASME VIII Div.1 | <b>Comments:</b>  | <b>Retirement Date:</b>                               |



# Ultrasonic Corrosion Survey

Survey Name: Husky Energy

Date: Jun 8, 2014

Inspector: D. Skeard

|                            |                            |  |
|----------------------------|----------------------------|--|
| <b>LSD:</b> 07-27-051-19W5 | <b>Area:</b> Ansell        | <b>Location:</b> Gas Plant               |
| <b>A #:</b> A0136817       | <b>Tag Number:</b> V-106   | <b>Vessel Name:</b> Condensate Feed Drum |
| <b>CRN:</b> F7659.2        | <b>Year Built:</b> 1986    | <b>Serial Number:</b> 86045-AA           |
|                            | <b>Vessel CA:</b> 3.2 mm   | <b>Manufacturer:</b> Propak Systems      |
|                            | <b>Shell MAWP:</b> 486 PSI | <b>Tube MAWP:</b> MAWTF: 113°F           |

|                              |                   |   |
|------------------------------|-------------------|---|
| <b>TML Description</b>       | Baseline          | <b>Material:</b> A-234-WPB  |
| <b>45</b> Nozzle             | <b>2014</b>       | <b>Flag</b> <b>CA</b> <b>Nominal</b> <b>T Min</b> <b>Corr. Rate</b> |
| <b>Shape:</b> Gas Boot       | <b>Min</b> 15.490 | 11.113 1.588 12.700   |
| <b>OD:</b> 26"               | <b>Avg</b> 16.080 | Assumed   |
| <b>Spec:</b> ASME VIII Div.1 | <b>Comments:</b>  | <b>Remaining Life:</b><br><b>Retirement Date:</b>                   |

|                         |                  |   |
|-------------------------|------------------|---|
| <b>TML Description</b>  | Baseline         | <b>Material:</b> A-234-WPB  |
| <b>50</b> Piping        | <b>2014</b>      | <b>Flag</b> <b>CA</b> <b>Nominal</b> <b>T Min</b> <b>Corr. Rate</b> |
| <b>Shape:</b> 90° Elbow | <b>Min</b> 3.480 | 3.423 0.489 3.912   |
| <b>OD:</b> 2.375"       | <b>Avg</b> 3.910 |   |
| <b>Spec:</b> ASME B31.3 | <b>Comments:</b> | <b>Remaining Life:</b><br><b>Retirement Date:</b>                   |

|                         |                  |   |
|-------------------------|------------------|---|
| <b>TML Description</b>  | Baseline         | <b>Material:</b> A-234-WPB  |
| <b>55</b> Piping        | <b>2014</b>      | <b>Flag</b> <b>CA</b> <b>Nominal</b> <b>T Min</b> <b>Corr. Rate</b> |
| <b>Shape:</b> 90° Elbow | <b>Min</b> 3.730 | 3.423 0.489 3.912   |
| <b>OD:</b> 2.375"       | <b>Avg</b> 3.890 |   |
| <b>Spec:</b> ASME B31.3 | <b>Comments:</b> | <b>Remaining Life:</b><br><b>Retirement Date:</b>                   |

|                         |                  |   |
|-------------------------|------------------|---|
| <b>TML Description</b>  | Baseline         | <b>Material:</b> A-234-WPB  |
| <b>60</b> Piping        | <b>2014</b>      | <b>Flag</b> <b>CA</b> <b>Nominal</b> <b>T Min</b> <b>Corr. Rate</b> |
| <b>Shape:</b> 90° Elbow | <b>Min</b> 3.840 | 3.423 0.489 3.912   |
| <b>OD:</b> 2.375"       | <b>Avg</b> 4.140 |   |
| <b>Spec:</b> ASME B31.3 | <b>Comments:</b> | <b>Remaining Life:</b><br><b>Retirement Date:</b>                   |



# Ultrasonic Corrosion Survey

Survey Name: Husky Energy

Date: Jun 8, 2014

Inspector: D. Skeard

|                            |                            |  |
|----------------------------|----------------------------|--|
| <b>LSD:</b> 07-27-051-19W5 | <b>Area:</b> Ansell        | <b>Location:</b> Gas Plant               |
| <b>A #:</b> A0136817       | <b>Tag Number:</b> V-106   | <b>Vessel Name:</b> Condensate Feed Drum |
| <b>CRN:</b> F7659.2        | <b>Year Built:</b> 1986    | <b>Serial Number:</b> 86045-AA           |
|                            | <b>Vessel CA:</b> 3.2 mm   | <b>Manufacturer:</b> Propak Systems      |
|                            | <b>Shell MAWP:</b> 486 PSI | <b>Tube MAWP:</b> MAWTF: 113°F           |

|                         |                  |                            |
|-------------------------|------------------|----------------------------|
| <b>TML Description</b>  | Baseline         | <b>Material:</b> A-234-WPB |
| <b>65</b> Piping        | <b>2014</b>      | <b>Corr. Rate</b>          |
| <b>Shape:</b> 90° Elbow | <b>Min</b> 5.280 | <b>Flag</b> 4.845          |
| <b>OD:</b> 2.375"       | <b>Avg</b> 5.610 | <b>CA</b> 0.692            |
| <b>Spec:</b> ASME B31.3 | <b>Comments:</b> | <b>Nominal</b> 5.537       |
|                         |                  | <b>T Min</b> Assumed       |
|                         |                  | <b>Remaining Life:</b>     |
|                         |                  | <b>Retirement Date:</b>    |

|                         |                  |                            |
|-------------------------|------------------|----------------------------|
| <b>TML Description</b>  | Baseline         | <b>Material:</b> A-234-WPB |
| <b>70</b> Piping        | <b>2014</b>      | <b>Corr. Rate</b>          |
| <b>Shape:</b> 90° Elbow | <b>Min</b> 3.480 | <b>Flag</b> 3.423          |
| <b>OD:</b> 2.375"       | <b>Avg</b> 3.840 | <b>CA</b> 0.489            |
| <b>Spec:</b> ASME B31.3 | <b>Comments:</b> | <b>Nominal</b> 3.912       |
|                         |                  | <b>T Min</b>               |
|                         |                  | <b>Remaining Life:</b>     |
|                         |                  | <b>Retirement Date:</b>    |

|                         |                  |                            |
|-------------------------|------------------|----------------------------|
| <b>TML Description</b>  | Baseline         | <b>Material:</b> A-234-WPB |
| <b>75</b> Piping        | <b>2014</b>      | <b>Corr. Rate</b>          |
| <b>Shape:</b> 90° Elbow | <b>Min</b> 3.660 | <b>Flag</b> 3.423          |
| <b>OD:</b> 2.375"       | <b>Avg</b> 3.990 | <b>CA</b> 0.489            |
| <b>Spec:</b> ASME B31.3 | <b>Comments:</b> | <b>Nominal</b> 3.912       |
|                         |                  | <b>T Min</b>               |
|                         |                  | <b>Remaining Life:</b>     |
|                         |                  | <b>Retirement Date:</b>    |

|                         |                  |                            |
|-------------------------|------------------|----------------------------|
| <b>TML Description</b>  | Baseline         | <b>Material:</b> A-234-WPB |
| <b>80</b> Piping        | <b>2014</b>      | <b>Corr. Rate</b>          |
| <b>Shape:</b> 90° Elbow | <b>Min</b> 3.610 | <b>Flag</b> 3.423          |
| <b>OD:</b> 2.375"       | <b>Avg</b> 3.940 | <b>CA</b> 0.489            |
| <b>Spec:</b> ASME B31.3 | <b>Comments:</b> | <b>Nominal</b> 3.912       |
|                         |                  | <b>T Min</b>               |
|                         |                  | <b>Remaining Life:</b>     |
|                         |                  | <b>Retirement Date:</b>    |



# Ultrasonic Corrosion Survey

Survey Name: Husky Energy

Date: Jun 8, 2014

Inspector: D. Skeard

|                            |                            |  |
|----------------------------|----------------------------|--|
| <b>LSD:</b> 07-27-051-19W5 | <b>Area:</b> Ansell        | <b>Location:</b> Gas Plant               |
| <b>A #:</b> A0136817       | <b>Tag Number:</b> V-106   | <b>Vessel Name:</b> Condensate Feed Drum |
| <b>CRN:</b> F7659.2        | <b>Year Built:</b> 1986    | <b>Serial Number:</b> 86045-AA           |
|                            | <b>Vessel CA:</b> 3.2 mm   | <b>Manufacturer:</b> Propak Systems      |
|                            | <b>Shell MAWP:</b> 486 PSI | <b>Tube MAWP:</b> MAWTF: 113°F           |

|                         |                  |   |
|-------------------------|------------------|---|
| <b>TML Description</b>  | Baseline         | <b>Material:</b> A-234-WPB  |
| <b>85</b> Piping        | <b>2014</b>      | <b>Flag</b> <b>CA</b> <b>Nominal</b> <b>T Min</b> <b>Corr. Rate</b> |
| <b>Shape:</b> 90° Elbow | <b>Min</b> 3.530 | 3.423 0.489 3.912   |
| <b>OD:</b> 2.375"       | <b>Avg</b> 3.840 |   |
| <b>Spec:</b> ASME B31.3 | <b>Comments:</b> | <b>Remaining Life:</b><br><b>Retirement Date:</b>                   |

|                         |                  |   |
|-------------------------|------------------|---|
| <b>TML Description</b>  | Baseline         | <b>Material:</b> A-234-WPB  |
| <b>90</b> Piping        | <b>2014</b>      | <b>Flag</b> <b>CA</b> <b>Nominal</b> <b>T Min</b> <b>Corr. Rate</b> |
| <b>Shape:</b> 90° Elbow | <b>Min</b> 3.810 | 3.423 0.489 3.912   |
| <b>OD:</b> 2.375"       | <b>Avg</b> 4.090 |   |
| <b>Spec:</b> ASME B31.3 | <b>Comments:</b> | <b>Remaining Life:</b><br><b>Retirement Date:</b>                   |

|                         |                  |   |
|-------------------------|------------------|---|
| <b>TML Description</b>  | Baseline         | <b>Material:</b> A-234-WPB  |
| <b>95</b> Piping        | <b>2014</b>      | <b>Flag</b> <b>CA</b> <b>Nominal</b> <b>T Min</b> <b>Corr. Rate</b> |
| <b>Shape:</b> 90° Elbow | <b>Min</b> 3.860 | 3.423 0.489 3.912   |
| <b>OD:</b> 2.375"       | <b>Avg</b> 4.110 |   |
| <b>Spec:</b> ASME B31.3 | <b>Comments:</b> | <b>Remaining Life:</b><br><b>Retirement Date:</b>                   |

|                         |                  |   |
|-------------------------|------------------|---|
| <b>TML Description</b>  | Baseline         | <b>Material:</b> A-234-WPB  |
| <b>100</b> Shell        | <b>2014</b>      | <b>Flag</b> <b>CA</b> <b>Nominal</b> <b>T Min</b> <b>Corr. Rate</b> |
| <b>Shape:</b> Bridle    | <b>Min</b> 8.080 | 7.490 1.070 8.560   |
| <b>OD:</b> 4.5"         | <b>Avg</b> 8.610 | Assumed   |
| <b>Spec:</b> ASME B31.3 | <b>Comments:</b> | <b>Remaining Life:</b><br><b>Retirement Date:</b>                   |





# Ultrasonic Corrosion Survey

Survey Name: Husky Energy

Date: Jun 8, 2014

Inspector: D. Skeard

|                            |                            |  |
|----------------------------|----------------------------|--|
| <b>LSD:</b> 07-27-051-19W5 | <b>Area:</b> Ansell        | <b>Location:</b> Gas Plant               |
| <b>A #:</b> A0136817       | <b>Tag Number:</b> V-106   | <b>Vessel Name:</b> Condensate Feed Drum |
| <b>CRN:</b> F7659.2        | <b>Year Built:</b> 1986    | <b>Serial Number:</b> 86045-AA           |
|                            | <b>Vessel CA:</b> 3.2 mm   | <b>Manufacturer:</b> Propak Systems      |
|                            | <b>Shell MAWP:</b> 486 PSI | <b>Tube MAWP:</b> MAWTF: 113°F           |

|                         |                  |   |
|-------------------------|------------------|---|
| <b>TML Description</b>  | Baseline         | <b>Material:</b> A-234-WPB  |
| <b>105</b> Shell        | <b>2014</b>      | <b>Flag</b> <b>CA</b> <b>Nominal</b> <b>T Min</b> <b>Corr. Rate</b> |
| <b>Shape:</b> Bridle    | <b>Min</b> 5.770 | 4.801 0.686 5.486   |
| <b>OD:</b> 3.5"         | <b>Avg</b> 6.200 | Assumed   |
| <b>Spec:</b> ASME B31.3 | <b>Comments:</b> | <b>Remaining Life:</b><br><b>Retirement Date:</b>                   |

|                         |                  |   |
|-------------------------|------------------|---|
| <b>TML Description</b>  | Baseline         | <b>Material:</b> A-234-WPB  |
| <b>110</b> Head         | <b>2014</b>      | <b>Flag</b> <b>CA</b> <b>Nominal</b> <b>T Min</b> <b>Corr. Rate</b> |
| <b>Shape:</b> Bridle    | <b>Min</b> 5.160 | 4.801 0.686 5.486   |
| <b>OD:</b> 3.5"         | <b>Avg</b> 5.990 | Assumed   |
| <b>Spec:</b> ASME B31.3 | <b>Comments:</b> | <b>Remaining Life:</b><br><b>Retirement Date:</b>                   |

|                         |                  |   |
|-------------------------|------------------|---|
| <b>TML Description</b>  | Baseline         | <b>Material:</b> A-234-WPB  |
| <b>115</b> Shell        | <b>2014</b>      | <b>Flag</b> <b>CA</b> <b>Nominal</b> <b>T Min</b> <b>Corr. Rate</b> |
| <b>Shape:</b> Bridle    | <b>Min</b> 8.940 | 7.490 1.070 8.560   |
| <b>OD:</b> 4.5"         | <b>Avg</b> 9.400 | Assumed   |
| <b>Spec:</b> ASME B31.3 | <b>Comments:</b> | <b>Remaining Life:</b><br><b>Retirement Date:</b>                   |

|                         |                  |   |
|-------------------------|------------------|---|
| <b>TML Description</b>  | Baseline         | <b>Material:</b> A-234-WPB  |
| <b>120</b> Shell        | <b>2014</b>      | <b>Flag</b> <b>CA</b> <b>Nominal</b> <b>T Min</b> <b>Corr. Rate</b> |
| <b>Shape:</b> Bridle    | <b>Min</b> 5.540 | 4.801 0.686 5.486   |
| <b>OD:</b> 3.5"         | <b>Avg</b> 5.970 | Assumed   |
| <b>Spec:</b> ASME B31.3 | <b>Comments:</b> | <b>Remaining Life:</b><br><b>Retirement Date:</b>                   |



# Ultrasonic Corrosion Survey

Survey Name: Husky Energy

Date: Jun 8, 2014

Inspector: D. Skeard

|                            |                            |  |
|----------------------------|----------------------------|--|
| <b>LSD:</b> 07-27-051-19W5 | <b>Area:</b> Ansell        | <b>Location:</b> Gas Plant               |
| <b>A #:</b> A0136817       | <b>Tag Number:</b> V-106   | <b>Vessel Name:</b> Condensate Feed Drum |
| <b>CRN:</b> F7659.2        | <b>Year Built:</b> 1986    | <b>Serial Number:</b> 86045-AA           |
|                            | <b>Vessel CA:</b> 3.2 mm   | <b>Manufacturer:</b> Propak Systems      |
|                            | <b>Shell MAWP:</b> 486 PSI | <b>Tube MAWP:</b> MAWTF:                 |
|                            | <b>MAWTF:</b> 113°F        |  |

|                         |                  |                            |
|-------------------------|------------------|----------------------------|
| <b>TML Description</b>  | Baseline         | <b>Material:</b> A-234-WPB |
| <b>125</b> Head         | <b>2014</b>      | <b>Corr. Rate</b>          |
| <b>Shape:</b> Bridle    | <b>Min</b> 5.110 | <b>Flag</b> 4.801          |
| <b>OD:</b> 3.5"         | <b>Avg</b> 6.270 | <b>CA</b> 0.686            |
| <b>Spec:</b> ASME B31.3 | <b>Comments:</b> | <b>Nominal</b> 5.486       |
|                         |                  | <b>T Min</b> Assumed       |
|                         |                  | <b>Remaining Life:</b>     |
|                         |                  | <b>Retirement Date:</b>    |

|                         |                  |                            |
|-------------------------|------------------|----------------------------|
| <b>TML Description</b>  | Baseline         | <b>Material:</b> A-234-WPB |
| <b>130</b> Shell        | <b>2014</b>      | <b>Corr. Rate</b>          |
| <b>Shape:</b> Bridle    | <b>Min</b> 6.120 | <b>Flag</b> 4.801          |
| <b>OD:</b> 3.5"         | <b>Avg</b> 6.550 | <b>CA</b> 0.686            |
| <b>Spec:</b> ASME B31.3 | <b>Comments:</b> | <b>Nominal</b> 5.486       |
|                         |                  | <b>T Min</b> Assumed       |
|                         |                  | <b>Remaining Life:</b>     |
|                         |                  | <b>Retirement Date:</b>    |

|                         |                  |                            |
|-------------------------|------------------|----------------------------|
| <b>TML Description</b>  | Baseline         | <b>Material:</b> A-234-WPB |
| <b>135</b> Shell        | <b>2014</b>      | <b>Corr. Rate</b>          |
| <b>Shape:</b> Bridle    | <b>Min</b> 4.830 | <b>Flag</b> 4.800          |
| <b>OD:</b> 3.5"         | <b>Avg</b> 5.640 | <b>CA</b> 0.686            |
| <b>Spec:</b> ASME B31.3 | <b>Comments:</b> | <b>Nominal</b> 5.486       |
|                         |                  | <b>T Min</b> Assumed       |
|                         |                  | <b>Remaining Life:</b>     |
|                         |                  | <b>Retirement Date:</b>    |

FORM U-1/ MANUFACTURER'S DATA REPORT FOR PRESSURE VESSELS  
 (Alternative Form for Single Chamber, Completely Shop-Fabricated Vessels Only)  
 As Required by the Provisions of the ASME Code Rules, Section VIII, Division 1

(A) 136817 ✓

1. Manufactured and certified by PROPAK SYSTEMS LTD., 505 EAST LAKE BLVD., AIRDRIE, ALBERTA, CANADA T0M 0B0  
(Name and address of manufacturer)

2. Manufactured for Western Decalta Petroleum Ltd., 734-7 Ave. S.W., Calgary, Alberta, Canada  
(Name and address of purchaser)

3. Location of installation L.S.D. No. 10-12-19-2-W5M  
(Name and address)

4. Type Horizontal 86045-AA F7659-2 E-DFD-86045-101 1986  
(Horizontal or vertical tank) (Mfg's serial No.) (CRN) (Drawing No.) (Year built)

5. The chemical and physical properties of all parts meet the requirements of material specifications of the ASME BOILER AND PRESSURE VESSEL CODE. The design, construction, and workmanship conform to ASME Rules, Section VIII, Division 1 1983  
Year

to Summer 1985 Lethal Service  
Addend (Date) Code Case Nos. Special Service per UG 12010

6. Shell: SA516-70 25.4mm/1" 3.2mm/.125" 1473.2mm/4'-10" 4877mm/16'  
Matl (Spec No, Grade) Nom Thk (in) Cor Allow (in) Diam ID (ft & in) Length overall (ft) & in

7. Seams: DWB Full 100% 621°C/1150°F 1.25 hrs. SNGL/WMR Full 2  
Long (Welded, Dbl, Sngl, Lap, Burt) R.T. (Spot or Full) EN (%) H.T. Temp (F) Time (hr) Girth (Welded, Dbl, Sngl, Lap, Burt) R.T. (Spot, Partial or Full) No. of Courses

8. Heads: (a) Matl. SA516-70 (b) Matl. SA516-70  
(Spec No, Grade) (Spec No, Grade)

| Location (Top Bottom Ends) | Minimum Thickness | Corrosion Allowance | Crown Radius | Knuckle Radius | Elliptical Ratio | Conical Apex Anglt | Hemispherical Radius | Flat Diameter | Side to Profile (Convex or Concave) |
|----------------------------|-------------------|---------------------|--------------|----------------|------------------|--------------------|----------------------|---------------|-------------------------------------|
| (a) End                    | 25.32/1.115       | 3.2mm/.125"         |              |                | 2:1              |                    |                      |               | Concave                             |
| (b) End                    | 25.32/1.115       | 3.2mm/.125"         |              |                | 2:1              |                    |                      |               | Concave                             |

If removable, bolts used (describe other fastenings) \_\_\_\_\_  
(Matl, Spec No, Gr, Size, No.)

9. MAWP 3350 kPa/486 \_\_\_\_\_ psi at max. temp. 45°C/113° \_\_\_\_\_ °F  
 Min. temp. (when less than -20°F) \_\_\_\_\_ °F. Hydro, pneu, or comb. test pressure 5025 kPa/729 \_\_\_\_\_ psi.

10. Nozzles, inspection and safety valve openings:

| Purpose (Inlet Outlet Drain) | No | Diam or Size | Type | Matl  | Nom Thk | Reinforcement Matl | How Attached | Location  |
|------------------------------|----|--------------|------|-------|---------|--------------------|--------------|-----------|
| Liq. In                      | N1 | 89mm/3"      | RFWN | SA105 | XXH     | SA106B             | Welded       | Shell     |
| HC Liq. Out                  | N2 | 89mm/3"      | RFWN | SA105 | XXH     | SA106B             | Welded       | Shell     |
| Water Out                    | N3 | 60mm/2"      | RFWN | SA105 | XXH     | SA106B             | Welded       | Liq. Foot |
| Gas Out                      | N4 | 60mm/2"      | RFWN | SA105 | XXH     | SA106B             | Welded       | Gas Foot  |

11. Supports: Skirt No Lugs 2 Legs 2 Other \_\_\_\_\_ Attached Welded to Shell  
(Yes or no) (No.) (No.) (Describe) (Where and how)

12. Remarks: Manufacturer's Partial Data Reports properly identified and signed by Commissioned Inspectors have been furnished for the following items of the report: \_\_\_\_\_  
(Name of part, item number, Mfg's name and identifying stamp)

VESSEL TYPE: Stabilizer Feed Drum  
VOLUME: 9.95 m<sup>3</sup>  
TAG NO.: V-106

**CERTIFICATE OF SHOP COMPLIANCE**

We certify that the statements made in this report are correct and that all details of design, material, construction, and workmanship of this vessel conform to the ASME Code for Pressure Vessels, Section VIII, Division 1. "U" Certificate of Authorization No. 14422 expires June 30, 1986.  
 Date Apr 28/86 Co. name PROPAK SYSTEMS LTD. Signed \_\_\_\_\_  
(Manufacturer) (Representative)

---

**CERTIFICATE OF SHOP INSPECTION**

Vessel constructed by PROPAK SYSTEMS LTD. at AIRDRIE, ALBERTA, CANADA

I, the undersigned, holding a valid commission issued by the National Board of Boiler and Pressure Vessel Inspectors and/or the State or Province of ALBERTA and employed by LABOUR GENERAL SAFETY SERVICES DIVISION have inspected the component described in this Manufacturer's Data Report on April 28, 19 86, and state that, to the best of my knowledge and belief, the Manufacturer has constructed this pressure vessel in accordance with ASME Code, Section VIII, Division 1. By signing this certificate neither the Inspector nor his employer makes any warranty, expressed or implied, concerning the pressure vessel described in this Manufacturer's Data Report. Furthermore, neither the Inspector nor his employer shall be liable in any manner for any personal injury or property damage or a loss of any kind arising from or connected with this inspection.

Date April 28, 86 Signed \_\_\_\_\_ Commissions ALBERTA  
Authorized Inspector National Board of Boiler and Pressure Vessel Inspectors State, Provincial and Territorial

FORM U-4 MANUFACTURER'S DATA REPORT SUPPLEMENTARY SHEET  
 As Required by the Provisions of the ASME Code Rules, Section VIII, Division 1

(A) 136817

1. Manufactured and certified by PROPAK SYSTEMS LTD., 505 East Lake Blvd., Airdrie, Alberta  
(Name and address of manufacturer) TOM OBO
2. Manufactured for Western Decalta Petroleum Ltd., 734-7 Ave. S.W., Calgary, Alberta, Canada  
(Name and address of purchaser)
3. Location of installation L.S.D. No. 10-12-19-2-W5M  
(Name and address)
4. Type Horizontal 86045-AA F7659-2 E-DFD-86045-101 1986  
(Metric, vert., tank, etc.) (Mfg'r's serial No.) (CRN) (Depth) (Nat'l. Bd. No.) (Year built)

Data Report  
 Item Number

Remarks

| Data Report Item Number   | Remarks                                      |
|---------------------------|--|
| Drain N5 60/2"            | RFWN WA105 XXH SA106B Welded Liquid Boot     |
| Equalizing N6 60/2"       | RFWN SA105 XXH SA106B Welded Liquid Boot     |
| P.S.V. N7 89/3"           | RFWN SA105 XXH SA106B Welded Shell           |
| Bridle Conn. N8A/B 60/2"  | RFWN SA105 XXH SA106B Welded Shell           |
| L.C. Water N9A/B 60/2"    | RFWN SA105 XXH SA106B Welded Liquid Boot     |
| Temp. Indicator N10 60/2" | RFWN SA105 XXH SA106B Welded Shell           |
| Vent N11 60/2"            | RFWN SA105 XXH SA106B Welded Gas Boot        |
| Liquid Boot B1 610/24"    | Boot Shell SA516-70 15.88/.625" Welded Shell |
| Gas Boot M1 610/24"       | RFWN SA105 SCH 40 SA516-70 Welded Shell      |

Date April 23/85 Co. name PROPAK SYSTEMS LTD. Signed [Signature]  
(Date) (Manufacturer) (Representative)

Date April 28, 86 Signed [Signature] Commissions ALBERTA  
(Date) (Authorized Inspector) (Nat'l. Board (incl. endorsements), State, Prov., and No.)