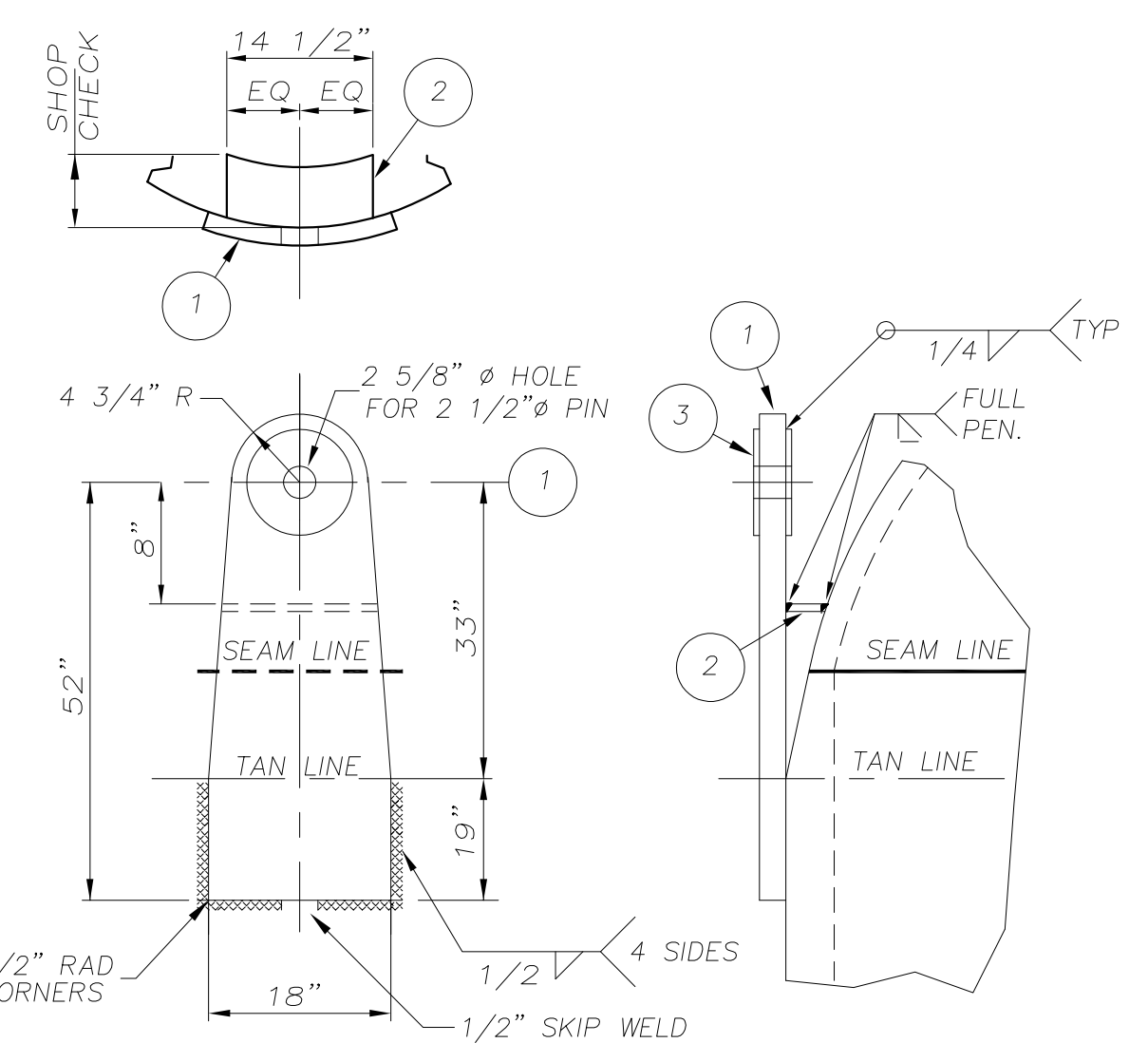
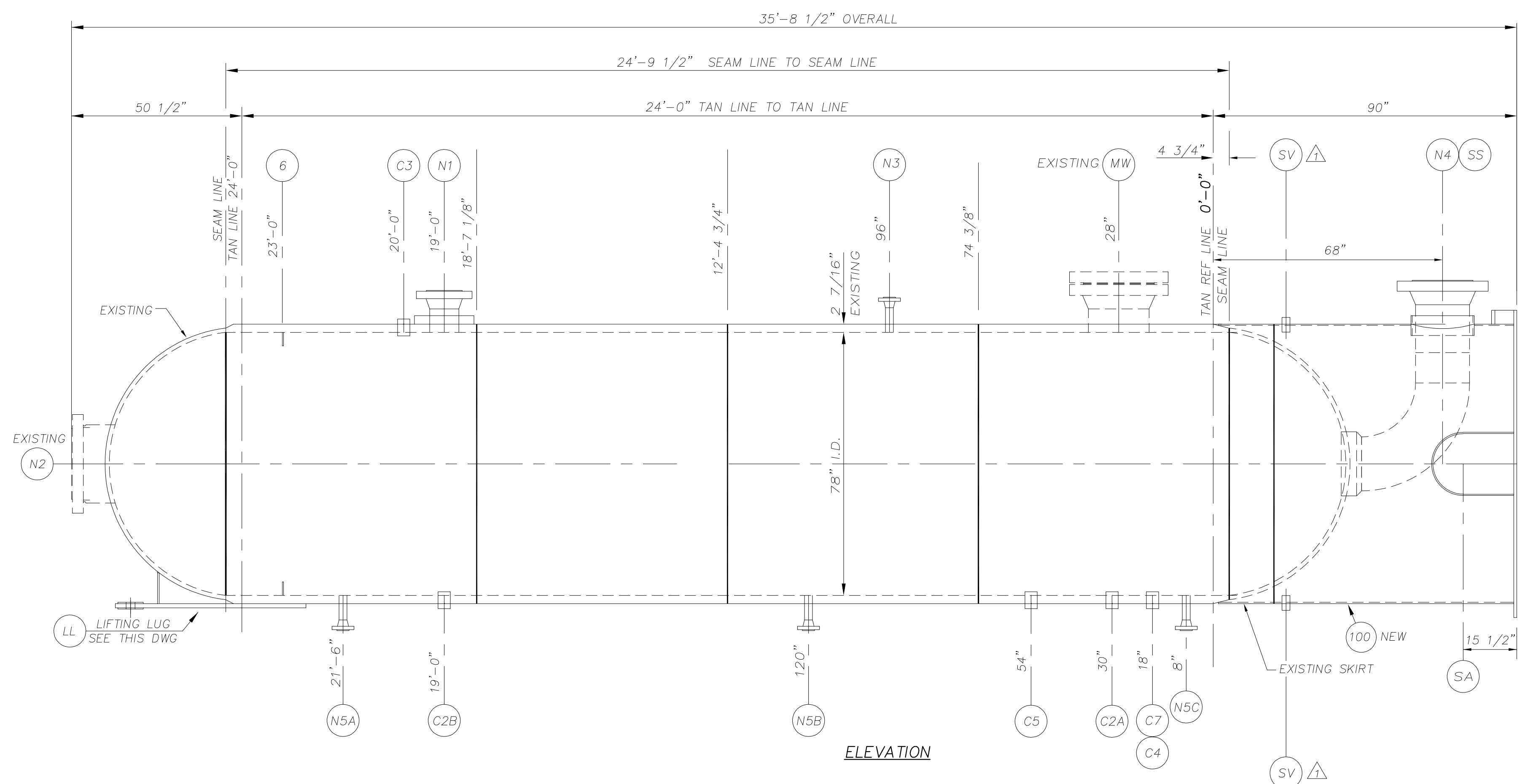


BILL OF MATERIAL					
ITEM NO.	NO. REQ'D	DESCRIPTION	MATERIAL	MARK NO.	HEAT NO.
1	2	LIFTING LUGS 1 1/4" PL x 18" x 56 3/4" LG	SA 516-70N	LL	
2	2	BACKUP PL 1/2" x 14 1/2" x SHOP FIT	SA 516-70		
3	4	PAD 3/8" PL x 2 5/8" ID x 7 1/2" OD	SA 516-70		
6	1	INT'L SUPT RING 3/8" PL x 70" ID x 77 7/8" OD c/w (20)~3/4"Ø HOLES & FILLET WELDED ON ONE SIDE	SA 516-70		
NP		NAMEPLATE C/W BRACKET (SA 516-70N)	304 S.S.		

NOTE:
1. QUANTITIES IN BILL OF MATERIALS FOR ONE VESSEL ONLY.
TWO REQUIRED.



LIFTING LUG DETAILS



ELEVATION

THE INFORMATION ON THIS DRAWING IS THE PROPERTY OF CESSCO FABRICATION AND ENGINEERING LTD. AND MUST NOT BE RE-USED IN ANY WAY WITHOUT WRITTEN PERMISSION.

CESSCO
FABRICATION & ENGINEERING LIMITED
A SUBSIDIARY OF CANADIAN ERECTORS LTD. EDMONTON, ALBERTA

CUSTOMER: Darsi Engineering
CUSTOMER P.O.: DEL-265-105
FINAL OWNER: HCO Energy Ltd., Ansel Gas Plant
TAG NO.: -

REPAIRS & MODIFICATION TO EXISTING VESSELS
78" ID x 24'-0" TAN TO TAN x 1000 PSIG @ 650F x .0625" C.A.

REV	DESCRIPTION	DATE	BY	CKD	APPR.
1	ADDED SKIRT VENTS	8/18/97	GM		

MANUAL CHANGES MADE-YES NO CAD DWG. FILE UPDATED-YES NO I.F. 24
CERTIFIED "AS BUILT" BY: DATE:

DATE: AUG 13/97
DRAWN BY: DELUMACUB
CHECKED: DL/GC
APPROVED: G.CHABOT
JOB NO.: 3625
DWG NO.: 3625-0
REV: 1