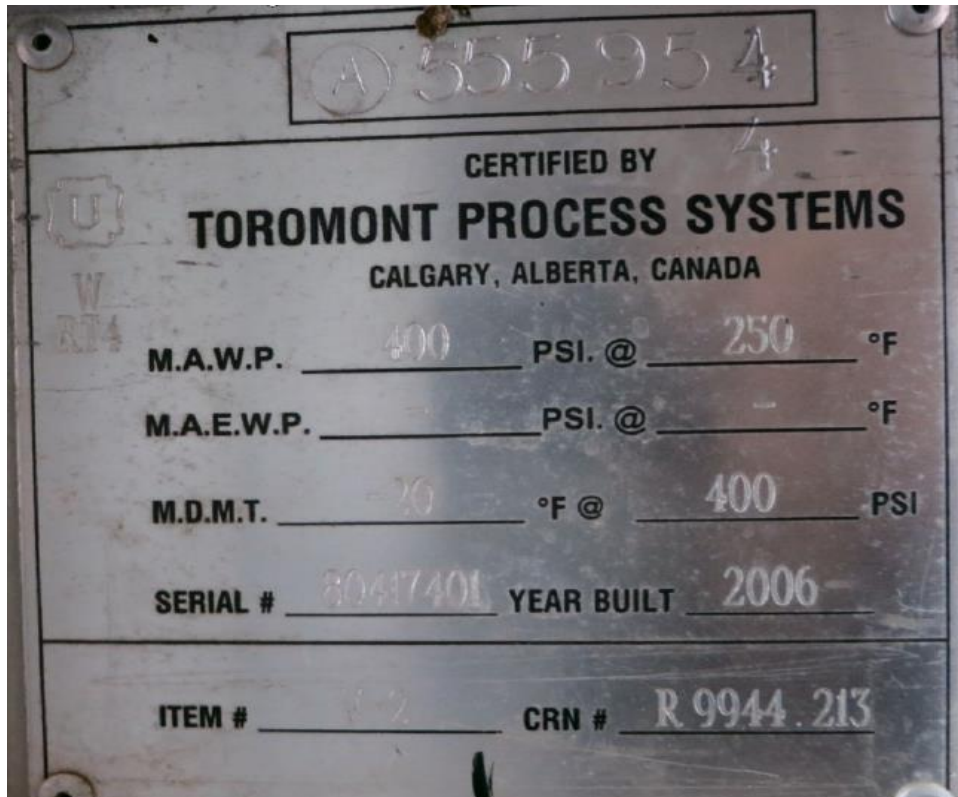


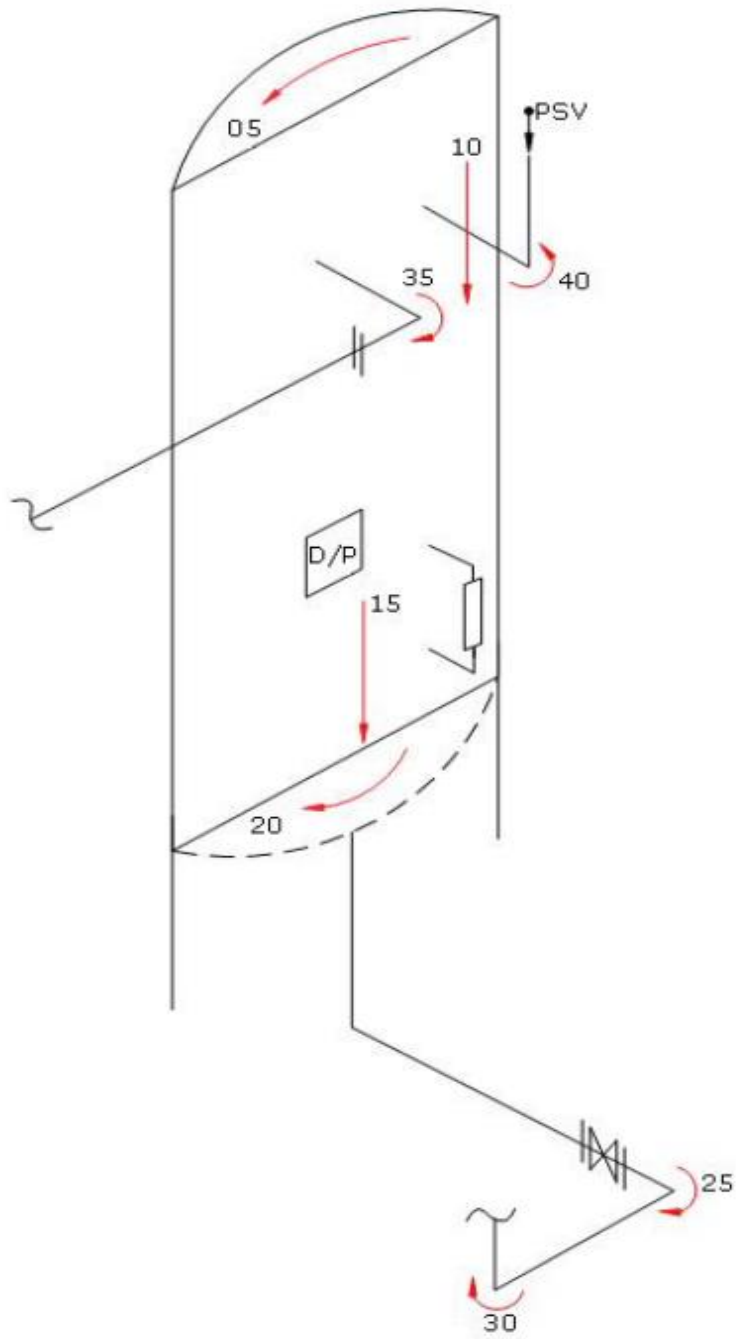


07-27-51-19W5

Location Name:	ANSELL	LSD:	07-21-051-19 W5M	
Jur #:	A0555954	Equipment/Tag No.	66147783	
Equipment Description:	OIL SEPARATOR			
Manufacturer:	TOROMONT PROCESS SYSTEM			
Serial Number:	80417401	CRN:	R9944.213	
Shell MAWP:	1406	KPA	Shell Design Temp:	121 °C
Tube MAWP:		KPA	Tube Design Temp:	°C
Shell Material:	SA-516-70N		Head Material:	SA-516-70N
Shell Thickness:	19.05	mm	Head Thickness:	17.46 mm
Corrosion Allowance:	1.5875	mm	Date Built:	2006
Size:	1219	mm	Pipe / Rolled Plate:	PIPE
RT:	4		Streamline Report #:	STL-190246-DMS 47

NOTES:









Ultrasonic Corrosion Survey

*All values are in millimeters unless otherwise stated.

Survey Name: **Husky Energy**

Date: **JUNE 14/ 19**

Streamline Report #: **STL-190246-DMS 47**

Inspector: **JAEHUN LEE**

LSD: 07-21-051-19 W5M	Area: ANSELL	Location: ANSELL GAS PLANT
Jur #: A0555954	Tag Number: 66147783	Vessel Name: OIL SEPARATOR
CRN: R9944.213	Year Built: 2006	Serial Number: 80417401
RT: 4	Vessel CA: 1.588 mm	Manufacturer: TOROMONT PROCESS SYSTEM
	Shell MAWP: 1406 KPA	Tube MAWP: KPA
	MAWT: 121 °C	MAWT: °C
		Pipe/Plate PIPE

CML Description	Baseline	Flange ANSI:	Material: FALSE
00	2014 2019	CA Nominal	T Min STCR mm/yr LTCR mm/yr
Shape:	Min	Flag	0.000 0.000
OD:	Avg		Remaining Life:
Spec: FALSE	Comments:		Retirement Date:

CML Description	Baseline	Flange ANSI:	Material: SA-516-70N
05 HEAD	2014 2019	CA Nominal	T Min STCR mm/yr LTCR mm/yr
Shape: Ellipsoidal	Min	Flag	0.006 0.000
OD: 1219.2	Avg		Remaining Life:
Spec: ASME VIII Div.1	Comments:		Retirement Date:

CML Description	Baseline	Flange ANSI:	Material: SA-516-70N
10 SHELL	2014 2019	CA Nominal	T Min STCR mm/yr LTCR mm/yr
Shape: Cylindrical	Min	Flag	0.000 0.000
OD: 1219.2	Avg		Remaining Life:
Spec: ASME VIII Div.1	Comments:		Retirement Date:

CML Description	Baseline	Flange ANSI:	Material: SA-516-70N
15 SHELL	2014 2019	CA Nominal	T Min STCR mm/yr LTCR mm/yr
Shape: Cylindrical	Min	Flag	0.000 0.000
OD: 1219.2	Avg		Remaining Life:
Spec: ASME VIII Div.1	Comments:		Retirement Date:



Ultrasonic Corrosion Survey

*All values are in millimeters unless otherwise stated.

Survey Name: Husky Energy

Date: JUNE 14/ 19

Streamline Report #: STL-190246-DMS 47

Inspector: JAEHUN LEE

LSD: 07-21-051-19 W5M	Area: ANSELL	Location: ANSELL GAS PLANT
Jur #: A0555954	Tag Number: 66147783	Vessel Name: OIL SEPARATOR
CRN: R9944.213	Year Built: 2006	Serial Number: 80417401
RT: 4	Vessel CA: 1.588 mm	Manufacturer: TOROMONT PROCESS SYSTEM
	Shell MAWP: 1406 KPA	Tube MAWP: KPA
	MAWT: 121 °C	MAWT: °C
		Pipe/Plate PIPE

CML Description	Baseline	Flange ANSI:	Material: SA-516-70N
20 HEAD	2014 2019	CA Nominal	T Min STCR mm/yr LTCR mm/yr
Shape: Ellipsoidal	Min 18.85	1.588 17.462	3.770 0.000
OD: 1219.2	Avg 19.20		Remaining Life:
Spec: ASME VIII Div.1	Comments: NO ACCESS FOR 2019		Retirement Date:

CML Description	Baseline	Flange ANSI:	Material: SA-234-WPB
25 PIPING	2014 2019	CA Nominal	T Min STCR mm/yr LTCR mm/yr
Shape: 90° Elbow	Min 4.72	0.686 5.486	0.944 0.096
OD: 88.9	Avg 5.16		Remaining Life:
Spec: ASME B31.3	Comments: NO ACCESS FOR 2019		Retirement Date:

CML Description	Baseline	Flange ANSI:	Material: SA-234-WPB
30 PIPING	2014 2019	CA Nominal	T Min STCR mm/yr LTCR mm/yr
Shape: 90° Elbow	Min 4.83	0.686 5.486	0.966 0.082
OD: 88.9	Avg 5.33		Remaining Life:
Spec: ASME B31.3	Comments: NO ACCESS FOR 2019		Retirement Date:

CML Description	Baseline	Flange ANSI:	Material: SA-234-WPB
35 PIPING	2014 2019	CA Nominal	T Min STCR mm/yr LTCR mm/yr
Shape: 90° Elbow	Min 8.53	1.022 8.179	0.000 0.000
OD: 219.075	Avg 9.09		Remaining Life:
Spec: ASME B31.3	Comments: ASSUMED NOMINAL		Retirement Date:



Ultrasonic Corrosion Survey

*All values are in millimeters unless otherwise stated.

Survey Name: **Husky Energy**

Date: **JUNE 14/ 19**

Streamline Report #: **STL-190246-DMS 47**

Inspector: **JAEHUN LEE**

LSD: 07-21-051-19 W5M	Area: ANSELL	Location: ANSELL GAS PLANT
Jur #: A0555954	Tag Number: 66147783	Vessel Name: OIL SEPARATOR
CRN: R9944.213	Year Built: 2006	Serial Number: 80417401
RT: 4	Vessel CA: 1.588 mm	Manufacturer: TOROMONT PROCESS SYSTEM
	Shell MAWP: 1406 KPA	Tube MAWP: KPA
	MAWT: 121 °C	MAWT: °C
		Pipe/Plate PIPE

CML Description	Baseline	Flange ANSI:	Material: SA-234-WPB
40 NOZZLE	2014 2019	CA Nominal	T Min STCR mm/yr LTCR mm/yr
Shape: 90° Elbow	Min 8.08 8.00	1.588 7.620	0.016 0.000
OD: 88.9	Avg 8.28 8.18		Remaining Life:
Spec: ASME VIII Div.1	Comments: ASSUMED NOMINAL		Retirement Date:

FORM U-1A MANUFACTURER'S DATA REPORT FOR PRESSURE VESSELS
(Alternative Form for Single Chamber, Completely Shop or Field Fabricated Vessels Only)
As Required by the Provisions of the ASME Code Rules, Section VIII, Division 1

(A)555954

1. Manufactured and certified by Toromont Process Systems, 10121 Barlow Trail NE, Calgary, Alberta, Canada, T3J 3C6
(Name and address of manufacturer)

2. Manufactured for Toromont Process Systems, 10121 Barlow Trail NE, Calgary, Alberta, Canada, T3J 3C6
(Name and address of purchaser)

3. Location of installation Stock
(Name and address)

4. Type Vertical 80417401 R9944.213 OSV-480-03-CS-002 Rev0 - 2006
(Horiz. or vert., tank) (Mfgr's serial No.) (CRN) (Drawing No.) (Natl. Bd. No.) (Year built)

5. The chemical and physical properties of all parts meet the requirements of material specifications of the ASME BOILER AND PRESSURE VESSEL CODE. The design, construction, and workmanship conform to ASME Rules, Section VIII, Division 1 2004
Year

to 2005
Addenda (Date)

6. Shell: SA-516-70N 0.750" 0.0625" 3' - 10 1/2" 8' - 6"
Matl. (Spec. No., Grade) Nom. Thk. (in.) Corr. Allow. (in.) Diam. I.D. (ft. & in.) Length (overall) (ft. & in.)

7. Seams: Type 1 Spot .85 --- --- Type 1 Spot .70 1
Long. (Welded, Dbl., Sngl., Lap, Butt) R.T. (Spot or Full) Eff. (%) H.T. Temp. (°F) Time (hr) Girth (Welded, Dbl., Sngl., Lap, Butt) R.T. (Spot or Full) Eff. (%) No. of Courses

8. Heads: (a) Matl. SA-516-70N (b) Matl. SA-516-70N
(Spec. No., Grade) (Spec. No., Grade)

	Location (Top, Bottom, Ends)	Minimum Thickness	Corrosion Allowance	Crown Radius	Knuckle Radius	Elliptical Ratio	Conical Apex Angle	Hemispherical Radius	Flat Diameter	Side to Pressure (Convex or Concave)
(a)	Top	0.6875"	0.0625"	-	-	SE 2:1	-	-	-	Concave
(b)	Bottom	0.6875"	0.0625"	-	-	SE 2:1	-	-	-	Concave

If removable, bolts used (describe other fastenings) _____

9. MAWP 400 _____ psi at max. temp. 250 _____ °F.
(internal) (external) (internal) (external)

Min. design metal temp. -20 °F at 400 Psi. Hydro., pneu., or comb. test pressure 520 psi.

10. Nozzles, inspection and safety valve openings:

Purpose (Inlet, Outlet, Drain)	No.	Diam. or Size	Type	Matl.	Nom. Thk.	Reinforcement Matl.	How Attached	Location
			SEE	ATTACHED	U4	FORM		

11. Supports: Skirt No Lugs 3 Legs - Other - Attached Shell & Welded
(Yes or no) (No.) (No.) (Describe) (Where and how)

12. Remarks: Manufacturer's Partial Data Reports properly identified and signed by Commissioned Inspectors have been furnished for the following items of the report: _____

Item: V-2 Vessel Type: Oil Separator Construction Drawing: 80417-401 Rev 1
 Volume: 120 Cubic Feet Impact Testing: No, per UG-20(f)

CERTIFICATE OF SHOP/FIELD COMPLIANCE

We certify that the statements made in this report are correct and that all details of design, material, construction, and workmanship of this vessel conform to the ASME Code for Pressure Vessels, Section VIII, Division 1. "U" Certificate of Authorization No. 33,658 expires November 26, 2008

Date 23 Nov 06 Co. name Toromont Process Systems Signed [Signature]
(Manufacturer) (Representative)

CERTIFICATE OF SHOP/FIELD INSPECTION

Vessel constructed by Toromont Process Systems at Calgary, Alberta, Canada

I, the undersigned, holding a valid commission issued by the National Board of Boiler and Pressure Vessel Inspectors and/or the State or Province of Alberta and employed by ABSA

have inspected the component described in this Manufacturer's Data Report on Nov 23/06 and state that, to the best of my knowledge and belief, the Manufacturer has constructed this pressure vessel in accordance with ASME Code, Section VIII, Division 1. By signing this certificate neither the Inspector nor his employer makes any warranty, expressed or implied, concerning the pressure vessel described in this Manufacturer's Data Report. Furthermore, neither the Inspector nor his employer shall be liable in any manner for any personal injury or property damage or a loss of any kind arising from or connected with this inspection.

Date 6/4/03 Signed [Signature] Commissions Alta 5
(Authorized Inspector) (Nat'l Board (incl. endorsements), State, Prov. and No.)

