



FUEL GAS SCRUBBERS INSPECTION REPORT

(Metric)

Facility: BIG GULLY GAS FIELD	Date: May 5, 2010	Report #: IR100505GENd
--------------------------------------	--------------------------	-------------------------------

Area Supervisor: DENNIS MCKAGUE	W.O. / C.C.#: 78175
--	----------------------------

STATIC DATA

Alberta Reg. #:	CRN: F-6388.23	National Board #:	-
Equipment Number: 62020072	Notification #:	Classification:	-
Manufacturer: RJV GASFIELD SERVICES LTD		Serial Number:	2268
Equip. Description: FUEL GAS SCRUBBER		Location (LSD):	14-05-050-24W3
Equipment Tag #: -	Year Built: 1993	Company I.D.#:	BC-161244
Province Installed: SASKATCHEWAN	Registration #: S-19927	Skid / Building #:	BC-161242
Nameplate Attached: YES	Legible: YES	U1A Available:	NO

MAWP: 1034 Kpa	Diameter: O.D. 219 mm	Radiography:	NO	Efficiency:	
MAWT: 38 °C	Diameter: I.D. 203 mm	Stress Relief:	NO	Code Stamp:	UM
MDMT: -29 °C	Length: s/s 762 mm	Ext. Coating:	YES	Position:	VERTICAL
Capacity: - m ³	Overall Length: 965 mm	Insulated:	NO	Support:	-

Internal Coating: NO	Type: -	Thickness: - mm	Manway: NO	Size: - mm
Internal Cladding: NO	Type: -	Thickness: - mm	Test Pressure: 1551 kpa	
Inspection Port: NO	Size: - mm	Location: #1 -	#2 -	

	Type	Material	Thickness	Corrosion Allowance
SHELL	-	SA-106B	8.10 mm	3.17 mm
TOP HEAD	ELLIPTICAL	SA-234-WPB	7.16 mm	3.17 mm
BOTTOM HEAD	Flat	SA-516-70	19.05 mm	3.17 mm

Nozzle Description	I.D. #	NPS	Flange Rating	Type	Material	Thickness	Length
Inlet	-	25 mm	- #	NPT	SA-105N	- mm	- mm
Outlet	-	51 mm	- #	NPT	SA-105N	- mm	- mm
Drain	-	25 mm	- #	NPT	SA-105N	- mm	- mm

PROCESS DATA

Product Description: NATURAL GAS	Service: SWEET
Operating Pressure: 152 Kpa	Operating Temperature: - °C

PSV STATIC DATA

Tag Number: 2650	Manufacturer: CONSOLIDATED		
Company I.D. #: BC-161245	Model # / Type: 1990C-XLC19-1111		
Serial Number: 93C2053	CRN: O1832.52		
Inlet Size: 25 mm	Rating: - #	Set Pressure: 862 Kpa	Code Stamp: UV NB
Outlet Size: 25 mm	Rating: - #	Capacity: 253 SCFM	Back Pressure: - Kpa
Location of PSV: SIDE OF FUEL GAS SCRUBBER			

INSPECTION DETAILS

Inspection Reason: CODE INSPECTION	Inspections Required: VE UT
Inspection Test Plan: -	Inspection Type Used: VE UT
Last Inspection Date: -	Next Inspection Type: VE UT
Next Inspection Due: 2015	Outstanding Repairs: NO
RBI Category: A B C D	

VESSEL STATUS

Integrity Status: SUITABLE FOR CONTINUED SERVICE	Inventory Status: ISF
This IR completes a thorough inspection; reschedule as indicated. YES	Partial inspection; do not reschedule. -



FUEL GAS SCRUBBERS INSPECTION REPORT

(Metric)

Facility: **BIG GULLY GAS FIELD** Date: **May 5, 2010** Report #: **IR100505GENd**

INSPECTION SUMMARY

A thorough inspection to verify the equipments integrity was done by VE and UT.
There were no rejectable defects observed at this time; the vessel can be recommended fit for service.
There are no recommendations to be made at this time.
There were no repairs performed that were related to this inspection.
No IDR's were issued at this time.
There was no internal inspection performed at this time.
There was no internal NDE performed during this inspection.
The nameplate is in tact and legible.
The instrumentation and its tubing are in good working condition with no detectable leaks.
The pressure retaining welds are in tact with no evidence of deterioration or visible cracking.
The vessel support is securely bolted to the skid floor.
The anchor bolts are in fair condition.
The vessel's ground connection is through the skid's ground rod.
The vessel is protected by a PSV that is past due for servicing.
The vessel is painted with no notable coating defects.
The piping and piping attachments are in fair condition with no detectable leaks.
The piping clamps and supports are tight and in good condition.
The attached piping is painted with no notable defects.

RECOMMENDATIONS

REPAIRS COMPLETED

INSPECTION OBSERVATIONS

NON COMPLIANCES ISSUED

The PSV is past due for servicing. 04/2003 - S/N 93C2053 CONSOLIDATED
An NCR was not created as operations is to rectify the issue in a timely manner.
As per Dennis McKague the PSV is to be serviced within the week.
A service report is to be sent to Silvertip with the service information and date.

INSPECTION DEFICIENCIES ISSUED

FUEL GAS SCRUBBERS INSPECTION REPORT

(Metric)

Facility: BIG GULLY GAS FIELD	Date: May 5, 2010	Report #: IR100505GENd
--------------------------------------	--------------------------	-------------------------------

EXTERNAL VISUAL INSPECTION

ID	Description	Condition	Location	NCR	Comments
GENERAL					
V2	Corrosion	No			Acceptable
V3	Leaks	No			Acceptable
V7	Heads	Fair			Acceptable
V9	Electrical Ground	Fair			Acceptable
V11	Coating/Painting	Fair			Acceptable
V13	Gauges/Site Glass	Fair			Acceptable
V14	Shell	Fair			Acceptable
SUPPORTS					
V21	Other (Please Explain)	Fair			Acceptable
V23	Anchor Bolts	Fair			Acceptable
CONNECTIONS					
V32	Small Branches	Fair			Acceptable
V33	Nozzles	Fair			Acceptable
RELIEF DEVICE					
V51	Other (Please Explain)	Poor			Past due
V52	Corrosion	No			Acceptable
V53	Leaks	No			Acceptable
V54	Restricted Inlet/Outlet	No			Acceptable

EXTERNAL NDE

NDE inspections were performed by Silvertip Inspection Services Ltd.
The UT values recorded on the vessel are above nominal.
See the attached NDE reports for more detailed information.

INTERNAL VISUAL INSPECTION

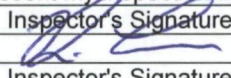
INTERNAL NDE

PRESSURE TESTS

Test Completed: -	Test Pressure: - Kpa	Test Acceptable: -	Test Report #: -
-------------------	----------------------	--------------------	------------------

INSPECTOR CERTIFICATION AND ACCEPTANCE

I, the undersigned, certify that the equipment stated above has been inspected in accordance with the assigned task list and that the statements within this report are correct and represent my inspection findings.

External Inspector's Name: GUY NORMAND C.E.T.	Inspector's Certification: API 510, 653, ABSA PESL, NACE	Inspector's Signature: 	Date: MAY 5, 2010
Internal Inspector's Name:	Inspector's Certification:	Inspector's Signature:	Date:
-	-	-	-

CHIEF OR LEAD INSPECTOR'S ACCEPTANCE AND SCHEDULE CONFIRMATION

Inspector's Name: RAY TRACHUK	Inspector's Certification:	Inspector's Signature:	Date:
Vessel Inspection Interval: 5 Years	Leave "As Is":	Change to: Years	PSV Inspection Interval: 5 Years
			Leave "As Is":
			Change to: Years

Office Use Report Entered to SEQA Database by: _____ Date: _____
 Only: Static Data Verified by: _____ Date: _____

(Metric)

Facility: **BIG GULLY GAS FIELD** Date: **May 5, 2010** Report #: **IR100505GENd**

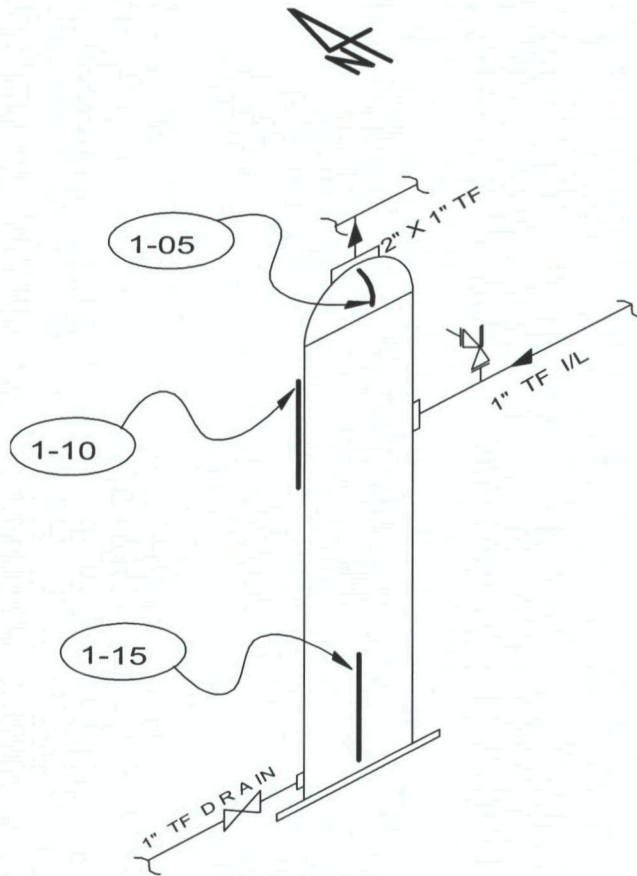


NAMEPLATE



OVERALL VIEW

FACILITY: BIG GULLY GAS FIELD		DATE: MAY 05, 2010		REPORT #: IR100505GENd			
AREA SUPERVISOR: DENNIS MCKAGUE				W.O. / C.C.#: 78175			
STATIC DATA							
Alberta Reg. #: 62020072		CRN: F-6388.23		National Board #: -			
Equipment Number: 62020072		Notification #: -		Vessel Class: -			
Manufacturer: RJV GASFIELD SERVICES LTD				Serial Number: 2268			
Equip. Description: FUEL GAS SCRUBBER				Location (LSD): 14-05-050-24W3			
Equipment Tag #: -		Year Built: 1993		Company I.D.#: BC-161244			
Province Installed: SASKATCHEWAN		Registration #: S-19927		Skid / Building #: BC-161242			
MAWP: 1034 Kpa	Diameter: O.D. 219 mm	Radiography: NO	Nozzle Rating: - #	Position: VERTICAL			
MAWT: 38 °C	Diameter: I.D. 203 mm	Stress Relief: NO	Code Stamp: UM	Support: -			
MDMT: -29 °C	Length: S/S 762 mm	External Coating: YES	Capacity: m3	Insulated: NO			
Internal Coating: NO	Thickness: mm	Internal Cladding: NO	Type: -	Thickness: mm			
Material		Thickness		Corrosion Allowance			
Shell: SA-106B		8.10 mm		3.17 mm			
Top Head: SA-234-WPB		7.16 mm		3.17 mm			
Bottom Head: SA-516-70		19.05 mm		3.17 mm			
Nozzle Description	I.D. #	NPS	Flange Rating	Type	Material	Thickness	Length
Inlet	-	25 mm	- #	NPT	-	mm	mm
Outlet	-	51 mm	- #	NPT	-	mm	mm
Drain	-	25 mm	- #	NPT	-	mm	mm
PROCESS DATA							
Product Description: NATURAL GAS		Service: SWEET					
Operating Pressure: 152 Kpa		Operating Temperature: °C					



TML	TML LOCATION	
	ITEM DESC.	
1-05	TOP HEAD	B-T
1-10	TOP SHELL	T-B
1-15	BOTTOM SHELL	T-B

THICKNESSES		
NOM.	C.A.	MIN.
7.2	3.2	4.0
8.1	3.2	4.9
8.1	3.2	4.9

THICKNESS @ LOW PNT
9.4
8.2
8.9

BELOW NOMINAL
-
-
-

BELOW MINIMUM
-
-
-