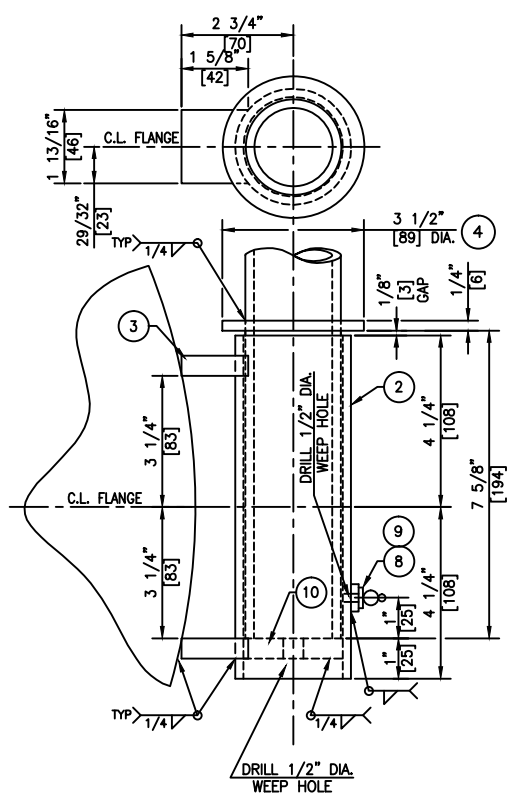
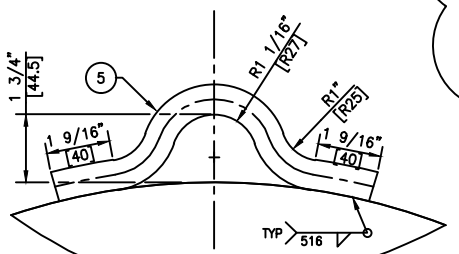


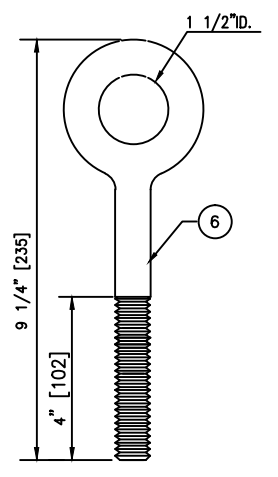
MANWAY MK M1 W/DAVIT DETAIL



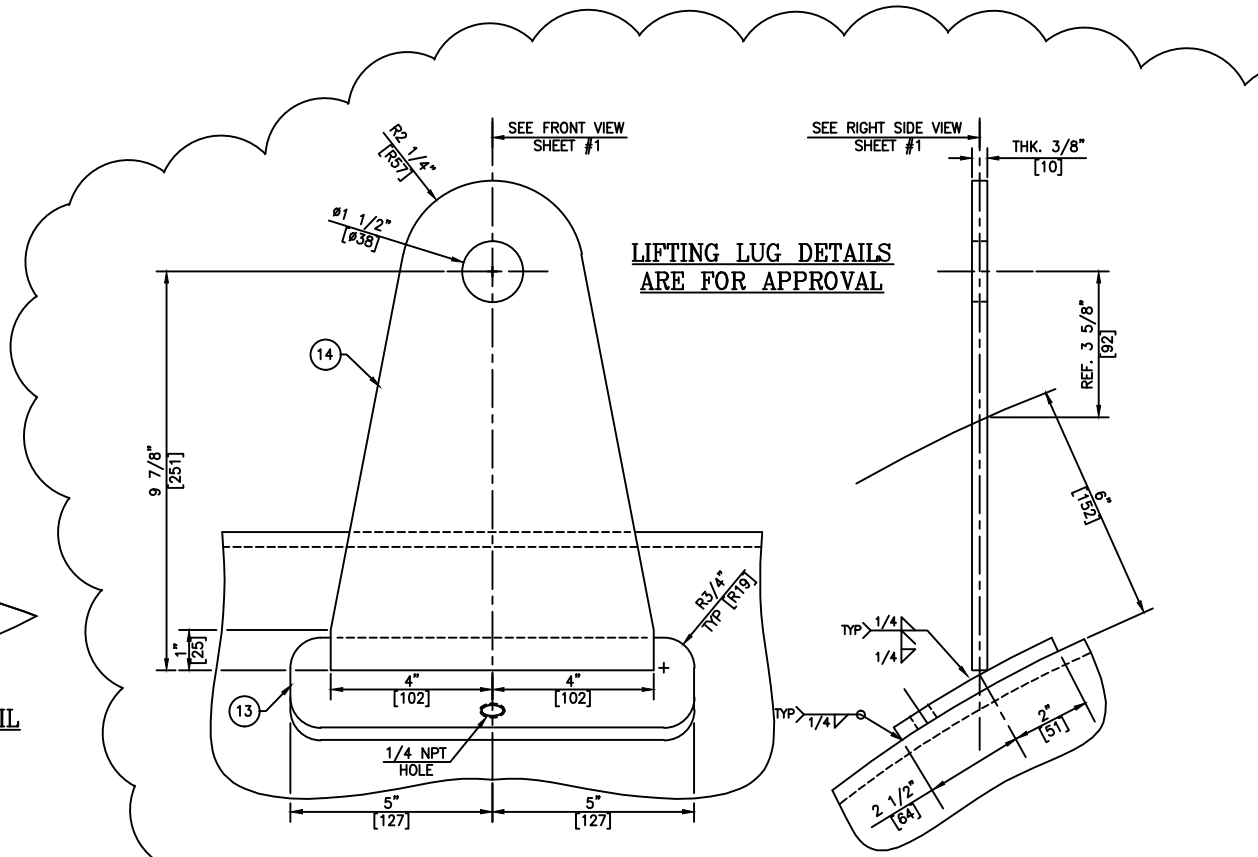
BRACKET DETAIL



BLIND FLG. LIFTING/LUG DETAIL



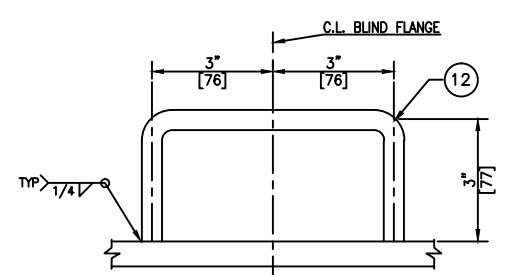
EYEBOLT DETAIL



LIFTING LUG DETAIL  
FOUR (4) REQUIRED

**BILL OF MATERIALS:**

ITEM	QTY.	DESCRIPTION:	MATERIAL
1	1	2" SCH. 80S PIPE 45" LG. ( DAVIT )	SA-312 316/316L
2	1	2 1/2" SCH. 40S PIPE 8 1/2" LG. ( DAVIT BRACKET )	SA-312 316/316L
3	2	PL. 1/2" THK. X 1 5/8" X 1 13/16" LG. ( DAVIT BRACKET )	SA-240 316/316L
4	1	PL. 1/4" THK. X 2 7/16" I.D. X 3 1/2" O.D. ( DAVIT )	SA-240 316/316L
5	1	3/4" DIA. BAR. X 12" LG. (BLIND FLANGE LUG) SEE DETAIL	SA-479 316/316L
6	1	EYEBOLT 3/4" DIA. X 1 1/2" I.D. X 9 1/4" LG. W/4" TREAD & 2 HEX. NUTS	SA-193 B8M/194 GR. 8M
7	1	ONE 3/4" STANDARD FLAT WASHER	SA-479 316/316L
8	1	1/8"-3000# HALF CPLG.	SA-479 316/316L
9	1	1/8" GREASE FITTING	S.S.
10	1	PL. 1/2" THK. X 2 7/16" O.D. ( DAVIT )	SA-240 316/316L
11	1	PL. 1/4" THK. X 1 7/8" O.D. ( DAVIT )	SA-240 316/316L
12	1	1/2" DIA. BAR. X 12" LG. (MANWAY HANDLE) SEE DETAIL	SA-479 316/316L
13	4	PL. 3/8" THK. X 4 1/2" X 10" LG. (LIFTING LUGS PAD) SEE DETAIL	SA-240 316/316L
14	4	PL. 3/8" THK. X 8" X 12 3/8" LG. (LIFTING LUGS) SEE DETAIL	SA-240 316/316L



HANDLE DETAIL  
ONE REQUIRED

REV.	DESCRIPTION	DATE	BY	APPROVED
C	RE-ISSUED FOR APPROVAL	08/08/12	SG	DB
B	RE-ISSUED FOR APPROVAL	05/24/12	SG	DB
A	ISSUED FOR APPROVAL	04/02/12	SG	DB

CODE: CUSTOMER P.O. No.: LATER SHOP ORDER No.: 12459 DRAWN BY: SALVADOR GONZALEZ REVISED BY: S.G. DATE: 05/24/2012 CHK'D BY: DANNY S. BUGARIN DATE: 05/24/2012 APPR'D BY: DANNY S. BUGARIN DATE:		R.C. TECHNICAL WELDING & FABRICATION, INC. ALLOY METAL SPECIALISTS 12814 MULA LANE STAFFORD, TEXAS 77477 CUSTOMER: VAREC BIOGAS CLIENT: HUSKY HUSKY ANSEL GAS PLANT PROJ. No. CS15481 TITLE: <b>HC DRAIN DRUM          PRESSURE VESSEL-HORIZONTAL</b> ITEM No.
SIZE: D FILE NAME: G:12459-1 SCALE: N/A	DWG. No.: <b>RCT12-12459</b>	REV. C DWG. IN AUTOCAD 2011 SHEET 1 OF