

TOTAL WIDTH- 11'-9" TOTAL LENGTH- 32'
 TOTAL HEIGHT- 14'-4" APPROX. WEIGHT- 19,500 LBS

RJV

GAS FIELD SERVICES

4901 BRUCE RD VEGREVILLE, ALTA
 T9C-1C3

PHONE (780) 632-7774
 FAX (780) 632-6820

REV DATE DESCRIPTION BY

TITLE: HUSKY OIL OPERATIONS LIMITED

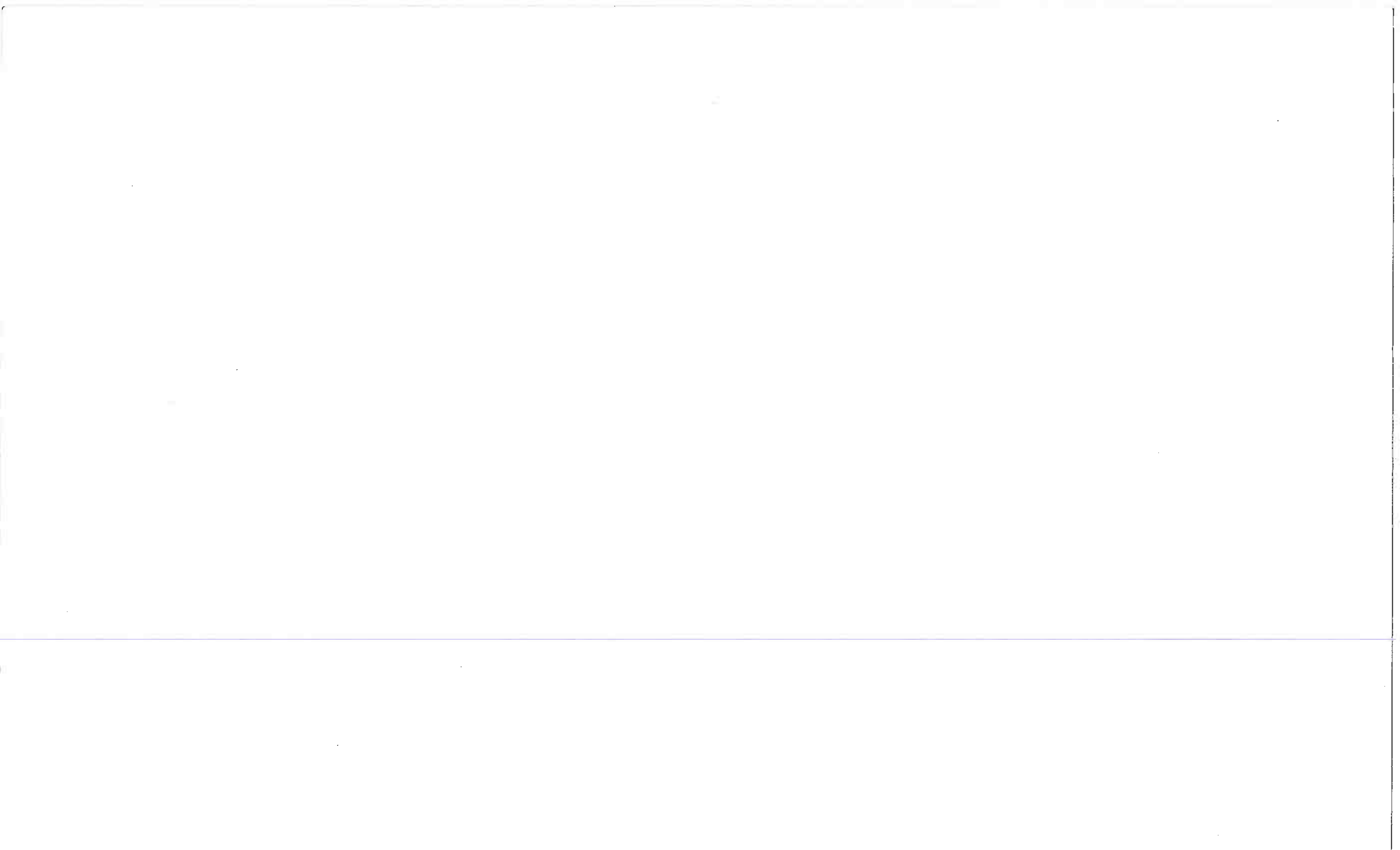
24" x 10' s/s 3-PHASE, 600# ANSI,
 STD. SERVICE, 10 WELL HEADER,
 SATELLITE/TEST SEPARATOR FACILITIES.

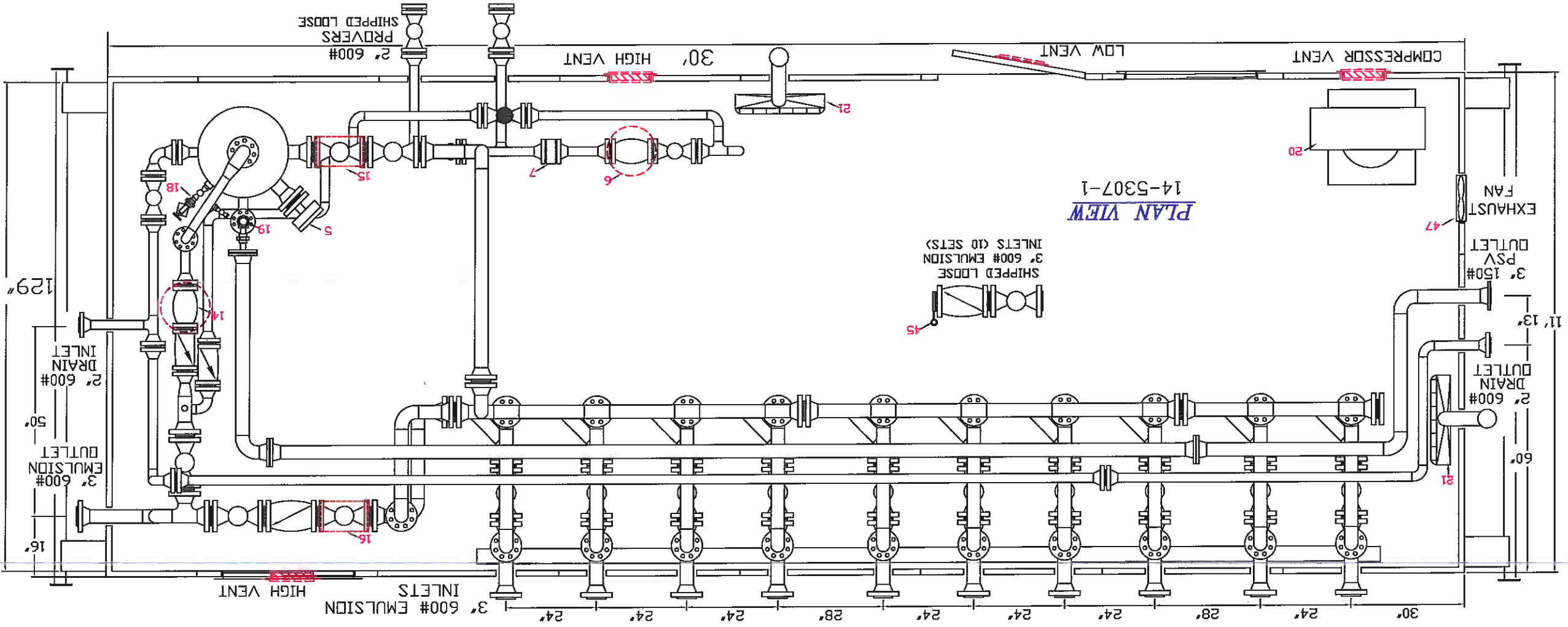
DWG. #	5307-1	REV. #	RJV
			JOB# 14-5307

WARNING !

This drawing and the design it covers are confidential and shall not be disclosed to others or reproduced in any manner, or used for any purpose whatsoever, except with written consent of R J V Gas Field Services Ltd.

Dwn By: SI Date: AUG. 15/14 Scale: N.T.S.

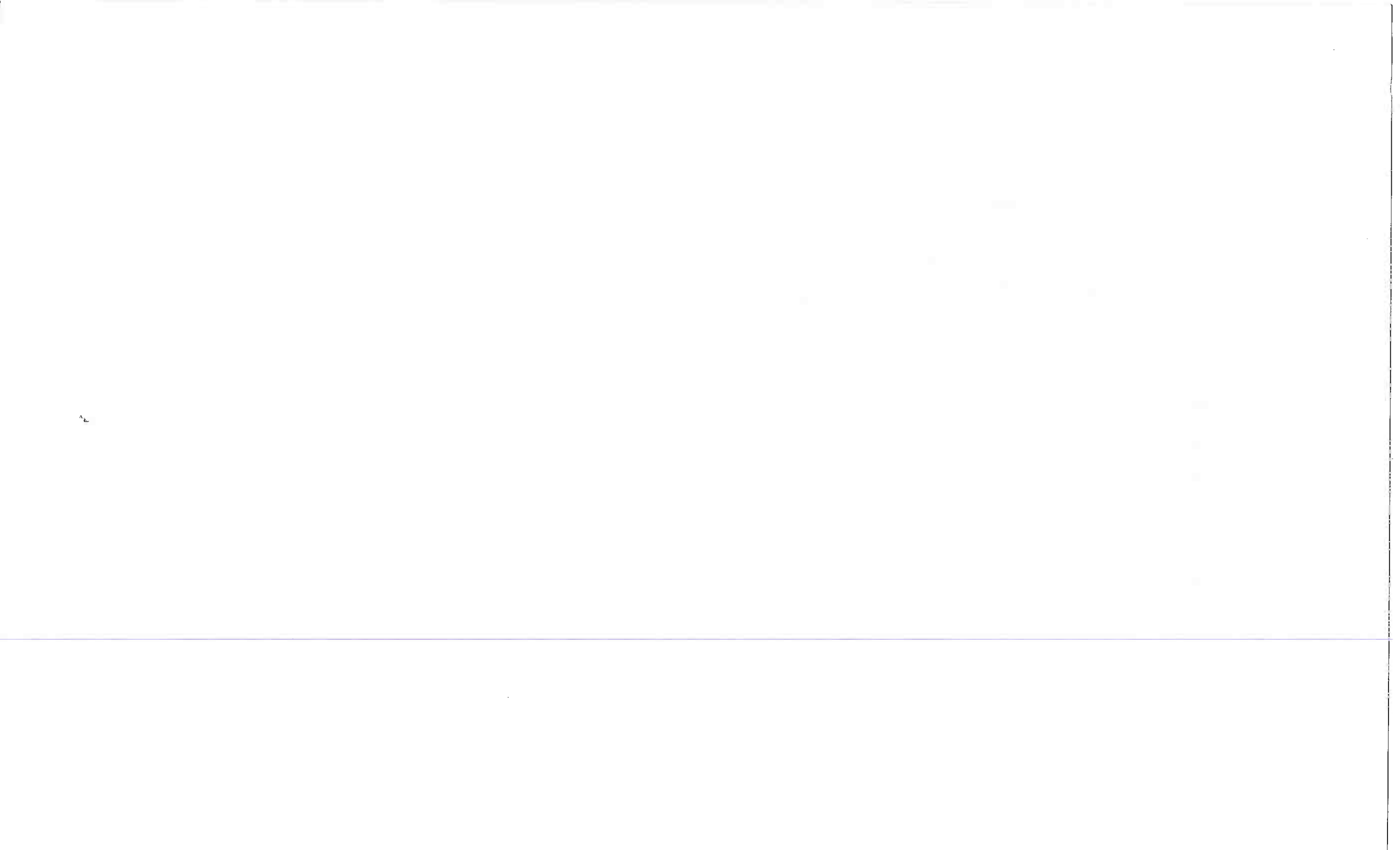




**14-5307-1
PLAN VIEW**

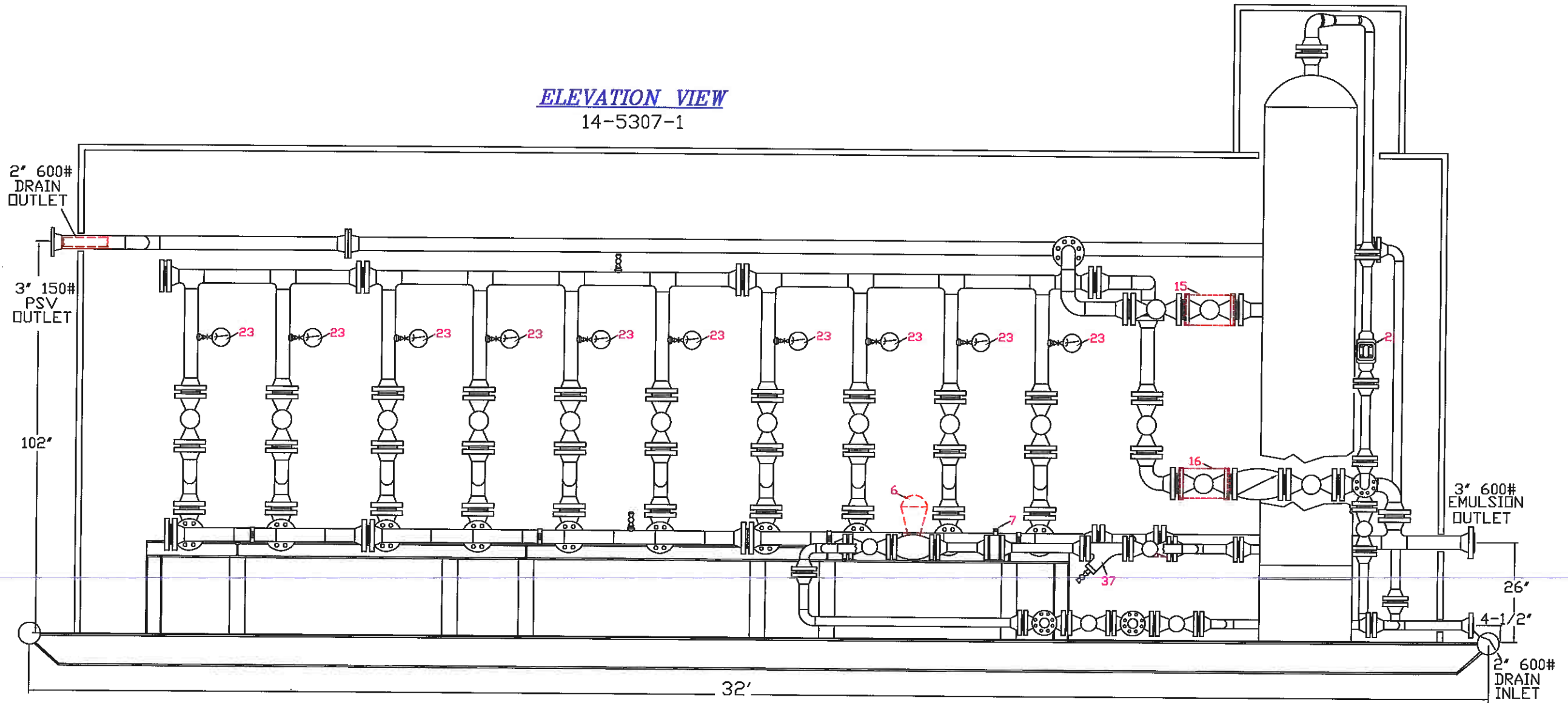
SHIPPED LOOSE
3" 600# EMULSION
INLETS (10 SETS)

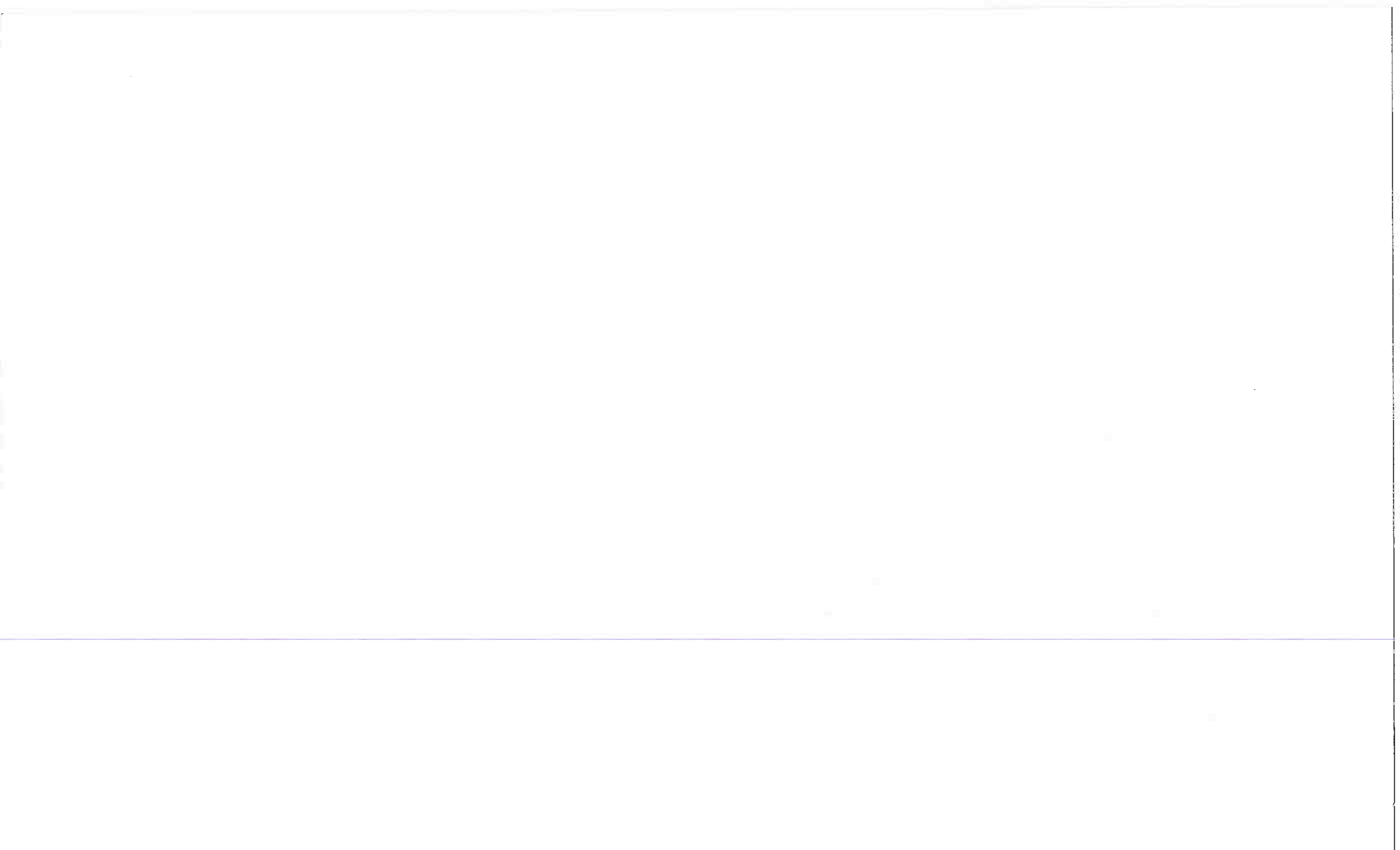
30' HIGH VENT
30' HIGH VENT
LOW VENT
COMPRESSOR VENT
EXHAUST FAN
PSV
3" 150#
OUTLET
2" 600#
DRAIN
OUTLET
11' 13"
60"
30'
24'
24'
24'
28'
24'
24'
28'
24'
24'
30'
3" 600# EMULSION
INLETS
HIGH VENT
16"
50"
129"
2" 600#
DRAIN
INLET
5
14
18
19
15
7
6
21
20
47
21
16



ELEVATION VIEW

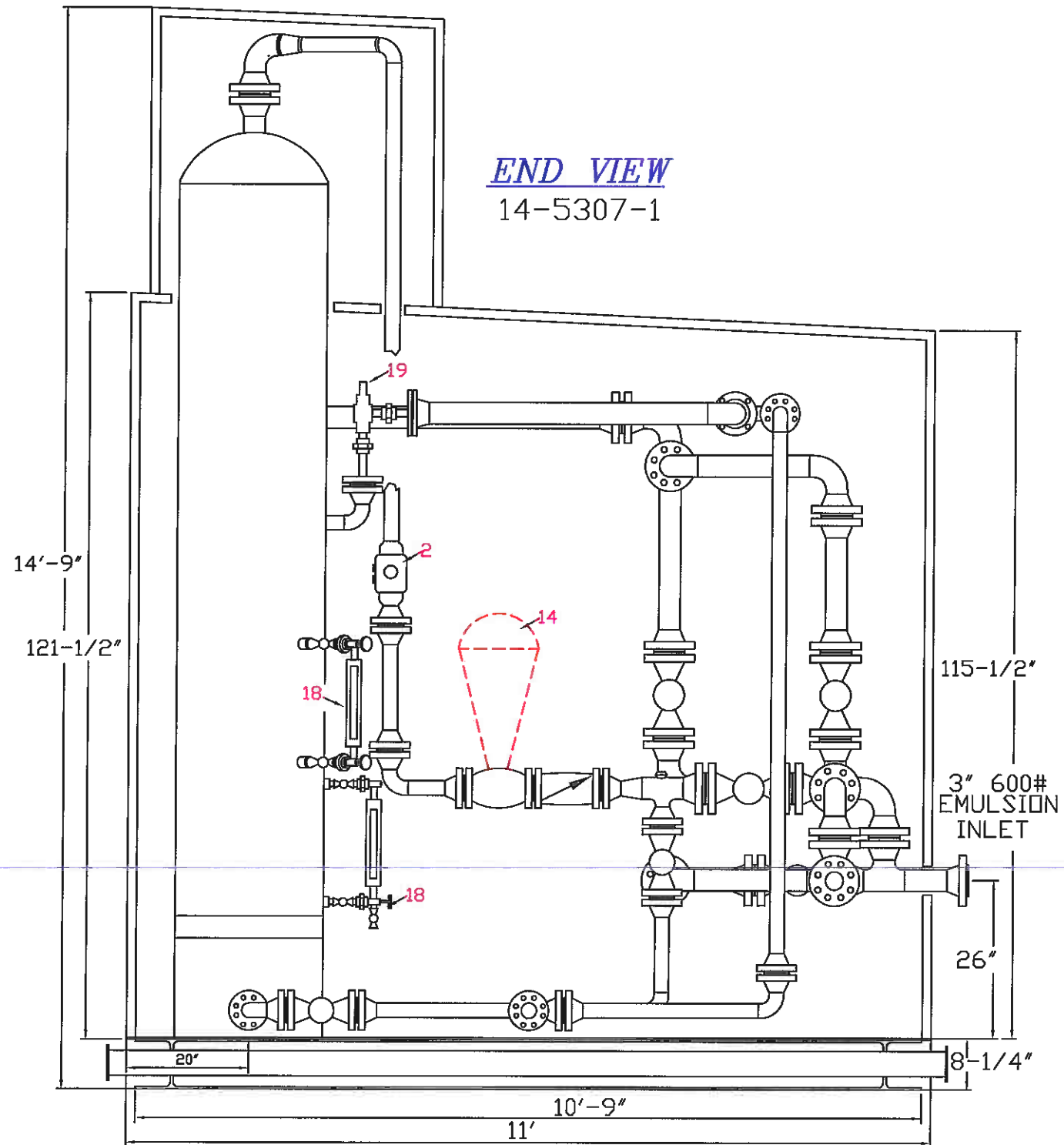
14-5307-1

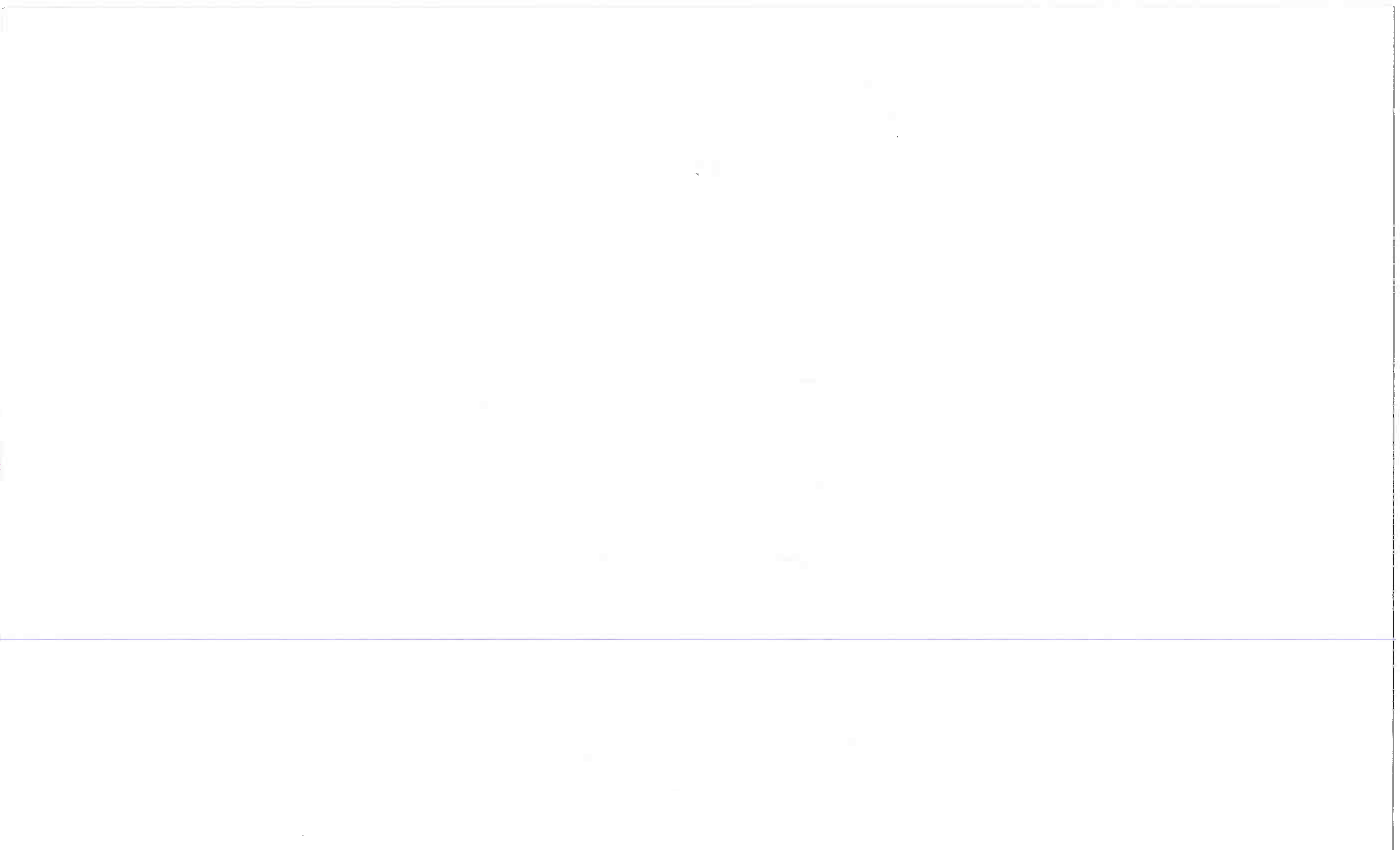


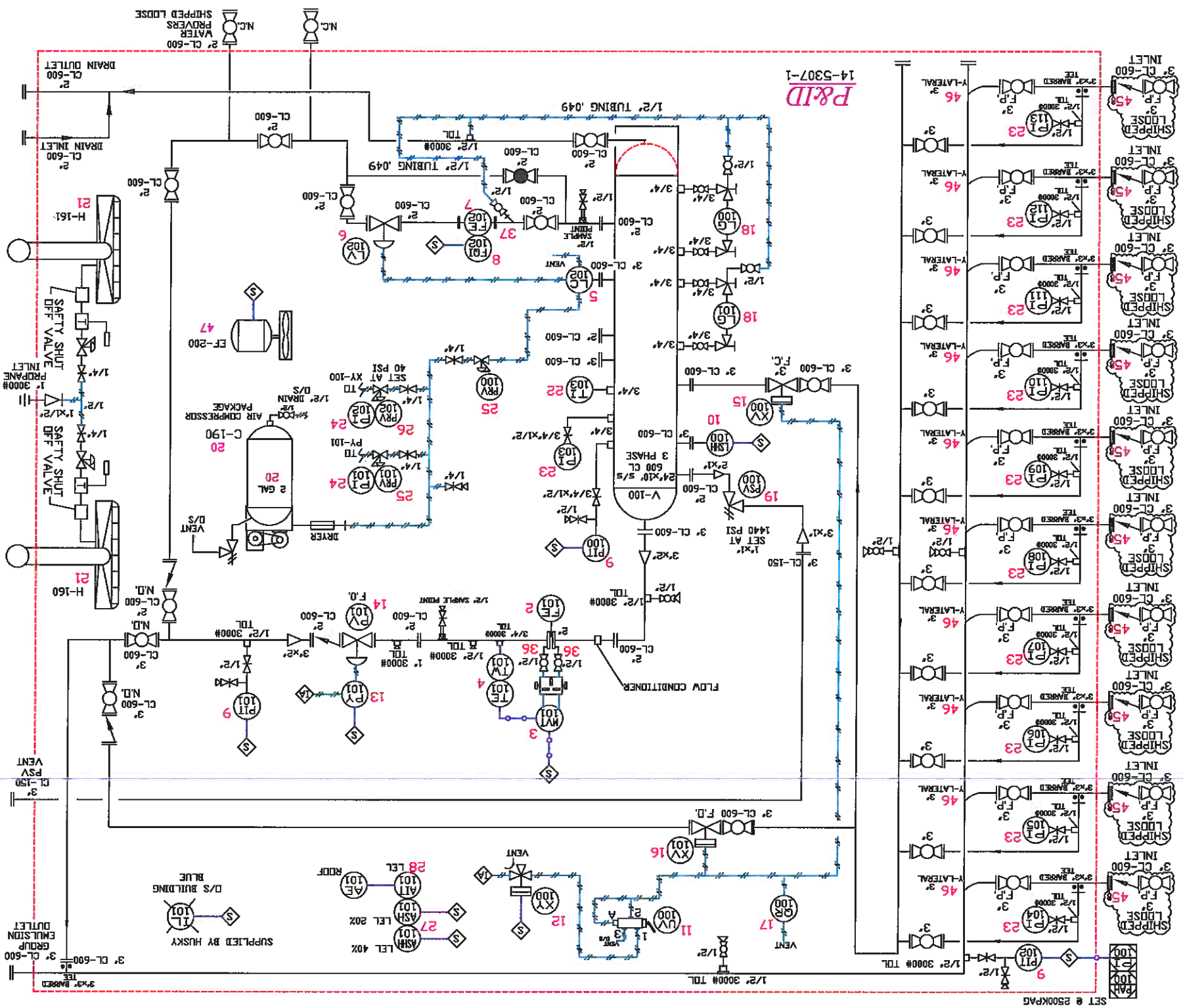


END VIEW

14-5307-1

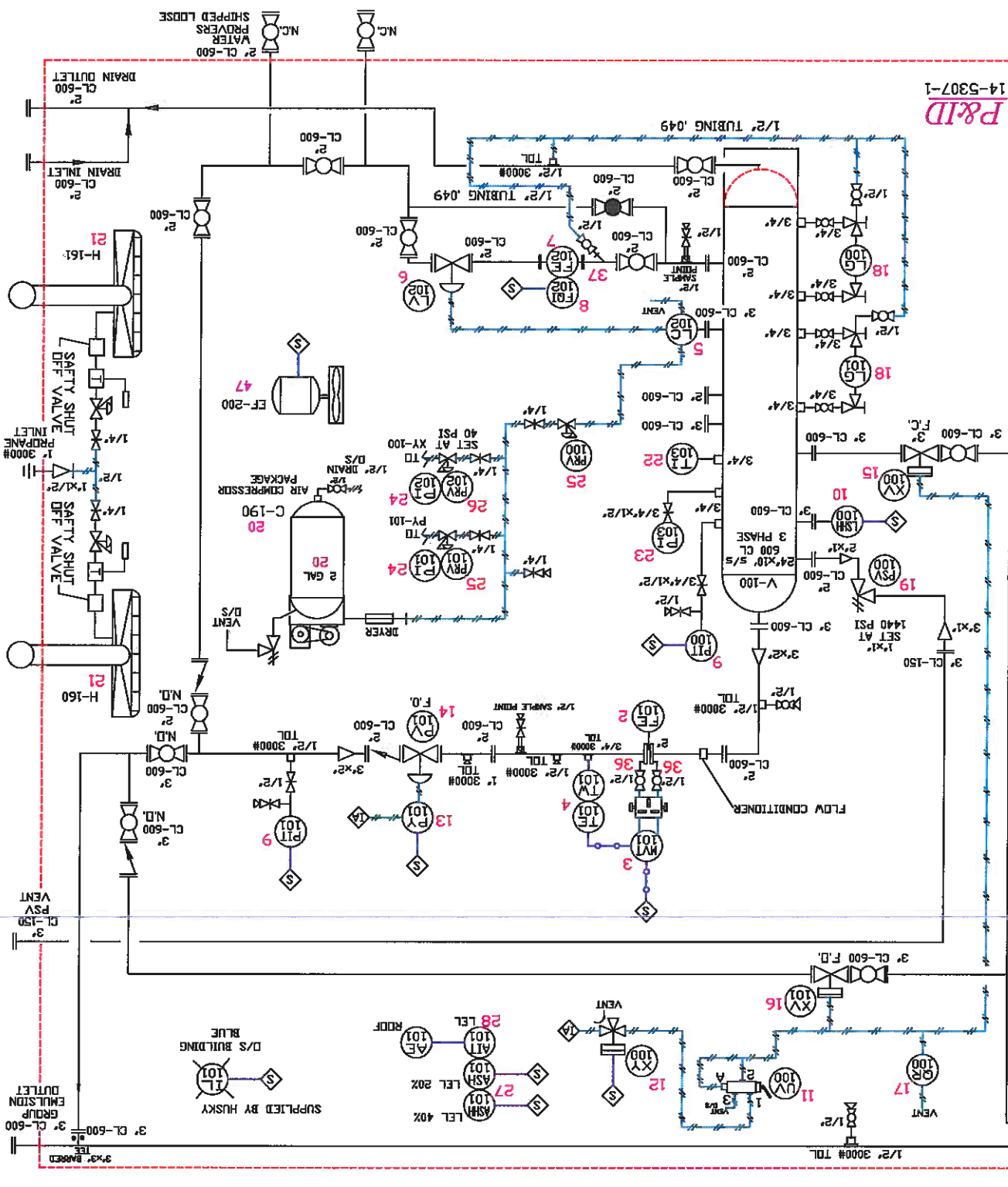
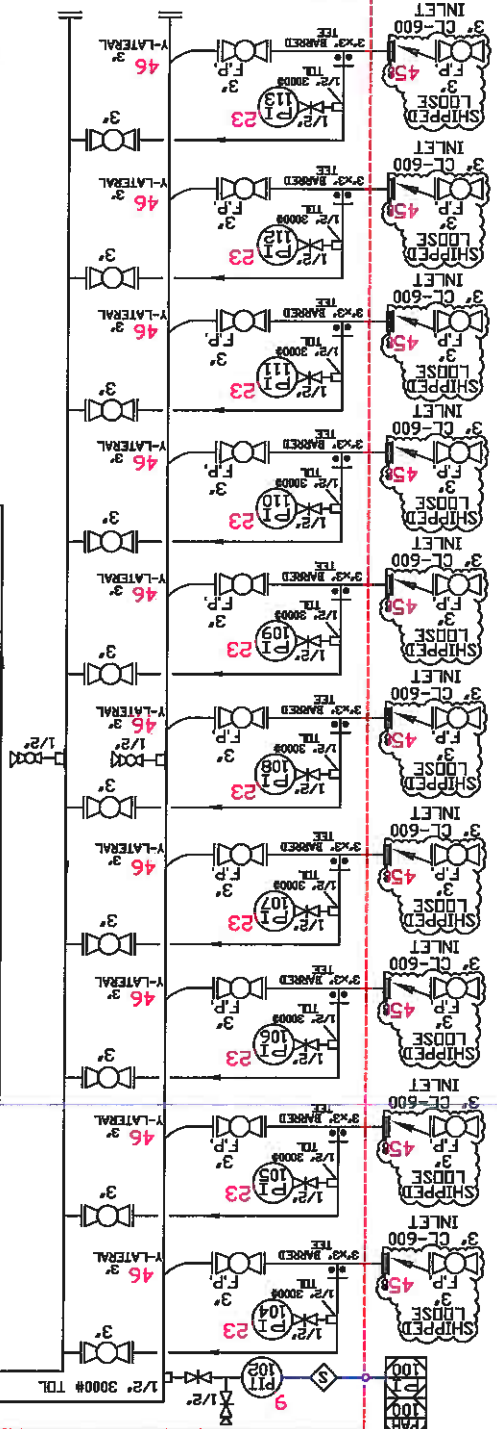






P&ID
14-S307-1

SET @ 2500KPA



SHIPPED LOSS
WATERS
N.C.
2\"/>

CL-600
DRAIN INLET
CL-600
DRAIN OUTLET
CL-600

H-161
SAFETY SHUT OFF VALVE
PROPANE INLET
1\"/>

H-161
SAFETY SHUT OFF VALVE
D/E INLET
1\"/>

CL-600
N.D.
CL-600
N.D.
CL-600
N.D.

CL-600
VENT
CL-150
PSV

CL-600
D/S BUILDING
D/S INLET
1\"/>

CL-600
D/S BUILDING
D/S INLET
1\"/>

CL-600
D/S BUILDING
D/S INLET
1\"/>

CL-600
D/S BUILDING
D/S INLET
1\"/>

CL-600
D/S BUILDING
D/S INLET
1\"/>

CL-600
D/S BUILDING
D/S INLET
1\"/>

CL-600
D/S BUILDING
D/S INLET
1\"/>

CL-600
D/S BUILDING
D/S INLET
1\"/>

CL-600
D/S BUILDING
D/S INLET
1\"/>

CL-600
D/S BUILDING
D/S INLET
1\"/>

CL-600
D/S BUILDING
D/S INLET
1\"/>

CL-600
D/S BUILDING
D/S INLET
1\"/>

CL-600
D/S BUILDING
D/S INLET
1\"/>

CL-600
D/S BUILDING
D/S INLET
1\"/>

CL-600
D/S BUILDING
D/S INLET
1\"/>

CL-600
D/S BUILDING
D/S INLET
1\"/>

CL-600
D/S BUILDING
D/S INLET
1\"/>

CL-600
D/S BUILDING
D/S INLET
1\"/>

CL-600
D/S BUILDING
D/S INLET
1\"/>

CL-600
D/S BUILDING
D/S INLET
1\"/>

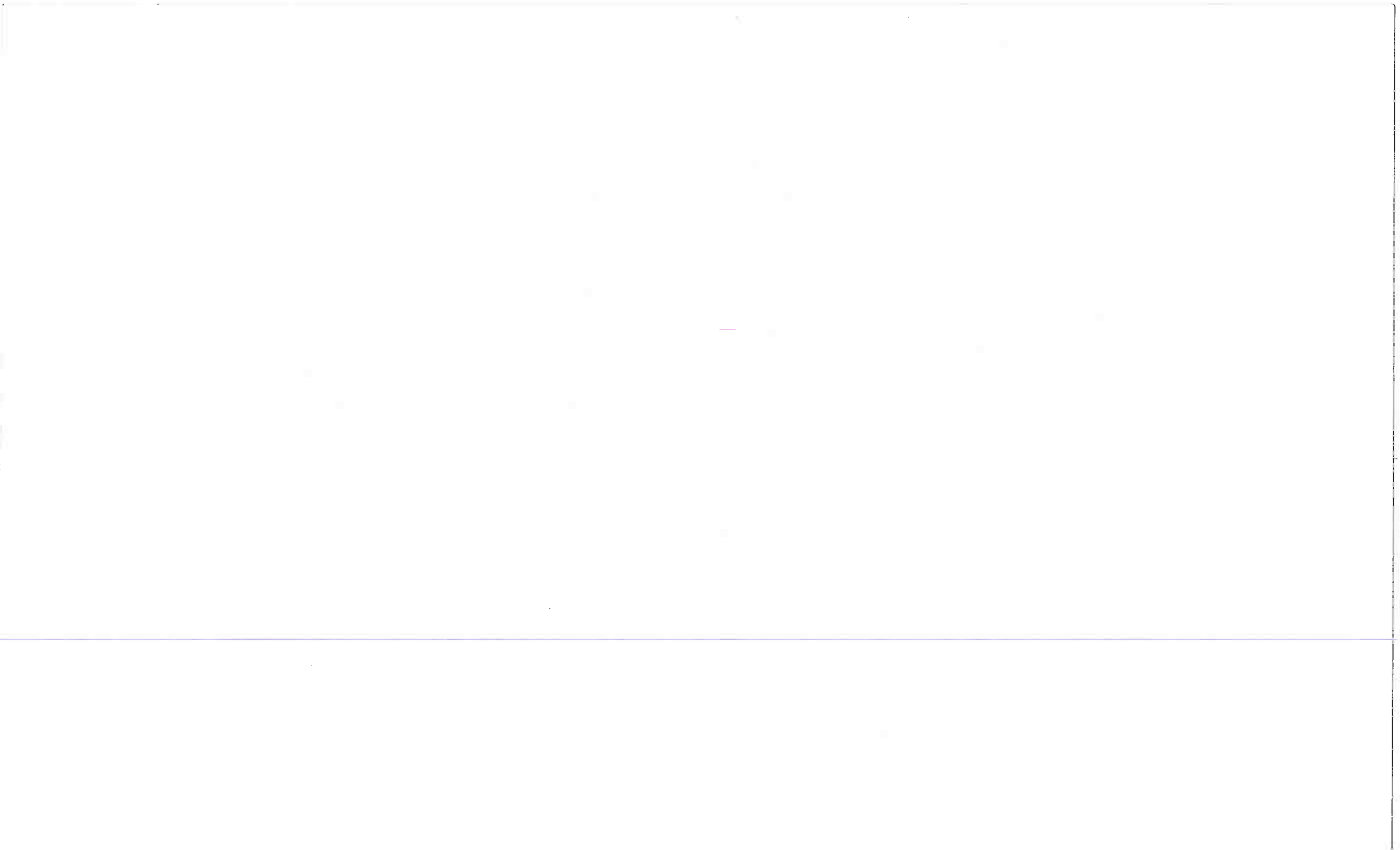
CL-600
D/S BUILDING
D/S INLET
1\"/>

CL-600
D/S BUILDING
D/S INLET
1\"/>

CL-600
D/S BUILDING
D/S INLET
1\"/>

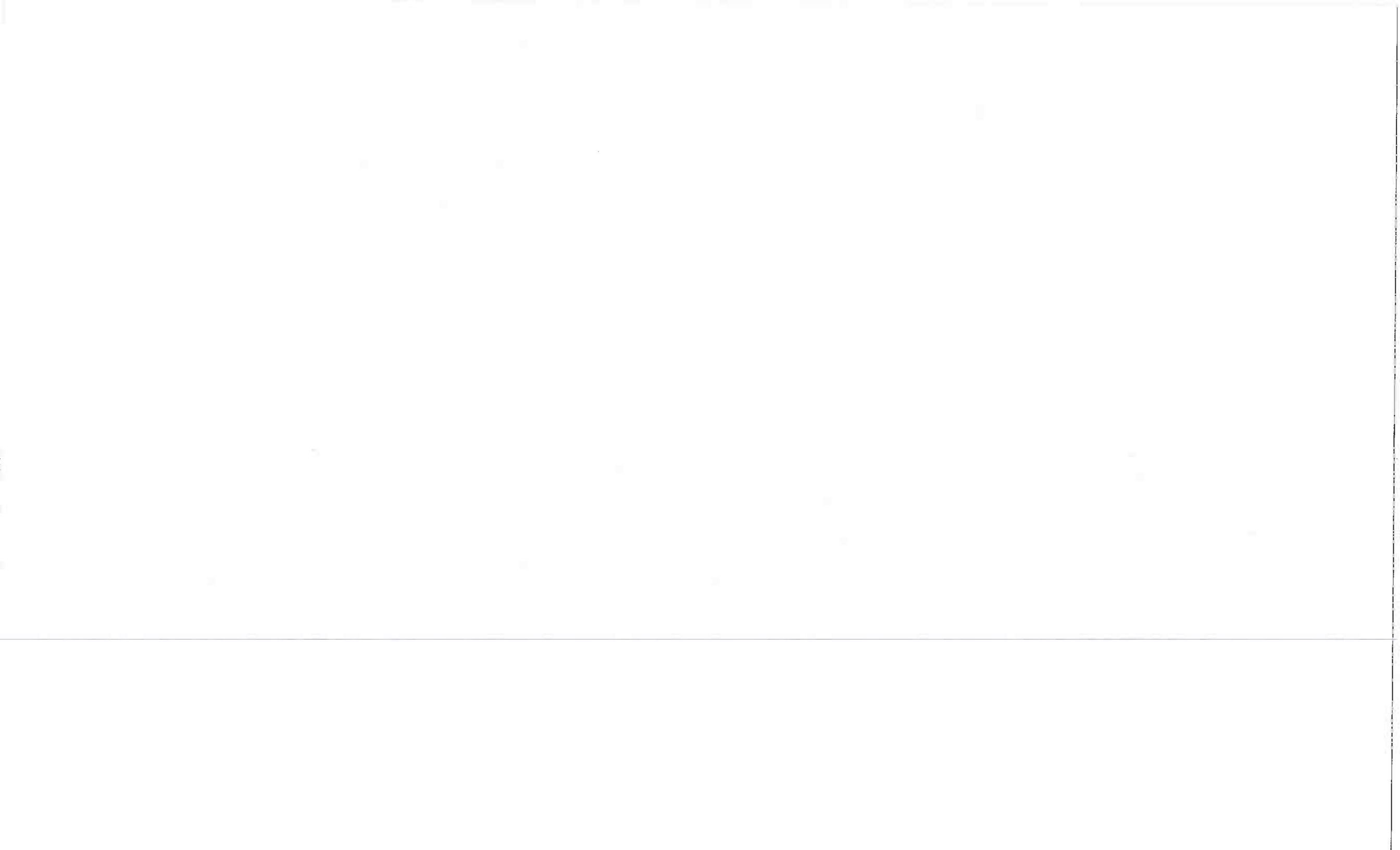
CL-600
D/S BUILDING
D/S INLET
1\"/>

CL-600
D/S BUILDING
D/S INLET
1\"/>



EQUIPMENT

TAG #	ITEM	QTY	DESCRIPTION
V-100	1	1	RJV 24'x10' S/S 600# 1440 PSI 3-PHASE, VERTICAL MISTEX SEPARATOR, 1/8" CA, 10% RADIOGRAPHY, INSPECTED BY ABSA
FE-101	2	1	NUFLO 2" 600 ANSI 1440 PSI SCH 80 . AGA 2000 VERSION, BETA .70, FLOW CONDITIONER CPA, 1-3/4", 2-1/2" 3000# TOL, SENIOR, (54" O/A).
MVT-101	3	1	ROSEMOUNT 3095FB MODEL 3095FB3AB4C6 MULTIVARIABLE TRANSMITTER, DIFFERENTIAL PRESSURE RANGE 0-10 TO 0-1000 IN H2O, (0-25 mbar to 0-2.5 mbar) c/w PANAM 5-VALVE CARBON STEEL MANIFOLD.
TE-101 TW-101 LC-102	4	1	AIRCUM 3-WIRE, 100 OHMS ASSEMBLY, 0-450 C RANGE, c/w 2-1/2" SST THERMOWELL
LV-102	5	1	FISHER 2" NPT SERIES L2 LIQUID LEVEL CONTROL, STANDARD, CS BODY, SNAP ACTING, c/w 1-7/8" x 12" PVC DISPLACER.
FE-102	6	1	FISHER 2" 600# SERIES D3 CONTROL VALVE, STD. 17-4 PH SST HARDENED TRIM, 1" PORT SIZE, 0-35 PSIG SIGNAL (ATD) FAIED CLOSED
FQI-102	7	1	NUFLO 2" 600# WAFER STYLE TURBINE, 2" BORE x 2" TURBINE METER, 316 SST METER BODY, STD. SERVICE, MAGNETIC PICK-UP, 4-400 GPM.
PIT-100/101 102	8	1	NUFLO MODEL MC-111 PLUS FLOW TOTALIZER c/w 3.6 BATTERY, LOCAL DISPLAY PROGRAMMING VIA KEY PAD, PRE-AMP OUTPUT 4-20 mA.
LSHH-100	9	3	ROSEMOUNT SCALABLE PRESSURE TRANSMITTER, MODEL 3051S2TG4A, 14.2 TO 300 PSIG, (-0.98 TO 20.7 bar) RANGE, 1/2" FNPT.
UV-100	10	1	KIMRAY 2" NPT. MODEL 2200 ELECTRIC LEVEL SWITCH, MANUAL TEST BUTTON, CARBON STEEL BODY, 316 SST FLOAT, STD. SERVICE.
XY-100	11	1	AMDT 1/4" NPT MOD# 4057 3-WAY SWITCHING VALVE, STANDARD SERVICE, MANUAL RESET.
PY-101	12	1	ASCO 1/4" NPT SOLENOID VALVE, MODEL EF8314G301, 24 VDC, 3-WAY STAINLESS BODY, EXPLOSION PROOF, 60 PSI MAX. PRESSURE.
PV-101	13	1	FISHER TYPE 12P I/P TRANSDUCER, 4-20 mA INPUT SIGNAL, 35 PSIG., SUPPLY SIGNAL, 6-30 psi OUTPUT SIGNAL, NATURAL GAS SERVICE.
XV-100	14	1	FISHER 2" 600# RFF TYPE 667-D-45 PRESSURE CONTROL VALVE, 1" TRIM, "D-BODY", S17-4H/1150/NIT 50 TRIM, STD. SERVICE, SIZE 45, ACTUATOR, FAIL OPEN, MAX. SHUT IN PRESS. 1440 PSIG
XV-101	15	1	CVS C-160SR07 ACTUATORS c/w 3" 600# RP.-RFF. STD. JAG BALL VALVES, FAIL CLOSED, SUPPLY 40 PSI.,
QR-100	16	1	CVS C-190SR06 ACTUATORS c/w 3" 600# RP.-RFF. STD. JAG BALL VALVES, FAIL OPEN, SUPPLY 40 PSI.,
LG-100/101	17	1	REXROTH QUICK EXHAUST VALVE, 1/4" NPT., DIAPHRAGM OPERATED, PENBURTHY MODEL 1TMS TRANSPARENT GAUGE GLASS, STANDARD c/w 330J GAUGE COCKS & 1/2" DRAIN BALL VALVE.
PSV-100	18	2	TAYLOR 1'x1' NPT MODEL T-8200-1 STANDARD SERVICE, CARBON STEEL BODY, SET @ 1440 PSIG., TYPE E-DRIFICE, 0.212 SG IN/5181 SCFM.
C-190	19	1	SAYLOR-BEALL PNEUMATIC COMPRESSOR MOD. 5-HP, 240 VOLT, 3-PHASE TECO EXP. PROOF MOTOR, 80 US GALLON VERTICAL AIR RECEIVER, 60Hz/1800 rpm, DESIGN PRESS. 200 PSI, CAPACITY DRYER 13 SCFM,
H-160/161	20	1	SAYLOR BEALL 705 DUAL CYLINDER TWO STAGE AIR COMP. PUMP, c/w CACTUS COALESCING MEMBRANE DRYER & PREFILTER ASSEMBLY, CATADYNE BX24X24 20,000 BTU, 120V-AC, PROPANE HEATER
TI-100	21	2	c/w STANDS, SSOV, REGULATORS, 25 FT CABLES, THERMOSTAT, GRILL, VENT HOOD & ELECTRICAL AS PER CEC REGULATIONS.
PI-103-113	22	1	TREND MODEL 33 3" DIAL, 4" STEM, -40/120F DUAL c/w 3/4" x 4" 304 SST THERMOWELL ON VESSEL
PI-101/102	23	13	WIKA #233.54, 4" DIAL, 0-1500 PSI, 1/2" BOTTOM CONN., LIQUID FILLED, DS, c/w PANAM 1/2" 316 SST ISOLATION/BLEED VALVES
PRV-100/101	24	2	WIKA 2 1/2" DIAL 1/4" NPT BOTTOM CONN. #233.53 LIQUID FILLED, DS, 0/60 PSI./0-200 PSI. DN PRV 102
PRV-102	25	2	FISHER 1/4" NPT TYPE 67CFR-362/SPEC STANDARD SERVICE, 5-35 PSI, SPRING RANGE SET @ 30 PSIG., TAPPED BONNET.
	26	1	FISHER 1/4" NPT TYPE 67CFR-601/SPEC STANDARD SERVICE, 0-125 PSI, SPRING RANGE SET @ 40 PSIG., TAPPED BONNET.



ASHH-101
AIT-101

27 1 MILLENNIUM COMBUSTIBLE GAS DETECTOR, MODEL#MLP-A-SC1100-SEP
28 1 BLUE STROBE MODEL S225XST012024R c/w CALIBRATION CAP
29 2 KILLARK 150W/120V MH FIXTURE, MODEL EZPI56X2GSU103
30 1 KILLARK 70W/120V MH FIXTURE, MODEL VM3076B2GLGNRAS
31 10 PBV 1/2" NPT 2000 PSI STANDARD SERVICE, 316 TRIM, BALL VALVE
32 4 PBV 3/4" NPT 2000 PSI STANDARD SERVICE, 316 TRIM, BALL VALVE
33 1 PBV 1" NPT 2000 PSI STANDARD SERVICE, 316 TRIM, BALL VALVE
34 3 PANAM 1/4" NPT 6000 PSI CARBON STEEL NEEDLE VALVES
35 3 PANAM 1/2" NPT 6000 PSI CS MULTIPORT c/w BLEED NEEDLE VALVES
36 2 SWAGelok 1/2" NPT 2000 PSI FULL PORT BALL VALVE ON METER RUN,
37 1 ALBERTA STRAINER 2" 600# RFF 1480 WP., FIG#YS800
38 1 JSI 2" 600# ANSI RF. GLOBE VALVE, STANDARD TRIM
39 8 PBV 2" 600# ANSI RF, REG. PORT FIG#T3-F20R06-S STANDARD SERVICE
40 14 PBV 3" 600# ANSI RF, REG. PORT FIG# T3-R30R06-S STD. SERVICE
41 20 PBV 3" 600# ANSI RF. FULL PORT FIG# T3-R30R06-S STD. SERVICE
42 2 PBV 2" 600# RF FIG#2S-50ST-14-F, SWING STYLE CHECK VALVE
43 11 PBV 3" 600# RF FIG#3S-50ST-14-F, SWING STYLE CHECK VALVE
44 2 WELKER GAS SAMPLE QUILL SP-6, c/w 1/2" ISOLATION NEEDLE VALVE
45 10 3" 600# ANSI PADDLE TYPE SPEC. BLIND
46 10 3"x3"x3" SCH. 40 Y-LATERAL RATED FOR 9930 KPA,
47 1 CAN-ARM EXPLOSION PROOF 12"x12" EXHAUST FAN, 120 VOLT,
SINGLE PHASE, WIRED BY OTHERS, 1/2 HP,
TUBING & FITTINGS- 3/8" .035 316 SST, 1/2" .049
SWAGelok 316 STAINLESS STEEL
SKID- RJV 11'x32' c/w 8"@31 WF (RUNNERS & CROSS BEAMS),
6"@15 WF (VESSEL SUPPORTS), 6"@8.2 CHANNEL IRON (CROSS BEAMS),
3/16" CHECKER PLATE (FLOORING), 3-1/2" DRILL STEM PULL BARS
@ BOTH ENDS, 3" FR URETHANE FOAM UNDERSKID INSULATION
BUILDING-11' WIDE x 30' LONG x 10'x9'-6" SHED STYLE ROOF
RJV 1-1/2' URETHANE INJECTED PANEL STYLE
30 GAUGE WHITE PREPAINTED INTERIOR
AND EXTERIOR, R12 INSULATION VALUE,
DOOR- 3'x7' STEEL PREPAINTED WHITE, DOG DOOR,
PANIC HARDWARE, c/w LOCKING CYL, DOOR HOLDER
VENTS- 2-12"x12" INSULATED ALUMINUM LOUVERED VENTS,
WINDOWS- 2- 36"x36' DG SLIDERS @ SCREENS
FLANGES- SA-105N 600# SCH 80 - 2", SCH. 40-3"
WELD FITTINGS- SA-234-WPB SCH 80 & 40
SCREWED FITTINGS- SA-105N 3000# FS
OLETS- SA-105N 3000# FS
ALL FLANGES/PIPE OUTSIDE-A 350 LF2/A333, ALL LOW TEMP.
PIPE & NIPPLES- SA-106 GR B SEAMLESS
THREADED/PIPE/NIPPLES/SWAGES- 150#- SCH 80 & 600#- SCH 160
BOLTING- ASTM A193 B7 STUDS/ A194 2H NUTS
GASKETS- 316 SST GRAPHITE FILLED FLEXITALLIC
ALL WELDED PIPING SHALL BE SUBJECTED TO 10% RADIOGRAPHY
ALL WELDED PIPING AND EQUIPMENT SHALL BE HYDROTESTED,
TO 1.5 TIMES DESIGN PRESSURE. 600# ANSI- 2,160 PSIG.
ALL VENTING CONTROLS TO BE VENTED
ALL CONTROLS TO BE OPERATIONALLY AIR TESTED.
ALL METAL SURFACES TO BE SANDBLASTED TO
SSPC-SP-6, 1 COAT OF GREY PRIMER
SKIDS, EQUIPMENT & PIPING- SILVER GREY
1 FINISH COAT OF ENAMEL PAINT AS FOLLOWS
CHECKERED PLATE FLOORING- SILVER GREY

EF-200

