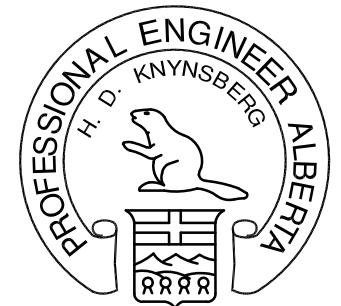
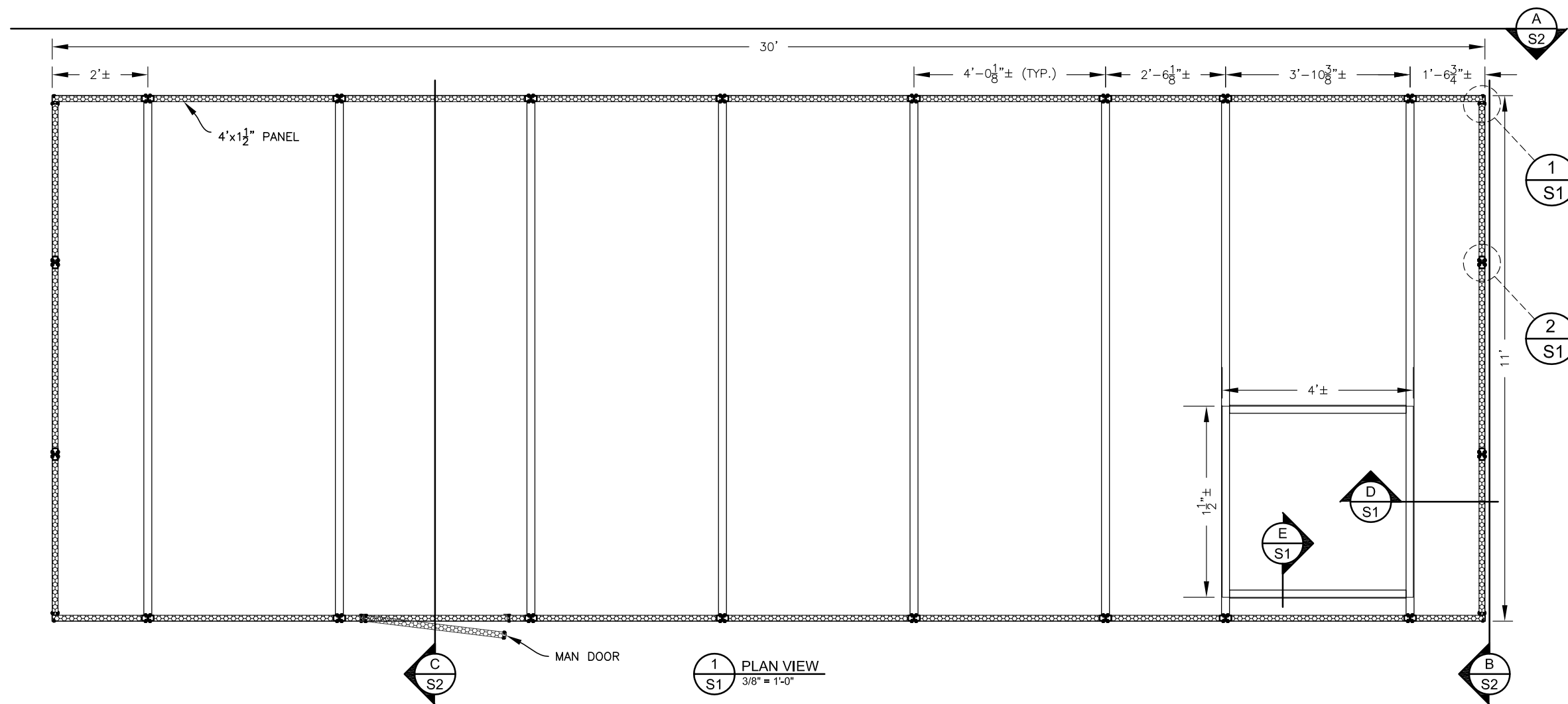


**NOTES:**

1. Panels are 1 1/2" thick 1.7pcf density polyurethane, with 28Ga pre-finished steel faces.
2. Aluminum sections are typically assumed to be 6063-T5 except 1 1/2"x1 1/2"x1/4" which shall be 6061-T6 aluminum. Profiles are by RJV.
3. Skid base is by others.
4. Design Loads (Based on Grand Prairie)
  - 4.1. Wind load: q1/50 = .47 kPa
  - 4.2. Snow load: Ss = 2.2 kPa, Sr = 0.1 kPa
5. Enclosure is considered to have low human occupancy.



**PERMIT TO PRACTICE**  
**FULCRUM ENGINEERING LIMITED**

Signature \_\_\_\_\_

Date \_\_\_\_\_

**PERMIT NUMBER: P 5627**  
 The Association of Professional Engineers,  
 Geologists and Geophysicists of Alberta

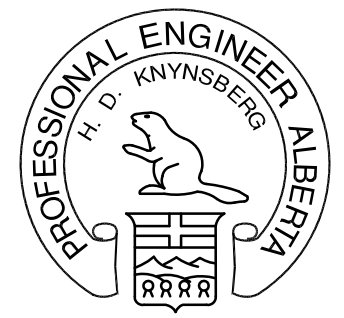
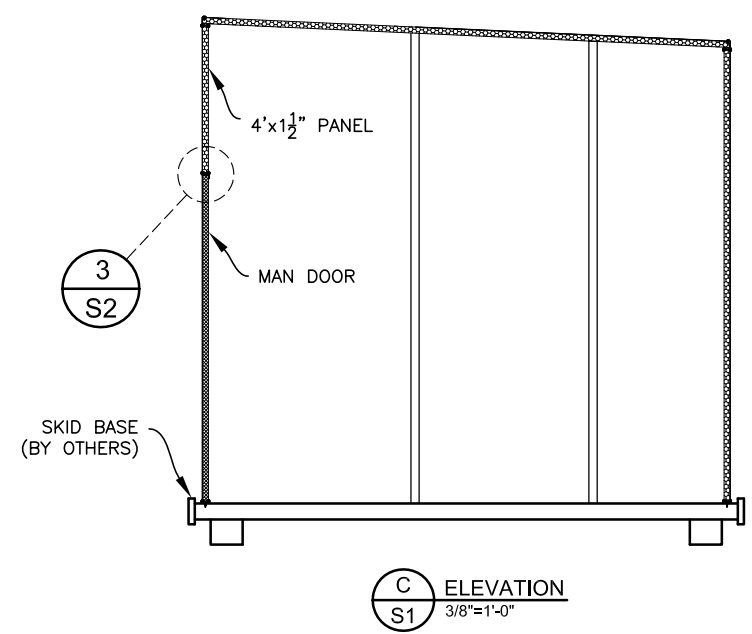
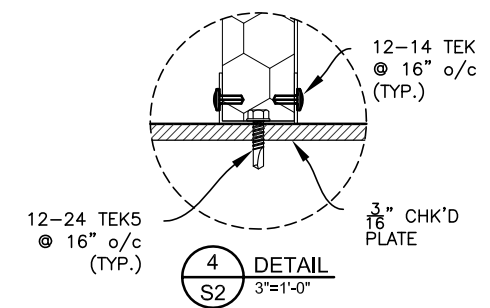
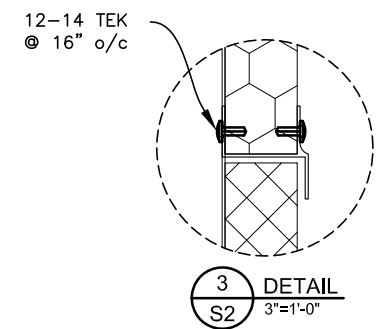
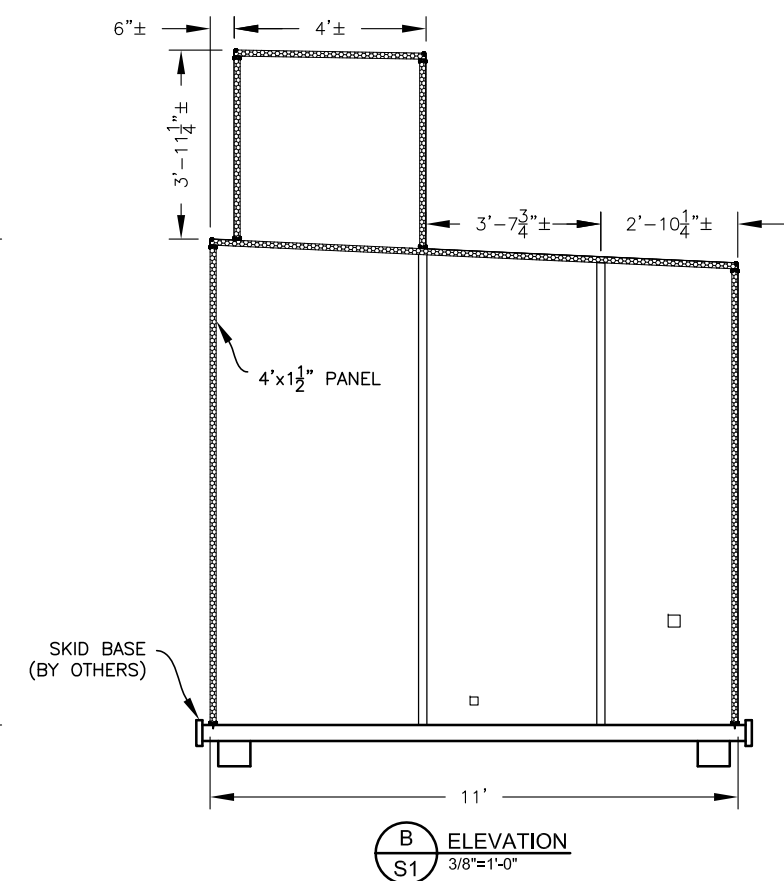
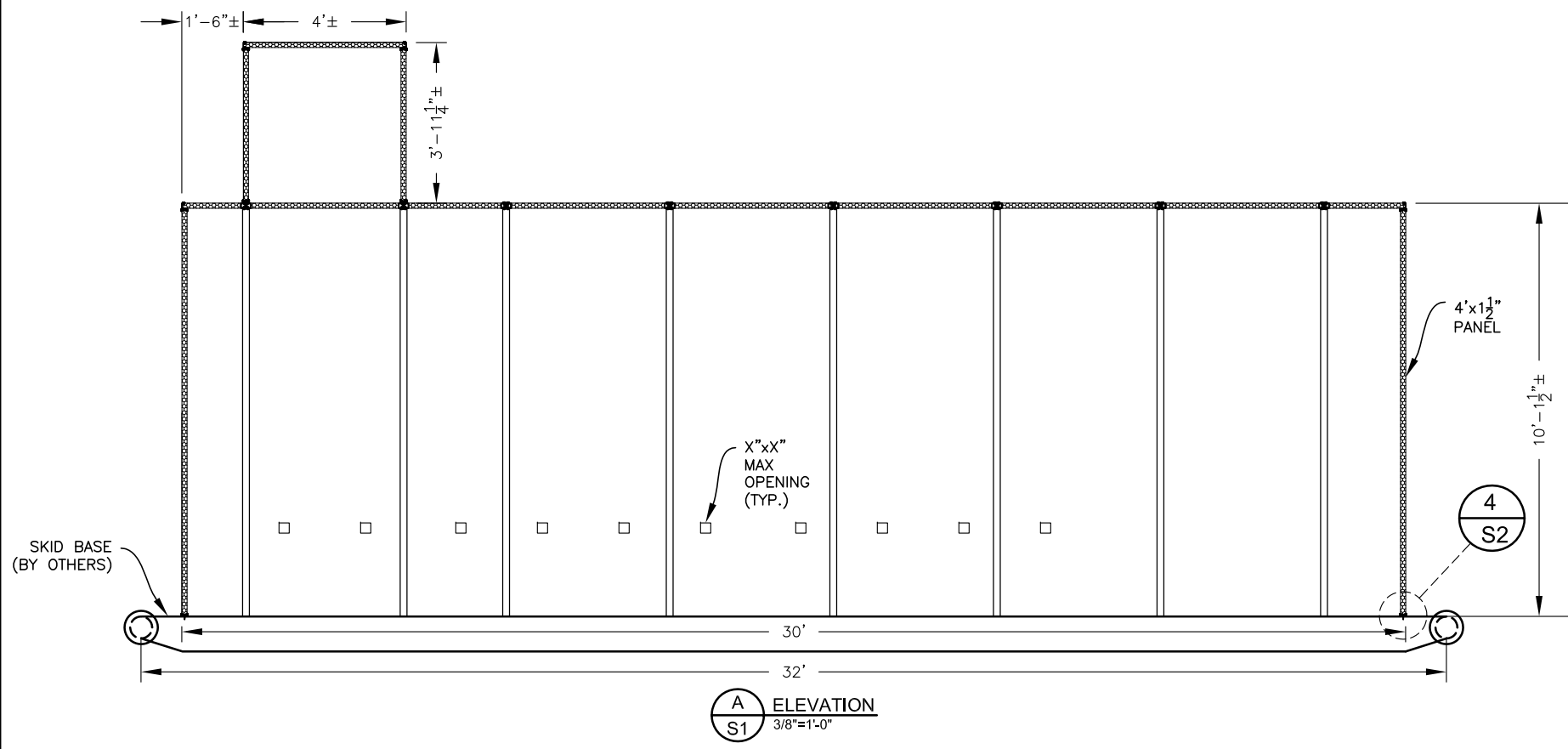
0	ISSUED FOR CONSTRUCTION	24-NOV-2014
NO.	REVISION / ISSUE	DATE



16B ROWLAND CRESCENT ST. ALBERT, ALBERTA PH: 780-458-1550 FAX: 780-459-9554

JOB NO.	14-240	<b>S1</b>
DRAWN BY	PH	
DATE	NOVEMBER 2014	
SCALE	AS NOTED	
		SH.NO. 1 OF 2

RJV GAS FIELD SERVICES  
 HUSKY OIL  
 LSD 06-07-67-08 W6M  
 VESSEL AND PIPING ENCLOSURE  
 PLAN VIEW, DETAILS AND NOTES



**PERMIT TO PRACTICE**  
**FULCRUM ENGINEERING LIMITED**

Signature \_\_\_\_\_

Date \_\_\_\_\_

**PERMIT NUMBER: P 5627**

The Association of Professional Engineers,  
 Geologists and Geophysicists of Alberta

0	ISSUED FOR CONSTRUCTION	24-NOV-2014
NO.	REVISION / ISSUE	DATE
<b>FULCRUM</b> ENGINEERING LIMITED		
16B ROWLAND CRESCENT ST. ALBERT, ALBERTA		PH: 780-458-1550 FAX: 780-459-9554
JOB NO.	14-240	<b>S2</b>
DRAWN BY	PH	
DATE	NOVEMBER 2014	SH.NO.
SCALE	AS NOTED	2 OF 2
RJV GAS FIELD SERVICES HUSKY OIL LSD 06-07-67-08 W6M VESSEL AND PIPING ENCLOSURE SECTIONS AND DETAILS		
12/5/2014 9:24:56 AM	14-240 RJV HUSKY 5307.DWG	