



**4500182110**

Data Collected By: Carmon Lindquist Entry Date: Feb 6/06

Equipment Class Package

Equipment Description: Oil Flooded Screw Compressor Package Tag No.: Job 1220  
 Facility: Unit / Yard: Exist. Equip. ID.:  
 Location: LE /LSD # A2 Sec. 15 Twp. 52 Rge. 7 W 4 /ES       
 Cost Center:      Acquis Value:      Acquis Date:       
 Equipment Status:  In-Service Fully Utilized  In Service Under-utilized  Idle  Scrap  
 Ownership Status:  Leased  Rented  Owned  
 Manufacturer: Waterflood Service & Sales Ltd. Year Built: 2006  
 Equipment Condition: NEW Model No.: SSH Serial No.: S246702  
 Construction:  Skidded  Packaged  Housed  Packaged Portable  Packaged Stationary  
 Skid Weight: 22000 lbs Kg / Lbs Skid Size: W 11' x L 24' x H 11' 6" m / ft

**Common Characteristics**

Design Flow: 0.1 - 0.706 MMSCFD Service:  Sweet  Sour

**Compressor / Pump Packages**

Compressor Type  Reciprocating  Centrifugal  Rotary  Blower / Fan  
 Pump Type  Reciprocating  Centrifugal  Rotary  Controlled Volume  
 Driver  Motor  Gas # of Stages 1  
 Inlet ANSI Rating 300 ANSI Final Discharge ANSI Rating 300 ANSI

**Separator / Dehydrator / Treater / Line Heater / Tank Package**

Orientation  Vertical  Horizontal Vessel Diameter      mm/in  
 ANSI Rating      ANSI MAWP      kPa/psi Internally Coated  Yes  No  
 Reboiler / Burner Duty      BTU/hr / KW

**Inlet/Metering & Group/Test packages**

ANSI Rating      ANSI # of Inlets     

**Comments**

**Material Transfer Information**

Transfer Recorded by:      Date       
 From LSD      Sec      Twp      Rge      W/       
 Transfer Yard       
 To LSD      Sec      Twp      Rge      W/       
 Facility      Receiving AFE:

Data Collected By: Carmon Lindquist Entry Date: Feb 6/06

**4500182110**

Parent Asset No.: \_\_\_\_\_

Equipment Class  Reciprocating  Centrifugal  Turbo Expander  
 Rotary  Blower / Fan

Equipment Description: Oil Flooded Screw Compressor Pack Exist. Equip. ID : \_\_\_\_\_ Tag No.: Job 1220

Unit Yard \_\_\_\_\_ Acquis Value \$ \_\_\_\_\_ Acquis Date \_\_\_\_\_

Equipment Status:  In-Service Fully Utilized  In Service Under-utilized  Idle  Scrap

Ownership Status:  Leased  Rented  Owned

Manufacturer: Gardner Denver Oil Flooded Screw

Year Built: 2006

Equipment Condition: NEW Model No.: SSH

Serial No.: S246702

Construction:  Skidded  Packaged  Housed  Packaged Portable  Packaged Stationary

Skid Weight: 22000 lbs Kg / Lbs Skid Size: W 11' x L 24' x H 11' 6" m / ft

**Common Characteristics**

Fluid Description: Natural Gas Service:\*  Sweet  Sour Driven by: Cat G3304NA

Rotation (Viewed from Drive End):  CW  CCW # of Stages: 1

Design Capacity: .1 - .7 m3/d mmcf/d Design Suction: 1 - 50 kPag / psig Design Discharge: 340 kPag / psig

Frame HP Rating: 90 HP Max Frame Speed: 3777 RPM Coupler Type: Ringfeder

Lubrication Type:  Pressurized  Non Pressurized  
Lubricator Make: \_\_\_\_\_  
Lubricator Model: \_\_\_\_\_

**Additional Characteristics for Reciprocating Compressor**

# of Throws: \_\_\_\_\_ Rod Size: \_\_\_\_\_ mm / in Stroke: \_\_\_\_\_ mm/in

Cyl #1 Size: \_\_\_\_\_ mm / in Cyl #1 S/N \_\_\_\_\_ Cyl #1 MAWP \_\_\_\_\_ kPag / psig

Cyl #2 Size: \_\_\_\_\_ Cyl #2 S/N \_\_\_\_\_ Cyl #2 MAWP \_\_\_\_\_

Cyl #3 Size: \_\_\_\_\_ Cyl #3 S/N \_\_\_\_\_ Cyl #3 MAWP \_\_\_\_\_

Cyl #4 Size: \_\_\_\_\_ Cyl #4 S/N \_\_\_\_\_ Cyl #4 MAWP \_\_\_\_\_

Cyl #5 Size: \_\_\_\_\_ Cyl #5 S/N \_\_\_\_\_ Cyl #5 MAWP \_\_\_\_\_

Cyl #6 Size: \_\_\_\_\_ Cyl #6 S/N \_\_\_\_\_ Cyl #6 MAWP \_\_\_\_\_

Valve Manufacturer: \_\_\_\_\_ Cyl Valve Mat'l: \_\_\_\_\_ Cyl Valve Model: \_\_\_\_\_

VVCP:  Cyl #1  Cyl #2  Cyl #3  Cyl #4  Cyl #5  Cyl #6 Cyl Cooling:  Yes  No

**Additional Characteristics for Rotary Compressor**

Rotary Comp Type:  Screw  Lobe  Vane  Gear Slide Valve  Auto  Manual

Csg MAWP: 375 kPag / psig Csg Mat'l: Cast Iron

**Additional Characteristics for Centrifugal Compressor and Turbo Expander**

Casing Type:  Hort. Split  Vertical Split  Barrel Csg MAWP: \_\_\_\_\_ kPag / psig

Csg Mat'l \_\_\_\_\_ Shaft Seal Make: \_\_\_\_\_ Shaft Seal Model: \_\_\_\_\_

**Additional Characteristics for Blower and Fan**

Impeller / Blade Type: \_\_\_\_\_ Impeller / Blade Size: \_\_\_\_\_ mm / in Imp. Shaft Size: \_\_\_\_\_ mm / in

Sheave Type: \_\_\_\_\_ Sheave Size: \_\_\_\_\_ mm / in Seal Type: \_\_\_\_\_

**Comments**

**Material Transfer Information**

Transfer Recorded by: \_\_\_\_\_ Date \_\_\_\_\_

From LSD \_\_\_\_\_ Sec \_\_\_\_\_ Twp \_\_\_\_\_ Rge \_\_\_\_\_ W/ \_\_\_\_\_  
Transfer Yard \_\_\_\_\_

To LSD \_\_\_\_\_ Sec \_\_\_\_\_ Twp \_\_\_\_\_ Rge \_\_\_\_\_ W/ \_\_\_\_\_  
Facility \_\_\_\_\_ Receiving AFE: \_\_\_\_\_

Data Collected By: Carmon Lindquist Entry Date: Feb 6/06

4500182110

Equipment Class:  Reciprocating Engine  Electric Motor  
 Steam Turbine  Gas Turbine Parent Asset No.:

Equipment Description: Oil Flooded Screw Compressor Package Exist. Equip. ID: Tag No.: Job 1220

Unit Yard: Acquis Value \$ Acquis Date

Equipment Status:  In-Service Fully Utilized  In Service Under-utilized  Idle  Scrap

Ownership Status:  Leased  Rented  Owned

Manufacturer: Cat G3304NA Enigne Year Built: 2006

Equipment Condition: New Model No.: G3304NA Serial No.: N4F01815

Construction:  Skidded  Packaged  Housed  Packaged Portable  Packaged Stationary

Skid Weight: 22000 lbs Kg/Lbs Skid Size: W 10' x L 24' x H 11'6" m/ft

Common Characteristics

Power Rating: 95 kW/HP Rated Speed: 1800 RPM Service:  Sweet  Sour  
Rotation (Viewed from Drive End):  CW  CCW 1800 RPM Shaft Size: n/a mm/in  
Fuel Type: Natural Gas Lubrication Type:  Pressurized Coupler Type: Ringfeder  
Power Transmitter Type:  Direct Coupled  Non Pressurized

Additional Characteristics for Reciprocating Engine

Aspiration Type:  Natural  Turbocharged  Other:  
Compression Ratio: 10.5:1 No. of Cylinders: 4 Fuel type: natural gas  
Cyl. Bore: 4.75 in mm/in Cyl. Stroke: 6 in mm/in Governor Type: Mechanical  
Starter Type: Gas starter Max. Jacket Water Temperature: 210 °F °C/°F

Additional Characteristics for Electric Motor

Motor Type:  Induction  Synchronous  Other:  
Elec. Class: Elec. Division: Elec. Group:  
Voltage: V No. of Phases: Frequency: Hz  
Service Factor: Frame: Enclosure Type:  
Insulation Class: Full Load Efficiency: % Full Load Current: Amps

Additional Characteristics for Steam Turbine

Turbine Type:  Backpressure  Condensing  Induction  Extraction  Other  
Steam Flow (Design): kg/h / Lbs/h Inlet Pres. (Design): kPag/Psig Exhaust Pres. (Design): kPag/Psig  
MAWP Inlet: kPag / Psig MAWP Exhaust: kPag/Psig No. of Nozzles:  
Governor Type: Governor Make: Governor Model:

Additional Characteristics for Gas Turbine

Shaft Config.:  Single Shaft  Two Shaft Fuel Type:  
Design Speed: rpm Power Turbine: RPM Gas Generator: RPM  
# of Stages (Power Turbine): Design Exhaust Temp.: °C/°F Design Exhaust Pres.: kPag / Psig  
Starter Type: Inlet Air Filter Type:

Comments

Material Transfer Information

Transfer Recorded by: Date  
From LSD Sec Twp Rge W/  
Transfer Yard  
To LSD Sec Twp Rge W/  
Facility Receiving AFE:



# Fuelgas Vessel

Husky Purchase Order No.

**4500182110**Data Collected By: Carmon Lindquist Entry Date: Feb 6/06

Parent Asset No.: \_\_\_\_\_

Equipment Class

<input type="checkbox"/> Accumulator	<input type="checkbox"/> Blowcase	<input type="checkbox"/> Bullet	<input type="checkbox"/> Dampener	<input type="checkbox"/> Deerator	<input type="checkbox"/> Desalter
<input type="checkbox"/> Drum	<input type="checkbox"/> Dryer	<input type="checkbox"/> Filter	<input type="checkbox"/> Knockout	<input type="checkbox"/> Reactor	<input checked="" type="checkbox"/> Scrubber
<input type="checkbox"/> Separator	<input type="checkbox"/> Softener	<input type="checkbox"/> Sphere	<input type="checkbox"/> Treater	<input type="checkbox"/> Tower	
<input type="checkbox"/> Dehydrator					

Equipment Description: Oil Flooded Screw Compressor Package Exist. Equip. ID: \_\_\_\_\_ Tag No.: \_\_\_\_\_ Job 1220

Unit Yard \_\_\_\_\_ Acquis Value \$ \_\_\_\_\_ Acquis Date \_\_\_\_\_

Equipment Status:  In-Service Fully Utilized  In Service Under-utilized  Idle  ScrapOwnership Status:  Leased  Rented  OwnedManufacturer: Waterflood Service & Sales Ltd. Year Built: 2005Equipment Condition: NEW Model No.: FUELGAS-8 Serial No.: 05119003Construction:  Skidded  Packaged  Housed  Packaged Portable  Packaged StationarySkid Weight: 22000 lbs Kg / Lbs Skid Size: W 11' x L 24' x H 11' 6" m / ft

### Common Characteristics

Fluid Description: N.G.Service:  Sweet  Sour# of Phases: 2

Prov. Reg. No.(A#): \_\_\_\_\_

CRN: OH5535.231Code Stamp:  U  U2  UMShell MAWP: 260 PSI kPag / psig@ Max. Temp: 200°F °C / °FMDMT: -20°F °C / °FShell Mat'l: SA106BShell Thickness: .322" mm / inShell C.A.: 0.0625" mm / inHead Mat'l: SA234WPBHead Thickness: .322" mm / inHead C.A.: 0.0625" mm / inNozzle Type: FLANGEDNozzle Pressure Rating: 150# AnsiNozzle Mat'l: SA105NNozzle Thick.: \_\_\_\_\_ mm / in Nozzle C.A.: 0.0625" mm / inX-Ray:  RT  RT2  RT3  RT4Stress Relief:  HT  PHT# Manways: 0# of Inspection Ports: 2Volume: 1.3 FT<sup>3</sup> m<sup>3</sup> / ft<sup>3</sup>Design Flow: 0.25 MMSCFD Sm<sup>3</sup>/d / mmscfdDiameter: 8" mm / inLength/Height (S/S): 46" mm / ftOrientation:  H  VSupport Type:  Skirt  Legs Saddles  OtherInternal Coating:  Yes  No

Int. Coating / Cladding Type: \_\_\_\_\_

Insulated:  Yes  NoInsulation Thick.: \_\_\_\_\_ mm / in Painted / Primed:  Yes  No

### Internals:

Component Type: FilterManufacturer: PecoModel: RFG12

Component Mat'l: \_\_\_\_\_

Component Size: \_\_\_\_\_

Component C.A.: \_\_\_\_\_ mm / in

Removable:  Yes  No

### Additional Characteristics for Treater

Treater Type: \_\_\_\_\_

Desand System:  Yes  No

# of Firetubes: \_\_\_\_\_

Firetube S/N: \_\_\_\_\_ Firetube Rating: \_\_\_\_\_ kW / Btu/h

### Additional Characteristics for Reactor, Tower and Dryer

Regeneration Type:  Heat Regen.  Non-heat Regen.

Catalyst Bed Mat'l: \_\_\_\_\_ Desiccant Type: \_\_\_\_\_ Cycle Time: \_\_\_\_\_ min's

Comments Fuel Gas Scrubber Filter Unit

### Material Transfer Information

Transfer Recorded by: \_\_\_\_\_ Date \_\_\_\_\_

From LSD \_\_\_\_\_ Sec \_\_\_\_\_ Twp \_\_\_\_\_ Rge \_\_\_\_\_ W/ \_\_\_\_\_  
Transfer Yard \_\_\_\_\_To LSD \_\_\_\_\_ Sec \_\_\_\_\_ Twp \_\_\_\_\_ Rge \_\_\_\_\_ W/ \_\_\_\_\_  
Facility \_\_\_\_\_

Receiving AFE: \_\_\_\_\_

4500182110

Data Collected By: Carmon Lindquist Entry Date: Feb 6/06

Parent Asset No.:

- Equipment Class: Accumulator, Blowcase, Bullet, Dampener, Deerator, Desalter, Drum, Dryer, Filter, Knockout, Reactor, Scrubber, Separator, Softener, Sphere, Treater, Tower, Dehydrator

Equipment Description: Oil Flooded Screw Compressor Package Exist. Equip. ID: Tag No.: Job 1220

Unit Yard Acquis Value \$ Acquis Date

Equipment Status: In-Service Fully Utilized, In Service Under-utilized, Idle, Scrap

Ownership Status: Leased, Rented, Owned

Manufacturer: Waterflood Service & Sales Ltd. Year Built: 2005

Equipment Condition: NEW Model No.: 600TOS Serial No.: 05119002

Construction: Skidded, Packaged, Housed, Packaged Portable, Packaged Stationary

Skid Weight: 22000 lbs Skid Size: W 11' x L 24' x H 11' 6"

Common Characteristics

Fluid Description: N.G. & Oil Service: Sweet Sour # of Phases: 2
Prov. Reg. No. (A#): CRN: R2078.231 Code Stamp: U U2 UM
Shell MAWP: 375 PSI kPag / psig @ Max. Temp: 233°F °C / °F MDMT: 20°F °C / °F
Shell Mat'l: SA106B Shell Thickness: 0.375 mm / in Shell C.A.: 0.0625 mm / in
Head Mat'l: SA516G70N Head Thickness: 0.375 mm / in Head C.A.: 0.0625 mm / in
Nozzle Type: Flanged Nozzle Pressure Rating: 300# Ansi
Nozzle Mat'l: SA105N Nozzle Thick.: mm / in Nozzle C.A.: 0.0625 mm / in
X-Ray: RT RT2 RT4 Stress Relief: HT PHT
# Manways: 0 # of Inspection Ports: 2
Volume: 8.1 FT³ m³ / ft³ Design Flow: 2.0 MMSCFD Sm³/d / mmscfd
Diameter: 18" mm / in Length/Height (S/S): 54" mm / ft Orientation: H V
Support Type: Skirt Legs Saddles Other
Internal Coating: Yes No Int. Coating / Cladding Type:
Insulated: Yes No Insulation Thick.: mm / in Painted / Primed: Yes No
Internals:
Component Type: Filter Manufacturer: Gardner Denver Model: EAQ80105
Component Mat'l: Component Size: Component C.A.: mm / in
Removable: Yes No

Additional Characteristics for Treater

Treater Type: Desand System: Yes No
# of Firetubes: Firetube S/N: Firetube Rating: kW / Btu/h

Additional Characteristics for Reactor, Tower and Dryer

Regeneration Type: Heat Regen. Non-heat Regen.
Catalyst Bed Mat'l: Desiccant Type: Cycle Time: min/s

Comments Oil Coalescing Vessel

Material Transfer Information

Transfer Recorded by: Date
From LSD Sec Twp Rge W/
Transfer Yard
To LSD Sec Twp Rge W/
Facility Receiving AFE:

Data Collected By: Carmon Lindquist Entry Date: Feb 6/06

Parent Asset No.:

- Equipment Class: Accumulator, Blowcase, Bullet, Dampener, Deerator, Desalter, Drum, Dryer, Filter, Knockout, Reactor, Scrubber, Separator, Softener, Sphere, Treater, Tower, Dehydrator

Equipment Description: Oil Flooded Screw Compressor Package Exist. Equip. ID: Tag No.: Job 1220

Unit Yard Acquis Value \$ Acquis Date

Equipment Status: In-Service Fully Utilized, In Service Under-utilized, Idle, Scrap

Ownership Status: Leased, Rented, Owned

Manufacturer: Waterflood Service & Sales Ltd. Year Built: 2005

Equipment Condition: NEW Model No.: 600TIS Serial No.: 05119001

Construction: Skidded, Packaged, Housed, Packaged Portable, Packaged Stationary

Skid Weight: 22000 lbs Skid Size: W 11' x L 24' x H 11' 6"

Common Characteristics

Fluid Description: N.G. Service: Sweet, Sour # of Phases: 2

Prov. Reg. No.(A#): CRN: A4060.321 Code Stamp: U, U2, UM

Shell MAWP: 260 PSI @ Max. Temp: 200 F MDMT: -20 F

Shell Mat'l: SA106B Shell Thickness: 0.375" Head Mat'l: SA516G70N Head Thickness: 0.375"

Head C.A.: 0.0625" Nozzle Type: Flanged Nozzle Pressure Rating: 150#

Nozzle Mat'l: SA105N Nozzle Thick.: Nozzle C.A.: 0.0625"

X-Ray: RT, RT, RT, RT4 Stress Relief: HT, PHT

# Manways: 0 # of Inspection Ports: 2

Volume: 8.8 FT3 Design Flow: 2.0 MMSCFD

Diameter: 16" Length/Height (S/S): 46" Orientation: H, V

Support Type: Skirt, Legs Saddles, Other

Internal Coating: Yes, No Int. Coating / Cladding Type:

Insulated: Yes, No Insulation Thick.: Painted / Primed: Yes, No

Internals:

Component Type: Divmesh Manufacturer: Peco Model:

Component Mat'l: 316 SS Component Size: Component C.A.:

Removable: Yes, No

Additional Characteristics for Treater

Treater Type: Desand System: Yes, No

# of Firetubes: Firetube S/N: Firetube Rating: kW / Btu/h

Additional Characteristics for Reactor, Tower and Dryer

Regeneration Type: Heat Regen, Non-heat Regen.

Catalyst Bed Mat'l: Desiccant Type: Cycle Time: min's

Comments Inlet Scrubber Vessel

Material Transfer Information

Transfer Recorded by: Date

From LSD Sec Twp Rge W/ Transfer Yard

To LSD Sec Twp Rge W/ Facility

Receiving AFE:

Data Collected By: Carmon Lindquist Entry Date: Feb 6/06

Parent Asset No.:

- Equipment Class: Accumulator, Blowcase, Bullet, Dampener, Deerator, Desalter, Drum, Dryer, Filter, Knockout, Reactor, Scrubber, Separator, Softener, Sphere, Treater, Tower, Cooler

Equipment Description: Oil Flooded Screw Compressor Package Exist. Equip. ID: Tag No.: Job 1220

Unit Yard: Acquis Value \$ Acquis Date

Equipment Status: In-Service Fully Utilized, In Service Under-utilized, Idle, Scrap

Ownership Status: Leased, Rented, Owned

Manufacturer: Air Cooled Exchangers Year Built: 2006

Equipment Condition: New Model No.: J48A-6 Serial No.: 0612001-2

Construction: Skidded, Packaged, Housed, Packaged Portable, Packaged Stationary

Skid Weight: 22000 lbs Skid Size: W 11' x L 24' x H 11' 6" m / ft

Common Characteristics

Fluid Description: Gas (AC) Service: Sweet, Sour # of Phases: 1
Prov. Reg. No. (A#): CRN: T4601.23/k5796.1 Code Stamp: U, U2, UM
Shell MAWP: 375 kPag / psig @ Max. Temp: 233 OF MDMT: -50 OF
Shell Mat'l: SA-516G70N Shell Thickness: 0.75 mm / in Shell C.A.: 0.0625 mm / in
Head Mat'l: SA516G70N Head Thickness: 0.5 mm / in Head C.A.: 0.0625 mm / in
Nozzle Type: Flanged Nozzle Pressure Rating: 300#
Nozzle Mat'l: SA333-6 / SA350LF2 Nozzle Thick.: XH mm / in Nozzle C.A.: 0.0625 mm / in
X-Ray: RT1, RT2, RT3, RT4 Stress Relief: HT, PHT 100% R.T.on Butt Welds
# Manways: 0 # of Inspection Ports:
Volume: 0.6 ft3 Design Flow: 0.7 Sm3/d / mmscd
Diameter: Tubes 0.625in. mm / in Length/Height (S/S): 6' mm / ft Orientation: H, V
Support Type: Skirt, Legs
Internal Coating: Yes, No
Insulated: Yes, No Insulation Thick.: Painted / Primed: Yes, No
Internals:
Component Type: Manufacturer: Model:
Component Mat'l: Component Size: Component C.A.: mm / in
Removable: Yes, No

Additional Characteristics for Treater

Treater Type: Desand System: Yes, No
# of Firetubes: Firetube S/N: Firetube Rating: kW / Btu/h

Additional Characteristics for Reactor, Tower and Dryer

Regeneration Type: Heat Regen., Non-heat Regen.
Catalyst Bed Mat'l: Desiccant Type: Cycle Time: min's

Comments 3 Section Cooler - Coalescing Oil, Gas, Engine Jacket Water
Engine Sections are Non Code Sections

Material Transfer Information

Transfer Recorded by: Date
From LSD Sec Twp Rge W/
Transfer Yard
To LSD Sec Twp Rge W/
Facility Receiving AFE:



Data Collected By: Carmon Lindquist Entry Date: Feb 6/06

Parent Asset No.:

- Equipment Class: Accumulator, Blowcase, Bullet, Dampener, Deerator, Desalter, Drum, Dryer, Filter, Knockout, Reactor, Scrubber, Separator, Softener, Sphere, Treater, Tower, Cooler

Equipment Description: Oil Flooded Screw Compressor Package Exist. Equip. ID: Tag No.: Job 1220

Unit Yard: Acquis Value \$ Acquis Date

Equipment Status: In-Service Fully Utilized, In Service Under-utilized, Idle, Scrap

Ownership Status: Leased, Rented, Owned

Manufacturer: Air Cooled Exchangers Year Built: 2006

Equipment Condition: New Model No.: J48A-6 Serial No.: 0612001-3

Construction: Skidded, Packaged, Housed, Packaged Portable, Packaged Stationary

Skid Weight: 22000 lbs Skid Size: W 11' x L 24' x H 11' 6" m / ft

Common Characteristics

Fluid Description: Coalescing Oil CLO Service: Sweet Sour # of Phases: 1
Prov. Reg. No. (A#): CRN: T4600.231 Code Stamp: U U2 UM
Shell MAWP: 375 kPag / psig @ Max. Temp: 233 OF MDMT: -50 OF
Shell Mat'l: SA-516G70N Shell Thickness: 0.75 mm / in Shell C.A.: 0.0625 mm / in
Head Mat'l: SA516G70N Head Thickness: 0.5 mm / in Head C.A.: 0.0625 mm / in
Nozzle Type: Flanged Nozzle Pressure Rating: 300# ANSI
Nozzle Mat'l: SA333-6 / SA350LF2 Nozzle Thick.: XH mm / in Nozzle C.A.: 0.0625 mm / in
X-Ray: RT1 RT2 RT3 RT4 Stress Relief: HT PHT 100% R.T.on Butt Welds
# Manways: 0 # of Inspection Ports:
Volume: 0.7 ft3 m3 / ft3 Design Flow: 40 Sm3/d / mmscdf
Diameter: Tubes 0.625in. mm / in Length/Height (S/S): 6' mm / ft Orientation: H V
Support Type: Skirt Legs Saddles Other
Internal Coating: Yes No Int. Coating / Cladding Type:
Insulated: Yes No Insulation Thick.: mm / in Painted / Primed: Yes No
Internals:
Component Type: Manufacturer: Model:
Component Mat'l: Component Size: Component C.A.: mm / in
Removable: Yes No

Additional Characteristics for Treater

Treater Type: Desand System: Yes No
# of Firetubes: Firetube S/N: Firetube Rating: kW / Btu/h

Additional Characteristics for Reactor, Tower and Dryer

Regeneration Type: Heat Regen. Non-heat Regen.
Catalyst Bed Mat'l: Desiccant Type: Cycle Time: min's

Comments 3 Section Cooler - Coalescing Oil, Gas, Engine Jacket Water
Engine Sections are Non Code Sections

Material Transfer Information

Transfer Recorded by: Date
From LSD Sec Twp Rge W/
Transfer Yard
To LSD Sec Twp Rge W/
Facility Receiving AFE:

Data Collected By: Carmon Lindquist Entry Date: Feb 6/06

Parent Asset No.:

- Equipment Class: Accumulator, Blowcase, Bullet, Dampener, Deerator, Desalter, Drum, Dryer, Filter, Knockout, Reactor, Scrubber, Separator, Softener, Sphere, Treater, Tower, Cooler

Equipment Description: Oil Flooded Screw Compressor Package Exist. Equip. ID: Tag No.: Job 1220

Unit Yard Acquis Value \$ Acquis Date

Equipment Status: In-Service Fully Utilized, In Service Under-utilized, Idle, Scrap

Ownership Status: Leased, Rented, Owned

Manufacturer: Air Cooled Exchangers Year Built: 2006

Equipment Condition: New Model No.: J48A-6 Serial No.: 0532902-1

Construction: Skidded, Packaged, Housed, Packaged Portable, Packaged Stationary

Skid Weight: 22000 lbs Skid Size: W 11' x L 24' x H 11' 6" m / ft

Common Characteristics

Fluid Description: Engine Jacket Water Service: Sweet, Sour # of Phases: 1
Prov. Reg. No.(A#): CRN: N/A Code Stamp: U, U2, UM
Shell MAWP: 14 psi kPag / psig @ Max. Temp: MDMT:
Shell Mat'l: Shell Thickness: mm / in Shell C.A.: mm / in
Head Mat'l: Steel Head Thickness: mm / in Head C.A.: mm / in
Nozzle Type: 2" Flanged Nozzle Pressure Rating: 150# Ansi
Nozzle Mat'l: SA105N / SA106B Nozzle Thick.: mm / in Nozzle C.A.: mm / in
X-Ray: RT, RT, RT, RT4 Stress Relief: HT, PHT
# Manways: 0 # of Inspection Ports:
Volume: m3 / ft3 Design Flow: 45 GPM Sm3/d / mmscfd
Diameter: Tubes 0.625in. mm / in Length/Height (S/S): 6' mm / ft Orientation: H, V
Support Type: Skirt, Legs
Internal Coating: Yes, No Int. Coating / Cladding Type:
Insulated: Yes, No Insulation Thick.: mm / in Painted / Primed: Yes, No
Internals:
Component Type: Manufacturer: Model:
Component Mat'l: Component Size: Component C.A.: mm / in
Removable: Yes, No

Additional Characteristics for Treater

Treater Type: Desand System: Yes, No
# of Firetubes: Firetube S/N: Firetube Rating: kW / Btu/h

Additional Characteristics for Reactor, Tower and Dryer

Regeneration Type: Heat Regen, Non-heat Regen.
Catalyst Bed Mat'l: Desiccant Type: Cycle Time: min/s

Comments 3 Section Cooler - Coalescing Oil, Gas, Engine Jacket Water
Engine Sections are Non Code Sections

Material Transfer Information

Transfer Recorded by: Date
From LSD Sec Twp Rge W/
Transfer Yard
To LSD Sec Twp Rge W/
Facility Receiving AFE:

**Husky Energy** Valve, Piping & Fitting

Husky Purchase Order No.

**4500182110**

Data Collected By: Carmon Lindquist Entry Date: Feb 6/06

Parent Asset No.: \_\_\_\_\_

Equipment Class

<input type="checkbox"/> Specialty Valve	<input type="checkbox"/> Specialty Piping	<input type="checkbox"/> Choke	<input type="checkbox"/> Meterrun
<input type="checkbox"/> Specialty Fitting	<input type="checkbox"/> Rupture Disc	<input type="checkbox"/> Safety Valve	
<input checked="" type="checkbox"/> Piping Systems	<input type="checkbox"/> Control Valve	<input type="checkbox"/> ESD Valve	

Equipment Description: Oil Flooded Screw Compressor Package Exist. Equip. ID.: \_\_\_\_\_ Tag No.: Job 1220

Unit Yard \_\_\_\_\_ Acquis Value \$ \_\_\_\_\_ Acquis Date \_\_\_\_\_

Equipment Status:  In-Service Fully Utilized  In Service Under-utilized  Idle  Scrap

Ownership Status:  Leased  Rented  Owned

Manufacturer: Waterflood Service & Sales Ltd.

Year Built: 2006

Equipment Condition: NEW Model No.: \_\_\_\_\_ SSH Serial No.: S246702

Construction: \*  Skidded  Packaged  Housed  Packaged Portable  Packaged Stationary

Skid Weight: 22000 lbs Kg / Lbs Skid Size: W 11' x L 24' x H 11'6" m / ft

**Common Characteristics**

Fluid Description: N.G. / Oil Service:  Sweet  Sour Pressure Rating:\* 150# /300# ANSI

CRN: N/R Code Stamp:  UV  SV  HV PP #: N/R

Piping Body Mat'l: SA106B/SA105N Schedule Thk.: \_\_\_\_\_ mm / in C.A.: 0.0625" mm / in

Nominal Size \_\_\_\_\_ mm / in Internal Coating:  Yes  No Painted / Primed:  Yes  No

**Additional Characteristics for ESD Valve, Choke and Specialty Valve**

Design Valve Type:  Gate  Globe  Check  Ball  Needle  Plug  Butterfly

MAWP: 150#/300#/600# kPag / psig @ Max. Temp: 250°F °C / °F MDMT: -20°F °C / °F

Trim: NACE Internal Mat'l: \_\_\_\_\_ Actuator Type: Pneumatic

Fire Safe: \_\_\_\_\_ WT Thickness: \_\_\_\_\_ mm / in Bonnet Design: \_\_\_\_\_

**Additional Characteristics for Safety Valve**

Capacity: \_\_\_\_\_ Sm<sup>3</sup>/d / mmscfd Service Date: \_\_\_\_\_

Set Pressure: \_\_\_\_\_ kPag / psig Pop Pressure: \_\_\_\_\_ kPag / psig Back Pressure: \_\_\_\_\_ kPag / psig

Inlet Size: \_\_\_\_\_ mm / in Inlet Connection: \_\_\_\_\_

Outlet Size: \_\_\_\_\_ mm / in Outlet Connection: \_\_\_\_\_

Bonnet Design \_\_\_\_\_ Trim Mat'l: \_\_\_\_\_

Equip. Protected: \_\_\_\_\_ S/N: \_\_\_\_\_ Prov.# \_\_\_\_\_

Equip. Protected: \_\_\_\_\_ S/N: \_\_\_\_\_ Prov.# \_\_\_\_\_

Equip. Protected: \_\_\_\_\_ S/N: \_\_\_\_\_ Prov.# \_\_\_\_\_

Equip. Protected: \_\_\_\_\_ S/N: \_\_\_\_\_ Prov.# \_\_\_\_\_

Equip. Protected: \_\_\_\_\_ S/N: \_\_\_\_\_ Prov.# \_\_\_\_\_

Equip. Protected: \_\_\_\_\_ S/N: \_\_\_\_\_ Prov.# \_\_\_\_\_

**Additional Characteristics for Rupture Disc**

Rupture Pressure: \_\_\_\_\_ kPag / psig Capacity: \_\_\_\_\_ Sm<sup>3</sup>/d / mmscfd Disc Mat'l: \_\_\_\_\_

Equip. Protected: \_\_\_\_\_ S/N: \_\_\_\_\_ Prov.# \_\_\_\_\_

Equip. Protected: \_\_\_\_\_ S/N: \_\_\_\_\_ Prov.# \_\_\_\_\_

**Additional Characteristics for Piping and Manifold**

Design Pressure: \_\_\_\_\_ kPag / psig

# of Inlets: \_\_\_\_\_ Inlet Diameter: \_\_\_\_\_ mm / in Inlet Connection: \_\_\_\_\_

# of Outlets: \_\_\_\_\_ Outlet Diameter: \_\_\_\_\_ mm / in Outlet Connection: \_\_\_\_\_

**Additional Characteristics for Meterrun**

Type:  Junior  Senior Recorder Manf.: \_\_\_\_\_ Equipped with SCADA  Yes  No

Chart Recorder  Yes  No Straightening Vanes  Yes  No

**Comments**

**Material Transfer Information**

Transfer Recorded by: \_\_\_\_\_ Date \_\_\_\_\_

From LSD \_\_\_\_\_ Sec \_\_\_\_\_ Twp \_\_\_\_\_ Rge \_\_\_\_\_ W/ \_\_\_\_\_  
Transfer Yard \_\_\_\_\_

To LSD \_\_\_\_\_ Sec \_\_\_\_\_ Twp \_\_\_\_\_ Rge \_\_\_\_\_ W/ \_\_\_\_\_  
Facility \_\_\_\_\_

Receiving AFE: \_\_\_\_\_

**Husky Energy** Inlet Safety Valve

Husky Purchase Order No.

**4500182110**

Data Collected By: Carmon Lindquist Entry Date: Feb 6/06

Parent Asset No.: \_\_\_\_\_

Equipment Class

<input type="checkbox"/> Specialty Valve	<input type="checkbox"/> Specialty Piping	<input type="checkbox"/> Choke	<input type="checkbox"/> Meterrun
<input type="checkbox"/> Specialty Fitting	<input type="checkbox"/> Rupture Disc	<input checked="" type="checkbox"/> Safety Valve	
<input type="checkbox"/> Piping Systems	<input type="checkbox"/> Control Valve	<input type="checkbox"/> ESD Valve	

Equipment Description: Oil Flooded Screw Compressor Package Exist. Equip. ID.: \_\_\_\_\_ Tag No.: Job 1220

Unit Yard \_\_\_\_\_ Acquis Value \$ \_\_\_\_\_ Acquis Date \_\_\_\_\_

Equipment Status:  In-Service Fully Utilized  In Service Under-utilized  Idle  Scrap

Ownership Status:  Leased  Rented  Owned

Manufacturer: Farris Year Built: 2006

Equipment Condition: NEW Model No.: 27FA45-M20 Serial No.: 509599-6-KE

Construction: \*  Skidded  Packaged  Housed  Packaged Portable  Packaged Stationary

Skid Weight: 22000 lbs Kg / Lbs Skid Size: W 11' x L 24' x H 11' 6" m / ft

**Common Characteristics**

Fluid Description: \_\_\_\_\_ Service:  Sweet  Sour Pressure Rating: \* \_\_\_\_\_ ANSI

CRN: \_\_\_\_\_ Code Stamp:  UV  SV  HV PP #: \_\_\_\_\_

Piping Body Mat'l \_\_\_\_\_ Schedule Thk.: \_\_\_\_\_ mm / in C.A.: \_\_\_\_\_ mm / in

Nominal Size \_\_\_\_\_ mm / in Internal Coating:  Yes  No Painted / Primed:  Yes  No

**Additional Characteristics for ESD Valve, Choke and Specialty Valve**

Design Valve Type:  Gate  Globe  Check  Ball  Needle  Plug  Butterfly

MAWP: \_\_\_\_\_ kPag / psig @ Max. Temp: \_\_\_\_\_ °C / °F MDMT: \_\_\_\_\_ °C / °F

Trim: \_\_\_\_\_ Internal Mat'l: \_\_\_\_\_ Actuator Type: \_\_\_\_\_

Fire Safe: \_\_\_\_\_ WT Thickness: \_\_\_\_\_ mm / in Bonnet Design: \_\_\_\_\_

**Additional Characteristics for Safety Valve**

Capacity: 464 SCFM Sm<sup>3</sup>/d / mmscfd Service Date: \_\_\_\_\_

Set Pressure: 50 psi kPag / psig Pop Pressure: \_\_\_\_\_ kPag / psig Back Pressure: \_\_\_\_\_ kPag / psig

Inlet Size: 1 1/2" mm / in Inlet Connection: MNPT

Outlet Size: 2" mm / in Outlet Connection: FNPT

Bonnet Design \_\_\_\_\_ Trim Mat'l: Stainless

Equip. Protected: Inlet Vessel S/N: 05119001 Prov.# \_\_\_\_\_

Equip. Protected: Compressor S/N: S246702 Prov.# \_\_\_\_\_

Equip. Protected: \_\_\_\_\_ S/N: \_\_\_\_\_ Prov.# \_\_\_\_\_

Equip. Protected: \_\_\_\_\_ S/N: \_\_\_\_\_ Prov.# \_\_\_\_\_

Equip. Protected: \_\_\_\_\_ S/N: \_\_\_\_\_ Prov.# \_\_\_\_\_

Equip. Protected: \_\_\_\_\_ S/N: \_\_\_\_\_ Prov.# \_\_\_\_\_

**Additional Characteristics for Rupture Disc**

Rupture Pressure: \_\_\_\_\_ kPag / psig Capacity: \_\_\_\_\_ Sm<sup>3</sup>/d / mmscfd Disc Mat'l: \_\_\_\_\_

Equip. Protected: \_\_\_\_\_ S/N: \_\_\_\_\_ Prov.# \_\_\_\_\_

Equip. Protected: \_\_\_\_\_ S/N: \_\_\_\_\_ Prov.# \_\_\_\_\_

**Additional Characteristics for Piping and Manifold**

Design Pressure: \_\_\_\_\_ kPag / psig

# of Inlets: \_\_\_\_\_ Inlet Diameter: \_\_\_\_\_ mm / in Inlet Connection: \_\_\_\_\_

# of Outlets: \_\_\_\_\_ Outlet Diameter: \_\_\_\_\_ mm / in Outlet Connection: \_\_\_\_\_

**Additional Characteristics for Meterrun**

Type:  Junior  Senior Recorder Manf.: \_\_\_\_\_ Equipped with SCADA  Yes  No

Chart Recorder  Yes  No Straightening Vanes  Yes  No

**Comments**

**Material Transfer Information**

Transfer Recorded by: \_\_\_\_\_ Date \_\_\_\_\_

From LSD \_\_\_\_\_ Sec \_\_\_\_\_ Twp \_\_\_\_\_ Rge \_\_\_\_\_ W/ \_\_\_\_\_  
Transfer Yard \_\_\_\_\_

To LSD \_\_\_\_\_ Sec \_\_\_\_\_ Twp \_\_\_\_\_ Rge \_\_\_\_\_ W/ \_\_\_\_\_  
Facility \_\_\_\_\_

Receiving AFE: \_\_\_\_\_

4500182110

Data Collected By: Carmon Lindquist Entry Date: Feb 6/06

Parent Asset No.:

Equipment Class: Specialty Valve, Specialty Fitting, Piping Systems, Specialty Piping, Rupture Disc, Control Valve, Choke, Safety Valve, ESD Valve, Meterrun

Equipment Description: Oil Flooded Screw Compressor Package Exist. Equip. ID.: Tag No.: Job 1220

Unit Yard: Acquis Value \$ Acquis Date

Equipment Status: In-Service Fully Utilized, In Service Under-utilized, Idle, Scrap

Ownership Status: Leased, Rented, Owned

Manufacturer: Farris Year Built: 2006

Equipment Condition: NEW Model No.: 27DA33-M20 Serial No.: 509171-13-KE

Construction: Skidded, Packaged, Housed, Packaged Portable, Packaged Stationary

Skid Weight: 22000 lbs Skid Size: W 11' x L 24' x H 11' 6" m/ft

Common Characteristics

Fluid Description: Service: Sweet, Sour, Pressure Rating: ANSI, CRN: Code Stamp: UV, SV, HV, PP #: Piping Body Mat'l: Schedule Thk.: mm/in, C.A.: mm/in, Nominal Size: mm/in, Internal Coating: Yes, No, Painted / Primed: Yes, No

Additional Characteristics for ESD Valve, Choke and Specialty Valve

Design Valve Type: Gate, Globe, Check, Ball, Needle, Plug, Butterfly, MAWP: kPag / psig, @ Max. Temp: C / F, MDMT: C / F, Trim: Internal Mat'l: Actuator Type: Fire Safe: WT Thickness: mm/in, Bonnet Design:

Additional Characteristics for Safety Valve

Capacity: 885 SCFM Sm³/d / mmscfd Service Date: Set Pressure: 325 psi kPag / psig Pop Pressure: kPag / psig Back Pressure: kPag / psig, Inlet Size: 1" mm / in Inlet Connection: MNPT, Outlet Size: 1" mm / in Outlet Connection: FNPT, Bonnet Design: Trim Mat'l: Stainless

Equip. Protected: Coalescing Oil Vessel, Cooler, Compressor, S/N: 05119002, 0612001-3, S246702, Prov.#

Additional Characteristics for Rupture Disc

Rupture Pressure: kPag / psig Capacity: Sm³/d / mmscfd Disc Mat'l: Equip. Protected: S/N: Prov.#

Additional Characteristics for Piping and Manifold

Design Pressure: kPag / psig # of Inlets: Inlet Diameter: mm / in Inlet Connection: # of Outlets: Outlet Diameter: mm / in Outlet Connection:

Additional Characteristics for Meterrun

Type: Junior, Senior Recorder Manf.: Equipped with SCADA Yes, No Chart Recorder Yes, No Straightening Vanes Yes, No

Comments

Material Transfer Information

Transfer Recorded by: Date: From LSD Sec Twp Rge W/ Transfer Yard To LSD Sec Twp Rge W/ Facility Receiving AFE:

# Husky Energy

# Fuelgas Safety Valve

Husky Purchase Order No.

**4500182110**Data Collected By: Carmon Lindquist Entry Date: Feb 6/06

Parent Asset No.: \_\_\_\_\_

Equipment Class

<input type="checkbox"/> Specialty Valve	<input type="checkbox"/> Specialty Piping	<input type="checkbox"/> Choke	<input type="checkbox"/> Meterrun
<input type="checkbox"/> Specialty Fitting	<input type="checkbox"/> Rupture Disc	<input checked="" type="checkbox"/> Safety Valve	
<input type="checkbox"/> Piping Systems	<input type="checkbox"/> Control Valve	<input type="checkbox"/> ESD Valve	

Equipment Description: Oil Flooded Screw Compressor Package Exist. Equip. ID.: \_\_\_\_\_ Tag No.: Job 1220

Unit Yard \_\_\_\_\_ Acquis Value \$ \_\_\_\_\_ Acquis Date \_\_\_\_\_

Equipment Status:  In-Service Fully Utilized  In Service Under-utilized  Idle  ScrapOwnership Status:  Leased  Rented  OwnedManufacturer: TAYLOR Year Built: 2006Equipment Condition: NEW Model No.: 27DA33-M20 Serial No.: 496662-23-KEConstruction: \*  Skidded  Packaged  Housed  Packaged Portable  Packaged StationarySkid Weight: 22000 lbs Kg / Lbs Skid Size: W 11' x L 24' x H 11' 6" m / ft

### Common Characteristics

Fluid Description: \_\_\_\_\_ Service:  Sweet  Sour Pressure Rating: \* \_\_\_\_\_ ANSICRN: \_\_\_\_\_ Code Stamp:  UV  SV  HV PP #: \_\_\_\_\_

Piping Body Mat'l \_\_\_\_\_ Schedule Thk.: \_\_\_\_\_ mm / in C.A.: \_\_\_\_\_ mm / in

Nominal Size \_\_\_\_\_ mm / in Internal Coating:  Yes  No Painted / Primed:  Yes  No

### Additional Characteristics for ESD Valve, Choke and Specialty Valve

Design Valve Type:  Gate  Globe  Check  Ball  Needle  Plug  Butterfly

MAWP: \_\_\_\_\_ kPag / psig @ Max. Temp: \_\_\_\_\_ °C / °F MDMT: \_\_\_\_\_ °C / °F

Trim: \_\_\_\_\_ Internal Mat'l: \_\_\_\_\_ Actuator Type: \_\_\_\_\_

Fire Safe: \_\_\_\_\_ WT Thickness: \_\_\_\_\_ mm / in Bonnet Design: \_\_\_\_\_

### Additional Characteristics for Safety Valve

Capacity: 231 SCFM Sm<sup>3</sup>/d / mmscfd Service Date: \_\_\_\_\_Set Pressure: 75 psi kPag / psig Pop Pressure: \_\_\_\_\_ kPag / psig Back Pressure: \_\_\_\_\_ kPag / psigInlet Size: 1" mm / in Inlet Connection: MNPTOutlet Size: 1" mm / in Outlet Connection: FNPT

Bonnet Design \_\_\_\_\_ Trim Mat'l: \_\_\_\_\_

Equip. Protected: Fuelgas Vessel S/N: 05119003 Prov.# \_\_\_\_\_

Equip. Protected: \_\_\_\_\_ S/N: \_\_\_\_\_ Prov.# \_\_\_\_\_

Equip. Protected: \_\_\_\_\_ S/N: \_\_\_\_\_ Prov.# \_\_\_\_\_

Equip. Protected: \_\_\_\_\_ S/N: \_\_\_\_\_ Prov.# \_\_\_\_\_

Equip. Protected: \_\_\_\_\_ S/N: \_\_\_\_\_ Prov.# \_\_\_\_\_

Equip. Protected: \_\_\_\_\_ S/N: \_\_\_\_\_ Prov.# \_\_\_\_\_

### Additional Characteristics for Rupture Disc

Rupture Pressure: \_\_\_\_\_ kPag / psig Capacity: \_\_\_\_\_ Sm<sup>3</sup>/d / mmscfd Disc Mat'l: \_\_\_\_\_

Equip. Protected: \_\_\_\_\_ S/N: \_\_\_\_\_ Prov.# \_\_\_\_\_

Equip. Protected: \_\_\_\_\_ S/N: \_\_\_\_\_ Prov.# \_\_\_\_\_

### Additional Characteristics for Piping and Manifold

Design Pressure: \_\_\_\_\_ kPag / psig

# of Inlets: \_\_\_\_\_ Inlet Diameter: \_\_\_\_\_ mm / in Inlet Connection: \_\_\_\_\_

# of Outlets: \_\_\_\_\_ Outlet Diameter: \_\_\_\_\_ mm / in Outlet Connection: \_\_\_\_\_

### Additional Characteristics for Meterrun

Type:  Junior  Senior Recorder Manf.: \_\_\_\_\_ Equipped with SCADA  Yes  NoChart Recorder  Yes  No Straightening Vanes  Yes  No

### Comments

### Material Transfer Information

Transfer Recorded by: \_\_\_\_\_ Date \_\_\_\_\_

From LSD \_\_\_\_\_ Sec \_\_\_\_\_ Twp \_\_\_\_\_ Rge \_\_\_\_\_ W/ \_\_\_\_\_  
Transfer Yard \_\_\_\_\_To LSD \_\_\_\_\_ Sec \_\_\_\_\_ Twp \_\_\_\_\_ Rge \_\_\_\_\_ W/ \_\_\_\_\_  
Facility \_\_\_\_\_

Receiving AFE: \_\_\_\_\_

Data Collected By: Carmon Lindquist Entry Date: Feb 6/06

Equipment Class: Building Monorail Railway Road Fence Bridge Lift Equipment Parent Asset No.: Existing Equip. ID #

Equipment Description: Oil Flooded Screw Compressor Package Tag No.: Job 1220

Unit Yard Acquis Value \$ Acquis Date

Equipment Status: In-Service Fully Utilized In Service Under-utilized Idle Scrap

Ownership Status: Leased Rented Owned

Manufacturer: Big Foot Metals Year Built: 2005

Equipment Condition: New Model No.: Serial No.:

Construction: Skidded Packaged Housed Packaged Portable Packaged Stationary

Skid Weight: 22000 LBS Skid Size: W 10' x L 24' x H 11'6" m/ft

Additional Characteristics for Buildings

Construction Type: Gable Style Foundation Type: Steel Skid Shell: 1 1/2" foam injected building Color: Galvanized Building Heat Type: Catadyne Building Elec. Class: Class Zone 2 Wall Insulation R Value: R12 Roof Insulation R Value: R12 Humidifier: No Air Conditioner: No Elevator: No

Additional Characteristics for Monorails

Capacity: Tonnes

Additional Characteristics for Railways

Start of Track: End of Track: Length: Gauge: Rail Tie Material:

Additional Characteristics for Fence

Type: Length: Height:

Additional Characteristics for Bridges

Type: Portable Permanent Capacity: Foundation: Width: Length: Deck:

Additional Characteristics for Lift Equipment

Type: Power: Manual Electric Air Width: Length: Height: Wire/Chain Mat. Type: Hook Type: Lift Capacity:

Comments

Material Transfer Information

Transfer Recorded by: Date From LSD Sec Twp Rge W/ Transfer Yard To LSD Sec Twp Rge W/ Facility Receiving AFE:



Rev. : 0  
Date: February 6/06

**JOB INFO**

**CUSTOMER:** Husky  
**CONTACT:** Naomi Osman  
**L.S.D:** 2A-15-52-7 W4M Swimming  
**AFE / PO#:** 4500182110

**PH#:** 306-820-4002  
**FAX#:** 306-825-1159  
**E-MAIL:**  
**DATE REQUIRED:** Mar. 20/2007

**WSS JOB#:** 1220  
**WSS ENG:** Carmon Lindquist

**PACKAGE E9#:** E9-13025  
**MAIN SKID E9#:** E9-13269

**FROM QUOTE**

**SUCTION PRESSURE:** 1 - 50 PSI  
**DISCHARGE PRESSURE:** 175 PSI  
**SKID TYPE:** Turnkey  
**PAINT COLORS:** Dark Machinery Grey skid and piping

**FLOW:** 0.1 - 0.7 MMSCFD  
**GAS:** Sweet Natural Gas  
**BUILDING COLOR:** Galvanized/ White

**PACKAGE DESIGN**

**SUCTION PIPING:** 260 PSI  
**DISCHARGE PIPING:** 175 PSI

**FLOW:** 0.1 - 0.7 MMSCFD  
**GAS:** Sweet Natural Gas

**DIMENSIONAL DATA**

**LENGTH:** 20'  
**SHIP LENGTH:** 24'

**WIDTH:** 11'  
**SHIP WIDTH:** 12'

**HEIGHT:** 8' EAVE  
**SHIP HEIGHT:** 12'

**PACKAGE WEIGHT:** 21,000 lbs.

**EQUIPMENT DATA**

**COMPRESSOR:** Gardner Denver Compressor  
**MODEL:** SSHG99D  
**SERIAL#:** S246702  
**COUPLING:** Ringfedder Flywheel Coupling

**ENGINE:** CATERPILLAR  
**MODEL:** G3304NA  
**SERIAL #:** N4F01815  
**ARRANGEMENT#:** 222-9043

**MAX. DISCHARGE:** 375 PSI  
**MIN/MAX RPM:** 863 3777  
**OPERATING RPM:** 1800  
**WEIGHT:** 650 LBS

**IGNITION:** ALTRONIC III  
**RPM:** 1800  
**HP RATING:** 95 HP  
**WEIGHT:** 1630 LBS

**VESSELS**

TAG #:	V-201	V-202	V-203	V-204
<b>MODEL:</b>	600TIS	FUELGAS-8	600TOS	WSSF40E10
<b>DESCRIPTION:</b>	INLET SEPERATOR	FUELGAS	OIL COALESCING	INLET FILTER
<b>SIZE:</b>	16"	8"	18"	10"
<b>SERIAL #:</b>	05119001	05119003	05119002	06395901
<b>CRN #:</b>	A4060.321	OH5535.231	R2078.231	OH0670.32
<b>FILTER:</b>	DIVMESH	RFG 12	EAQ80105	FCP40E

**RELIEF VALVES**

TAG #:	PSV-201	PSV-202	PSV-203	N/A
<b>MAKE:</b>	Farris	Farris	Farris	
<b>INLET SIZE:</b>	1.5" MNPT	1" MNPT	1" MNPT	
<b>OUTLET SIZE:</b>	2" FNPT	1" FNPT	1" FNPT	
<b>RELIEF VALVE S/N:</b>	509599-6-KE	496662-23-KE	509171-13-KE	
<b>TEST TAG#:</b>	757928-2	757928-6	757928-4	
<b>SETPOINT:</b>	50 PSI	75 PSI	325 PSI	

**COOLER**

**MAKE:** ACE  
**MODEL:** J48A-6  
**SERIAL #:** 0612001  
**TYPE:** BOX HEADER/TUBE ST  
**FAN TYPE:** Crowley 6WL Low Speed  
**# OF BLADES:** 8 Blade

**JW SECTION CRN:** n/r  
**JW SECTION CRN:** n/r  
**AC SECTION CRN:** T4601.23/K5796.1  
**CLO SECTION CRN:** T4600.231  
**DESIGN ELEVATION:** 2200 FT  
**DESIGN AMBIENT:** 95 F

**CONTROL PANEL**

**MAKE:** MURPHY  
**PANEL #:** 50-30-3740

**CONTROLLER:** TTDJ-IGN-T



**WATERFLOOD SERVICE & SALES LTD  
JOB TAGS  
ENGINEERING PACKAGE CONTROL**

---

**CUSTOMER:** Husky **WSS JOB#:** 1220  
**CONTACT:** Naomi Osman **WSS ENG:** Carmon Lindquist  
**L.S.D:** 2A-15-52-7 W4M Swir **PACKAGE E9#:** E9-13025  
**AFE / PO#:** 4500182110 **MAIN SKID E9#:** E9-13269

---

**JOB PIPING TAG - EXHIBIT # 6C**

 <b>WATERFLOOD SERVICE &amp; SALES LTD.</b> BOX 1490 ESTEVAN, SK	<b>FABRICATED BY:</b>	<b>SERIAL # / JOB</b>
		<b>1220</b>
	<b>DATE</b>	<b>February 6/06</b>

**JOB PUMP TAG**

 <b>WATERFLOOD SERVICE &amp; SALES LTD.</b>	<b>ESTEVAN, SASK</b>				
	<b>(306) 634-7212</b>				
<b>MODEL:</b>	<b>SSHG99D</b>	<b>SER#:</b>	<b>S246702</b>		
<b>DESCRIPTION:</b>	<b>Gardner Denver Compressor</b>				
<b>MAX PSIG:</b>	<b>375</b>	<b>MIN RPM:</b>	<b>863</b>	<b>MAX RPM:</b>	<b>3777</b>
<b>DRIVER:</b>	<b>CATERPILLAR</b>	<b>MAX RPM:</b>	<b>1800</b>	<b>SER#:</b>	<b>N4F01815</b>
<b>JOB#</b>	<b>1220</b>	<b>JOB DATE:</b>	<b>Mar. 20/2007</b>		
<b>CONSULT MANUAL PRIOR TO OPERATION</b>					



# Inovator Bill Of Materials

Exhibit ISO-12  
Rev. A  
Date: Mar. 22/05

JOB #: 1220

Company: Husky

Rev#: 0

## G3304NA/SSH FLOODED SCREW PACKAGE

INDEX	TAG#	DESCRIPTION	PART#	QTY
1	HE-701	ACE COOLER W/ ADJ. FAN BLADES	J48A-6	1
2	SK-701	SHEAVE KIT FOR COOLER		1
		COOLER FAN SHEAVE	2TB18.4	1
		COOLER FAN BUSHING	BUQ1-1.438	1
		IDLER SHEAVE	2TB7.4	1
		IDLER BUSHING	BUQ1-1.188	1
		BELTS	BEB79	2
	SC-501	BIMBA AIR CYLINDER, SPRING RETURN FOR SPEED CONTROL	092DPJS	1
	FH-203	DONALDSON HMK03 SINGLE FILTER HEAD FOR SCAVENGER	P179460	1
	FH-301	DONALDSON DUAL FILTER HEAD 1 1/2" CODE 61	P167296	1
		BUSHING FOR RINGFEDER COUPLING 2517-1 3/4"	2517-1.750	1
	FCV-301	COMPRESSOR LOADING FOUR WAY CONTROL VALVE (CCenter)	SOM0801-P	1
		J-PORT ADAPTER FITTING FOR COMPRESSOR LOADING VALVE	720FS0-6-4	4
		AUXILLARY HIGH FLOW OIL FILTER HOUSING	HP1012	1
		FILTER ELEMENT FOR HIGH FLOW OIL FILTER HOUSING	DE2011	1
		GREENLINE ADAPTOR FOR CODE 61 BLEEDRINGS	1108-04-04	2
3	BDG-401	FOAM INJECTED GABLE STYLE PANEL BUILDING	BIFO1220	1
4		4" RAIN CAP	9-400	1
		RUBBER GROMMETS FOR PROTECTING FLEX LINES	92120	2
		3" RUBBER 90 ELL	P105532	2
		3" HOSE T-CLAMPS	#52HOSECLAMPS	2
		3" EXHAUST BAND CLAMPS FOR AIR INTAKE	X004478	2
5	UH-401	24X24 CISCAN NATURAL GAS HEATER W/120V START	MK2424211111	2
	PRV-401	LOW PRESSURE REGULATOR	ACR912	2
	TCV-401	THERMOSTAT VALVE	ACTC8000N7	2
		VENT HOOD ASSEMBLY	ACMKIIVHASSY	2
		PROTECTION GRILL (12x24)	ACSNA1224	4
6	STR-501	TDI LOW PRESSURE TURBO STARTER	T3126001502R	1
	RV-501	RELAY VALVE FOR STARTER	RLVA25683001	1
		2" NPT EXHAUST FLANGE FOR STARTER	T3027398	1
7	C-301	GARDNER DENVER SSHG99D COMPRESSOR	SSH	1
		VERTICAL INLET VALVE		1
		AUXILIARY OIL PUMP		1
		SAE #1 ADAPTER FLANGE		1
		300# ADAPTOR SPOOL		1
8		CHEVRON LOW ASH 40W OIL FOR ENGINE	HDAX40	208
9	SGS-203	SIGHT GLASS FOR SCAVENGER LINE	013 0.25	1
10	E-501	CAT G3304NA NATURAL GAS ENGINE	G3304NA	1
		CRANK CASE ECO VENT #9195A		1
11		EXHAUST BLANKET	PADMCCO00006	1
		HOSE #GYR 60859	GYR60859	1
		CLAMPS #TRD HS24	TRDHS24	6
		3219-2920 HOSE HOS 19B11/2	32192920	6
12		NORCOOL 50/50 GLYCOL FOR ENGINE #SLH225D	NORCOOL	110
13	CP-801	F.W. MURPHY CONTROL PANEL	50-30-3740	1
	LIC-501	MURPHY LEVEL INDICATING CONTROLLER FOR ENGINE OIL	LM301	1
	LSH-201	MURPHY LEVEL SWITCH ON INLET VESSEL	L1200	1
	LSH-203	MURPHY LEVEL SWITCH ON COALESCING VESSEL	L1200	1
	LSL-203	MURPHY LEVEL SWITCH ON COALESCING VESSEL	L1200	1
	VS-301	MURPHY VIBRATION SWITCH ON COMPRESSOR	VS2	1
	VS-701	MURPHY VIBRATION SWITCH ON COOLER	VS2	1
	LSL-701	MURPHY LEVEL SWITCH ON COOLER GLYCOL SECTION	EL150K1	1
	FCV-501	MURPHY FLOW CONTROL VALVE ON ENGINE FUELGAS	M2582P	1
	LCV-201	MURPHY DUMP VALVE 1" NPT ON INLET VESSEL	DVU150	1
	TW-301	THERMO WELL	10050899	1
	TW-203	THERMO WELL	10050899	1
	TW-501	THERMO WELL	10050899	1
	TW-901	THERMO WELL	10050901	1
14		FIBERGLASS BELT GUARD	SSHBLTGRD002	1

## G3304NA/SSH FLOODED SCREW PACKAGE

INDEX	TAG#	DESCRIPTION	PART#	QTY
15		RINGFEDER FLYWHEEL COUPLING	ACT3WNF	1
16	PRV-202	1" NPT FISHER 627 PRESSURE REGULATOR 1/2"OR, 70 PSI	627498	1
	PRV-501	1" NPT FISHER 627 PRESSURE REGULATOR 1/2" OR, 5 PSI	627496	1
	PRV-101	2" NPT FISHER 299H PRESSURE REGULATOR 1/2 OR, 1.5 PSI	299H	1
	PCV-201	2"-150/300/600# RFWAFER V100 VEEBALL	2FISHERV100	1
	PC-201	4160K CONTROL PNEUMATIC ACTUATOR		1
	PRV-201A	FISHER 67CFR600SPEC REGULATOR SET @ 30 PSI		1
	TCV-701	AMOT 2" NPT BHCT-180-01 THERMOSTATIC VALVE	2BHCT180	1
	LC-201	FISHER LEVEL CONTROLLER FOR INLET VESSEL	L2-XB	1
	PRV-201B	FISHER REGULATOR SET @ 30 PSI	67CFR600SPEC	1
	MUFF-501	SUPER HOSPITAL GRADE PLUS MUFFLER	EXHDPS4CCCSB4	1
		PARKER F919 HOSE ASSY. FOR BIMBA VENT	F919T444C42	1
		PARKER F919 HOSE ASSY. FOR HYDRAULIC PSI	F919T444C48	1
		PARKER F919 HOSE ASSY. FOR HIGH COMPRESSOR OIL PSI	F919T444C79	1
		PARKER F919 HOSE ASSY. FOR LOW COMPRESSOR OIL PSI	F919T444C79	1
		PARKER F919 HOSE ASSY. FOR INLET VALVE PSI	F919T444C84	1
		PARKER F919 HOSE ASSY. FOR SPEED CONTROL PSI	F919T444C100	1
		PARKER F919 HOSE ASSY. FOR DISCHARGE PSI	F919T444C108	1
		PARKER F919 HOSE ASSY. FOR SUCTION PSI	F919T444C120	1
		PARKER F919 HOSE ASSY. FOR FUEL VALVE PSI	F919T444C130	1
		PARKER F919 HOSE ASSY. FOR LOW COALESCING OIL PSI	F919T444C180	1
		PARKER F919 HOSE ASSY. FOR LINE PACK PSI	F919T444C180	1
		PARKER F919 HOSE ASSY. FOR SCAVENGER PSI	F919T444C208	1
		PARKER F919 HOSE ASSY. FOR SUCTION VALVE PSI	F919T444C232	1
		PARKER F919 HOSE ASSY. FOR BYPASS VALVE PSI	F919T444C238	1
		PARKER F919 HOSE ASSY. FOR BLOWDOWN VALVE PSI	F919T444C238	1
17		BOLT PACKAGE	SOUT1220	1
18	BV-101	3"-300# RF FP NACE TRIM BALL VALVE FOR GAS INLET		1
	BV-901	2"-300# RF RP NACE TRIM BALL VALVE FOR GAS OUTLET		1
	BV-301	1 1/2"-300# RF FP NACE TRIM BALL VALVE FOR COMPRESSOR OIL		1
	BV-904	2"-300# RF RP NACE TRIM BALL VALVE FOR INLET BYPASS		1
	BV-202	1"-300# RF RP NACE TRIM BALL VALVE FOR FUEL GAS		1
	BV-201	1"-300# RF RP NACE TRIM BALL VALVE FOR AUX. FUEL GAS		1
	BV-501	1 1/2"-150# RF RP NACE TRIM BALL VALVE FOR STARTER		1
	BV-502	1 1/2"-150# RF RP NACE TRIM BALL VALVE FOR ENGINE FUEL GAS		1
	BV-902	1"-300# RF RP NACE TRIM BALL VALVE FOR BLOWDOWN		1
	CV-901	2"-300# WAFER CS/SS DURABLA CHECK VALVE		1
	CV-301	1 1/2"-300# WAFER CS/SS DURABLA CHECK VALVE		1
	CV-302	1 1/2"-300# WAFER CS/SS DURABLA CHECK VALVE		1
	CV-904	2"-300# WAFER CS/SS DURABLA CHECK VALVE		1
	CV-903	1"-300# WAFER CS/SS DURABLA CHECK VALVE		1
	PSV-201	1.5"x2" FARRIS 27FA45-M20 RELIEF SET AT 50PSI		1
	PSV-202	1" FARRIS 27DA33-M20 RELIEF SET AT 75 PSI		1
	PSV-203	1" FARRIS 27DA33-M20 RELIEF SET AT 325 PSI		1
	FCV-902	1 "-300# RF RP NACE TRIM BALL VALVE W/PNEUM. ACTR. FO		1
	FCV-903	1 "-300# RF RP NACE TRIM BALL VALVE W/PNEUM. ACTR. FO		1
	BPR-901	2" KIMRAY BACK PRESSURE REGULATOR	AAR230SGTBPD	1
	BPR-903	1" KIMRAY BACK PRESSURE REGULATOR	AKB130SGTBPD	1
	TI-201	WIKA 0-250F 3 " DIAL THERMOMETER 1/2"MNPT	WL31105	1
	TW-201	THERMOWELL 1/2" FNPT X 3/4" MNPT X 2 1/2" 316SS	3/4-025-316	1
	RO-902	1"-300# ANSI WAFER 0.125" ORIFICE PLATE 316SS	OP1-300	1
	CS-301	4"-150# CONE STRAINER /W 316 SS 100 MESH	WITCHESHAT4	1
	FE-501	ROOTS FLOW METER W/1.5" FNPT CONNECTIONS	8C175	1
	FLEX-301	FLEX HOSE FOR SUCTION LINE OF COMPRESSOR	3014272733.8	1
	FLEX-302	FLEX HOSE FOR DISCHARGE LINE OF COMPRESSOR	3012.5303022	1
		FLEX HOSE FOR STARTER EXHAUST	3012010136	1
		FLEX HOSE FOR ENGINE EXHAUST SQUARE TO SQUARE	3004CAT18	1
	PI-201	WIKA 0-60 PSI 4" LIQUID FILLED PRESSURE GAUGE	PI4.0060	1
	PI-202	WIKA 0-100 PSI 4" LIQUID FILLED PRESSURE GAUGE	PI4.0100	1
	PI-501	WIKA 0-15 PSI 4" LIQUID FILLED PRESSURE GAUGE	PI4.0015	1
	DPI-204	DIFFERENTIAL PRESSURE GAUGE FOR INLET FILTER VESSEL 0-60 PSI	DPI60	1
	SG-201	JERGUSON HIGH PRESSURE SIGHT GLASS	68-16R2040AN	1
	SG-202	JERGUSON HIGH PRESSURE SIGHT GLASS	68-16R2040AN	1
	SG-203	JERGUSON HIGH PRESSURE SIGHT GLASS	68-16R2040AN	1
18		JERGUSON 3/4" VALVES FOR HP SIGHT GLASS	68-146GS	3
19		WELDED FITTINGS ORDER		1
20		THREADED FITTINGS ORDER		1
21		*****WSS PURCHASED STOCK*****		
		GASKET FOR TOP OF COALESCING VESSEL	600TGSSH	1

## G3304NA/SSH FLOODED SCREW PACKAGE

INDEX	TAG#	DESCRIPTION	PART#	QTY
		MAILBOX FOR PACKAGE DOCUMENTS	MAILBOX	1
		GD SAMPLE BOTTLES	CSBK4	6
		GD COMPRESSOR OIL	28H140	155
		KRAMER SOS NIPPLE (Oil Sample Point)	8C3446	1
		KRAMER SOS NIPPLE O-RING	3J7354	1
		KRAMER SAMPLE HOSE	3500A	2
		DONALDSON 10 MICRON FILTER ( Viton Seal, H2S )	P171276	2
		DONALDSON FILTER ELEMENT FOR SCAVENGER LINE	P170312	1
		1/8" CABLE FOR MUFFLER SUPPORT	CABLE.125	40
		CLAMPS FOR 1/8" CABLE	CABLECLAMP	10
		BREATHER CAP FOR SUMPTANKS	7802020	2
		EL150K1 MOUNTING PLATE	EL150K1PLATE	1
		LM301EX MOUNTING PLATE	LM301EXPLATE	1
		SCAVENGER FILTER PLATE	SCAV-FP-R1	1
		SCAVENGER SIGHT GLASS PLATE	SCAV-SGP	1
		60 GALLON DAY TANK MOUNTING PLATE	DTBRACKET	2
		*****WSS MANUFACTURED STOCK*****		
		EXPANSION TANKS	TAXTANK	1
		AIR INTAKE SYSTEM C/W HOT BOX	TAHOTBOX	1
		BIMBA THROTTLE CONTROL PARTS	BIMBAPARTSH	1
		HOOKS FOR BUILDING RIDGE VENT CHAINS	FSHOOK	2
		COMPRESSOR LOADING VALVE MOUNTING PLATE	SSHG001	1
		60 GALLON DAY TANK	DAYTANK60	1
		SUMPTANK FOR USED FLUID	SUMPTANK	2
		SPACER FOR AUX. DRIVE PULLEY FOR G3300 ENGINE	3N6127SPACER	1
		H.D. ENVIRO STRUCTURAL STEEL SKID	NAMAINSKID	1
		SIMPLE SKID FOR ENGINE/COMPRESSOR	SKSSHSIMPLE	1
	V-201	INLET SEPERATOR VESSEL	600TIS	1
	V-202	FUEL GAS VESSEL	FUELGAS-8	1
	V-203	OIL COALESCING VESSEL	600TOS	1
	V-204	INLET FILTER VESSEL	WSSFCP40E10	1
22	P-204	BRUIN PUMP - 1/2" FNPT GAS RATED DOUBLE DIAPHRAGM	G05B1ABTXNSX	1
23		PARKER HOSE ASSEMBLIES	WILT1220	1
24		RACOR CRANKCASE VENTILATION	CCV4500	1
		RACOR CROSSOVER ADAPTORS	CCV55280	2
25		CANALTA 2"-300# SCHD80 METER RUN WITH STRAIGHTENING VANES 62.5" OAL	2"FLOW METER	1
28		ELECTRICAL PACKAGE	PSEL1220	1
29		EMMISSION STUDY	COLT1220	1
30		X-RAY	GBCI1220	1
31		MISCELLANEOUS MATERIAL		1
31		STAINLESS STEEL FITTINGS MATERIAL		1
31		PAINTING MATERIAL		1
31		APPRAISALS		1
31		CSA CERTIFICATION BY ENTELLA (QPSF)		1
31		MISC. LOADING AND MOVING CHARGES		1
31		PIPING LABOUR	EW2 & EW3	150
31		ASSEMBLY LABOUR	EW1	250
31		QC		15
31		MECHANICAL & INSTRUMENTATION LABOUR	ES1 & ES7	125
31		ENGINEERING LABOUR	EE1 & EE2	75
31		ALX LABOUR	EA1	1
31		MACHINING LABOUR	EM1	15
31		PAINTING LABOUR	EWP	10
31		SUPERVISION	EE3	30
31		ACCOUNTING LABOUR	ACC	15
31		BUILDING LABOUR	EWB	75



**Flooded Screw Test Run Sheet**  
Engineering Package Control

*March 20/07*

**CUSTOMER:** Waterflood Stock  
**CONTACT:** David Heier  
**L.S.D:** tba  
**AFE / PO#:** tba  
**WSS JOB#:** 1220  
**WSS ENG:** Carmon Lindquist

**DATE:** Oct 23/05  
**PH#:** 306-825-1198  
**FAX#:** 306-825-1159  
**DATE REQUIRED:** Feb. 20/2007  
**PACKAGE E9#:** E9-13025  
**COMPRESSOR E9#:** \_\_\_\_\_

DONE  
✓

1. Air up system and check for leaks.

Leaks found

*Murphy panel, some loose fitting, sight glass union of coal vessel fuel hose and air starter hose were loose, fittings on the hydraulic controller, and a JIC 90° on the filter max.*

2. Open / close valves for startup  
3. Check fluid levels

✓  
✓

Equipment	Type Required	Amount	Full
Engine Oil	SSQG99B	19 litres	✓
Engine coolant	Norkool dilute SLH25D	120 litres	✓
Engine day Tank	SSQG99B	186 litres	✓
Roots Meter	ROOTS Meter Oil	2 oz.	✓
Compressor Oil	AEON-NG-HS10	210 litres	✓

4. Clear / reset panel fault codes  
5. Reset panel for Starting  
6. Start unit Engine throttle at idle (1200 rpm)  
Unloaded valve at min %

✓  
✓  
✓

7. Open suction valve, close bypass, and close blowdown.  
8. Adjust suction valve for smooth operation  
9. Check for leaks  
10. Test shutdowns

✓  
✓  
✓

Panel Functions	Set Point	Location	Okay	Comments
Bypass Timer				
Prelube Timer				
Postlube Timer				



Inovator Test Run Sheet - Exhibit ISO-8

Shut Down Sensors	ID	Class	Set Point	Location	Okay	Comments
<b>Engine</b>						
Oil Pressure - Engine		B1		Engine		
Oil Filter Engine - Diff Press		B1		Engine		
Hi Engine Temperature		B1		Engine		
Turbo Pressure		B1		Engine		
Turbo H2O Temperature		B1		Engine		
Engine Vibration	22	A		Engine	✓	
Low Oil Level - Engine	21	A		Engine	✓	
Engine Overspeed	50	A		Panel	✓	
Low Coolant Level Engine	20	A		Cooler	✓	
<b>Compressor</b>						
Hi Discharge Temp - Compressor		A		Comp.		
Hi Oil Temp - Return		A		Comp.		
Oil Filter Diff Pressure		B1		Comp.		
Low Suction Pressure	01	B1		Inlet	✓	
Low Discharge Pressure	02	B1		Comp.	✓	
Hi Discharge Pressure	17	A		Comp.	✓	
Hi Suction Pressure	16	A		Inlet	✓	
Low Return Oil Pressure		B1		Comp.		
<b>Vessels</b>						
Low Oil Level - Coalescing	8	B1		Coalescing	✓	
Coalescing Filter Diff. Pressure		B1		Coalescing		
Hi Liq. Level - Suc Scrubber	23	A		Inlet	✓	
Hi Liq. Level - Fuel Gas Scrubber		A		Inlet		
<b>Misc.</b>						
ESD - Remote On Panel	32	A		Panel	✓	
Fire Detection		A		Panel		
Gas Detection		A		Panel		
Radio Alarm Tested		A		Panel		
Fuel Gas Valve Check		A		Engine		
Magneto Ground Switch		A		Engine		
Louver Control Check		A		Cooler		
Governor Check		A		Engine		
ESD - Remote On Outside of Building	29	A		Outside	✓	
Cooler Vibration Switch	27	A		Cooler	✓	
Notes:						
High Oil Level Coalescing	9	B1			✓	
Engine Underspeed	51	B1			✓	

11. System running levels

	Startup 4/10	4/26	Shutdown
Engine RPM	1730		1736
Engine Vacuum	10		10
Engine Water Temperature	190°F		192°F
Compressor Discharge Temp	150°F		146°F
Compressor Return Temperature	140°F		160°F
Engine Oil Pressure	80		78
Compressor Oil Pressure	130		125
Compressor Oil Filter Differenail	2		3



Inovator Test Run Sheet - Exhibit ISO-8

Oil Coalescing Filter Differential	3	2
Suction Pressure	14	14
Discharge Pressure	112	115
Sales Gas Temperature	65	65
Line Pack Pressure	25	23
Building Temperature	22°C	25

12. Test Automation Systems ✓

Engine Speed Control	Activation Pressure	150
	Engine RPM	1350
System Bypass	Activation Pressure	<del>100</del> 175
	Kimray Pressure setting	80

13. Check low suction bypass ✓

setting pressure 2 psig

14. Check scavenge line operation ✓

15. Check unloader valve operation ✓

16. Notes

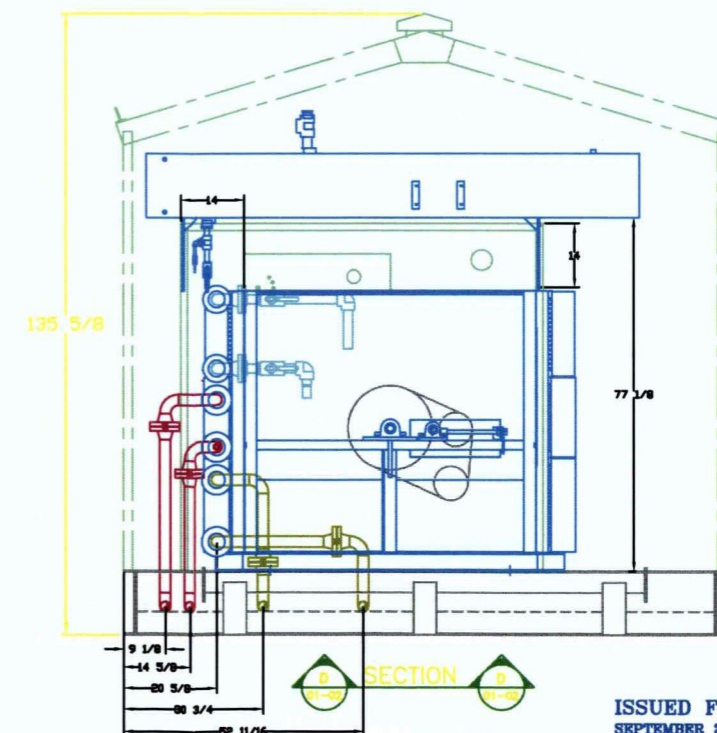
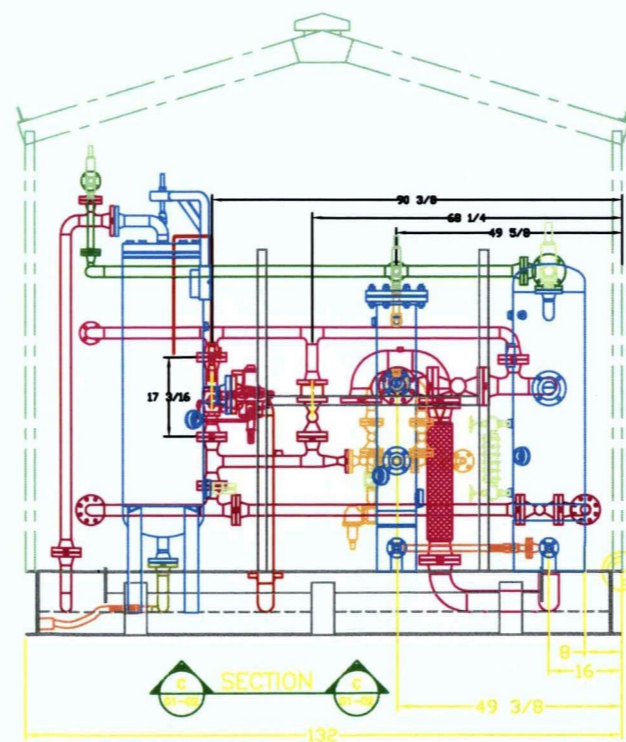
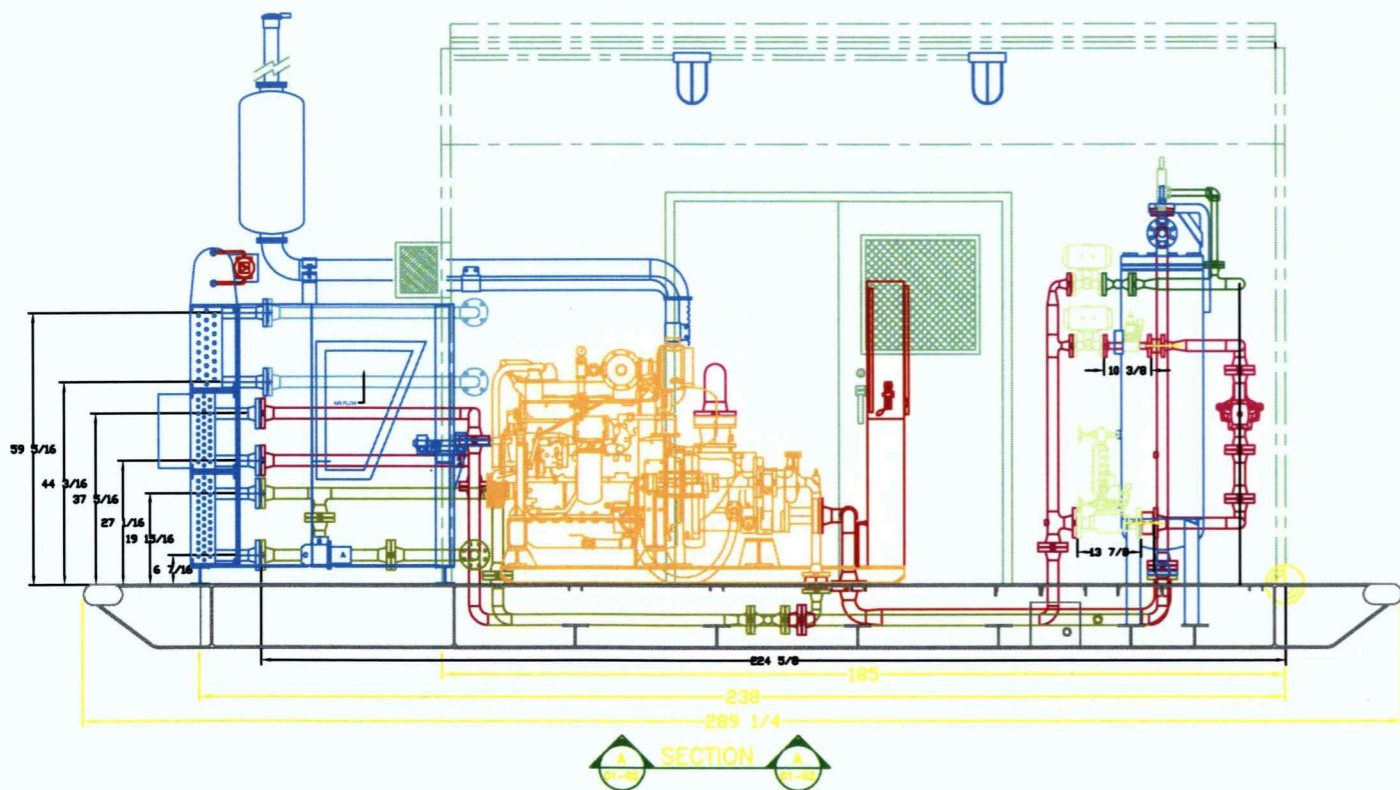
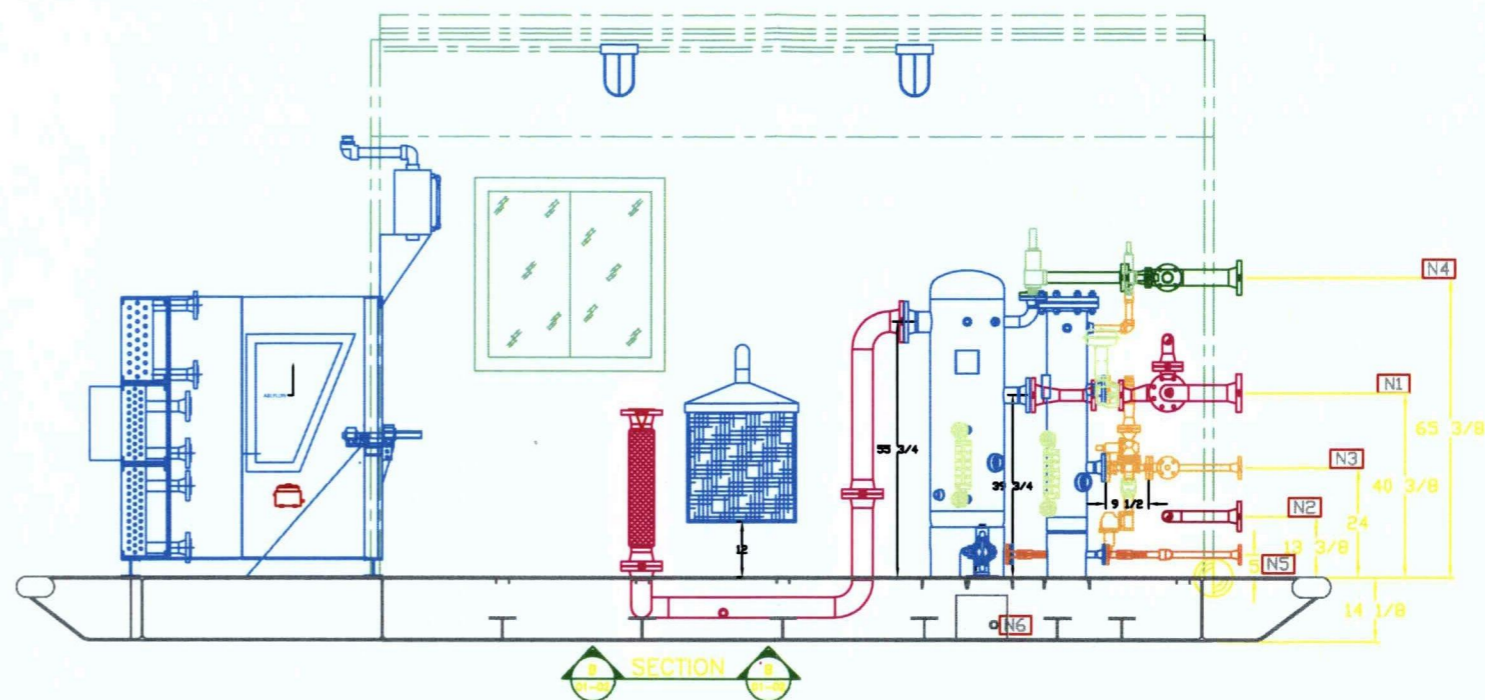
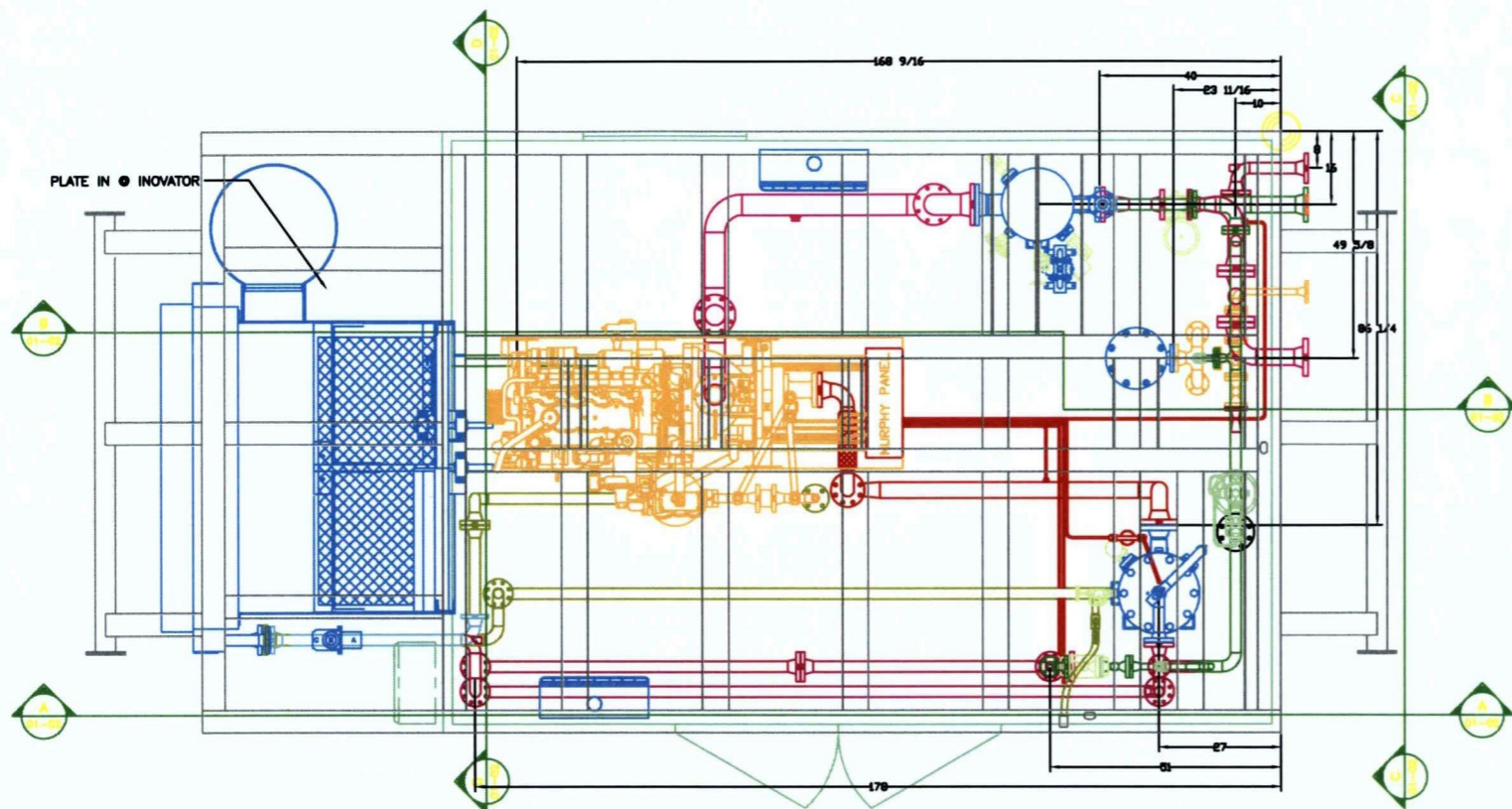
The low level switch on the coalescing vessel was tripping regardless of the amount of oil in the vessel. The oil was froathy, we thought it might be contaminated so I drained the acron oil and replaced the oil, still the switch was tripping constantly.

17. Test run completed by: Mike Bezaire

Date March 20 2007

so we adjusted the lever on the switch. so now it works

NOZZLE SCHEDULE		
NOZZLE	QTY.	DESCRIPTION
100		3"-300 ANSI RF SUCTION GAS INLET
101		2"-300 ANSI RF DISCHARGE GAS OUTLET
102		1"-300 ANSI RF START/FUEL GAS INLET
103		3"-150 ANSI RF RELIEF/FLARE OUTLET
104		1"-150 ANSI RF DRAIN OUTLET
105		1"-2000 FNPT COALESCING OIL DRAIN OUTLET



ISSUED FOR CONSTRUCTION  
SEPTEMBER 20/2006

CHECKED BY

PER CARMON R. LINDQUIST

REV	DATE	REVISION DESCRIPTION
1		
2		
3		
4		



WATERFLOOD SERVICE & SALES  
SSH ROTARY  
FLOODED SCREW COMPRESSOR

PROJECT GS904NA/SSH  
OVERVIEW PRINT  
JOB #1220

DESIGNED	DATE	CHECKED	DATE

SCALE: 1/8" = 1'-0"

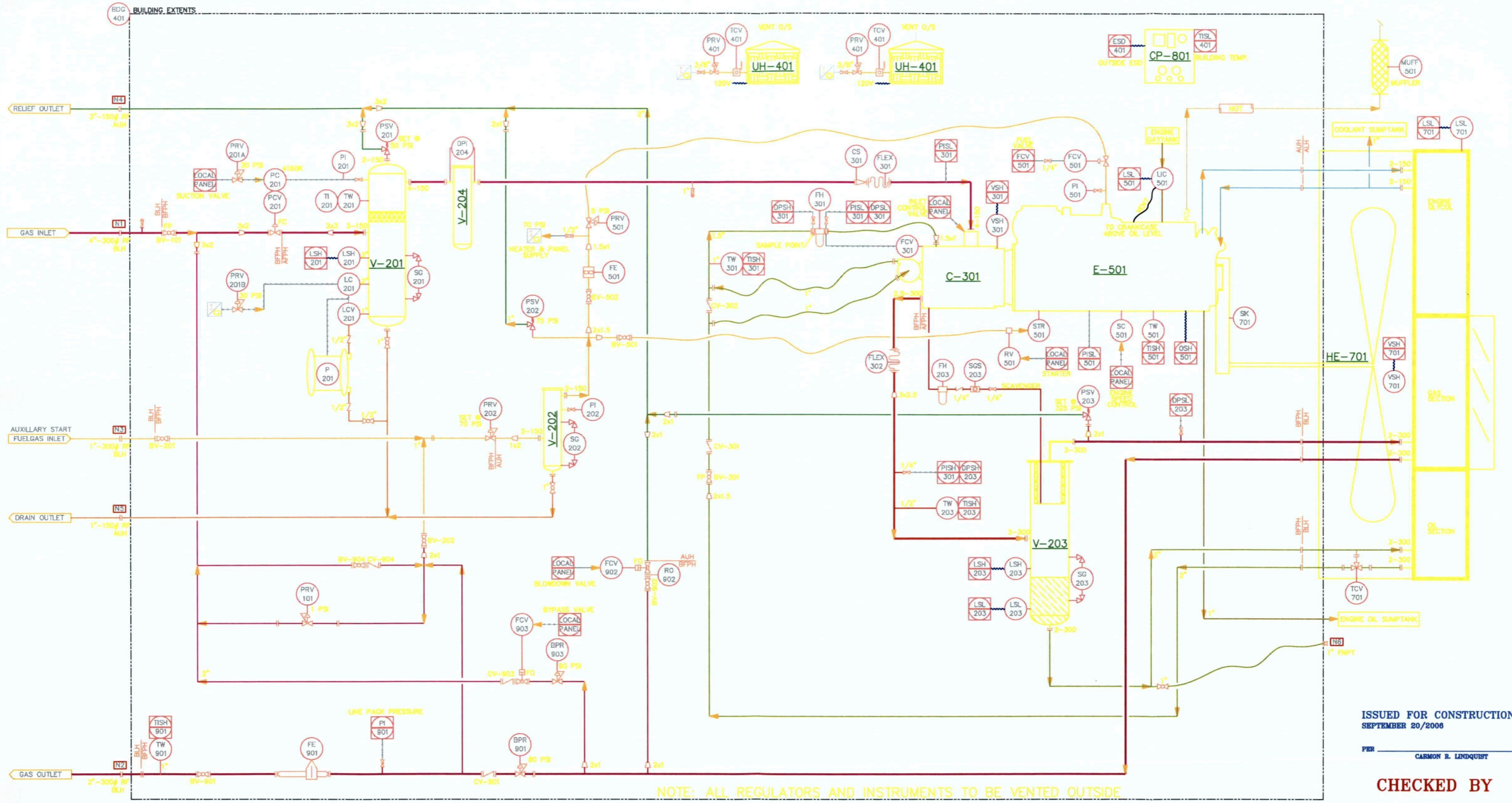
COMPUTER FILE #

DRAWING CONTROL #

1 OF 1



<b>V-201</b> <b>INLET VESSEL</b> WATERFLOOD SERVICE AND SALES LTD. MODEL#: 600TIS SIZE: 16" x 48" (8.8 CU. FT.) DESIGN: 260 PSI @ 200°F CRN#: A4060.32	<b>V-202</b> <b>FUEL GAS SCRUBBER</b> WATERFLOOD SERVICE AND SALES LTD. MODEL#: FUEL GAS-B SIZE: 8" x 47" (1.27 CU. FT.) DESIGN: 260 PSI @ 200°F CRN#: OH5535.231	<b>V-203</b> <b>OIL COALESCING VESSEL</b> WATERFLOOD SERVICE AND SALES LTD. MODEL#: 600TOS SIZE: 18" x 55" ( 8.1 CU. FT.) DESIGN: 375 PSI @ 233°F CRN#: R2078.23	<b>V-204</b> <b>INLET FILTER VESSEL</b> WATERFLOOD SERVICE AND SALES LTD. MODEL#: WSSFCP4DE10 SIZE: 10" x 32" (1.5 CU. FT.) DESIGN: 150 PSI @ 233°F CRN#: OH0670.32	<b>UH-401</b> <b>BLDG. HEATERS</b> MAKE : CISCAN NATURAL GAS MODEL No. : MKII 24x24 C/W EXP. PROOF THERMOSTAT C/W 120V STARTERS	<b>C-301</b> <b>SCREW COMPRESSOR</b> MAKE/MODEL: GARNER DENVER SSHG99D TYPE: ROTARY SCREW C/W 5.2V. INLET CONTROL VALVE AUX. OIL PUMP, SAE#1 ADAPTOR	<b>E-501</b> <b>ENGINE DRIVER</b> MAKE : CATERPILLAR MODEL No. : G3304NA 10.5:1 COMPRESSION, NATURAL GAS RATED: 95 HP @ 1800 RPM	<b>HE-701</b> <b>HEAT EXCHANGER</b> MAKE : ACE J45A-B DESIGN: BOX END, TUBE TYPE GRN: ALBERTA & SASK. LOW TEMP, LOW SPEED FAN	<b>CP-801</b> <b>CONTROL PANEL</b> MAKE : F.W. MURPHY MODEL No. : 50-30-3740 CONTROLLER: TTDJ-IGN-T CLASSI, DIVII, INTRINSICALLY SAFE
--	---	--	---	--	---	---	--	--



NOTE: ALL REGULATORS AND INSTRUMENTS TO BE VENTED OUTSIDE

ISSUED FOR CONSTRUCTION  
SEPTEMBER 20/2006

PER CARMON R. LINDQUIST

CHECKED BY

PER \_\_\_\_\_

REV	DATE	REVISION DESCRIPTION	CRL
1	03/11/07	AS BUILT	CRL
2			
3			
4			



TITLE  
**WATERFLOOD SERVICE & SALES LTD.**  
**SSH ROTARY**  
**FLOODED SCREW COMPRESSOR**

PROJECT  
**G3304NA/SSH**  
**P&ID PRINT**  
**JOB 1220**

DESIGNED <b>CARMON LINDQUIST</b>	DATE <b>09/20/06</b>	DRAWN <b>CARMON LINDQUIST</b>	DATE <b>09/20/06</b>
APPROVED	DATE	CHECKED	DATE
SCALE <b>NTS</b>	COMPUTER FILE # <b>1220 P&amp;ID.DWG</b>	SHEET <b>1 OF 1</b>	REV <b>1</b>
	DRAWING CONTROL # <b>1220P&amp;ID-1-1</b>		