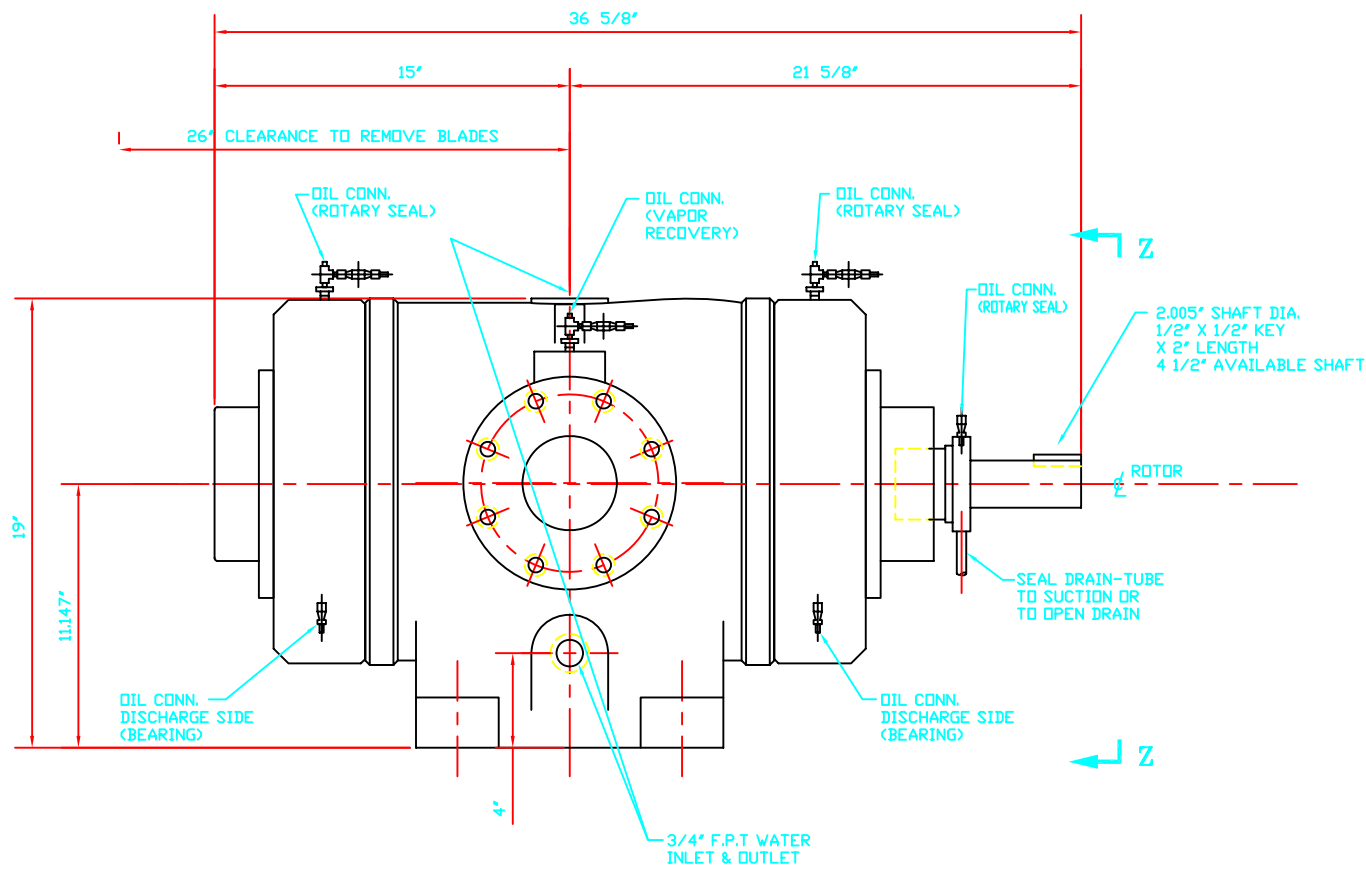
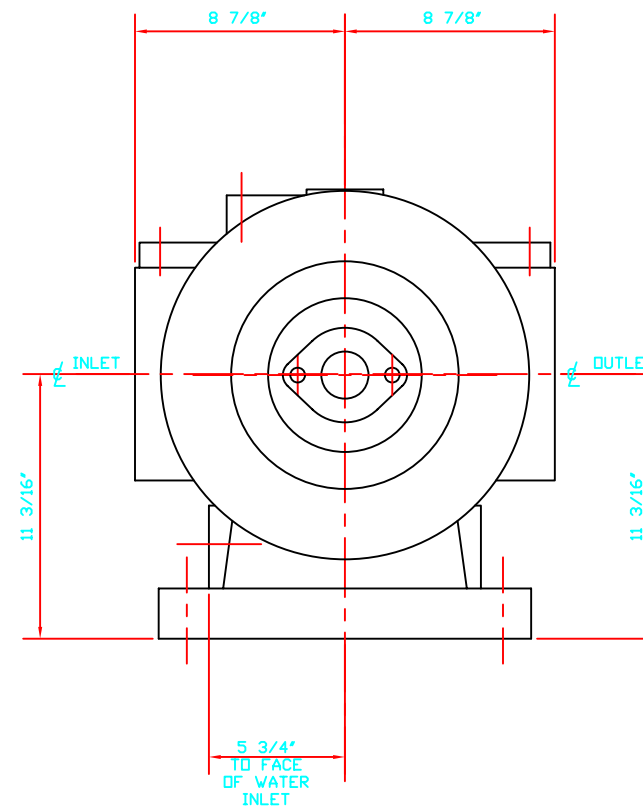


CYLINDER FOOT

INLET AIR CONNECTION					OUTLET AIR CONNECTION 125 PSI MAX.				
NOM. SIZE	O.D.	D.B.C.	NO. TAP OR PLAIN BOLTS	TAP BOLT OR BOLT SIZE	NOM. SIZE	O.D.	D.B.C.	NO. BOLT	SIZE BOLT
4 FL'G'D.	9	7 1/2	8	5/8-11	3 FL'G'D.	7 1/2	6	4 TAP BOLT	5/8-11



CYLINDER FOOT



SECTION "Z-Z"

REV. NO.	2	DR.	FRH	CHKD.	TGK	APPR.	TGK	DATE	2/16/05	ZONE	MICRO	GENERAL REVISION.	
<p>The information transmitted by this document is the proprietary and confidential property of F.L.Smith Inc., and may not be duplicated, disclosed or utilized without written consent from F.L.Smith Inc.</p>													
DR. FRH		CC-60/70 SINGLE STAGE											
CHKD. TGK		W/ROTARY SEALS & VR HEADS											
APPR. TGK		COMPRESSOR OUTLINE DIMENSIONS											
DATE 28JUL04		DRAWING NUMBER								REV.		SHEET	
SCALE 3"=12"		103-04-4-0117								2		NO. 1 OF 1	
MICRO													

Documentum Version No. 2.0

FUL-VANE
 COMPRESSOR SIZING
 OUTPUT

21-Feb-07

COMPUTER SELECTION

MANUAL SELECTION

COMPRESSOR SIZE		cc70	c70
GAS		0	
GAS M.W.		44.035	
GAS S.G.		1.52	
GAS Cp/Cv		1.20	
OPERATING SPEED		RPM	900.00
			900.00
CAPACITY	ICFM	314.99	314.83
AT	SCFM	249.70	249.58
INTAKE	SCFD	3.60E+05	3.59E+05
	M3/MIN	7.07	7.07
POWER	BHP	45.23	45.01
CONSUMPTION	KW	33.73	33.57
INLET	DEG F	150.00	150.00
TEMPERATURE	DEG C	65.56	65.56
AMBIENT	PSIA	13.67	13.67
PRESSURE	"HG	27.83	27.83
	" W.G.	378.44	378.44
	kg/cm2	0.96	0.96
INTAKE	PSIA	13.67	13.67
PRESSURE	"HG	0.00	0.00
(Gauge Pressures)	" W.G.	0.00	0.00
	kg/cm2	0.00	0.00
	Psig	0.00	0.00
DISCHARGE	DEG F	343.14	343.14
TEMPERATURE	DEG C	172.86	172.86
DISCHARGE	PSIA	56.67	56.67
PRESSURE	"HG	87.55	87.55
(Gauge Pressures)	" W.G.	1190.41	1190.41
	kg/cm2	3.02	3.02
	PSIG	43.00	43.00
COMPRESSION RATIO		4.15	4.15
PRESSURE	PSI	43.00	43.00
DIFFERENTIAL	"HG	87.55	87.55
	"mm W.G.	1190.41	1190.41
	kg/cm2	3.02	3.02
INLET COOLANT	DEG F	120.00	120.00
TEMPERATURE	DEG C	48.89	48.89
COOLANT FLOW(H2O)	GPM	3.83	3.81
COOLANT FLOW(GLYCOL)	GPM	4.51	4.48
AIR VOL. EFFICIENCY		84.06%	84.06%
GAS VOL. EFFICIENCY		84.80%	84.80%

**CENTRIFUGAL COMPRESSOR
DATA SHEET (API 617-6TH)
SI UNITS**

JOB NO. SK0101-003 ITEM NO. K-130
REVISION NO. 0 DATE 9/19/2006
PAGE 2 OF 2 BY Najmy

1 OPERATING CONDITIONS (Continued) (3.1.2) (3.1.3)								
2 GAS ANALYSIS:		3 NORMAL	OTHER CONDITIONS					REMARKS: (2.11.1.3) (2.11.1.8)
4	MW		A	B	C	D	E	
		mole%						
5	AIR	28.966						
6	OXYGEN	32.000						
7	NITROGEN	28.016						
8	WATER VAPOR	18.016						
9	CARBON MONOXIDE	28.010						
10	CARBON DIOXIDE	44.010	70					
11	HYDROGEN SULFIDE	34.076					(2.11.1.7)	
12	HYDROGEN	2.016						
13	METHANE	16.042						
14	ETHYLENE	28.052						
15	ETHANE	30.068						
16	PROPYLENE	42.078						
17	PROPANE	44.094	30					
18	I-BUTANE	58.120						
19	n-BUTANE	58.120						
20	I-PENTANE	72.146						
21	n-PENTANE	72.146						
22	HEXANE PLUS							
23								
24								
25	TOTAL							
26	AVG. MOL. WT.							

27 LOCATION: (2.1.9)	NOISE SPECIFICATIONS: (2.1.10)
28 <input type="radio"/> INDOOR <input type="radio"/> OUTDOOR <input type="radio"/> GRADE	<input type="radio"/> APPLICABLE TO MACHINE:
29 <input type="radio"/> HEATED <input type="radio"/> UNDER ROOF <input type="radio"/> MEZZANINE	SEE SPECIFICATION
30 <input type="radio"/> UNHEATED <input type="radio"/> PARTIAL SIDES <input type="radio"/>	<input type="radio"/> APPLICABLE TO NEIGHBORHOOD:
31 <input type="radio"/> ELEC. AREA CLASSIFICATION (2.1.15) CL GR DIV	SEE SPECIFICATION
32 <input type="radio"/> WINTERIZATION REQ'D. (2.1.9) <input type="radio"/> TROPICALIZATION REQ'D. (3.4.6.6)	ACOUSTIC HOUSING: <input type="radio"/> YES <input type="radio"/> NO
33 SITE DATA:	APPLICABLE SPECIFICATIONS:
34 <input type="radio"/> ELEVATION 600 m BAROMETER 0.94 BAR	API 617, CENTRIFUGAL COMPR. FOR GEN. REFINERY SERV.
35 <input type="radio"/> RANGE OF AMBIENT TEMPS:	<input type="radio"/> VENDOR HAVING UNIT RESPONSIBILITY (2.9.1.7)
36 DRY BULB WET BULB	<input type="radio"/> GOVERNING SPECIFICATION (IF DIFFERENT)
37 NORMAL °C _____ _____	
38 MAXIMUM °C _____ _____	
39 MINIMUM °C _____ _____	
40 °C _____ _____	
41 UNUSUAL CONDITIONS: <input type="radio"/> DUST <input type="radio"/> FUMES	PAINTING:
42 <input type="radio"/> OTHER (2.1.8) _____	<input type="radio"/> MANUFACTURER'S STD.
43 _____	<input type="radio"/> OTHER _____
44 _____	SHIPMENT: (4.4.1)
45 REMARKS: Skid and bulling required	<input type="radio"/> DOMESTIC <input type="radio"/> EXPORT <input type="radio"/> EXPORT BOXING REQ'D.
46 _____	<input type="radio"/> OUTDOOR STORAGE MORE THAN 6 MONTHS (4.4.1)
47 _____	SPARE ROTOR ASSEMBLY PACKAGED FOR (4.4.3.10)
48 _____	<input type="radio"/> HORIZONTAL STORAGE <input type="radio"/> VERTICAL STORAGE
49 _____	
50 _____	
51 _____	

CENTRIFUGAL COMPRESSOR DATA SHEET (API 617-6TH) SI UNITS	JOB NO. <u>SK0101-003</u> ITEM NO. <u>K-130</u> PURCHASE ORDER NO. _____ SPECIFICATION NO. _____ REVISION NO. <u>0</u> DATE <u>9/19/2006</u> PAGE <u>1</u> OF <u>2</u> BY <u>Najmy</u>
---	--

1 APPLICABLE TO: PROPOSAL PURCHASE AS-BUILT

2 FOR Well Head VRU Package UNIT _____

3 SITE 20W3M SERIAL NO. K-130

4 SERVICE CO2/C3H8 Mixture NO. REQUIRED 5

5 CONTINUOUS INTERMITTENT STAND BY DRIVER TYPE (3.1.1) Engine Drive

6 MANUFACTURER _____ MODEL _____ DRIVER ITEM NO. _____

7 NOTE: INFORMATION TO BE COMPLETED: BY PURCHASER BY MANUFACTURER

OPERATING CONDITIONS

(ALL DATA ON PER UNIT BASIS)	NORMAL	OTHER CONDITIONS (3.1.2)				
		A	B	C	D	E
13 <input type="radio"/> GAS HANDLED (ALSO SEE PAGE _____)						
14 <input type="radio"/> m³/h (1.013 BAR & 0 °C DRY)						
15 <input type="radio"/> WEIGHT FLOW, kg/h (WET) (DRY)						

16 **INLET CONDITIONS**

17 <input type="radio"/> PRESSURE (BAR) (kPa abs)	104.775 kPa abs					
18 <input type="radio"/> TEMPERATURE (°C)	80					
19 <input type="radio"/> RELATIVE HUMIDITY %						
20 <input type="radio"/> MOLECULAR WEIGHT (%)	44.0352					
21 <input type="radio"/> Cp/Cv (K1) OR (Kavg)						
22 <input type="checkbox"/> COMPRESSIBILITY (Z1) OR (Zavg)						
23 <input type="checkbox"/> INLET VOLUME, (m³/h) (WET / DRY)						

24 **DISCHARGE CONDITIONS**

25 <input type="checkbox"/> PRESSURE (BAR) (kPa abs)						
26 <input type="checkbox"/> TEMPERATURE (°C)						
27 <input type="checkbox"/> Cp/Cv (K2) OR (Kavg) NOTE 1						
28 <input type="checkbox"/> COMPRESSIBILITY (Z1) OR (Zavg) NOTE 1						
29 <input type="checkbox"/> KW REQUIRED (ALL LOSSES INCLUDED)						
30 <input type="checkbox"/> SPEED (RPM)						
31 <input type="checkbox"/> ESTIMATED SURGE, m³/h (AT SPEED ABOVE)						
32 <input type="checkbox"/> POLYTROPIC HEAD (N-m/kg)						
33 <input type="checkbox"/> POLYTROPIC EFFICIENCY (%)						
34 <input type="checkbox"/> CERTIFIED POINT						
35 <input type="checkbox"/> PERFORMANCE CURVE NUMBER						

37 **PROCESS CONTROL**

38 METHOD SUCTION THROTTLING VARIABLE INLET SPEED VARIATION DISCHARGE COOLED BYPASS

39 FROM _____ (BAR)(kPa abs) GUIDE VANES FROM _____ % BLOWOFF FROM _____

40 TO _____ (BAR)(kPa abs) (3.4.2.4) TO _____ % TO _____ TO _____

41

42 SIGNAL SOURCE (3.4.2.1)

43 TYPE ELECTRONIC PNEUMATIC OTHER _____

44 RANGE _____ MA _____ (BAR)(kPa abs) _____

45

46 ANTI-SURGE BYPASS MANUAL AUTOMATIC NONE

47

48 **REMARKS:** CO2/C3H8 mixture flowrate is 10,000 m3/d

49 Rotary Vane type compressor

50 **NOTE 1: IF GAS ANALYSIS IS GIVEN, MANUFACTURER SHALL SUPPLY DATA, OTHERWISE DATA SHALL BE SUPPLIED BY USER.**

FUL-VANE
 COMPRESSOR SIZING
 OUTPUT

19-Oct-06

CO2/C3H8

COMPRESSOR SIZE		c70	
GAS	CO2/C3H8		
GAS M.W.	44.035		
GAS S.G.	1.52		
GAS Cp/Cv	1.20		
OPERATING SPEED	RPM	0.00	0 796.47 Design
CAPACITY	ICFM	295.84	295.84
AT	SCFM	245.83	245.83
INTAKE	SCFD	3.54E+05	3.54E+05
	M3/MIN	6.96	6.96
POWER	BHP	0.00	25.93
CONSUMPTION	KW	0.00	19.34
INLET	DEG F	122.00	122.00
TEMPERATURE	DEG C	50.00	50.00
AMBIENT	PSIA	13.67	13.67
PRESSURE	"HG	27.84	27.84
	" W.G.	378.49	378.49
	kg/cm2	0.96	0.96
INTAKE	PSIA	13.67	13.67
PRESSURE	"HG	0.00	0.00
(Gauge Pressures)	" W.G.	0.00	0.00
	kg/cm2	0.00	0.00
	Psig	0.00	0.00
DISCHARGE	DEG F	246.06	246.06
TEMPERATURE	DEG C	118.92	118.92
DISCHARGE	PSIA	33.67	33.67
PRESSURE	"HG	40.72	40.72
(Gauge Pressures)	" W.G.	553.68	553.68
	kg/cm2	1.41	1.41
	PSIG	20.00	20.00
COMPRESSION RATIO		2.46	2.46
PRESSURE	PSI	20.00	20.00
DIFFERENTIAL	"HG	40.72	40.72
	"mm W.G.	553.68	553.68
	kg/cm2	1.41	1.41
INLET COOLANT	DEG F	122.00	122.00
TEMPERATURE	DEG C	50.00	50.00
COOLANT FLOW(H2O)	GPM	0.00	2.20
COOLANT FLOW(GLYCOL)	GPM	0.00	2.58
AIR VOL. EFFICIENCY		0.00%	89.11%
GAS VOL. EFFICIENCY		0.00%	90.04%

FUL-VANE
 COMPRESSOR SIZING
 OUTPUT

19-Oct-06

CO2/C3H8

COMPRESSOR SIZE		c70	
GAS		CO2/C3H8	
GAS M.W.		44.035	
GAS S.G.		1.52	
GAS Cp/Cv		1.20	
OPERATING SPEED	RPM	0.00	0 500.00 Min
CAPACITY	ICFM	0.00	185.72
AT	SCFM	0.00	154.33
INTAKE	SCFD	0.00E+00	2.22E+05
	M3/MIN	0.00	4.37
POWER	BHP	0.00	14.94
CONSUMPTION	KW	0.00	11.14
INLET	DEG F	122.00	122.00
TEMPERATURE	DEG C	50.00	50.00
AMBIENT	PSIA	13.67	13.67
PRESSURE	"HG	27.84	27.84
	" W.G.	378.49	378.49
	kg/cm2	0.96	0.96
INTAKE	PSIA	13.67	13.67
PRESSURE	"HG	0.00	0.00
(Gauge Pressures)	" W.G.	0.00	0.00
	kg/cm2	0.00	0.00
	Psig	0.00	0.00
DISCHARGE	DEG F	246.06	246.06
TEMPERATURE	DEG C	118.92	118.92
DISCHARGE	PSIA	33.67	33.67
PRESSURE	"HG	40.72	40.72
(Gauge Pressures)	" W.G.	553.68	553.68
	kg/cm2	1.41	1.41
	PSIG	20.00	20.00
COMPRESSION RATIO		2.46	2.46
PRESSURE	PSI	20.00	20.00
DIFFERENTIAL	"HG	40.72	40.72
	"mm W.G.	553.68	553.68
	kg/cm2	1.41	1.41
INLET COOLANT	DEG F	122.00	122.00
TEMPERATURE	DEG C	50.00	50.00
COOLANT FLOW(H2O)	GPM	0.00	1.26
COOLANT FLOW(GLYCOL)	GPM	0.00	1.49
AIR VOL. EFFICIENCY		0.00%	89.11%
GAS VOL. EFFICIENCY		0.00%	90.04%

FUL-VANE
 COMPRESSOR SIZING
 OUTPUT

19-Oct-06

CO2/C3H8

COMPRESSOR SIZE		c70	
GAS	CO2/C3H8		
GAS M.W.	44.035		
GAS S.G.	1.52		
GAS Cp/Cv	1.20		
OPERATING SPEED	RPM	0.00	0 1000.00 Max
CAPACITY	ICFM	0.00	371.44
AT	SCFM	0.00	308.65
INTAKE	SCFD	0.00E+00	4.44E+05
	M3/MIN	0.00	8.74
POWER	BHP	0.00	34.40
CONSUMPTION	KW	0.00	25.65
INLET	DEG F	122.00	122.00
TEMPERATURE	DEG C	50.00	50.00
AMBIENT	PSIA	13.67	13.67
PRESSURE	"HG	27.84	27.84
	" W.G.	378.49	378.49
	kg/cm2	0.96	0.96
INTAKE	PSIA	13.67	13.67
PRESSURE	"HG	0.00	0.00
(Gauge Pressures)	" W.G.	0.00	0.00
	kg/cm2	0.00	0.00
	Psig	0.00	0.00
DISCHARGE	DEG F	246.06	246.06
TEMPERATURE	DEG C	118.92	118.92
DISCHARGE	PSIA	33.67	33.67
PRESSURE	"HG	40.72	40.72
(Gauge Pressures)	" W.G.	553.68	553.68
	kg/cm2	1.41	1.41
	PSIG	20.00	20.00
COMPRESSION RATIO		2.46	2.46
PRESSURE	PSI	20.00	20.00
DIFFERENTIAL	"HG	40.72	40.72
	"mm W.G.	553.68	553.68
	kg/cm2	1.41	1.41
INLET COOLANT	DEG F	122.00	122.00
TEMPERATURE	DEG C	50.00	50.00
COOLANT FLOW(H2O)	GPM	0.00	2.91
COOLANT FLOW(GLYCOL)	GPM	0.00	3.43
AIR VOL. EFFICIENCY		0.00%	89.11%
GAS VOL. EFFICIENCY		0.00%	90.04%

FUL-VANE
 COMPRESSOR SIZING
 OUTPUT

13-Oct-06

CO2/C3H8

COMPRESSOR SIZE		c70	
GAS		CO2/C3H8	
GAS M.W.		44.035	
GAS S.G.		1.52	
GAS Cp/Cv		1.20	
OPERATING SPEED	RPM	0.00	0 839.06 Design
CAPACITY	ICFM	295.84	295.84
AT	SCFM	245.83	245.83
INTAKE	SCFD	3.54E+05	3.54E+05
	M3/MIN	6.96	6.96
POWER	BHP	0.00	39.95
CONSUMPTION	KW	0.00	29.79
INLET	DEG F	122.00	122.00
TEMPERATURE	DEG C	50.00	50.00
AMBIENT	PSIA	13.67	13.67
PRESSURE	"HG	27.84	27.84
	" W.G.	378.49	378.49
	kg/cm2	0.96	0.96
INTAKE	PSIA	13.67	13.67
PRESSURE	"HG	0.00	0.00
(Gauge Pressures)	" W.G.	0.00	0.00
	kg/cm2	0.00	0.00
	Psig	0.00	0.00
DISCHARGE	DEG F	299.90	299.90
TEMPERATURE	DEG C	148.83	148.83
DISCHARGE	PSIA	53.67	53.67
PRESSURE	"HG	81.44	81.44
(Gauge Pressures)	" W.G.	1107.36	1107.36
	kg/cm2	2.81	2.81
	PSIG	40.00	40.00
COMPRESSION RATIO		3.93	3.93
PRESSURE	PSI	40.00	40.00
DIFFERENTIAL	"HG	81.44	81.44
	"mm W.G.	1107.36	1107.36
	kg/cm2	2.81	2.81
INLET COOLANT	DEG F	122.00	122.00
TEMPERATURE	DEG C	50.00	50.00
COOLANT FLOW(H2O)	GPM	0.00	3.38
COOLANT FLOW(GLYCOL)	GPM	0.00	3.98
AIR VOL. EFFICIENCY		0.00%	84.72%
GAS VOL. EFFICIENCY		0.00%	85.47%

FUL-VANE
 COMPRESSOR SIZING
 OUTPUT

13-Oct-06

CO2/C3H8

COMPRESSOR SIZE		c70	
GAS	CO2/C3H8		
GAS M.W.	44.035		
GAS S.G.	1.52		
GAS Cp/Cv	1.20		
OPERATING SPEED	RPM	0.00	0 500.00 Min
CAPACITY	ICFM	0.00	176.29
AT	SCFM	0.00	146.49
INTAKE	SCFD	0.00E+00	2.11E+05
	M3/MIN	0.00	4.15
POWER	BHP	0.00	22.27
CONSUMPTION	KW	0.00	16.61
INLET	DEG F	122.00	122.00
TEMPERATURE	DEG C	50.00	50.00
AMBIENT	PSIA	13.67	13.67
PRESSURE	"HG	27.84	27.84
	" W.G.	378.49	378.49
	kg/cm2	0.96	0.96
INTAKE	PSIA	13.67	13.67
PRESSURE	"HG	0.00	0.00
(Gauge Pressures)	" W.G.	0.00	0.00
	kg/cm2	0.00	0.00
	Psig	0.00	0.00
DISCHARGE	DEG F	299.90	299.90
TEMPERATURE	DEG C	148.83	148.83
DISCHARGE	PSIA	53.67	53.67
PRESSURE	"HG	81.44	81.44
(Gauge Pressures)	" W.G.	1107.36	1107.36
	kg/cm2	2.81	2.81
	PSIG	40.00	40.00
COMPRESSION RATIO		3.93	3.93
PRESSURE	PSI	40.00	40.00
DIFFERENTIAL	"HG	81.44	81.44
	"mm W.G.	1107.36	1107.36
	kg/cm2	2.81	2.81
INLET COOLANT	DEG F	122.00	122.00
TEMPERATURE	DEG C	50.00	50.00
COOLANT FLOW(H2O)	GPM	0.00	1.89
COOLANT FLOW(GLYCOL)	GPM	0.00	2.22
AIR VOL. EFFICIENCY		0.00%	84.72%
GAS VOL. EFFICIENCY		0.00%	85.47%

FUL-VANE
COMPRESSOR SIZING
OUTPUT

13-Oct-06

CO2/C3H8

COMPRESSOR SIZE		c70	
GAS		CO2/C3H8	
GAS M.W.		44.035	
GAS S.G.		1.52	
GAS Cp/Cv		1.20	
OPERATING SPEED	RPM	0.00	0 1000.00 Max
CAPACITY	ICFM	0.00	352.58
AT	SCFM	0.00	292.99
INTAKE	SCFD	0.00E+00	4.22E+05
	M3/MIN	0.00	8.30
POWER	BHP	0.00	49.07
CONSUMPTION	KW	0.00	36.59
INLET	DEG F	122.00	122.00
TEMPERATURE	DEG C	50.00	50.00
AMBIENT	PSIA	13.67	13.67
PRESSURE	"HG	27.84	27.84
	" W.G.	378.49	378.49
	kg/cm2	0.96	0.96
INTAKE	PSIA	13.67	13.67
PRESSURE	"HG	0.00	0.00
(Gauge Pressures)	" W.G.	0.00	0.00
	kg/cm2	0.00	0.00
	Psig	0.00	0.00
DISCHARGE	DEG F	299.90	299.90
TEMPERATURE	DEG C	148.83	148.83
DISCHARGE	PSIA	53.67	53.67
PRESSURE	"HG	81.44	81.44
(Gauge Pressures)	" W.G.	1107.36	1107.36
	kg/cm2	2.81	2.81
	PSIG	40.00	40.00
COMPRESSION RATIO		3.93	3.93
PRESSURE	PSI	40.00	40.00
DIFFERENTIAL	"HG	81.44	81.44
	"mm W.G.	1107.36	1107.36
	kg/cm2	2.81	2.81
INLET COOLANT	DEG F	122.00	122.00
TEMPERATURE	DEG C	50.00	50.00
COOLANT FLOW(H2O)	GPM	0.00	4.15
COOLANT FLOW(GLYCOL)	GPM	0.00	4.89
AIR VOL. EFFICIENCY		0.00%	84.72%
GAS VOL. EFFICIENCY		0.00%	85.47%

FUL-VANE
 COMPRESSOR SIZING
 OUTPUT

28-Feb-07

CO2/C3H8

4 oz .5 psi drop

COMPRESSOR SIZE		c70	
GAS		CO2/C3H8	
GAS M.W.		44.035	
GAS S.G.		1.52	
GAS Cp/Cv		1.20	
OPERATING SPEED		RPM	0.00 0 856.96
CAPACITY		ICFM	301.35 301.35
AT		SCFM	245.83 245.83
INTAKE		SCFD	3.54E+05 3.54E+05
		M3/MIN	6.96 6.96
POWER		BHP	0.00 40.82
CONSUMPTION		KW	0.00 30.44
INLET		DEG F	122.00 122.00
TEMPERATURE		DEG C	50.00 50.00
AMBIENT		PSIA	13.67 13.67
PRESSURE		"HG	27.84 27.84
		" W.G.	378.49 378.49
		kg/cm2	0.96 0.96
INTAKE		PSIA	13.42 13.42
PRESSURE		"HG	-0.51 -0.51
(Gauge Pressures)		" W.G.	-6.92 -6.92
		kg/cm2	-0.02 -0.02
		Psig	-0.25 -0.25
DISCHARGE		DEG F	302.12 302.12
TEMPERATURE		DEG C	150.07 150.07
DISCHARGE		PSIA	53.67 53.67
PRESSURE		"HG	81.95 81.95
(Gauge Pressures)		" W.G.	1114.28 1114.28
		kg/cm2	2.81 2.81
		PSIG	40.00 40.00
COMPRESSION RATIO			4.00 4.00
PRESSURE		PSI	40.25 40.25
DIFFERENTIAL		"HG	82.46 82.46
		"mm W.G.	1121.20 1121.20
		kg/cm2	2.83 2.83
INLET COOLANT		DEG F	122.00 122.00
TEMPERATURE		DEG C	50.00 50.00
COOLANT FLOW(H2O)		GPM	0.00 3.46
COOLANT FLOW(GLYCOL)		GPM	0.00 4.07
AIR VOL. EFFICIENCY			0.00% 84.50%
GAS VOL. EFFICIENCY			0.00% 85.25%

FUL-VANE
 COMPRESSOR SIZING
 OUTPUT

28-Feb-07

4oz 3psi drop

CO2/C3H8

COMPRESSOR SIZE		c70	
GAS	CO2/C3H8		
GAS M.W.	44.035		
GAS S.G.	1.52		
GAS Cp/Cv	1.20		
OPERATING SPEED	RPM	0.00	0 842.58
CAPACITY	ICFM	296.92	296.92
AT	SCFM	245.83	245.83
INTAKE	SCFD	3.54E+05	3.54E+05
	M3/MIN	6.96	6.96
POWER CONSUMPTION	BHP	0.00	40.12
	KW	0.00	29.92
INLET TEMPERATURE	DEG F	122.00	122.00
	DEG C	50.00	50.00
AMBIENT PRESSURE	PSIA	13.67	13.67
	"HG	27.84	27.84
	" W.G.	378.49	378.49
	kg/cm2	0.96	0.96
INTAKE PRESSURE (Gauge Pressures)	PSIA	13.62	13.62
	"HG	-0.10	-0.10
	" W.G.	-1.38	-1.38
	kg/cm2	0.00	0.00
	Psig	-0.05	-0.05
DISCHARGE TEMPERATURE	DEG F	300.34	300.34
	DEG C	149.08	149.08
DISCHARGE PRESSURE (Gauge Pressures)	PSIA	53.67	53.67
	"HG	81.54	81.54
	" W.G.	1108.74	1108.74
	kg/cm2	2.81	2.81
	PSIG	40.00	40.00
COMPRESSION RATIO		3.94	3.94
PRESSURE DIFFERENTIAL	PSI	40.05	40.05
	"HG	81.64	81.64
	"mm W.G.	1110.13	1110.13
	kg/cm2	2.82	2.82
INLET COOLANT TEMPERATURE	DEG F	122.00	122.00
	DEG C	50.00	50.00
COOLANT FLOW(H2O)	GPM	0.00	3.40
COOLANT FLOW(GLYCOL)	GPM	0.00	4.00
AIR VOL. EFFICIENCY		0.00%	84.68%
GAS VOL. EFFICIENCY		0.00%	85.43%

FUL-VANE
 COMPRESSOR SIZING
 OUTPUT

28-Feb-07

702 .5 psidrop

CO2/C3H8

COMPRESSOR SIZE		c70	
GAS		CO2/C3H8	
GAS M.W.		44.035	
GAS S.G.		1.52	
GAS Cp/Cv		1.20	
OPERATING SPEED		RPM	0.00 0 843.47
CAPACITY		ICFM	297.20 297.20
AT		SCFM	245.83 245.83
INTAKE		SCFD	3.54E+05 3.54E+05
		M3/MIN	6.96 6.96
POWER CONSUMPTION		BHP	0.00 40.17
		KW	0.00 29.95
INLET TEMPERATURE		DEG F	122.00 122.00
		DEG C	50.00 50.00
AMBIENT PRESSURE		PSIA	13.67 13.67
		"HG	27.84 27.84
		" W.G.	378.49 378.49
		kg/cm2	0.96 0.96
INTAKE PRESSURE (Gauge Pressures)		PSIA	13.61 13.61
		"HG	-0.13 -0.13
		" W.G.	-1.73 -1.73
		kg/cm2	0.00 0.00
		Psig	-0.06 -0.06
DISCHARGE TEMPERATURE		DEG F	300.45 300.45
		DEG C	149.14 149.14
DISCHARGE PRESSURE (Gauge Pressures)		PSIA	53.67 53.67
		"HG	81.57 81.57
		" W.G.	1109.09 1109.09
		kg/cm2	2.81 2.81
		PSIG	40.00 40.00
COMPRESSION RATIO			3.94 3.94
PRESSURE DIFFERENTIAL		PSI	40.06 40.06
		"HG	81.69 81.69
		"mm W.G.	1110.82 1110.82
		kg/cm2	2.82 2.82
INLET COOLANT TEMPERATURE		DEG F	122.00 122.00
		DEG C	50.00 50.00
COOLANT FLOW(H2O)	GPM	0.00	3.40
COOLANT FLOW(GLYCOL)	GPM	0.00	4.00
AIR VOL. EFFICIENCY		0.00%	84.67%
GAS VOL. EFFICIENCY		0.00%	85.42%

FUL-VANE
 COMPRESSOR SIZING
 OUTPUT

28-Feb-07

7 oz .3psi drop

CO2/C3H8

COMPRESSOR SIZE		c70	
GAS		CO2/C3H8	
GAS M.W.		44.035	
GAS S.G.		1.52	
GAS Cp/Cv		1.20	
OPERATING SPEED		RPM	0.00 0 829.53
CAPACITY		ICFM	292.89 292.89
AT		SCFM	245.83 245.83
INTAKE		SCFD	3.54E+05 3.54E+05
		M3/MIN	6.96 6.96
POWER		BHP	0.00 39.49
CONSUMPTION		KW	0.00 29.44
INLET TEMPERATURE		DEG F	122.00 122.00
		DEG C	50.00 50.00
AMBIENT PRESSURE		PSIA	13.67 13.67
		"HG	27.84 27.84
		" W.G.	378.49 378.49
		kg/cm2	0.96 0.96
INTAKE PRESSURE (Gauge Pressures)		PSIA	13.81 13.81
		"HG	0.28 0.28
		" W.G.	3.81 3.81
		kg/cm2	0.01 0.01
		Psig	0.14 0.14
DISCHARGE TEMPERATURE		DEG F	298.70 298.70
		DEG C	148.17 148.17
DISCHARGE PRESSURE (Gauge Pressures)		PSIA	53.67 53.67
		"HG	81.16 81.16
		" W.G.	1103.55 1103.55
		kg/cm2	2.81 2.81
		PSIG	40.00 40.00
COMPRESSION RATIO			3.89 3.89
PRESSURE DIFFERENTIAL		PSI	39.86 39.86
		"HG	80.88 80.88
		"mm W.G.	1099.75 1099.75
		kg/cm2	2.80 2.80
INLET COOLANT TEMPERATURE		DEG F	122.00 122.00
		DEG C	50.00 50.00
COOLANT FLOW(H2O)	GPM	0.00	3.34
COOLANT FLOW(GLYCOL)	GPM	0.00	3.93
AIR VOL. EFFICIENCY		0.00%	84.84%
GAS VOL. EFFICIENCY		0.00%	85.60%