

ALBERTA MUNICIPAL AFFAIRS
 ABSA - the pressure equipment safety authority
 200, 4208 - 97 Street
 Edmonton, Alberta T6E 5Z9



A 540866
MANUFACTURER'S DATA REPORT
FOR PRESSURE VESSELS

Partial/Partiel

Upon shipment of a pressure vessel, this form fully and correctly filled in must be mailed to the office of the Chief Inspector in the province of installation in accordance with the regulations under the Act, governing the construction and installation of pressure vessels.

Manufactured By Name & address of Manufacturer	R.J.V. Gas Field Services Ltd. 4901 - 47th Street Vegreville, Alberta T9C 1C3
Manufactured For Name & Address of Purchaser/Consignee	R.J.V. Gas Field Services Ltd. 4901 - 47th Street Vegreville, Alberta T9C 1C3
Ultimate Owner Name & Address	STOCK
Location Of Installation Address	STOCK

Pressure Vessel			
Type: Vertical 3-Phase Separator	Serial Number: 9636	Year Built: 2005	Overall Length: 3150 mm
Provincial Registration No. - C.R.N.: P7217.2	National Board No.: N/A	Drawing No.: V01-381	Diameter: 406 mm O.D.

The chemical and physical properties of all parts meet the requirements of material specifications of the A.S.M.E. code.

The design, construction and workmanship conform to CSA B51.	ASME 2004 Edition Section VIII	Division: 1	Addenda:	Code Case No.: N/A
--	--------------------------------------	----------------	----------	-----------------------

Manufacturers partial data reports properly identified and signed by authorized inspectors have been furnished for the following items of the report, and attached to this report.

Names of parts:	Item No.:	Manufacturers Name:	Identifying Stamp:

Shell													
Description	Material	Thickness	Corrosion Allowance	Diameter	Overall Length	Number Of Courses	Girth Joints		Longitudinal Joints			P.W.H.T.	
							Type	R.T.	Type	R.T.	Efficiency	Temp.	Time
Shell	SA-106-B	21.44 mm	1.6 mm	406 mm	2285 mm	1	1	RT-2		SMLS	100%		


Heads											
Description	Material	Minimum Thickness	Corrosion Allowance	Crown Radius	Knuckle Radius	Ellipse Ratio	Conical Apex Angle	Hemisph. Radius	Flat Diameter	Side To Pressure	
Top	SA-516-70	20.63mm	1.6 mm			2:1				Concave	
Bottom	SA-516-70	20.63mm	1.6 mm			2:1				Concave	
Removable bolts used (describe other fastenings):							Material Spec.:	Grade:	Size/Dimension:		


Pressure - Temperature				
Pressure Vessel Part:	Constructed for Maximum Allowable Working Pressure:	At Maximum Temperature:	Minimum Temperature (when less than 29° C)	Test Pressure (Hydro/ Pneumatic or combination)
Vessel	10,205 Kpa	38° C	-29° C	15,307 Kpa

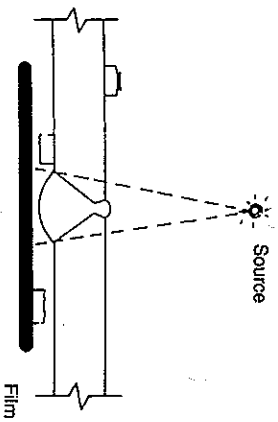
Nozzles and Openings								
Purpose	Number	Dimension	Type	Material	Nominal Thickness	Reinforcement Material	How Attached	Location
Inlet	N1	88.9 mm	RFWN	SA-106-B / SA-105	15.24 mm	N/A	UW 16.1(c)	Shell
Outlet	N2	88.9 mm	RFWN	SA-106-B / SA-105	15.24 mm	N/A	UW 16.1(c)	Top Head
Level Controller (Water)	C1	60.3 mm	Coupling	SA-105	CL 6,000	N/A	UW 16.1(c)	Shell
Sight Glass (Water)	C2a&b	26.7 mm	Coupling	SA-105	CL 6,000	N/A	UW 16.1(c)	Shell
Liquid Out (Water)	C3	33.4 mm	Coupling	SA-105	CL 6,000	N/A	UW 16.1(c)	Shell
Press. Indicator	C4	21.4 mm	Coupling	SA-105	CL 6,000	N/A	UW 16.1(c)	Shell
Temperture Indicator	C5	26.7 mm	Coupling	SA-105	CL 6,000	N/A	UW 16.1(c)	Shell
Drain	C6	60.3 mm	Coupling	SA-106-B / SA-105	8.74 mm	N/A	UW 16.1(c)	Bottom Head
P.S.V.	C7	33.4 mm	Coupling	SA-105	CL 6,000	N/A	UW 16.1(c)	Shell
Level Controller (Inspection)	C8	60.3 mm	Coupling	SA-105	CL 6,000	N/A	UW 16.1(c)	Shell
Sight Glass (Oil)	C9a&b	26.7 mm	Coupling	SA-105	CL 6,000	N/A	UW 16.1(c)	Shell
Liquid Out (Oil)	C10	33.4 mm	Coupling	SA-105	CL 6,000	N/A	UW 16.1(c)	Shell
H.L.S.D. (Inspection)	C11	60.3 mm	Coupling	SA-105	CL 6,000	N/A	UW 16.1(c)	Shell

Supports					
Skirt	Lugs / No.	Legs / No.	Other (Description)	Attached (Where And How)	
Yes <input checked="" type="checkbox"/> No <input type="checkbox"/>	N/A	N/A	N/A	Welded To Bottom Head	

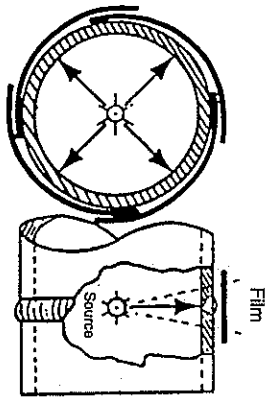
Remarks / Observations	(Cubical Capacity/Volume)
Volume= (.262 cubic meters),	Vertical 3-Phase Separator
Exempt from impact test requirements as per UG 20(f)	
Hydrostatically Tested in the Vertical Position	
Nozzle to Shell Weld is Full Penetration	

Certificate Of Compliance	
We certify that the statements made in this data report are correct and that the said vessel has been constructed in accordance with the Provincial Registered design below and the requirements of standard CSA B51.	
Provincial Registered Design:	CRN P7217.2
Manufacturer:	R.J.V. GAS FIELD SERVICES LTD.
Signature	Date
	AUG 30 2005

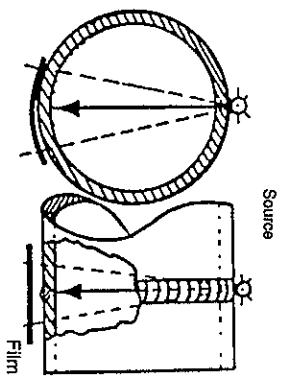
Certificate Of Shop Inspection	
I, the undersigned, a duly authorized Boiler and Pressure Vessel Inspector employed by ABSA, the pressure equipment safety authority have inspected the above vessel and state that to the best of my knowledge and belief, the manufacturer has constructed the vessel in accordance with the Provincial Registration CRN P7217.2 and the requirements of standard CSA B51.	
Inspector's Name:	W.J. BENTLEY
Signature	Date
	AUG 30 2005



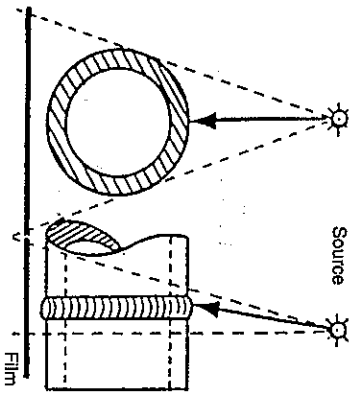
Technique "1"
SWE-SWV



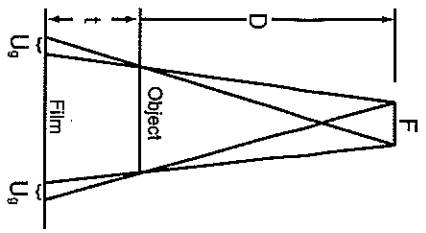
Technique "2"
SWE-SWV



Technique "3"
DWE-SWV



Technique "4"
DWE-DWV



- U_g = Geometric Unsharpness
 - D = source to object distance
 - t = object to film distance
 - F = Focal Spot Size
- $$U_g = Ft/D$$

Note: If t is omitted from this report, the Pipe Schedule shall apply as t.

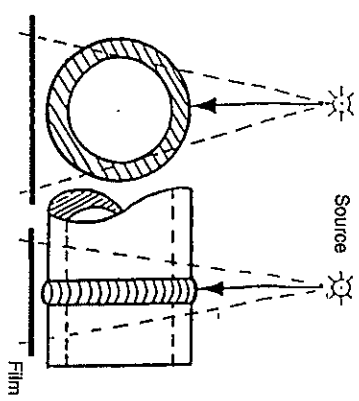
DEFECT LEGEND		OTHER LEGENDS	
CRK	Crack	SWE	Single Wall Exposure
LF	Lack of Fusion	DWE	Double Wall Exposure
IP	Incomplete Penetration	SWV	Single Wall Viewing
P	Porosity	DWV	Double Wall Viewing
S	Slag	EXP	Exposures
UC	Undercut	REIN	Reinforcement
CR	Concave Root	DIA	Diameter
EP	Excessive Penetration	SOD	Source Object Distance
BT	Burn Through	OFD	Object to Film Distance
HB	Hollow Bead		
PH	Pinhole		

SCOPE OF SERVICES:

The agreement of Canspec to perform services extends only to those services provided for in writing. Under no circumstances shall such services extend beyond the performance of the requested inspection of specific equipment provided for in writing and the preparation of reports or similar documents reflecting the inspection data obtained or the opinion formulated on the basis of such inspection. It is expressly understood that all descriptions, comments and expressions of opinion reflect the opinion or observations of the examiner and are not intended nor can they be construed as representations or warranties as to the actual circumstances. Canspec is not assuming any responsibilities of the owner/operator and the owner/operator retains complete responsibility for the engineering, repair and use decisions as a result of the inspection data or other information provided by Canspec. In no event shall Canspec's liability in respect of the services referred to herein exceed the amount paid for such services.

STANDARD OF CARE:

In performing the services provided, Canspec uses the degree, care and skill ordinarily exercised under similar circumstances by others performing such services in the same or similar locality. No other warranty, expressed or implied, is made or intended by Canspec.



Technique "5"
DWE-DWV

Authorized Inspector to be given travel sheet prior to construction so that he can indicate hold points with an asterik (*)

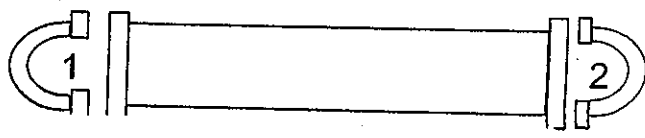
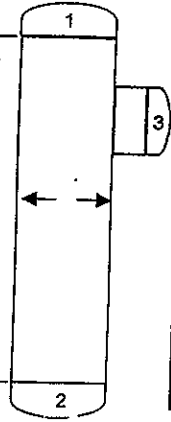
Hold points established - Sign & Date _____

(Authorized Inspector)

Vessel Serial # 10232 DWG # V8505 Rev.2 (A) # _____
 Vessel Title 8" Fuel Gas Scrubber CRN # F6388.2

ITEM	COMMENTS	AUTH. INS. HOLD POINTS	DATE FUNCTION COMPLETE & INSPECTORS INITIALS	
			QC INSPECTOR	AUTHORIZED INSPECTOR
APPROVED DRAWING			FEB 23 2006	DC
MATERIAL CHECKED AGAINST DRAWING, MATERIAL LIST			FEB 23 2006	DC
MILL TESTS CHECKED			FEB 23 2006	DC
VESSEL LAYOUT			FEB 27 2006	DC
NOZZLES & FITTING	ORIENTATION		FEB 27 2006	DC
	RATINGS		FEB 27 2006	DC
FIT UP	NOZZLES & FITTINGS		FEB 27 2006	DC
	SHELL & HEAD		MAR 01 2006	DC
INTERNALS (tray, baffles, etc.)			FEB 27 2006	DC
INTERNAL INSPECTION		(*)	FEB 27 2006	DC
WELD SIZES			MAR 01 2006	DC
WELDERS I.D.			MAR 01 2006	DC
EXTERNAL AFTER COMPLETION OF ALL WELDING			MAR 01 2006	DC
RADIOGRAPHS			MAR 01 2006	DC
OTHER N.D.E.				
MPACT TESTS				
PHWT CHART CHECKED				
NAMEPLATE			MAR 01 2006	DC
HYDROSTATIC TEST		(*)	MAR 06 2006	DC
NATA REPORT			MAR 06 2006	DC

		SPECIFICATION	HEAT NUMBER	THICKNESS
SHELL	C1	SA-106-B	P911792	8.1 mm
	C2			
	C3			
HEADS	1	SA-234-WPB	04M30009	7.16 mm
	2	SA-516-70	5205488N-C515332	19.05 mm
	3			
REPADS	1			
	2			
	3			
		SPECIFICATION	SIZE	SCHEDULE
NOZZLES				
FITTINGS		SA-105	1", 2"	#3000 cplg.
TUBES				



W
BT-2

CERTIFIED BY

RJV

**GAS FIELD
SERVICES LTD**

VEGREVILLE, ALBERTA
PHONE (403) 632-7774

A540866

UNIT NAME

Vert. 3 Phase Separator

C. R. NO.

SERIAL NO.

P7217.2

9636

M.A.W.P.

HYDRO TEST

DESIGN TEMP.

1480 p.s.i.
10204 Kpa

2220 p.s.i.
15307 Kpa

100 °F
38 °C

CORR. ALLOW.

HEAT TREATMENT

SIZE

1.6 mm

Nil

406 x 2285 mm

SHELL MAT'L

HEAD MAT'L

WEIGHT

SA-106-B

SA-516-70

685 Kg

SHELL THICK.

M. D. M. T.

21.44 mm

HEAD THICK.

DATE MFG.

-20 °F

20.63 mm

2005-08

-29 °C