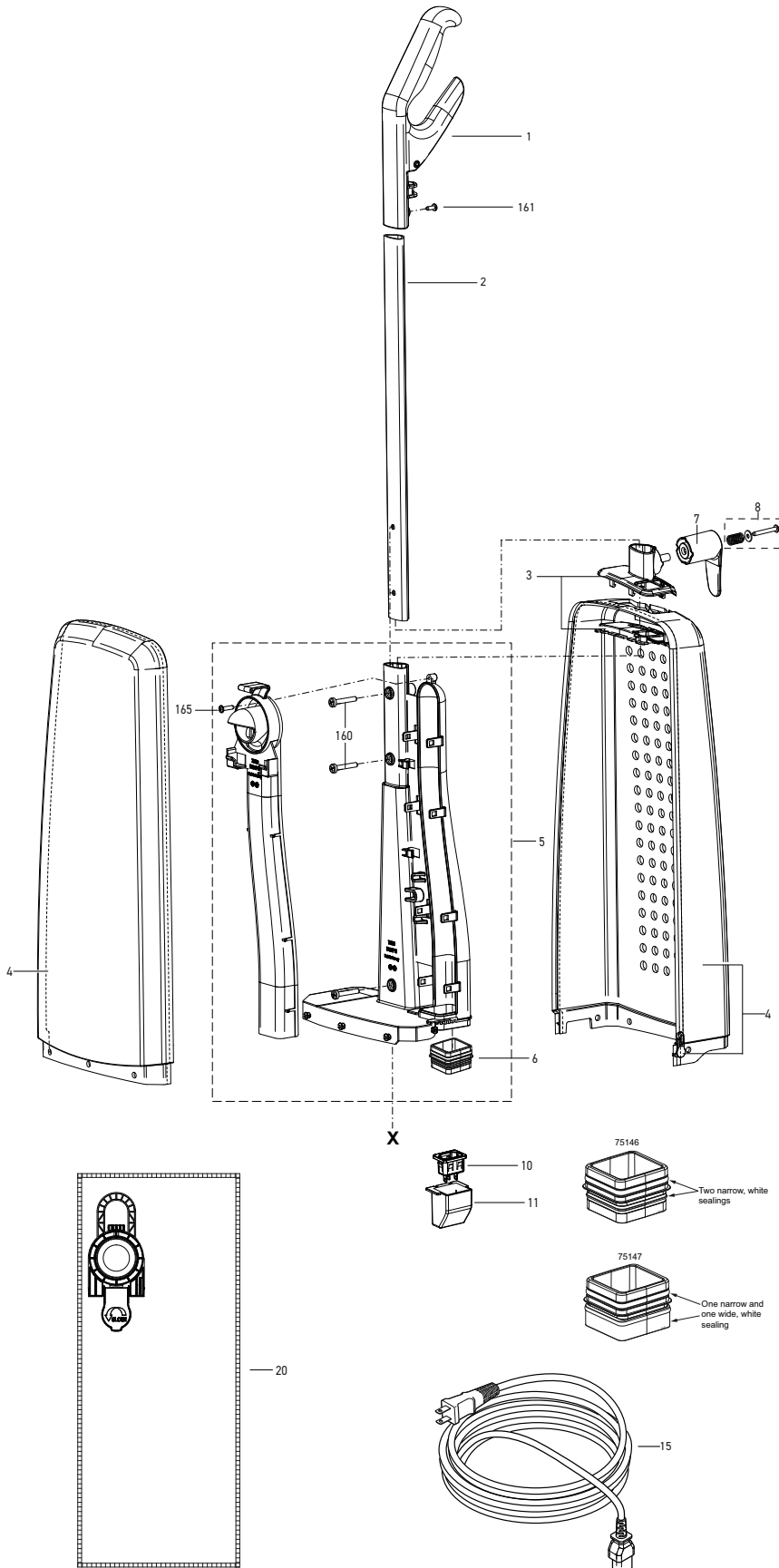


# SOFTCASE CE12 LIGHTWEIGHT

#94251AM SOFTCASE CE12 Lightweight - USA  
 #94251FC SOFTCASE CE12 Lightweight - Canada



## Bag Housing and Handle

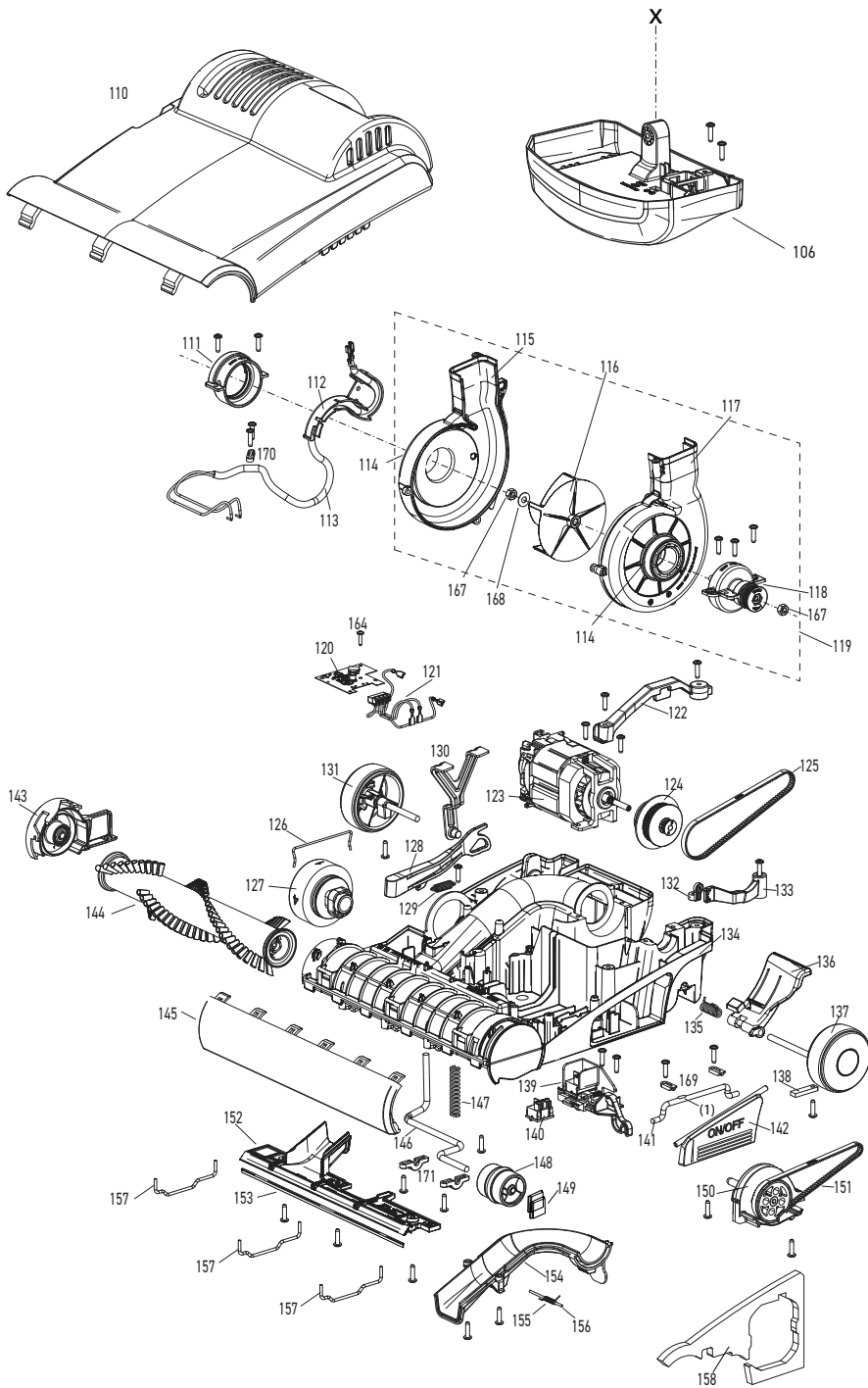
#94251AM SOFTCASE CE12 Lightweight - USA  
 #94251FC SOFTCASE CE12 Lightweight - Canada  
 Arctic White/Black Machine

Pos.	Part #	Description
1	75103GS	Grip SOFTCASE CE, cpl., gray black
2	75033	Handle rod SOFTCASE CE, 557mm
3	75156GS	Handle guide, 2 pcs., gray black
4	75101	Bag housing, assembled
5	75102ER	Air guide, complete, assembled
6	75146	Sealing adapter, cable
7	75026GS	Cable hook, gray black
8	75158ER	Mounting set cable hook
10	8177ER	Mains connector, 2-wire
11	75032GS	Protection cover
15	75031	Cable, 2-wire, 9,25m 2x17 AWG, US-plug
20	75175AM	Filter bag (8 x 75150)
160	0111	Screw AM5x30, 7985
161	0127	Screw M4x10, DIN 7985
165	01036	AMTEC screw M4x14, TX 20

All screws without item number = 01016

# SOFTCASE CE12 LIGHTWEIGHT

#94251AM SOFTCASE CE12 Lightweight - USA  
 #94251FC SOFTCASE CE12 Lightweight - Canada



(1) When mounting, marking on this side

## Power Head

#94251AM SOFTCASE CE12 Lightweight - USA  
 #94251FC SOFTCASE CE12 Lightweight - Canada  
 Arctic White/Black Machine

Pos.	Part #	Description
106	75229WESE	Central support, arctic white, assem.
110	75289CEER	Top cover SEBO SOFTCASE CE12, arctic white
111	75129	Swivel neck support, r.h.
112	75066GS	Cable channel
113	75117	Swivel neck cable, 2-wire
114	75067	Swivel neck support bushing
115	75064GS	Blower housing rh, gray black
116	75060HE	Rotor, light ivory
117	75063GS	Blower housing lh, gray black
118	75116	Swivel neck support, l.h., cpl.
119	75138ER	Blower/swivel neck, gray black, assembled
120	75126ER	PCB 120 V~
121	75118	Motor cabling, 2-wire for 2-wire & 3-wire machines
122	75080HG	Motor bridge, light gray
123	75053ER	Motor 120 V~
124	75110ER	Torque sensor, SOFTCASE
125	2923	Toothed belt 333 HTD 3M 6
126	75059	Latching bracket
127	75076OR	Selector brush height
128	75086	Slider height adjustment
129	4019	Spring
130	75122	Support lever
131	75112GS	Wheel w/axle, assembled
132	75096ER	Magnet support, assembled
133	75079ER	Magnet lever, assembled
134	75133SE	Bottom unit
135	75093	Spring foot pedal
136	75062OR	Foot pedal
137	75119GS	Wheel w/axle foot pedal, lh
138	2849	Bracket
139	75124ER	Switching unit, assembled
140	05112ER	Rocker switch
141	75094	Switching rod
142	75061OR	On/Off button
143	75114GS	Bearing block rh
144	5010AM	Brush roller 31 cm
145	75068GS	Bumper SOFTCASE, gray black
146	75095	Pile adjustment axle
147	75090	Spring pile adjustment
148	75121GS	Pile adjustment wheel, assembled
149	5155GS	Rubbing plate
150	75113	Bearing block lh
151	75098	Toothed belt 318 HTD 3M 6
152	75134GS	Rear base plate
153	5400-4	Sealing strip SOFTCASE, 259 mm
154	75120SE	Cover air channel, gray black/orange
155	5304	Spring
156	2910	Bearing pin
157	5402	Wire tie, long
158	75097UL	Air separator
160	0111	Pan head screw AM 5x30 4.8
161	0127	Screw M4 x 10
162	01016	Pan head screw STS 4x16 T20
163	01021	Pan head screw, F 3,9x13
164	01029	Screw C 2,9x13 DIN 7981
165	01036	AMTEC screw M4x14, TX 20
166	01037	Screw 3,0x16, TX 10
167	0262ER	Nut M6, left hand thread
168	0150ER	Washer B 4,3 DIN 9021
169	2494ER	Plastic bracket
170	1030UL	Strain relief
171	75075ER	Axle bracket

All screws without item number = 01016