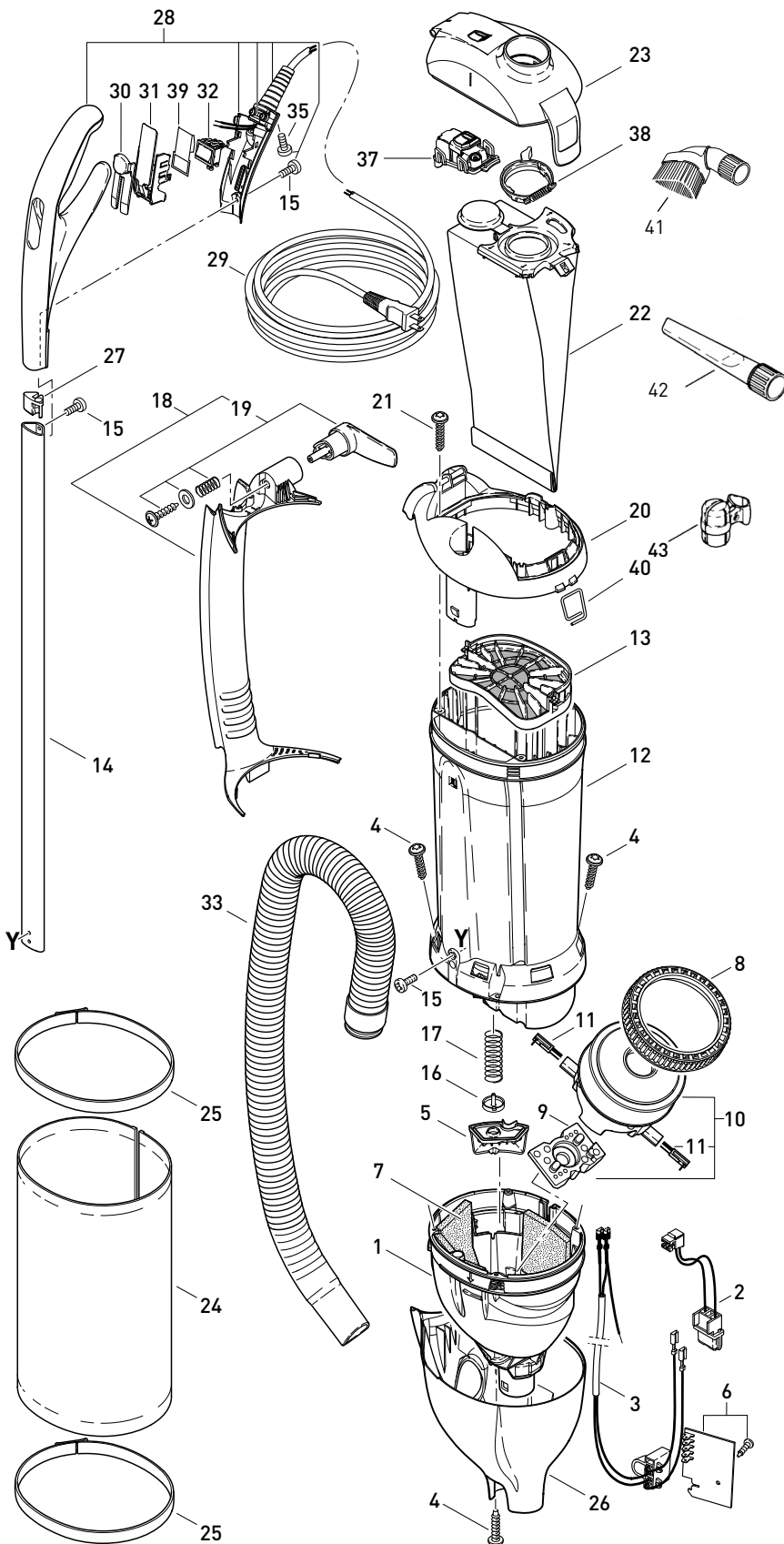


DART SCHEMATIC AND PARTS LIST

#9855AM DART - Arctic White (White/Dark Blue)



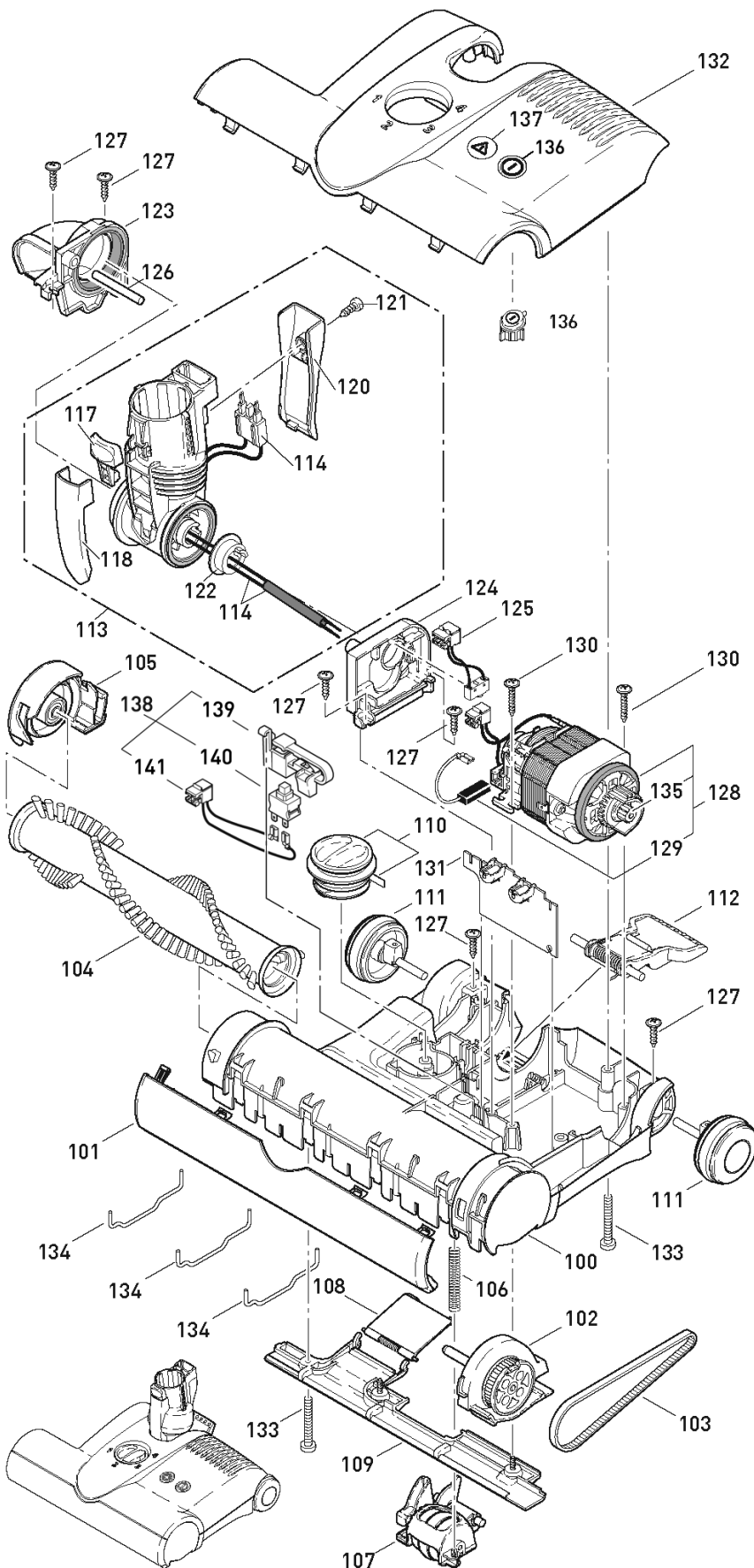
Bag Housing and Handle

9855AM DART Arctic White (White/Dark Blue)

Pos.	Part #	Description
1	7002GS	Air duct
2	7064	Internal wiring ET
3	7070	Internal cable
4	01016	Screw STS 4x16 - T20
5	7057HG	Valve cover
6	7102ER	Printed circuit board 120V
7	7098	Sound insulation
8	1047	VAC motor seal
9	7009	Motor mount
10	7041ER	VAC motor 1000 Watts
11	05140S	Carbon brush set
12	7143ER	Bag housing
13	7012AM	Pre-motor filter
14	7080ER	Handle tube
15	0127	Screw M 4x10K
16	7025	Valve disc
17	7028ER	Valve spring set
18	7090WE	Hose duct, arctic white
19	7027WE	Cable hook
20	7092WE	Cover, bag housing
21	01017	Screw STS 4x20 - T20
22	7029AM	AeraPure™ filter bag
23	7091WE	Filter cover, white
24	7095ER08	Exhaust filter, marine blue
25	7017GS	Exhaust filter clamp, gray black
26	7169AM	Lower housing, arctic white
27	7076GS	Tube plug
28	7164WE	Handle complete w/screws
29	7127DG	Cable, two wire
30	7035GS	Sliding button
31	7178WE	Handle frame
32	05138	Rocker switch, 2-pol.
33	7050SB	Hose
35	01036	Screw 4 x 14
37	7094ER	Filter Indicator, cpl.
38	7018OR	Retaining ring w/spring
39	7142	Protection film
40	7024ER	Spring
41	1387GS	Dusting Brush
42	1092GS	Crevice nozzle
43	7097GS	Double attachment clip, gray black

DART SCHEMATIC AND PARTS LIST

#9855AM DART - Arctic White (White/Dark Blue)



Power Head

9855AM DART Arctic White (White/Dark Blue)

Pos.	Part #	Description
100	2324GS	Chassis ET-1
101	2302GS	Bumper, cpl.
102	2314GS	Bearing block, left cpl.
103	2923	Belt 333 3M HTDII-6
104	5010AM	Brush roller, cpl.
105	2313GS	Bearing block, right cpl.
106	2929	Spring
107	2316GS	Pile adjustment assembly, cpl.
108	2909VO	Access door w/axle & spring
109	2304GS	Rear bottom plate, cpl.
110	2931GS	Pile adjustment button
111	2306GS	Wheel, cpl.
112	2937OR	Foot pedal w/axle & spring
113	2309GS	Neck assembly, cpl. - DART
114	0876ER	Wiring neck
117	1737GS	Release button w/leaf spring
118	2962GS	Button cover
120	2961GS	Socket cover, TS-neck
121	01027	Screw F 3.9x9.5
122	2954	Swivel neck bearing
123	2311	Swivel neck support, right
124	2312	Swivel neck support, left
125	0880	Safety switch w/ wiring
126	2928	Axle
127	01021	Screw F 3.9x13
128	2973ER	Brush motor 120V 175W w/pulley
129	05141S	Carbon brush set
130	01020	Screw F 3.9x21
131	2684ER	Controller board ET1, 120V, 175W
132	2331WEAM	Power head cover, arctic white
133	0176TL	Screw AM 4x30
134	5402	Wire tie
135	2319	Motor pulley
136	2957	On/off button/lens
137	2956	Lens right
138	2959ER	Switch cpl. (incl. 139-141)
139	2958ER	Lever w/leaf spring
140	05114	Switch 2-pole
141	0881	Wire